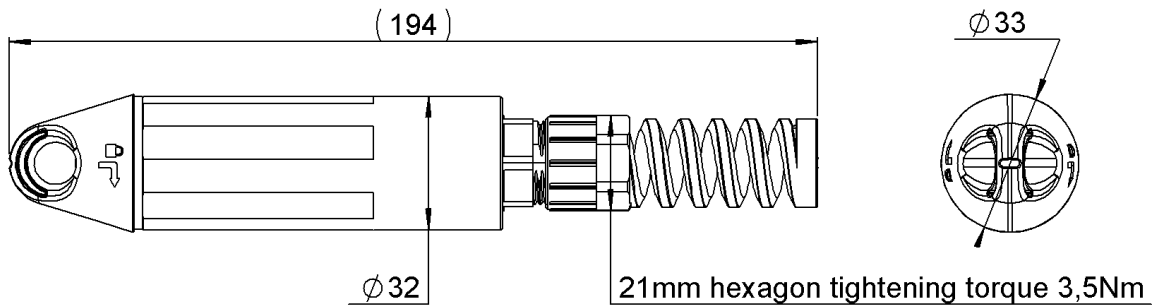
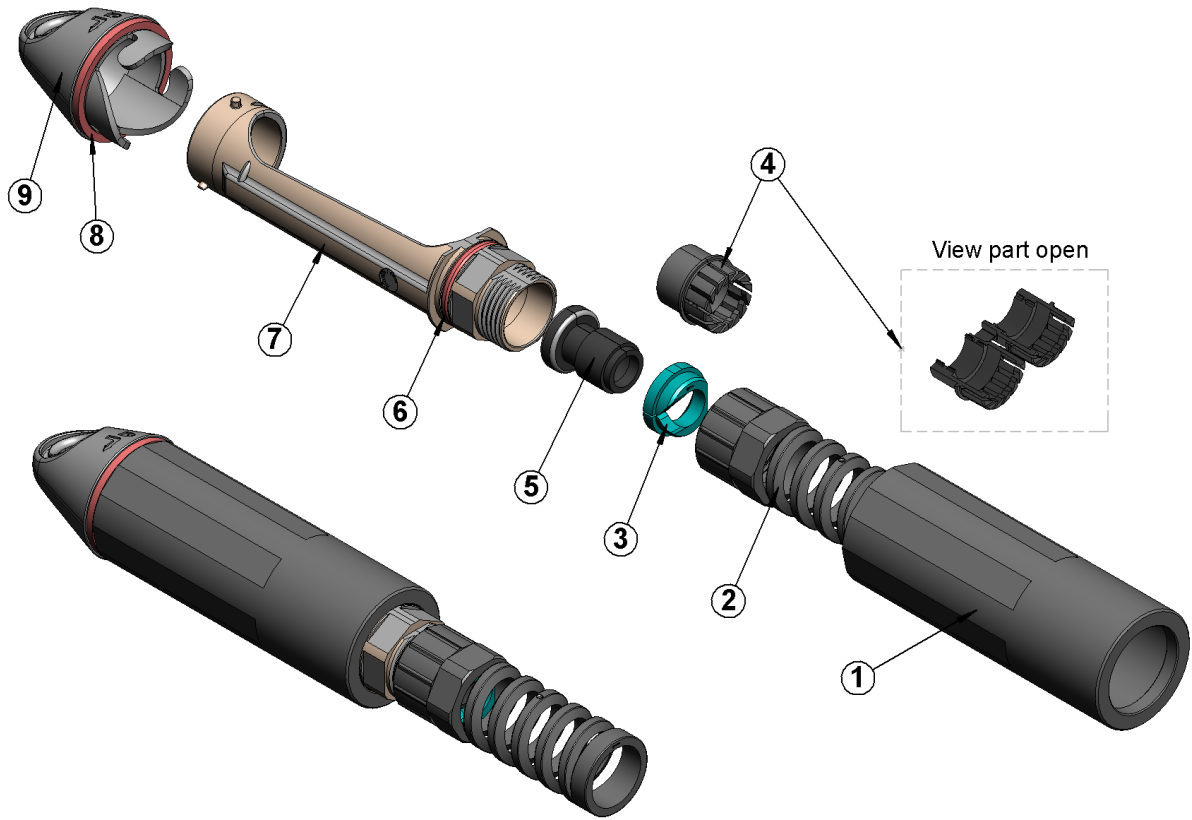


PAGE 1/6	ISSUE 04-01-19C	SERIES R2CT	PART NUMBER R2CT115000
----------	-----------------	-------------	------------------------



All dimensions are in mm. Tolerances according ISO 2768 m-H

DESCRIPTION

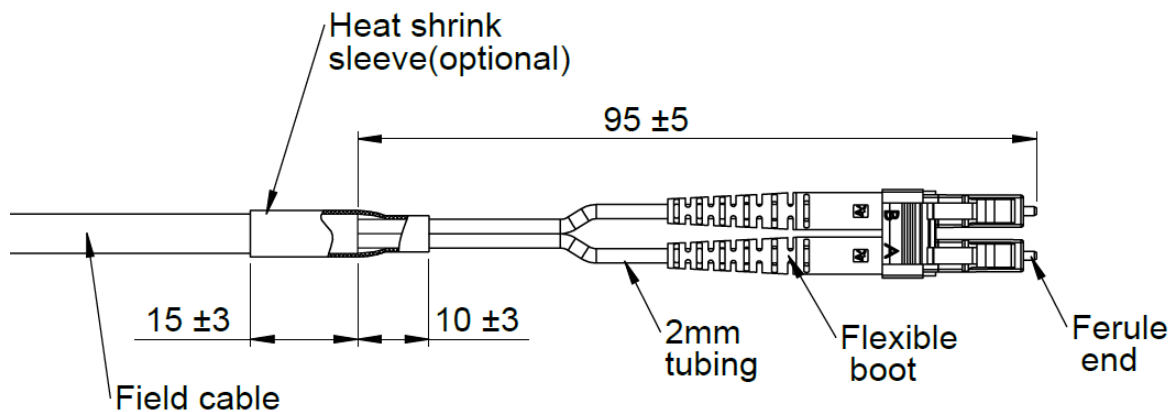
REP	COMPONENT	MATERIALS	PLATING
1	COUPLING NUT	ALUMINIUM	NONE
2	NUT TAIL OF PIG	PA6.6 GF	NA
3	TIGHTENING CONE	PA6.6	NA
4	CLAMP NUT ELASTIC SHELL	PA6.6	NA
5	CLAMP SPLIT GASKET	NITRILE (NBR)	NA
6	O-RING BODY GASKET	SILICONE	NA
7	PLUG BODY	ZAMAK	NICKEL
8	GASKET SEALING CAP	SILICONE	NA
9	PLUG PROTECTION CAP	PBT GF	NA

PAGE 2/6	ISSUE 04-01-19C	SERIES R2CT	PART NUMBER R2CT115000
----------	-----------------	-------------	------------------------

GENERAL CHARACTERISTICS

Mechanical Mating endurance Tensile load Vibration	IEC 61300-2-2 IEC 61300-2-4 -	100 cycles 200N compliant
Environmental Protection class Operating temperature RoHS	IEC 60529 IEC 61300-2-22 -	IP65 -40°C to +85°C Compliant
Compatibility	All types of optical cable assemblies with field cable : LC duplex, multimode or singlemode Diameter of field cable: 4,8 to 7 mm. For other cable diameter, contact us.	
Packaging	Unitary plastic bag 180mm*130mm	

FAN OUT DIMENSIONS

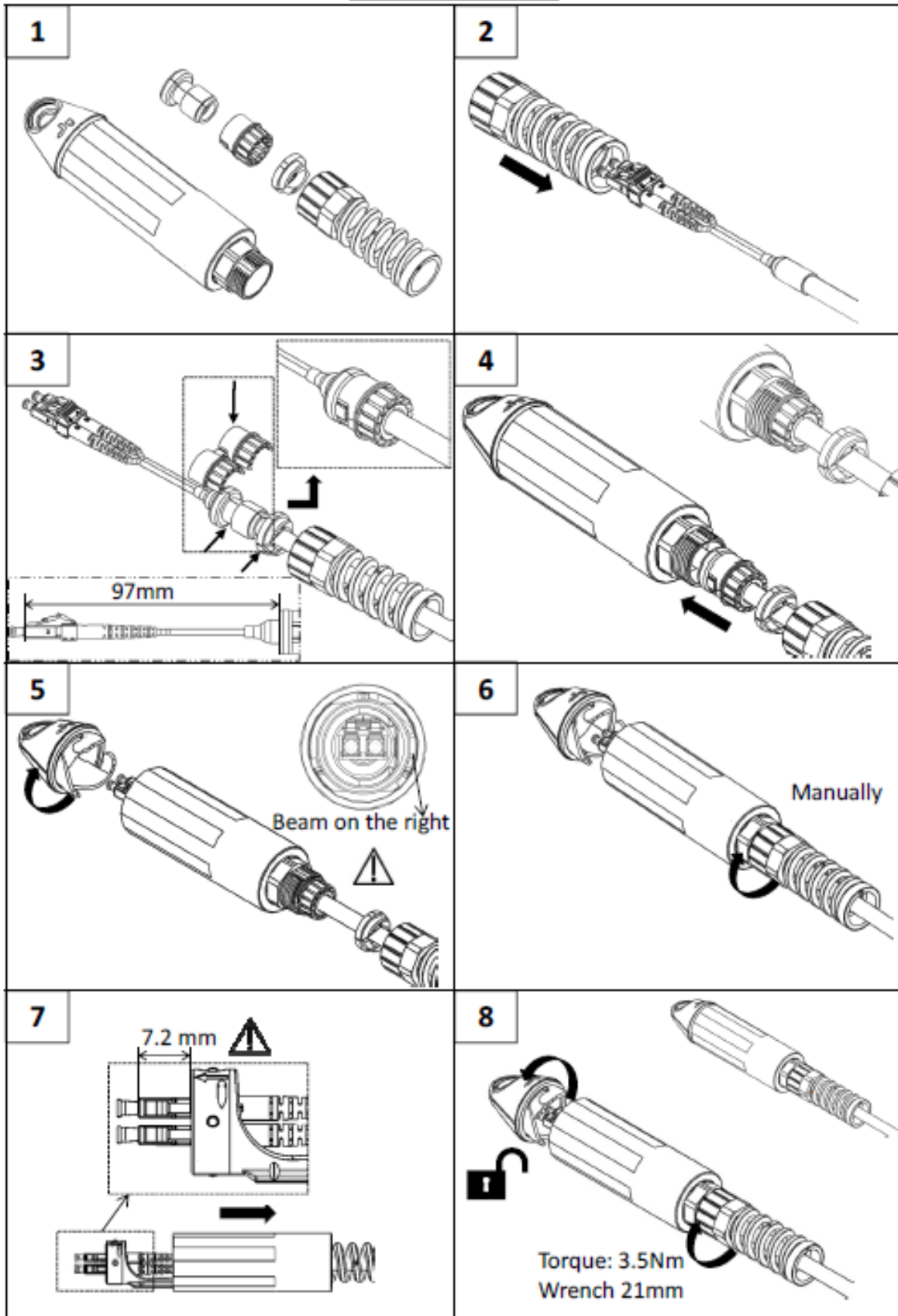


VALIDATION PLAN

<i>Parameter</i>	<i>Specification</i>
OPTICAL	
Insertion Loss	IEC 61300-3-4
Return Loss	IEC 61300-3-6
MECHANICAL	
Mating Endurance	IEC 61300-2-2
Vibrations	IEC 61300-2-1
Shocks	IEC 61300-2-9
ENVIRONMENTAL	
Ingress Protection	IEC 60529
Temperature cycling	IEC 61300-2-22
Salt Mist	IEC 61300-2-26

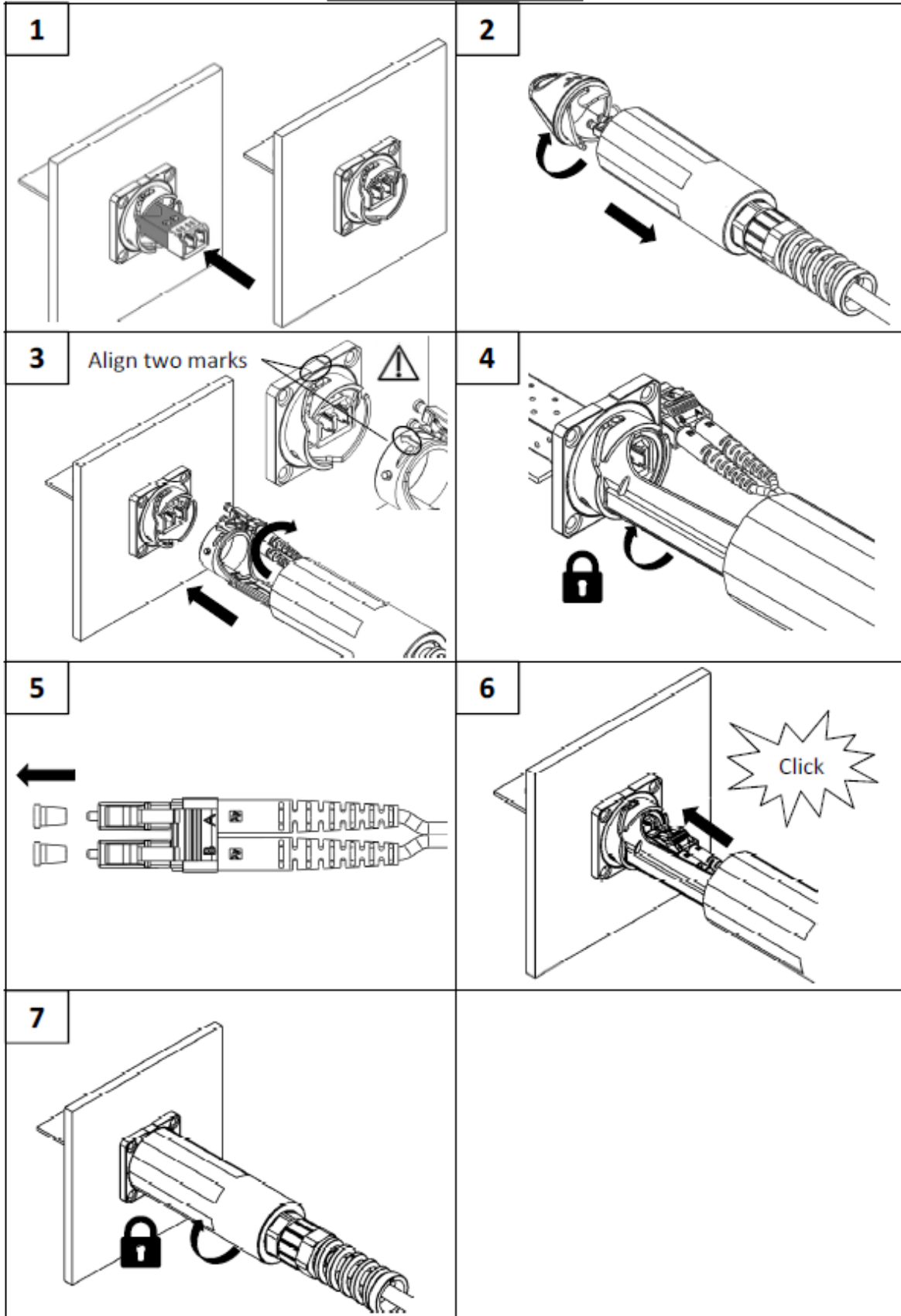
PAGE 3/6	ISSUE 04-01-19C	SERIES R2CT	PART NUMBER R2CT115000
----------	-----------------	-------------	------------------------

ASSEMBLY INSTRUCTION



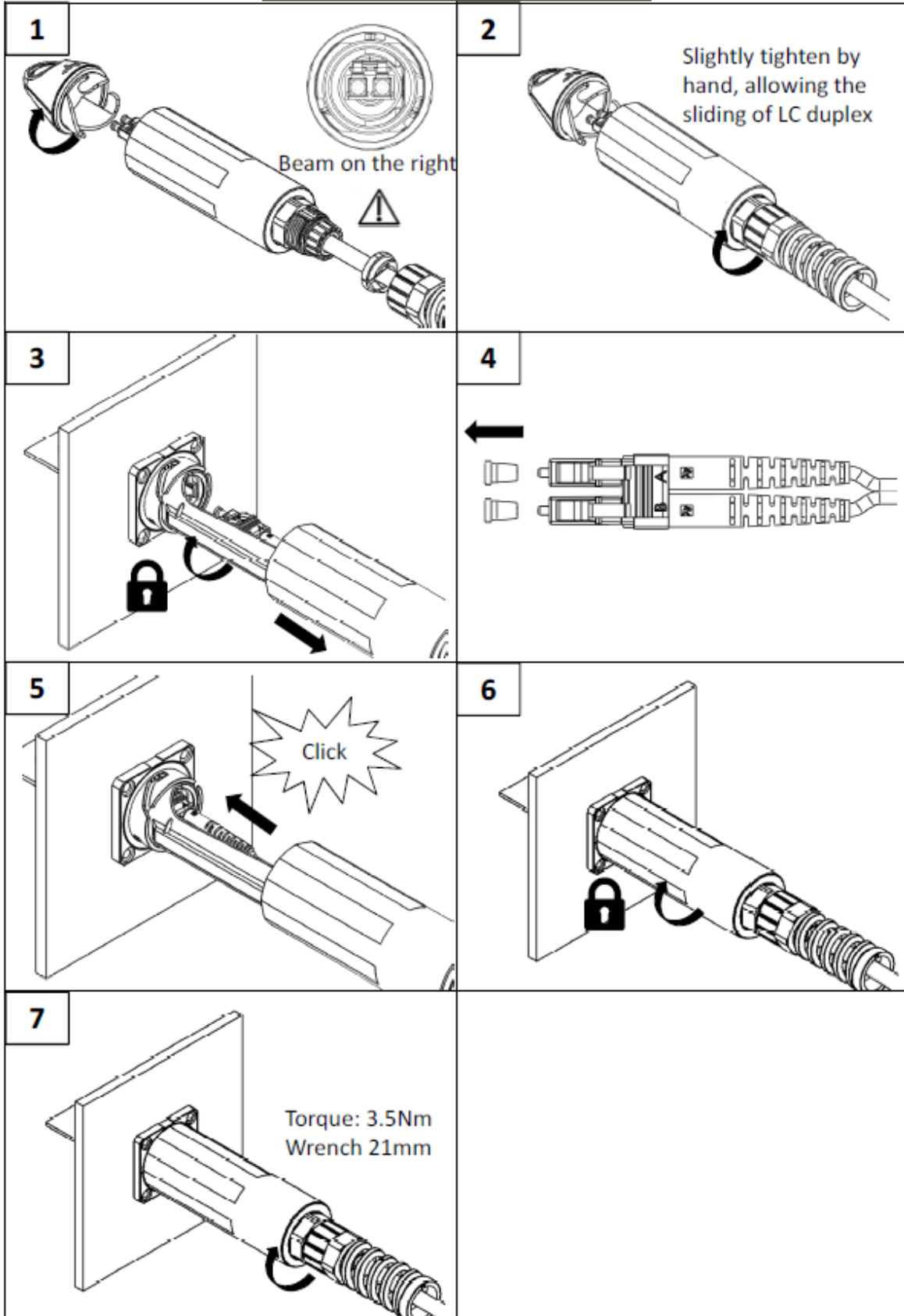
PAGE 4/6	ISSUE 04-01-19C	SERIES R2CT	PART NUMBER R2CT115000
----------	-----------------	-------------	------------------------

MATING SEQUENCE – OPTION 1



PAGE 5/6	ISSUE 04-01-19C	SERIES R2CT	PART NUMBER R2CT115000
----------	-----------------	-------------	------------------------

ASSEMBLY AND MATING SEQUENCE - OPTION 2



PAGE 6/6	ISSUE 04-01-19C	SERIES R2CT	PART NUMBER R2CT115000
----------	-----------------	-------------	------------------------

DISASSEMBLY SEQUENCE

