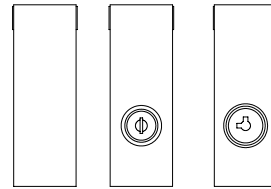
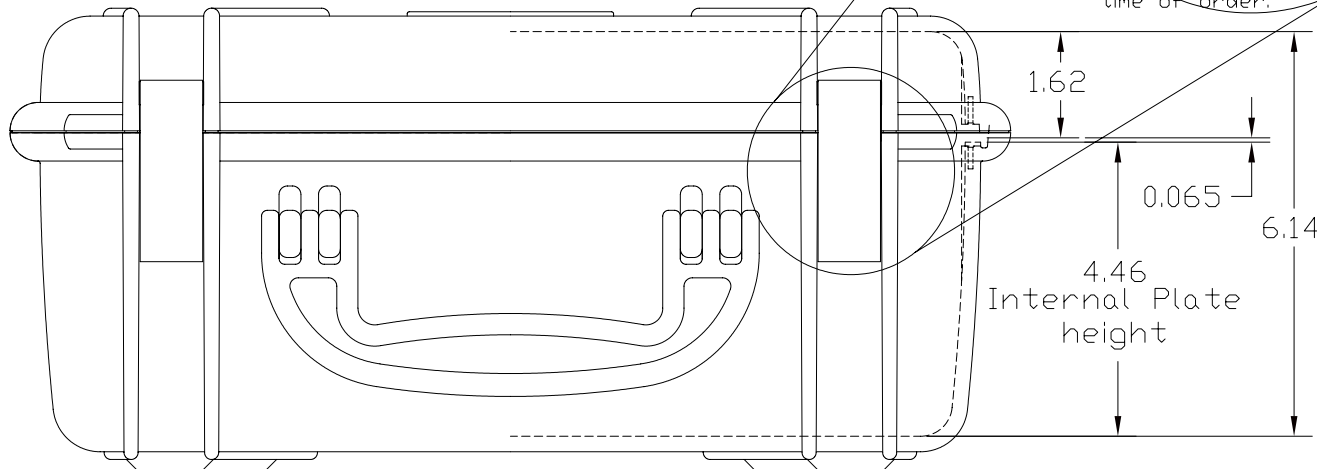


Options for latches



STD MLL PLL

Note:
Must be specified at
time of order.



Note:
Max. usable inside dimensions are:
13.72" X 10.07" X 6.14"
dim. are aprox. (curved enclosure)

07-05-02

ALL DIMENSIONS ±.010