

20 19 18 17 16 15 14 13 12 11 9 8 7 6 5 4 3 2 1

VIEW ON MATING SIDE

○	Z	Z	A	A	A	A	A	A	A	A	A	A	A	A	A	A	A	A	A	Z	A	A	A	A	A	A	A	A	A	A	A	A	A
○	Z	A	A	A	A	A	A	A	A	A	A	A	A	A	A	A	A	A	A	A	A	A	A	A	A	A	A	A	A	A	A	A	A
○	Z	Z	A	A	A	A	A	A	A	A	A	A	A	A	A	A	A	A	A	Z	A	A	A	A	A	A	A	A	A	A	A	A	
	-	2	3	4	5	6	7	8	9	10	11	12	13	14	15	16	17	18	19	20	21	22	23	24	25	26	27	28	29	30	31	32	

A = 89 STANDARD CONTACTS L = 2,9  
 Z = 7 FMLB CONTACTS +0,6 L = 2,9  
 S = 96 TOTAL NUMBER OF CONTACTS

MARKING	STANDARD
PERFORMANCE LEVEL	G/I/O = CONTACT AREA PERFORM. LEVEL I / TERMINATION TIN
FLUX PROOF	NO
FIXING CLIP	NO
DIMENSIONS	SD-85013-0001 SHT 1

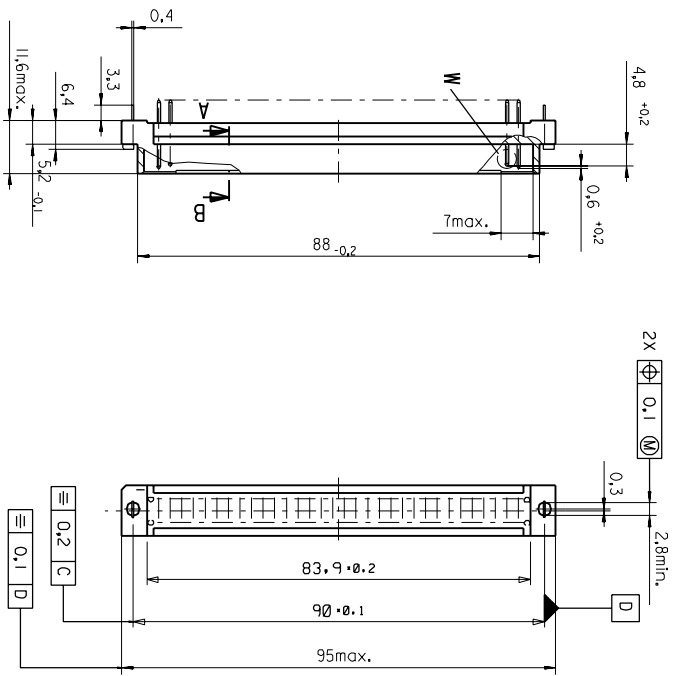
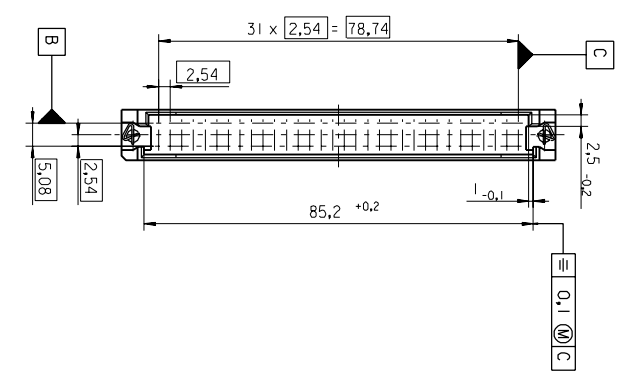
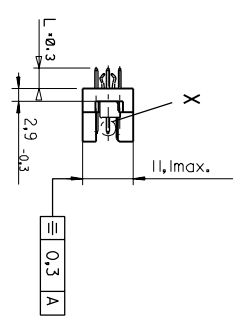
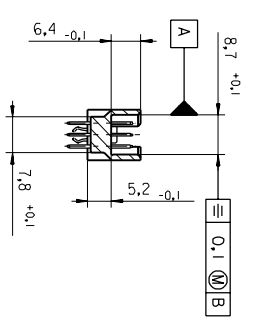
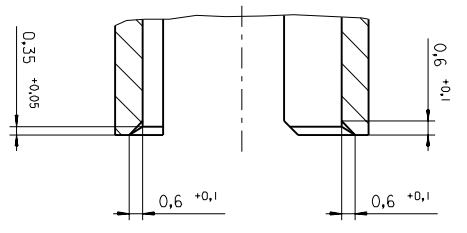
Z	G/I/O	a1,2,24	b1	c1,2,24
A	G/I/O	a3-23,25-32	b2-32	c3-23,25-32
CONTACT SYMBOL	PERFORMANCE LEVEL	CONTACT POSITION NUMBER		

EC NO. I 2004-XXXX DRAWN N.S. 31/03/04 CHK'd G.L. 31/03/04 APPR. G.L. 31/03/04	QUALITY SYMBOLS MAJOR $\nabla$ CRITICAL $\nabla$	GENERAL TOLERANCES: (UNLESS SPECIFIED): mm    INCH 4 PLACES $\pm 0,1$ $\pm$ 3 PLACES $\pm 0,1$ $\pm$ 2 PLACES $\pm 0,1$ $\pm$ 1 PLACE $\pm 0,1$ $\pm$	SCALE DESIGN UNITS <input checked="" type="checkbox"/> MM <input type="checkbox"/> INCH	THIRD ANGLE PROJECTION <input type="checkbox"/> FIRST ANGLE <input checked="" type="checkbox"/> THIRD ANGLE	DIMENSIONS: <input type="checkbox"/> MM <input type="checkbox"/> INCH <input checked="" type="checkbox"/> MM ONLY <input type="checkbox"/> INCH ONLY	SHT 1    REV REVISE ON CAD ONLY
	DESCRIPTION B	DRAWN BY & DATE N.S. 17/09/01	TITLE: 96 POS MALE CONNECTOR ACCORDING DIN 41612 STYLE R CONTACTS ARRANGEMENT			
	CHECKED BY & DATE G.L. 17/09/01	APPROVED BY & DATE G.L. 17/09/01	MOLEX INCORPORATED			
	CAD FILENAME SD-85013-3081.S01	MATERIAL NO. 85013-3081	DRAWING NO. SD-85013-3081	SHEET NO. 1 OF 1		
DRAFT WHERE APPLICABLE MUST REMAIN WITHIN DIMENSIONS		THIS DRAWING CONTAINS INFORMATION THAT IS PROPRIETARY TO MOLEX INCORPORATED AND SHOULD NOT BE USED WITHOUT WRITTEN PERMISSION.				

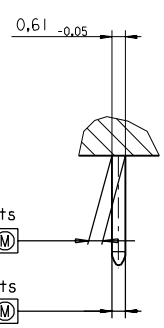
24-border.DGN REV 4 96/06/12 LEVEL 6 19 18 17 16 15 14 13 12 11 10 9 8 7 6 5 4 3 2 1

PART NO.  
DWG. NO.

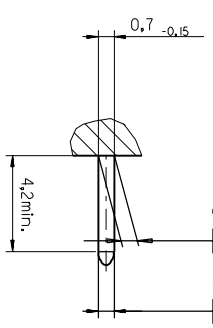
Section A - B  
5:1



View X  
5:1



View W  
5:1



first release see ECN No. 1887
<b>REVISIONS</b>
FOR PREVIOUS REVISIONS SEE MRI LIST
LTR

<b>FIRST ANGLE PROJECTION</b>	
UNLESS OTHERWISE SPECIFIED TOLERANCES ANGULAR #2	INCH
3 PLACE ± .	±
2 PLACE ± .	±
1 PLACE ± .	±
DRAFT WHERE APPLICABLE MUST REMAIN WITHIN DIMENSIONS	
DESIGN DIMENSION	<input checked="" type="checkbox"/> MM
EQUIVALENT DIMENSION	<input type="checkbox"/> IN.
SCALE	1:1

DRWG BY	CHK'D BY	SION
BY	KN	SION

<b>REVISE ONLY ON CAD SYSTEM</b>		SH. REV.
GRAB PROJECT NAME 850300 S11	TITLE 96 pos. Male connector acc. DIN 41612 Style R Dimensions	
THIS DRAWING CONTAINS INFORMATION THAT IS PROPRIETARY TO MOLEX INC. & SHOULD NOT BE USED WITHOUT WRITTEN PERMISSION		
PART NO.	SHEET NO.	DATE
MOLEX EUROPE	1 OF	95/06/07
DAWG. NO.		SIZE
SDA-85013-0001		B

7132-1283 10 9 8 7 6 5 4 3 2 1

View on mating side

○	Z	Z	A	A	A	A	A	A	A	A	A	A	A	A	A	A	A	A	A	A	Z	A	A	A	A	A	A	A				
○	Z	A	A	A	A	A	A	A	A	A	A	A	A	A	A	A	A	A	A	A	A	A	A	A	A	A	A	A				
○	Z	Z	A	A	A	A	A	A	A	A	A	A	A	A	A	A	A	A	A	A	Z	A	A	A	A	A	A	A				
	1	2	3	4	5	6	7	8	9	10	11	12	13	14	15	16	17	18	19	20	21	22	23	24	25	26	27	28	29	30	31	32

A = 89 standard contacts L=2,9  
 Z = 7 FMLB contacts +0,6 L=2,9  
 S = 96 total number of contacts

Marking	Standard
Performance level	G1/0 = Contact area perform. level I / Termination tin
Flux proof	no
Fixing clip	no
Dimensions	SDA-85013-0001 sht.1
Technical Data	PS-85013-0001

Z	G1/0	a1,2,24	b1	c1,2,24	
A	G1/0	a3-23,25-32	b2-32	c3-23,25-32	
Contact symbol	Perform. level	Contact position number			

first release see ECN No. 2362	REVISIONS	UNLESS OTHERWISE SPECIFIED TOLERANCES: ANGULAR ±2°		DRWG BY	SIGN	REVISIONS		SH.	REV.		
		INCH METRIC		Ca		CAD/CAM PROJECT NAME		THIS DRAWING CONTAINS INFORMATION THAT IS PROPRIETARY TO MOLEX INC. & SHOULD NOT BE USED WITHOUT WRITTEN PERMISSION			
		3 PLACE	± .	±	CHK'D BY	SIGN	TITLE		96 pos. Male connector acc. DIN 41612 style R contacts arrangement		
		2 PLACE	± .	±	KN		MOLEX EUROPE		SHEET NO.	DATE	
		1 PLACE	± .	±	APP'D BY	SIGN	1 OF 1		96/12/16		
A	LTR	DESIGN DIMENSION <input type="checkbox"/> MM <input type="checkbox"/> IN.		SCALE	PART NO.		DWG NO.		SIZE		
		EQUIVALENT DIMENSION <input type="checkbox"/> MM <input type="checkbox"/> IN.		85013-3081		SDA-85013-3081		A			
		IF TWO DIMENSIONS ARE SHOWN THE UPPER IS THE DESIGN DIMENSION, LOWER IS SECONDARY									