

THIS INFORMATION IS CONFIDENTIAL AND PROPRIETARY TO AMP INCORPORATED AND ITS WORLDWIDE SUBSIDIARIES AND AFFILIATES. IT MAY NOT BE DISCLOSED TO ANYONE, OTHER THAN AMP PERSONNEL, WITHOUT WRITTEN AUTHORIZATION FROM AMP INCORPORATED, HARRISBURG, PENNSYLVANIA USA.

DWG NO
1213015


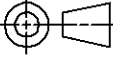
PART NUMBER	REV	FIRST USED
1213015-1	0	680441

USED ON
MINI-APPL

1. IDENTIFY PART PER 115-67-6.

1	1213374-1	BRACKET, SIDE GUARD	3
1	1213475-1	BRACKET, FR GUARD	2
1	1213476-1	GUARD, SIDE	1
QTY	PART NO	DESCRIPTION	ITEM NO

LOC A	FINISH -	
DIST 66		

				DWN D. SALTZER	10FEB98	CHK T. BOZEK	11FEB98	APVD T. ELBIN	10FEB98	
				DIMENSIONS: IN		MATERIAL - HT TR -				
				TOLERANCES UNLESS OTHERWISE SPECIFIED:		 AMP Incorporated Harrisburg, PA 17105-3608				
				 SURFACE TEXTURE ✓		0 PLC ±- 1 PLC ±- 2 PLC ±- 3 PLC ±- 4 PLC ±- ANGLES ±-		NAME GUARD ASSEMBLY		
P	LTR	REVISION RECORD	DATE	DWN	APVD	SCALE -	SIZE A4	DRAWING NO 1213015	SHEET 1 OF 1	REV 0
THIS DRAWING IS A CONTROLLED DOCUMENT FOR AMP INCORPORATED. IT IS SUBJECT TO CHANGE AND THE CONTROLLING ENGINEERING ORGANIZATION SHOULD BE CONTACTED FOR THE LATEST REVISION.										