

Bus system flush-type plug - SACCBP-MSB-2CON-PG9/1,0-910SCO - 1437494

Please be informed that the data shown in this PDF Document is generated from our Online Catalog. Please find the complete data in the user's documentation. Our General Terms of Use for Downloads are valid (<http://phoenixcontact.com/download>)




Bus system flush-type plug, PROFIBUS, 2-pos., M12, shielded, B-coded, SPEEDCON, rear/screw mounting with Pg9 thread, with 1.0 m bus cable, 2 x 0.25 mm²

Your advantages

- ✓ Pre-assembled with cables in various standard lengths for immediate use
- ✓ Customer-specific assemblies and cable lengths can be supplied
- ✓ Sealed on the cable side for optimum tightness of seal
- ✓ Cable designs for all common networks and fieldbuses
- ✓ For high transmission safety: shield connection to the housing with optional EMC nut



Key Commercial Data

| | |
|--------------|---|
| Packing unit | 1 pc |
| GTIN |  4 046356 457620 |
| GTIN | 4046356457620 |

Technical data

Dimensions

| | |
|-----------------|-----|
| Length of cable | 1 m |
|-----------------|-----|

Ambient conditions

| | |
|---------------------------------|----------------------------------|
| Ambient temperature (operation) | -25 °C ... 85 °C (Plug / socket) |
| Degree of protection | IP65/IP67 |

General

| | |
|-----------------------|--|
| Note | The electrical and mechanical data specified assume that the connector pair is correctly locked and mounted. If the connector is unlocked and if there is a danger of contamination, the connector must be sealed using a protective cap > IP54. Influences arising from litz wires, cables or PCB assembly must also be taken into consideration. |
| Rated current at 40°C | 4 A |

Bus system flush-type plug - SACCBP-MSB-2CON-PG9/1,0-910SCO - 1437494

Technical data

General

| | |
|-----------------------------|-------------------------------|
| Rated voltage | 60 V |
| Rated surge voltage | 1.5 kV |
| Number of positions | 2 |
| Insulation resistance | ≥ 100 MΩ |
| Coding | B - inverse |
| Standards/regulations | M12 connector IEC 61076-2-101 |
| Signal type/category | PROFIBUS |
| Status display | No |
| Overvoltage category | II |
| Degree of pollution | 3 |
| Insertion/withdrawal cycles | > 100 |

Material

| | |
|--|------------------------------|
| Flammability rating according to UL 94 | V0 |
| Contact material | CuZn |
| Contact surface material | Ni/Au |
| Contact carrier material | PA 6.6 |
| Material, knurls | Zinc die-cast, nickel-plated |
| Sealing material | FKM |

Standards and Regulations

| | |
|--|-----------------|
| Standard designation | M12 connector |
| Standards/regulations | IEC 61076-2-101 |
| Flammability rating according to UL 94 | V0 |

Cable

| | |
|------------------------------------|--|
| Cable type | PROFIBUS |
| Cable type (abbreviation) | 910 |
| UL AWM style | 21198 (80°C/300 V) |
| Signal type/category | PROFIBUS |
| Cable structure | 1x2xAWG24/19 |
| Conductor cross section | 2x 0.25 mm ² (Signal line) |
| AWG signal line | 24 |
| Conductor structure signal line | 19x 0.13 mm |
| Core diameter including insulation | 2.55 mm ±0.07 mm |
| Wire colors | Red, green |
| Overall twist | 2 cores with 2 fillers to the core |
| Shielding | Plastic-coated aluminum foil, tinned copper braided shield |
| Optical shield covering | 85 % |
| External sheath, color | violet RAL 4001 |
| External cable diameter D | 7.8 mm ±0.2 mm |

Bus system flush-type plug - SACCBP-MSB-2CON-PG9/1,0-910SCO - 1437494

Technical data

Cable

| | |
|---|---|
| Smallest bending radius, fixed installation | 40 mm |
| Smallest bending radius, movable installation | 65 mm |
| Number of bending cycles | 4000000 |
| Bending radius | 65 mm |
| Traversing path | 4.5 m |
| Traversing rate | 3 m/s |
| Acceleration | 3 m/s ² |
| Cable weight | 90 kg/km |
| Outer sheath, material | PUR |
| Material, filler | PP |
| Material conductor insulation | Foam-Skin PP |
| Conductor material | Tin-plated Cu litz wires |
| Insulation resistance | ≥ 5 GΩ*km |
| Conductor resistance | ≤ 78.6 Ω/km |
| Cable capacity | nom. 30 pF/m |
| Wave impedance | 150 Ω ±10 % (3 MHz ... 20 MHz) |
| Attenuation | ≤ 0.049 dB/m (at 16 MHz) |
| Nominal voltage, cable | 30 V |
| Test voltage Core/Core | 1500 V (50 Hz, 1 min.) |
| Test voltage Core/Shield | 1500 V (50 Hz, 1 min.) |
| Flame resistance | UL 1581, Sec. 1060 (FT-1) |
| | IEC 60332-1-2 |
| Halogen-free | in accordance with DIN VDE 0472 part 815 |
| | according to IEC 60754-1 |
| Other resistance | Low adhesion |
| Ambient temperature (operation) | -40 °C ... 80 °C (cable, fixed installation) |
| | -30 °C ... 80 °C (cable, flexible installation) |
| | ≤ 70 °C (cable, drag chain applications) |
| Ambient temperature (storage/transport) | -40 °C ... 80 °C |

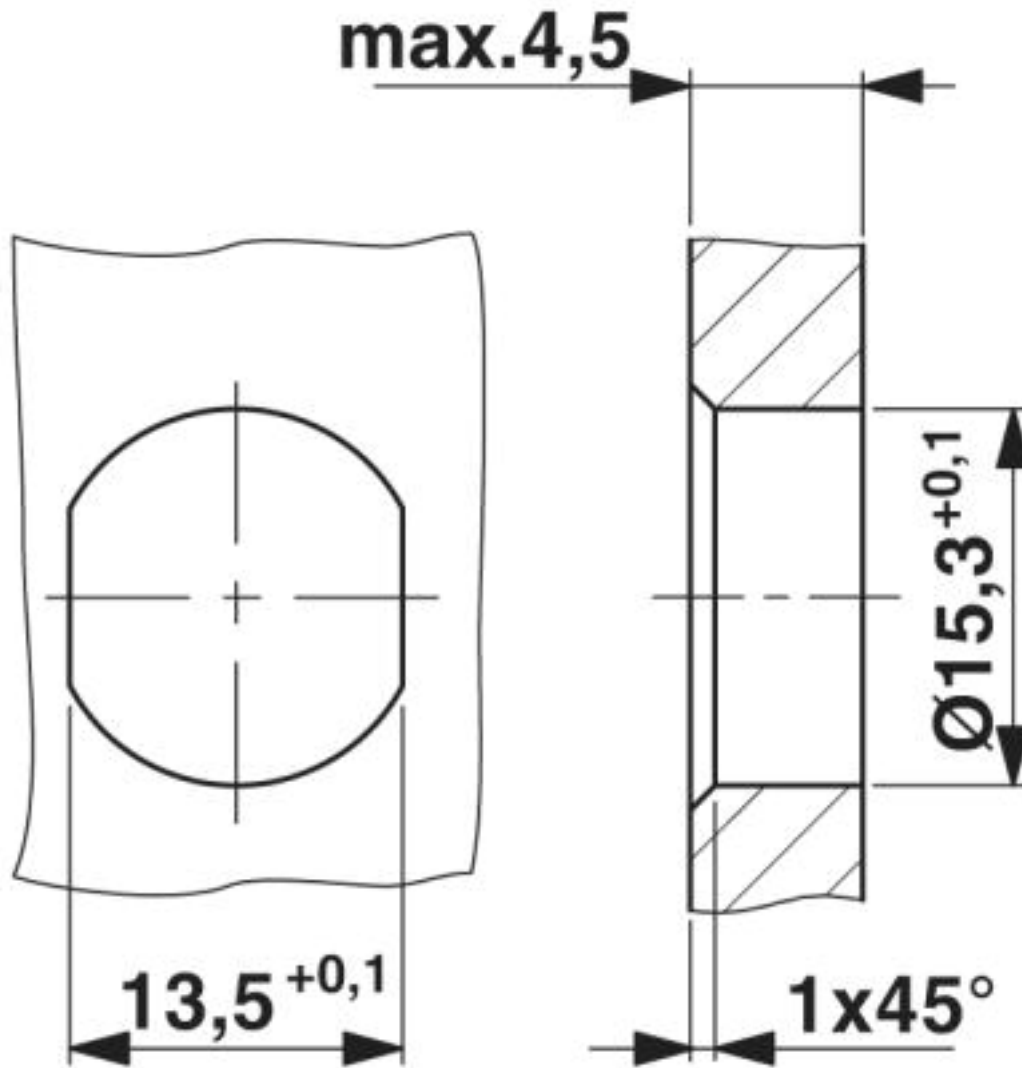
Environmental Product Compliance

| | |
|------------|---|
| China RoHS | Environmentally Friendly Use Period = 50 |
| | For details about hazardous substances go to tab "Downloads", Category "Manufacturer's declaration" |

Drawings

Bus system flush-type plug - SACCBP-MSB-2CON-PG9/1,0-910SCO - 1437494

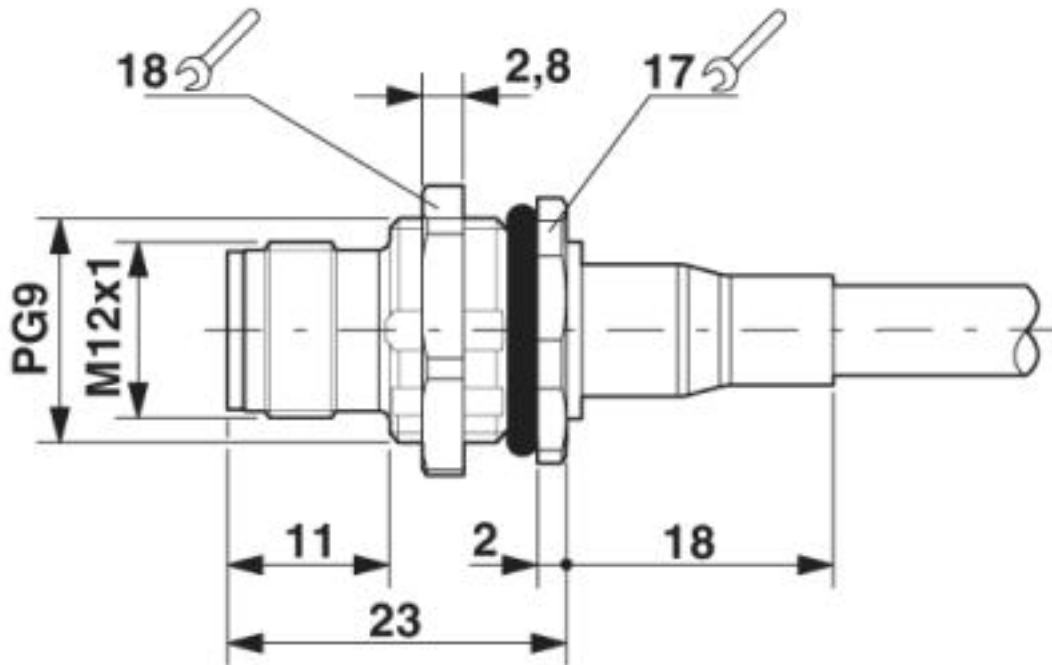
Dimensional drawing



Housing cutout for Pg9 fastening thread, mounting panel with feed-through hole (alternatively with surface as protection against rotation)

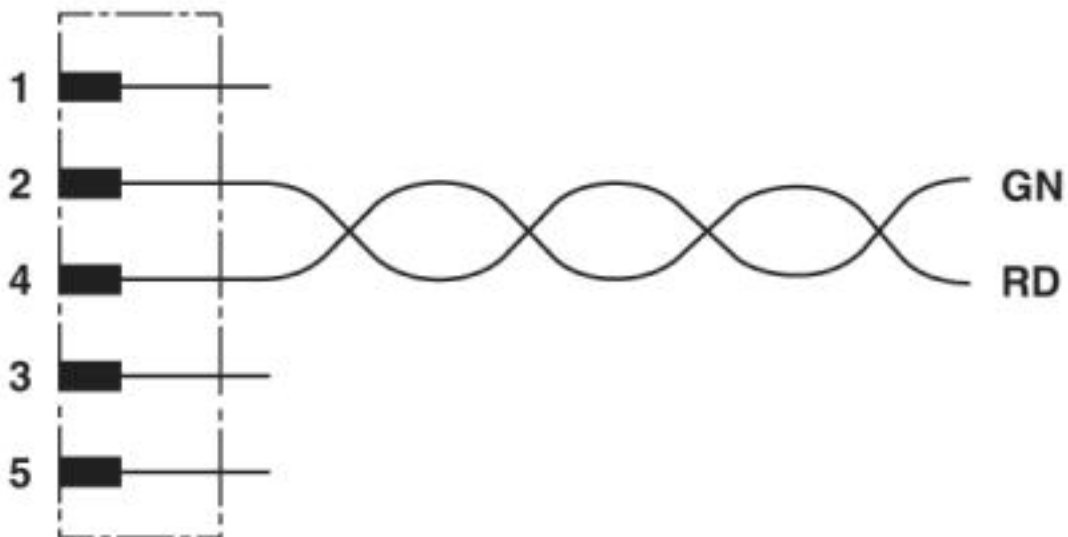
Bus system flush-type plug - SACCBP-MSB-2CON-PG9/1,0-910SCO - 1437494

Dimensional drawing



M12 panel feed-through

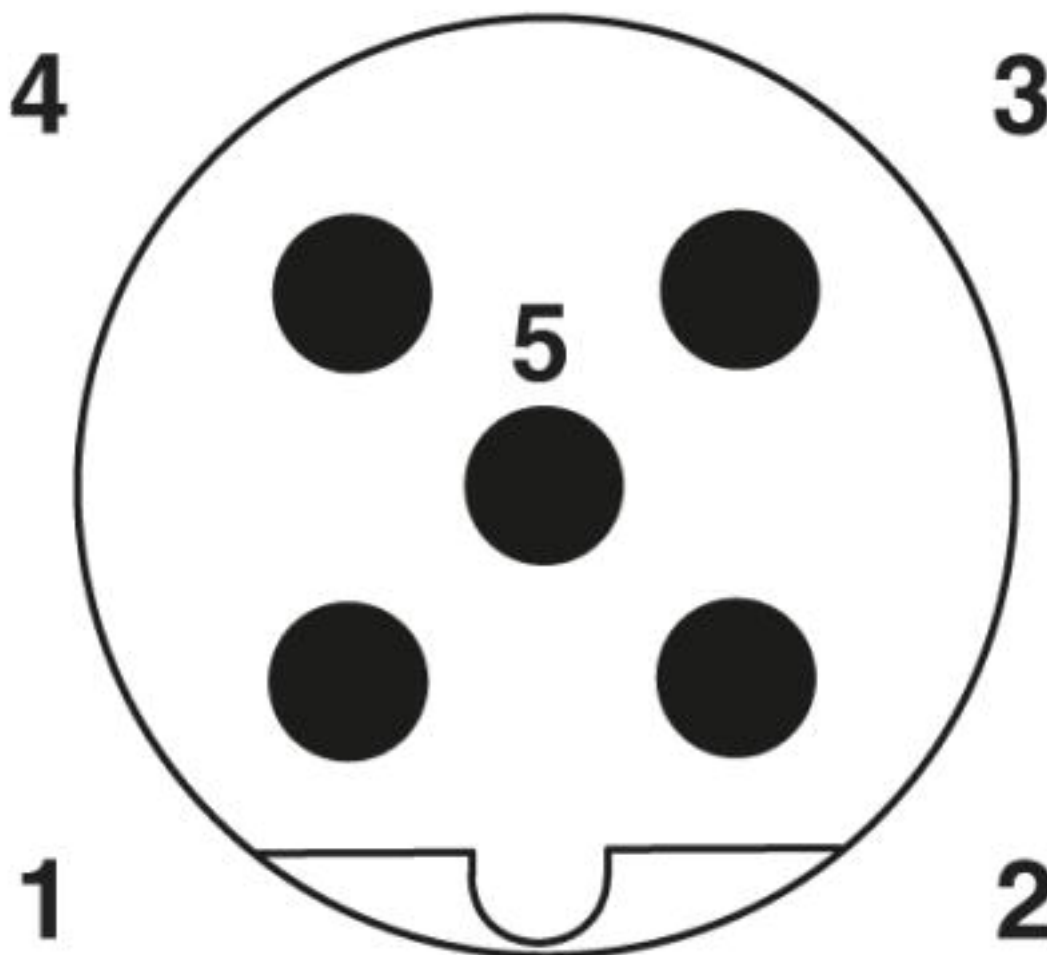
Circuit diagram



Contact assignment of the M12 plug

Bus system flush-type plug - SACCBP-MSB-2CON-PG9/1,0-910SCO - 1437494

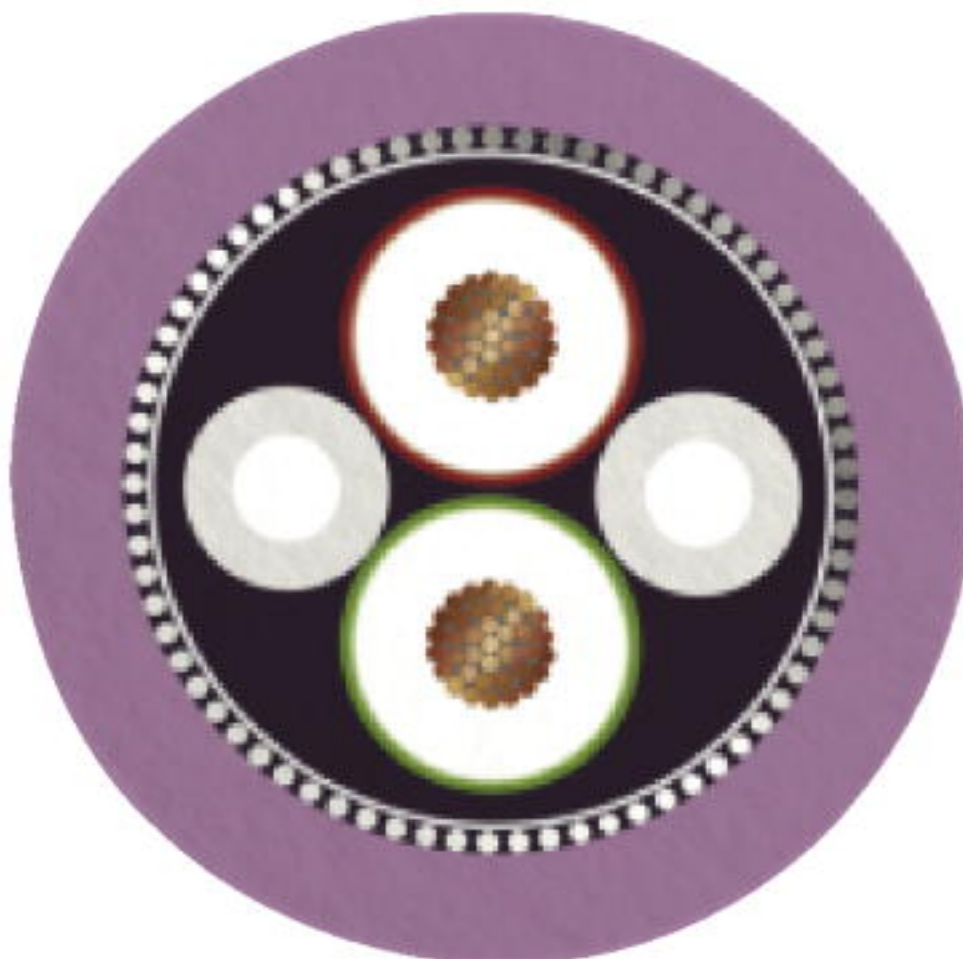
Schematic diagram



Pin assignment M12 male connector, 5-pos., B-coded, male side

Bus system flush-type plug - SACCBP-MSB-2CON-PG9/1,0-910SCO - 1437494

Cable cross section



PROFIBUS [910]

Approvals

Approvals

Approvals


UL Recognized / EAC

Ex Approvals

Approval details

Bus system flush-type plug - SACCBP-MSB-2CON-PG9/1,0-910SCO - 1437494

Approvals

| | | | |
|----------------------------|---|---|---------------|
| UL Recognized |  | http://database.ul.com/cgi-bin/XYV/template/LISEXT/1FRAME/index.htm | FILE E 118976 |
| Nominal voltage UN | | 250 V | |
| Nominal current IN | | 4 A | |
| mm ² /AWG/kcmil | | 22 | |

| | | |
|-----|---|---------|
| EAC |  | B.00767 |
|-----|---|---------|

Phoenix Contact 2019 © - all rights reserved
<http://www.phoenixcontact.com>

PHOENIX CONTACT GmbH & Co. KG
Flachsmarktstr. 8
32825 Blomberg
Germany
Tel. +49 5235 300
Fax +49 5235 3 41200
<http://www.phoenixcontact.com>