

4

3

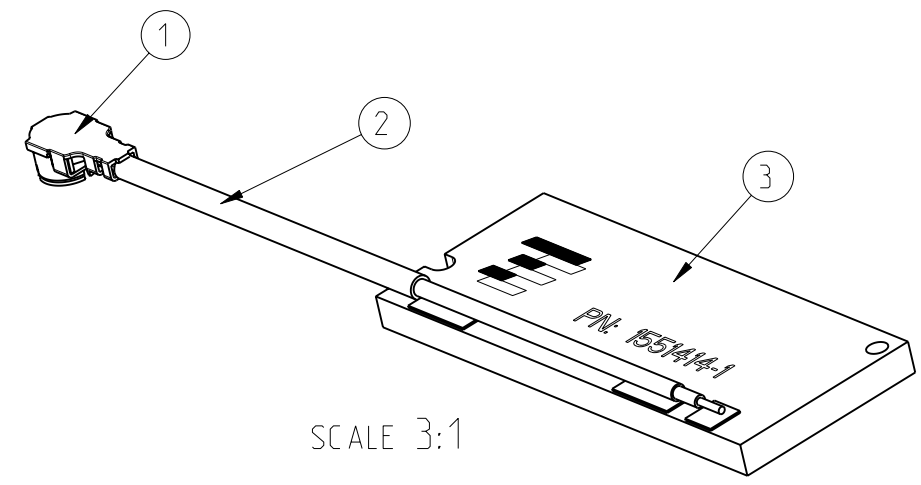
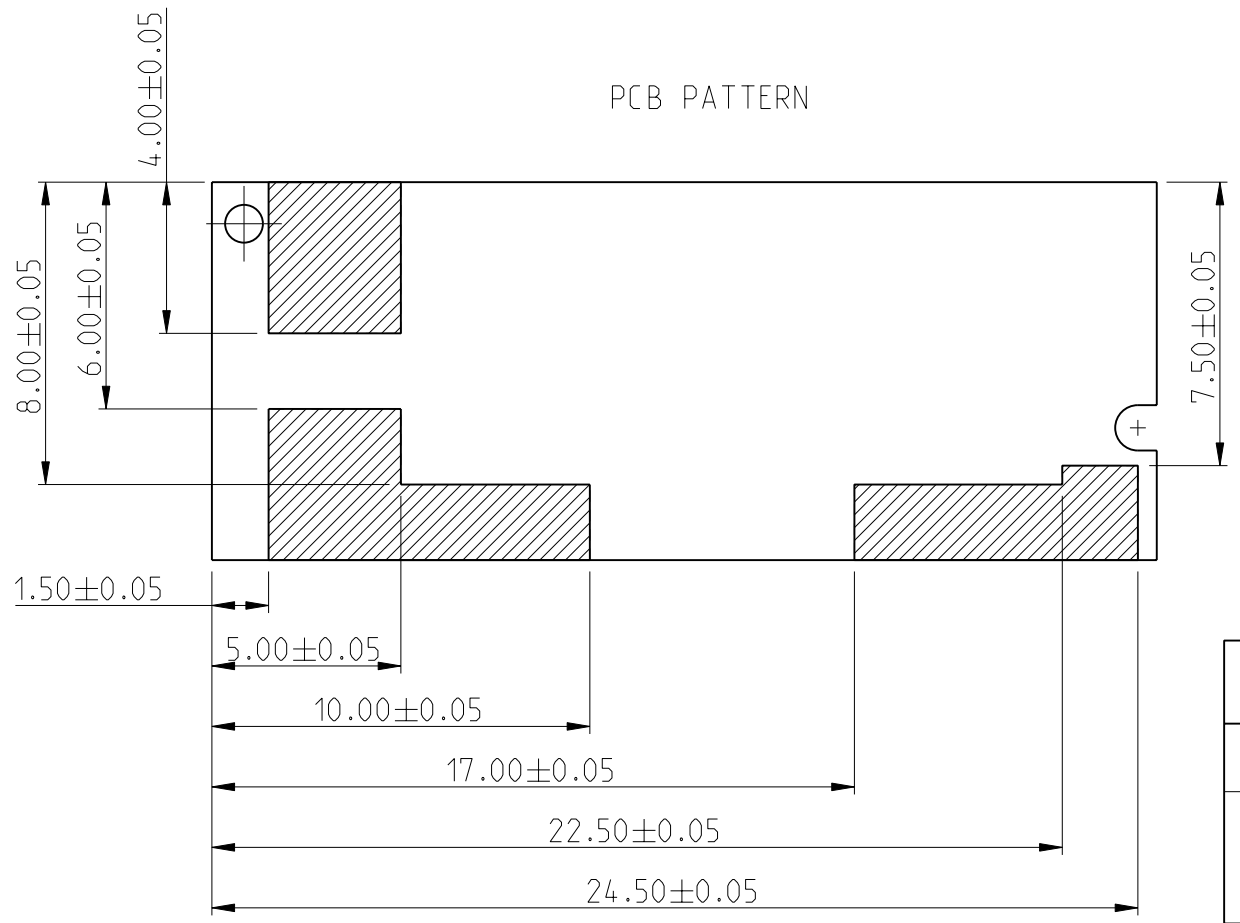
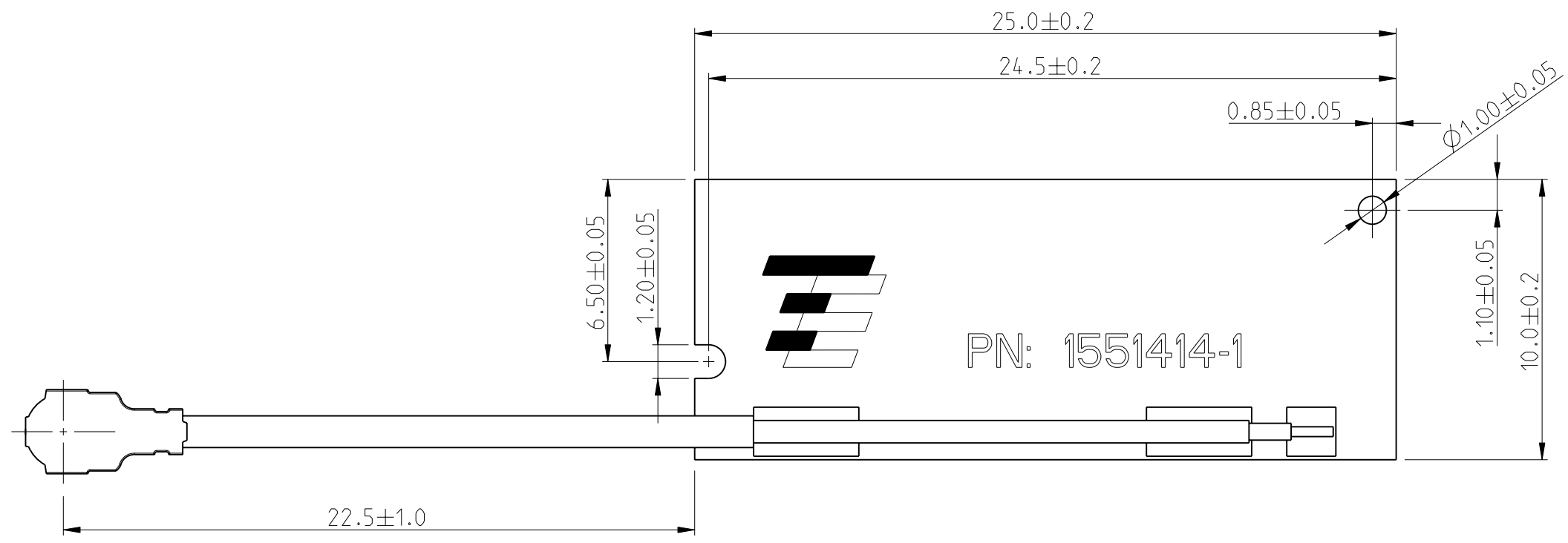
2

1

THIS DRAWING IS UNPUBLISHED. RELEASED FOR PUBLICATION 2009
 © COPYRIGHT 2009 ALL RIGHTS RESERVED.

LOC	DIST	REVISIONS					
H	-	P	LTR	DESCRIPTION	DATE	DWN	APVD
		A		RELEASED FOR PRODUCTION	19AUG2011	SM	RL

NOTE:
 1. PCB MATERIAL: GETEK, THICKNESS: 1.6±0.2mm



TE PN: 1551414-1 AS SHOWN
 B&O PN: 6143838

ITEM NO.	DESCRIPTION	QTY
3	PRINTED CIRCUIT BOARD	1
2	COAX CABLE; COLOUR= BLACK; OD.=1.13mm; L=22.5mm	1
1	ULTRA MINIATURE COAX CONNECTOR	1

THIS DRAWING IS A CONTROLLED DOCUMENT.		DWN SUBHASH.M 02DEC2009	TE Connectivity			
DIMENSIONS: mm		CHK R.LOKKER 02DEC2009				
TOLERANCES UNLESS OTHERWISE SPECIFIED:		APVD R.LOKKER 02DEC2009	NAME ANTENNA ASSEMBLY			
0 PLC ±-		PRODUCT SPEC -				
1 PLC ±-		APPLICATION SPEC -	SIZE A3	CAGE CODE 00779	DRAWING NO C=1551414	RESTRICTED TO -
2 PLC ±-		WEIGHT -	CUSTOMER DRAWING			
3 PLC ±-			SCALE 5:1	SHEET 1 OF 1	REV A	
4 PLC ±-						
ANGLES ±1°						
FINISH -						