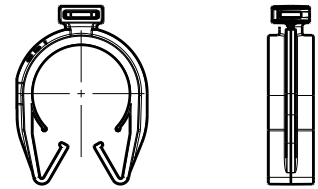
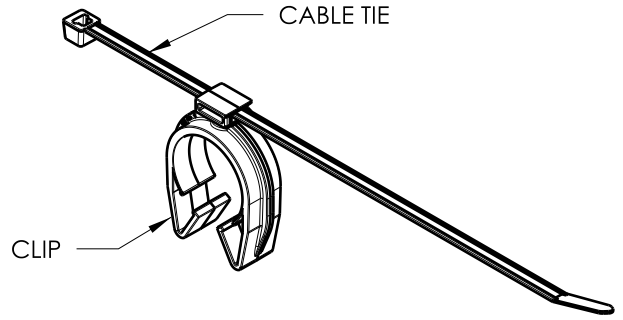


Revision Level			Revision Record	Changed	Date	Approved	Date
Drawing	State	Part					
00.0	Design Release	-	SEE ECN# 014642	TAT	10/3/18	HDC	10/3/18

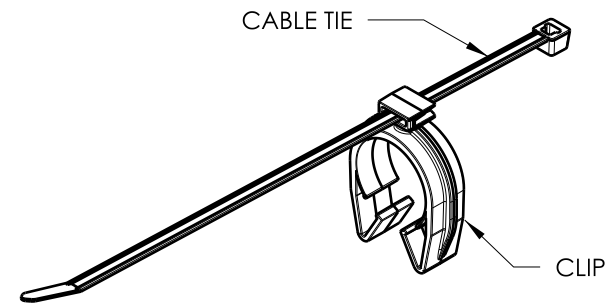


MOC26SAD
DELIVERY CONDITION: UNASSEMBLED SET

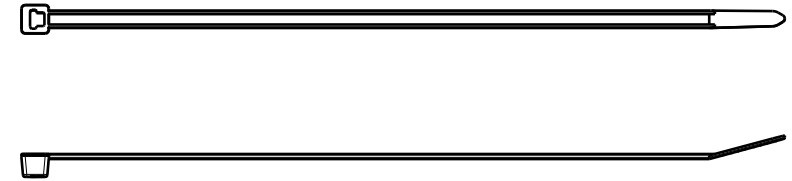
TYPE	DIAMETER RANGE*
HARNESS	23.0MM-28.5MM
HOSE	23.0MM-28.5MM
HARD PIPE/TUBE	25.9MM-29.0MM

*RECOMMENDED SIZES MAY DIFFER DEPENDING ON THE APPLICATION, PRODUCT REQUIREMENTS AND MATERIALS USED

**PATENT PENDING 29/582,271



ASSEMBLED EXAMPLE FOR REFERENCE ONLY OPTION 2



T50R
DELIVERY CONDITION: UNASSEMBLED SET

GLOBAL PART DESCRIPTION	BUNDLE RANGE	CABLE TIE			CLIP**		
		DRAWING	MATERIAL	COLOR	DRAWING	MATERIAL	COLOR
T50RMOC26SAD-SET-PA66HIRHSUV-BK	4 TO 50	CT2050007CST	PA66HIRHSUV	BLACK	16-0325-008-CSU	PA66HIRHSUV	BLACK

Material SEE CHART COLOR: SEE CHART	Units	millimeters	The copyright of this drawing is reserved by HellermannTyton. It is issued on condition that it is not reproduced, copied or disclosed to a third party, either wholly or in part, without the consent of HellermannTyton.	Drawn	TAT	9/11/18	Article/Type-No	T50RMOC26SAD		Scale	1:2
	Tolerance defined on each dimension	Approved		HDC	9/11/18	Title		26MM (1") MOC WITH T50R CABLE TIE		Project Number	16-0325
		 North America Email: corp@htamericas.com Web: www.hellermann.tyton.com			Drawing-No		PRODUCTION : Phase	Format	AH		
					16-0325-108-CSU		Sheet	1/1			