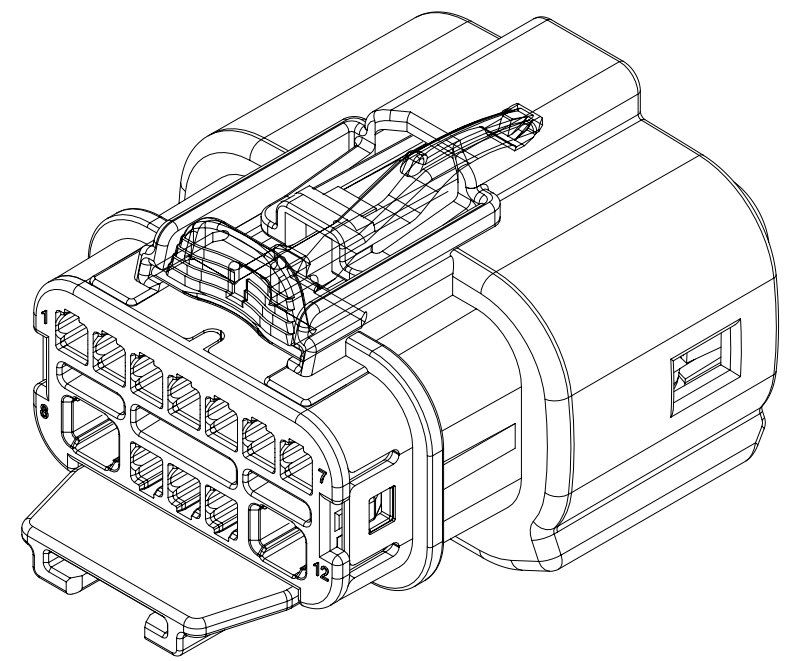
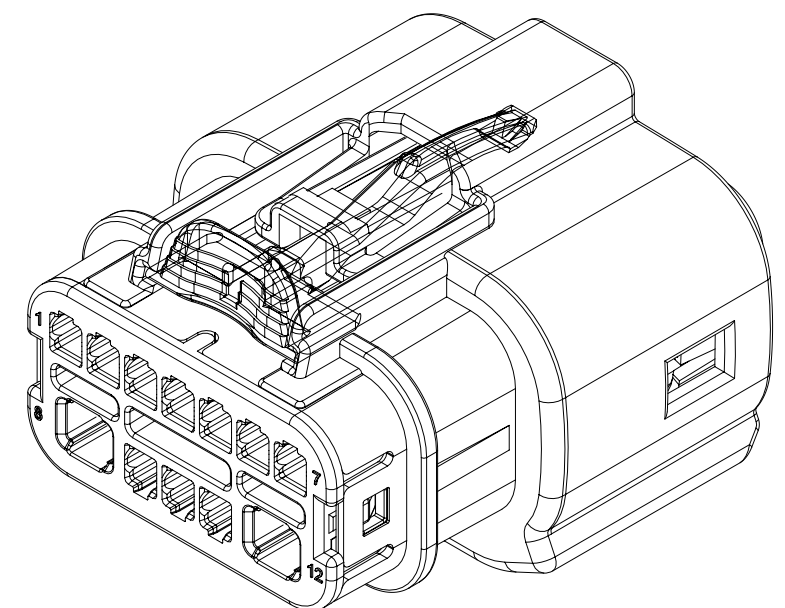


TABLE OF CONTENTS	
SHEET NO.	SHEET DESCRIPTION
1	NOTES
2	CONFIGURATIONS
3	KEY CONFIGURATIONS
4	RECEPTACLE CONNECTOR ASSEMBLY
5	12W HYBRID CONNECTOR BOM
6	12W HYBRID CONNECTOR BOM
7	12W HYBRID INTERFACE DEFINITION

DESCRIPTION	PACKAGING DRAWING NO.	MATING INTERFACE/CONNECTOR DRAWINGS	
		INTERFACE DEFINITION	MOLEX INLINE
12W HYBRID	RPK-160110900	SEE PAGE 6	E-1601120000



12W HYBRID W/ EXTENDED CLIPSLOT



12W HYBRID NON-CLIPSLOT

NOTES: VALID UNLESS OTHERWISE SPECIFIED

1. GENERAL:

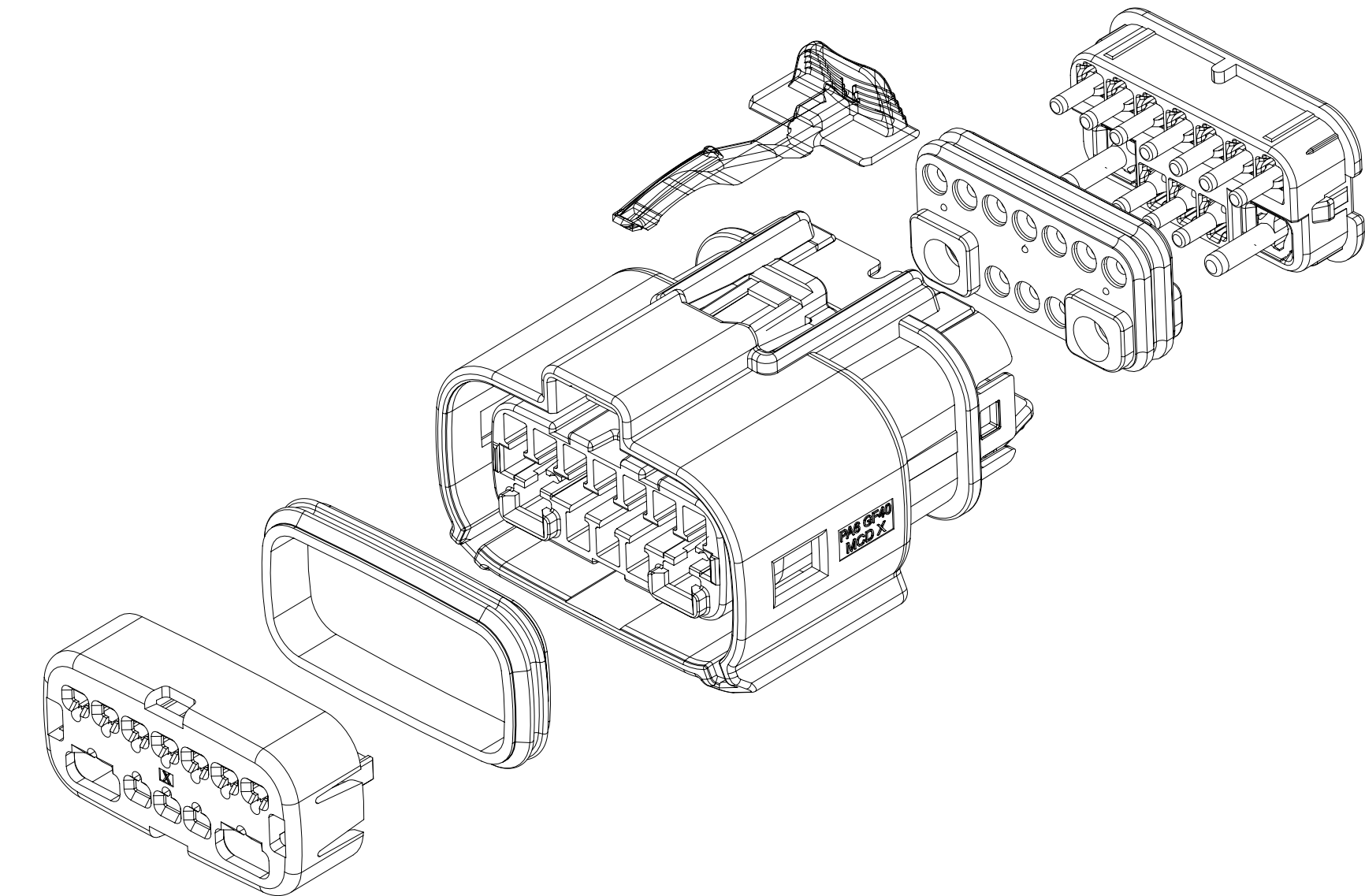
- 1.1 APPLICATION SPECIFICATION SEE: 1601110001-AS
 - CONTAINS: PRODUCT INTRODUCTION, PRODUCT SUMMARY, CONNECTOR ASSEMBLY, PACKAGING INFORMATION, CONNECTOR MATING, SERVICE INSTRUCTIONS, ELECTRICAL CONTINUITY CHECKING, CRIMPING, AND TROUBLE SHOOTING.
 - DESIGNED TO MATE WITH DEVICE OR CONNECTOR AS SPECIFIED IN THE MATING INTERFACE/CONNECTOR DRAWINGS CHART.
 - *DENOTES DRAWINGS THAT CAN BE ACCESSED AT [http://ewcap.uscarteams.org/]
 - ASSEMBLY SHIPPED WITH THE FOLLOWING PARTS IN PRE-LOCK POSITION (PLR, CPA, ISL, LEVEL. SEE PRE-LOCK VIEW ON PAGE 4).
- 1.2 PRODUCT SPECIFICATION SEE: 1601110001-PS
 - CONTAINS: SCOPE, PRODUCT DESCRIPTION, INTEGRAL COMPONENTS AND ACCESSORIES, APPLICABLE DOCUMENTS AND SPECIFICATIONS, RATINGS, PERFORMANCE, PACKAGING, GAUGES AND FIXTURES, AND OTHER INFORMATION.
- 1.3 PACKAGING SPECIFICATION PER MOLEX DRAWING: SEE PACKAGING CHART
- 1.4 PARTS MUST BE IN COMPLIANCE TO MOLEX CHEMICAL SUBSTANCES FOR PRODUCTS AND PACKAGING SPECIFICATION: QEHS-699000-300
- 1.5 DATA MUST BE SUBMITTED UNDER THE MOLEX PART NUMBER TO IMDS (COMPANY ID#13255)

2. DESIGN - MATERIALS:

- 2.1 SEE BOM TABLE

3. DESIGN - GEOMETRY:

- 3.1 THE 3-D CAD DATA IS BASIC (WITHOUT TOLERANCE) AND MUST BE TAKEN FROM THE DATA FILE AT ITS LATEST REVISION.
 - 3.2 THE 3-D CAD DATA IS MASTER FOR THIS PART AND IS TO BE USED TO ESTABLISH DIMENSIONAL INFORMATION NOT SHOWN ON THIS DRAWING. ANY DIMENSIONS UNDERLINED INDICATE A CONFLICT WITH THE MODEL.
 - 3.3 PRODUCT DESIGN MODEL NUMBER(S): SEE BOM TABLE
 - 3.4 GEOMETRIC DIMENSIONS AND TOLERANCES PER ASME Y14.5M-2009
 - 3.5 EDGES OF UNDEFINED SHAPE PER ISO 13715
 - 3.6 CORNERS SHOWN AS SHARP TO BE R 0.2 MAX
 - 3.7 LETTERING SHALL BE 0.15 MAX RAISED IN 0.25 MAX RECESS PAD. THIS INCLUDES RECYCLING CODE, CAVITY ID, VENDOR IDENTIFICATION, AND CUSTOMER MATERIAL NUMBER.
 - 3.8 VISUAL DEFECTS SHALL MEET COSMETIC STANDARD PS-45499-002 (CLASS B).
 - 3.9 LASER MARKING
 - 1. PART NUMBER
 - 2. DAY OF THE YEAR
 - 3. SHIFT
 - 4. YEAR
- FOR ADDITIONAL INFORMATION SEE SECTION 5 UNDER PROCEDURES IN ES-34735-008.



D4	ADD 160111-6062 AND 160111-6063
D3	ADD 160111-6061
D2	ADD 160111-6059 AND 6060
D1	ADD 160111-6054 THRU 6058
D	ADD 160111-6050 THRU 6053
C2	UPDATED NOTES
C1	CHANGE DOCUMENT TYPE FROM RSD TO SD
C	ADD 160111-6046 THRU 6049
B	UPDATED INFORMATION TO PRODUCTION LEVEL
A2	ADDED NEW PART NO. 160111-6039 160111-6040 160111-6041 160111-6042 160111-6043 160111-6044 160111-6045
A1	ADDED NEW PART NO. 160111-6021 160111-6022 160111-6023 160111-6024 160111-6025 160111-6026 160111-6027 160111-6028 160111-6029 160111-6030 160111-6031 160111-6032 160111-6033 160111-6034 160111-6035 160111-6036 160111-6037 160111-6038
A	INITIAL RELEASE

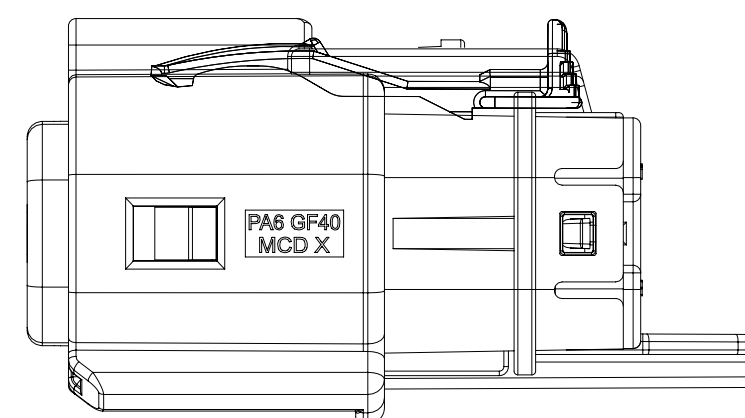
INSPECTION NUMBER LOG	
LAST NUMBER: 7	REV DESCRIPTION
REV	REV DESCRIPTION

THIS DRAWING CONTAINS INFORMATION THAT IS PROPRIETARY TO MOLEX ELECTRONIC TECHNOLOGIES, LLC AND SHOULD NOT BE USED WITHOUT WRITTEN PERMISSION									
DIMENSION UNITS	SCALE	CURRENT REV DESC: SEE REVISION TABLE							
mm	2:1	<p>MX150 HYBRID MAT SEAL RCPT CONN ASM</p> <p>PRODUCT CUSTOMER DRAWING</p>							
GENERAL TOLERANCES (UNLESS SPECIFIED)									
ANGULAR TOL	± °								
4 PLACES	±								
3 PLACES	±								
2 PLACES	±	EC NO: 674870							
1 PLACE	±	DRWN: SCV	2021/08/23						
0 PLACES	±	CHK'D: GGA	2021/08/27						
DRAFT WHERE APPLICABLE MUST REMAIN WITHIN DIMENSIONS		APPR: GGA	2021/08/27						
THIRD ANGLE PROJECTION		INITIAL REVISION:							
D		DRWN: ADING03	2017/01/16						
D-SIZE		APPR: KDEKOSKI	2017/01/17						
SERIES		160111							
MATERIAL NUMBER		1601110000	DOC TYPE	DOC PART	REVISION				
CUSTOMER		CHARTED	PSD	000	D4				
SHEET NUMBER		1 OF 7							

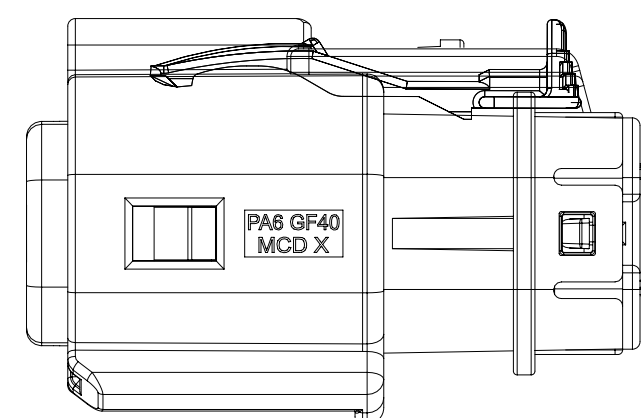
DOCUMENT STATUS	P1	RELEASE DATE	2021/08/27	04:44:55
-----------------	----	--------------	------------	----------

SHEET DESCRIPTION

CONFIGURATIONS



12W HYBRID W/ EXTENED CLIPSLOT



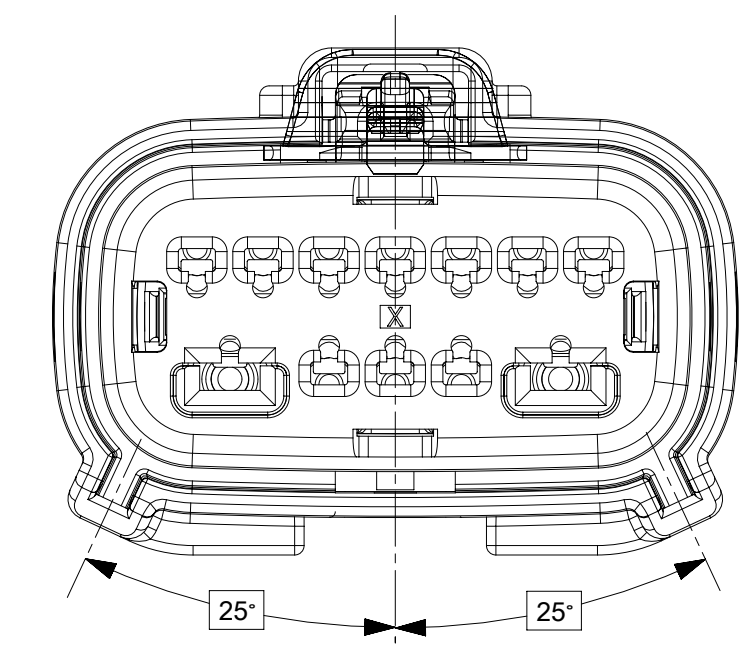
12W HYBRID NON-CLIPSLOT

THIS DRAWING CONTAINS INFORMATION THAT IS PROPRIETARY TO MOLEX ELECTRONIC TECHNOLOGIES, LLC AND SHOULD NOT BE USED WITHOUT WRITTEN PERMISSION									
DIMENSION UNITS	SCALE	CURRENT REV DESC: SEE REVISION TABLE							
mm	2:1								
GENERAL TOLERANCES (UNLESS SPECIFIED)					EC NO: 674870 DRWN: SCV 2021/08/23 CHK'D: GGA 2021/08/27 APPR: GGA 2021/08/27				
ANGULAR TOL	± °								
4 PLACES	±				INITIAL REVISION: DRWN: ADING03 2017/01/16 APPR: KDEKOSKI 2017/01/17				
3 PLACES	±								
2 PLACES	±				DOCUMENT NUMBER: 1601110000 DOC TYPE: PSD DOC PART: 000 REVISION: D4				
1 PLACE	±								
0 PLACES	±				MATERIAL NUMBER: 160111 CUSTOMER: CHARTED SHEET NUMBER: 2 OF 7				
DRAFT WHERE APPLICABLE MUST REMAIN WITHIN DIMENSIONS		THIRD ANGLE PROJECTION	DRAWING	SERIES					
			D-SIZE	160111					

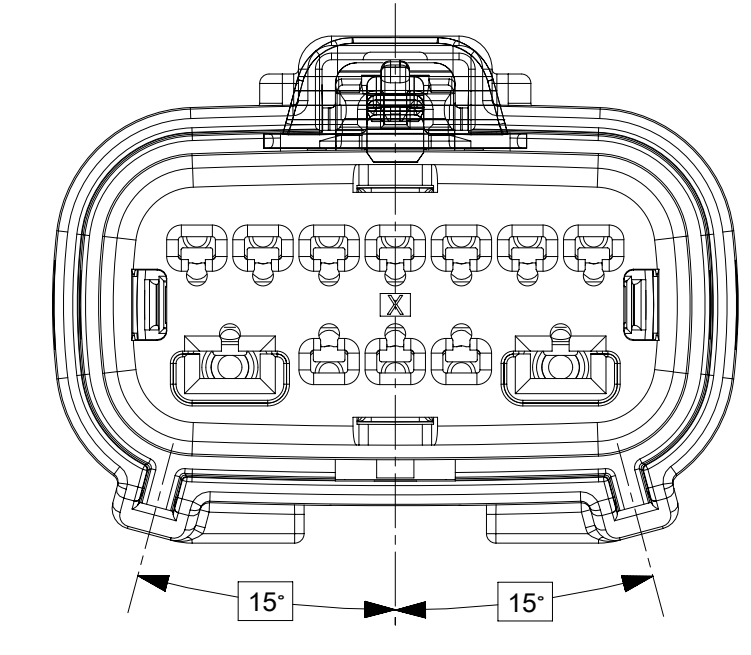
SEE NOTES

SHEET DESCRIPTION
KEY CONFIGURATIONS

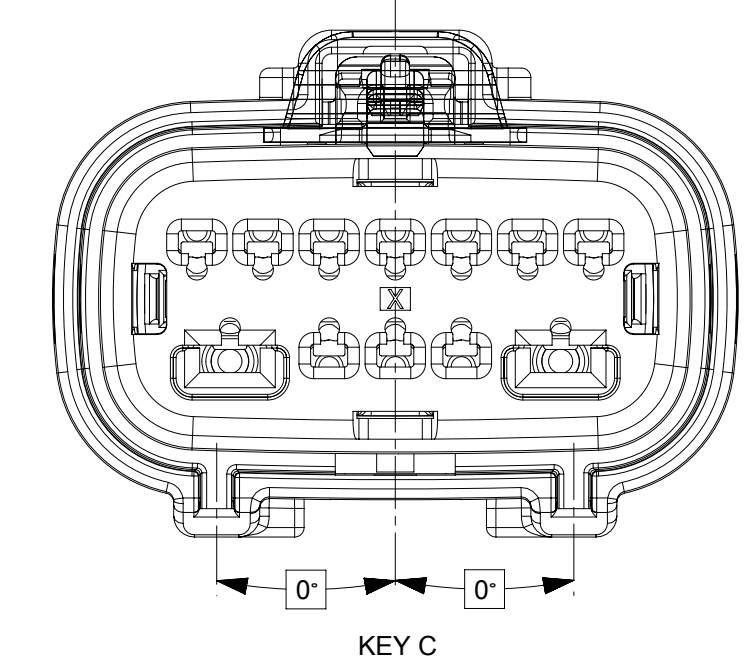
12W HYBRID



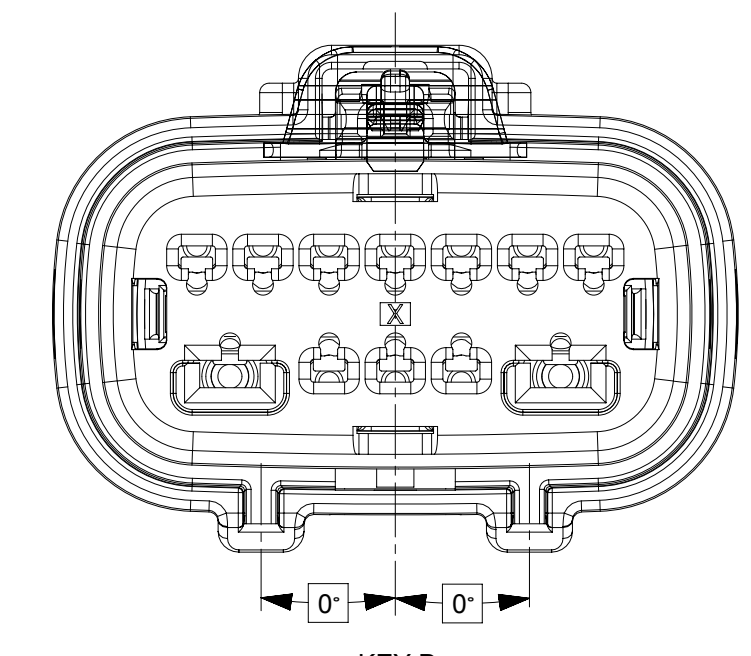
KEY A



KEY B



KEY C

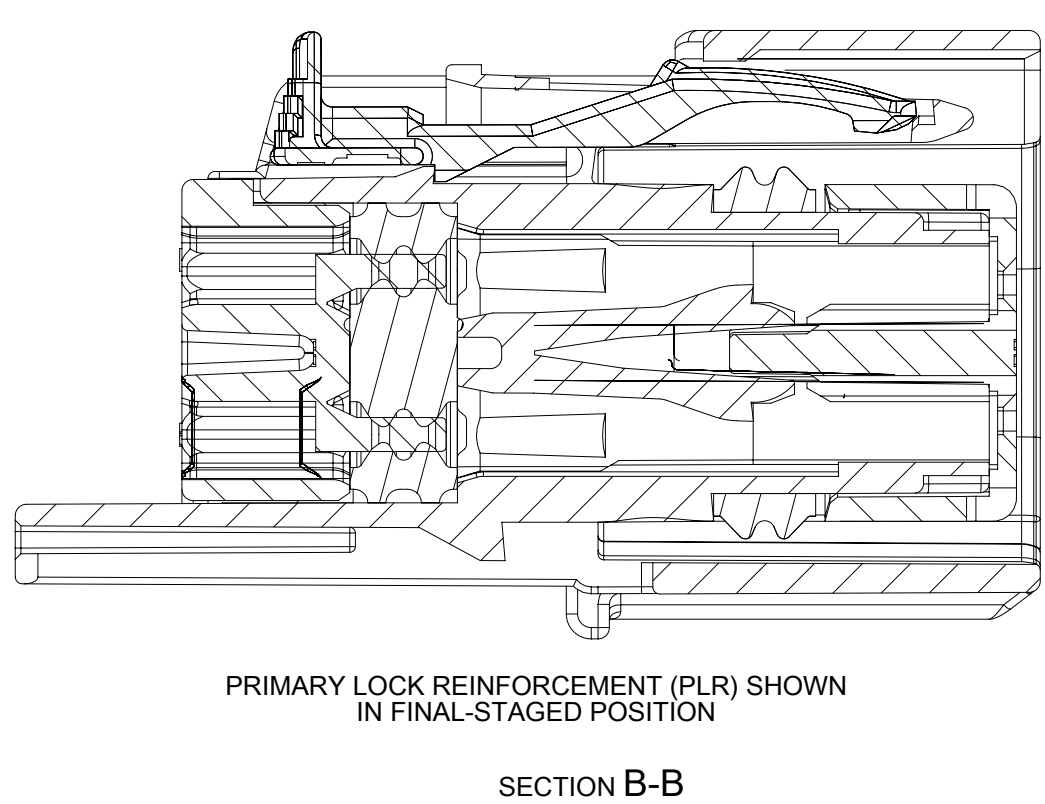
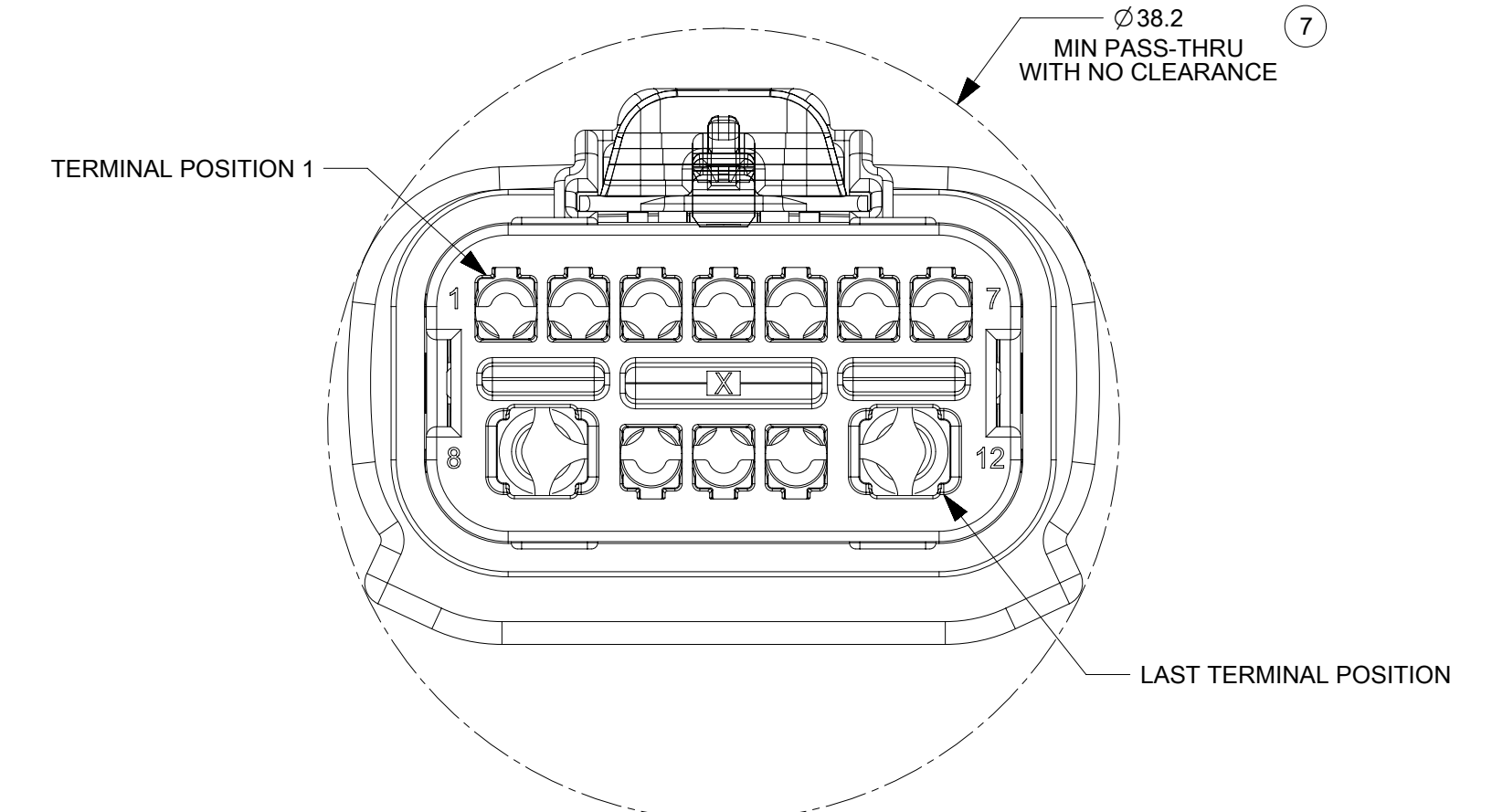
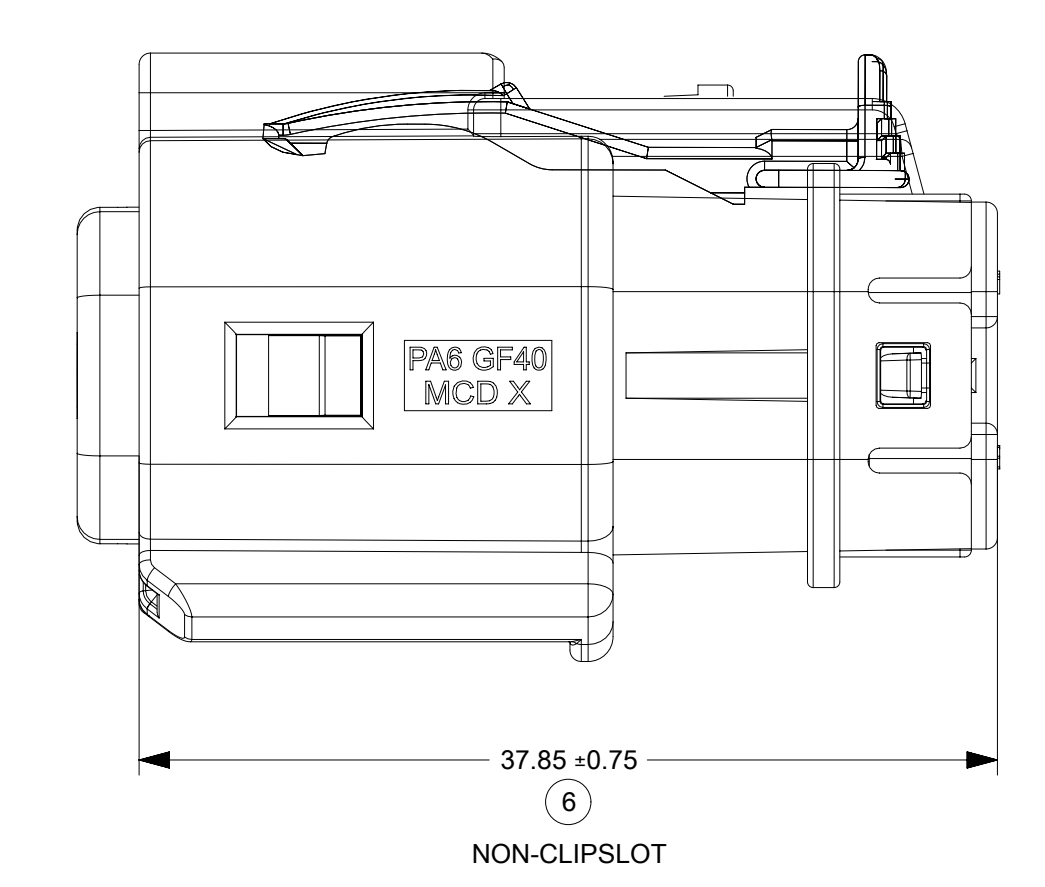
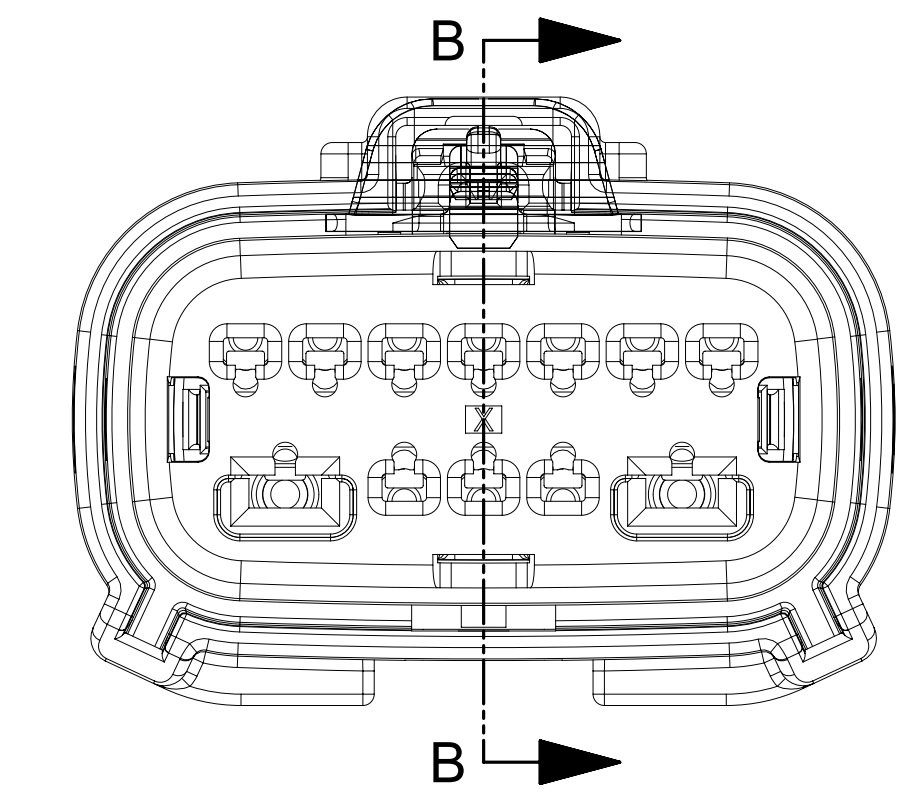
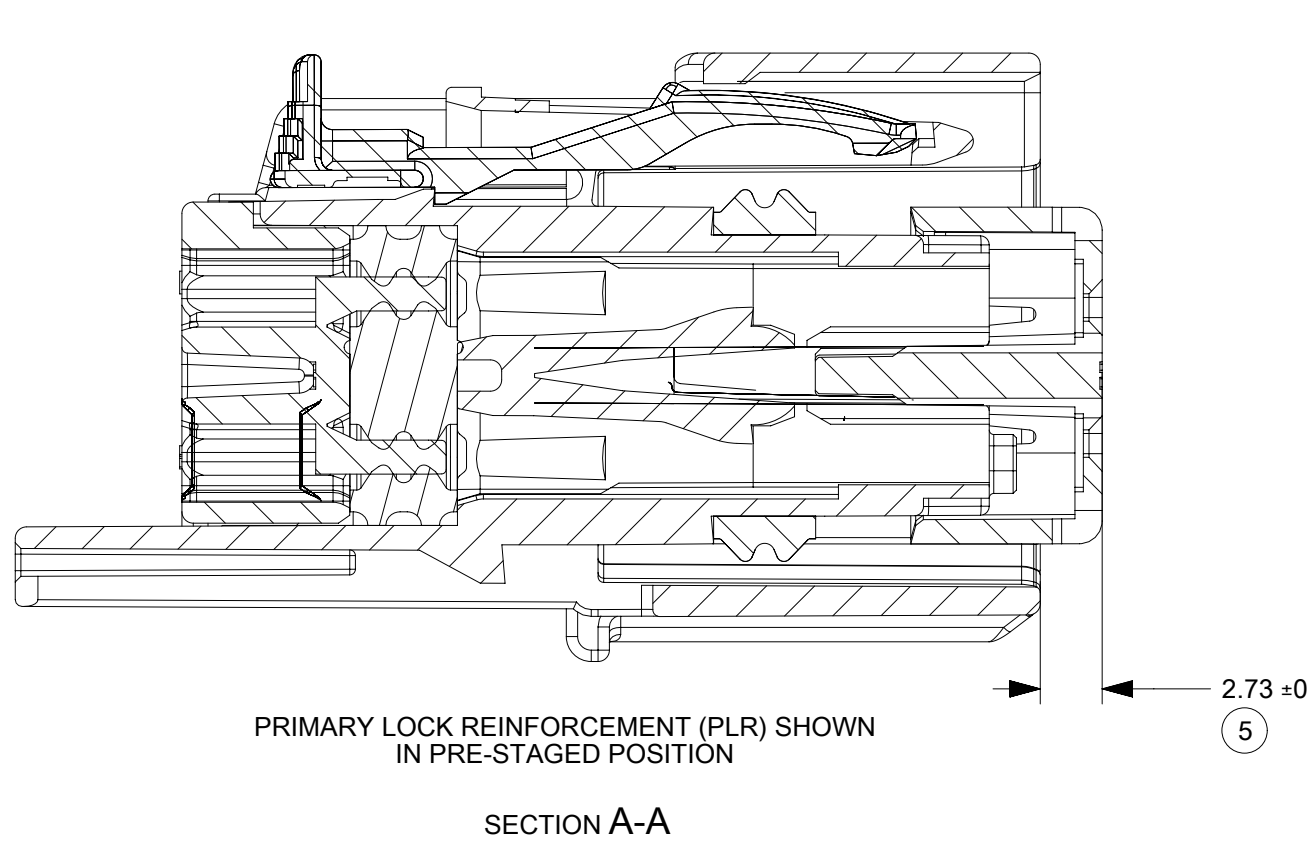
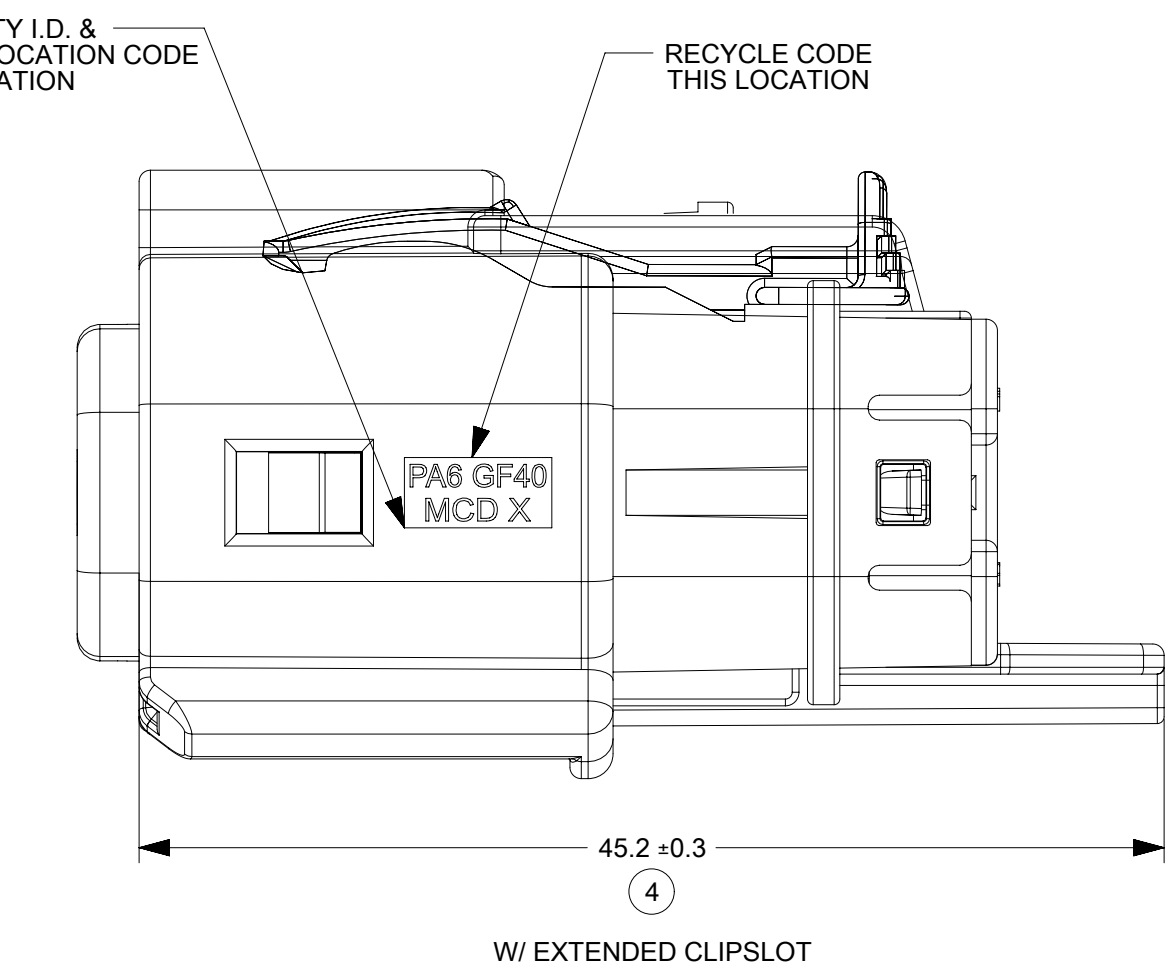
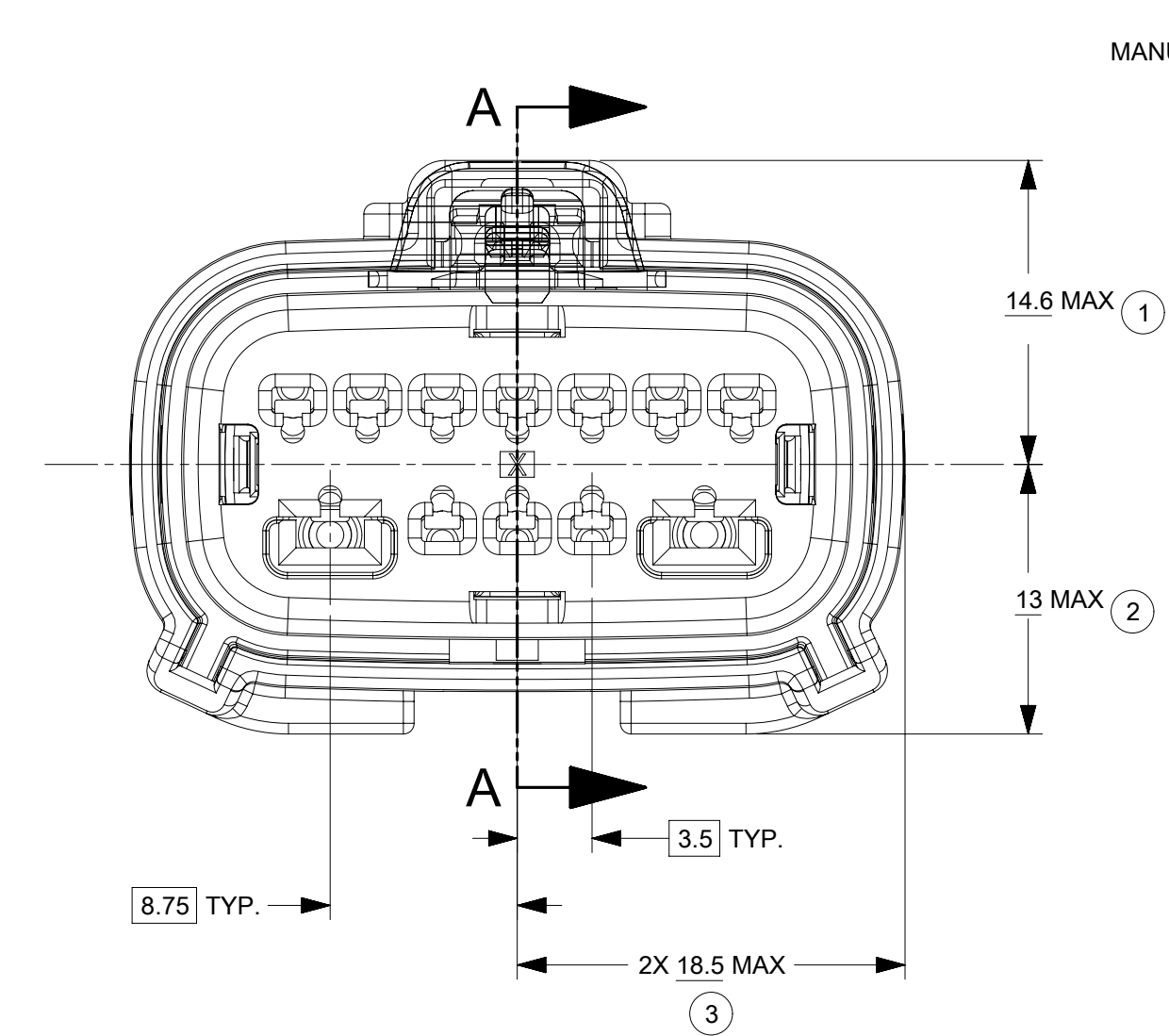
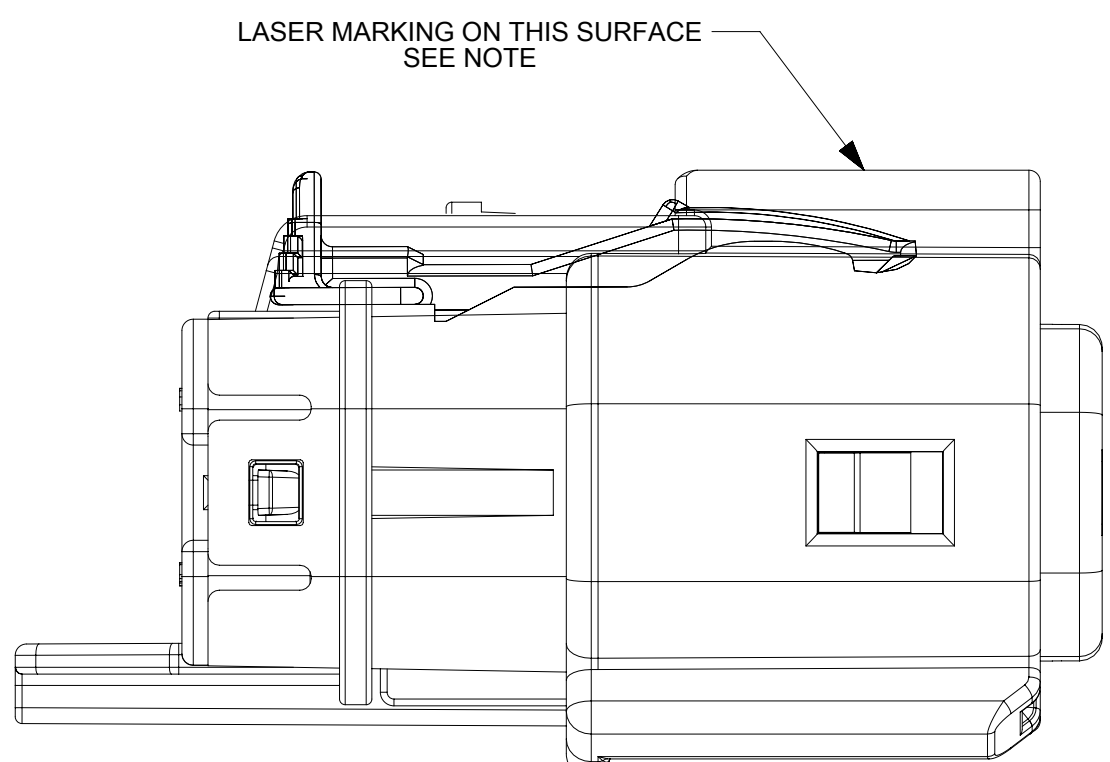


KEY D

THIS DRAWING CONTAINS INFORMATION THAT IS PROPRIETARY TO MOLEX ELECTRONIC TECHNOLOGIES, LLC AND SHOULD NOT BE USED WITHOUT WRITTEN PERMISSION															
DIMENSION UNITS		SCALE		CURRENT REV DESC: SEE REVISION TABLE											
mm		3:1													
GENERAL TOLERANCES (UNLESS SPECIFIED)				EC NO: 674870 DRWN: SCV 2021/08/23 CHK'D: GGA 2021/08/27 APPR: GGA 2021/08/27 INITIAL REVISION: DRWN: ADING03 2017/01/16 APPR: KDEKOSKI 2017/01/17						DOCUMENT NUMBER		DOC TYPE	DOC PART	REVISION	
ANGULAR TOL ± °										1601110000		PSD	000	D4	
4 PLACES ±										PRODUCT CUSTOMER DRAWING					
3 PLACES ±										MATERIAL NUMBER		CUSTOMER		SHEET NUMBER	
2 PLACES ±										160111		CHARTED		3 OF 7	
1 PLACE ±				DRAWING		SERIES									
0 PLACES ±				D-SIZE		160111									
DRAFT WHERE APPLICABLE MUST REMAIN WITHIN DIMENSIONS				THIRD ANGLE PROJECTION		SERIES									
						160111									

SEE NOTES

SHEET DESCRIPTION
RECEPTACLE CONNECTOR ASSEMBLY

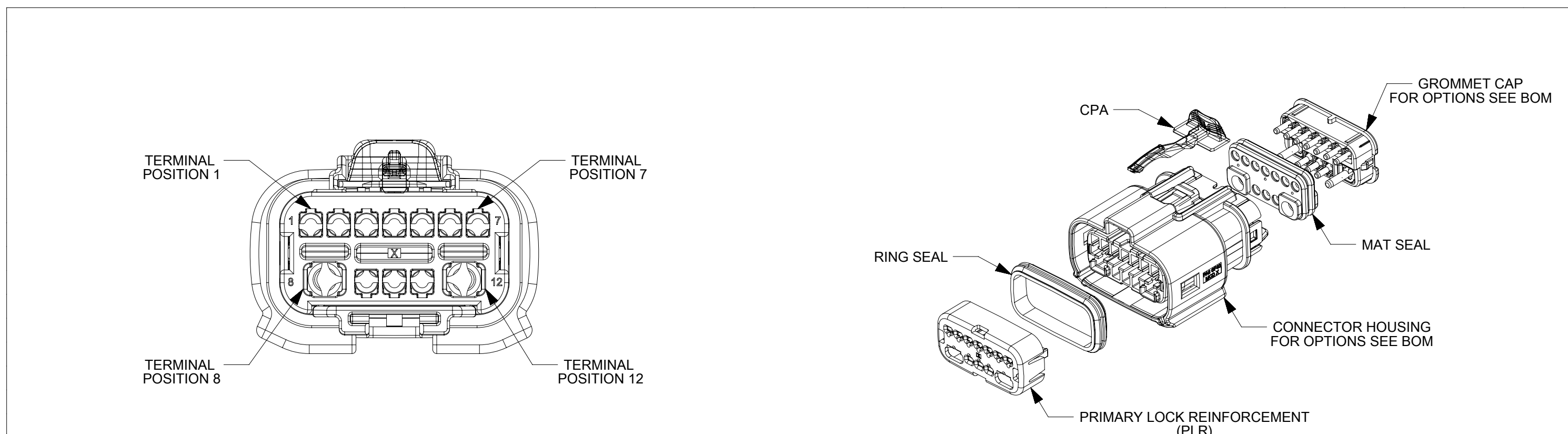


THIS DRAWING CONTAINS INFORMATION THAT IS PROPRIETARY TO MOLEX ELECTRONIC TECHNOLOGIES, LLC AND SHOULD NOT BE USED WITHOUT WRITTEN PERMISSION

DIMENSION UNITS	SCALE	CURRENT REV DESC: SEE REVISION TABLE	
mm	4:1		
GENERAL TOLERANCES (UNLESS SPECIFIED)			
ANGULAR TOL	± °		
4 PLACES	±	EC NO: 674870	
3 PLACES	±	DRWN: SCV	2021/08/23
2 PLACES	±	CHK'D: GGA	2021/08/27
1 PLACES	±	APPR: GGA	2021/08/27
0 PLACES	±	INITIAL REVISION:	
		DRWN: ADING03	2017/01/16
		APPR: KDEKOSKI	2017/01/17
DRAFT WHERE APPLICABLE MUST REMAIN WITHIN DIMENSIONS	THIRD ANGLE PROJECTION	DRAWING	SERIES
		D-SIZE	160111
		MATERIAL NUMBER	CUSTOMER
		1601110000	CHARTED
		DOCUMENT NUMBER	DOC TYPE DOC PART REVISION
		1601110000	PSD 000 D4
		SHEET NUMBER	
		4 OF 7	

SHEET DESCRIPTION

12W HYBRID CONNECTOR BOM



ABBREVIATION	DESCRIPTION	COLOR	MATERIAL
A-BLK-ECLIP	HOUSING KEYING OPTION A W/ EXTENDED CLIP	BLACK	PA6 GF40
B-LG-ECLIP	HOUSING KEYING OPTION B W/ EXTENDED CLIP	LIGHT GRAY	PA6 GF40
C-DG-ECLIP	HOUSING KEYING OPTION C W/ EXTENDED CLIP	DARK GRAY	PA6 GF40
D-SG-ECLIP	HOUSING KEYING OPTION D W/ EXTENDED CLIP	STONE GRAY	PA6 GF40
A-Y-ECLIP	HOUSING KEYING OPTION A W/ EXTENDED CLIP	YELLOW	PA6 GF40
A-BLK	HOUSING KEYING OPTION A NON CLIPSLLOT	BLACK	PA6 GF40
B-LG	HOUSING KEYING OPTION B NON CLIPSLLOT	LIGHT GRAY	PA6 GF40
C-DG	HOUSING KEYING OPTION C NON CLIPSLLOT	DARK GRAY	PA6 GF40
D-SG	HOUSING KEYING OPTION D NON CLIPSLLOT	STONE GRAY	PA6 GF40
A-Y	HOUSING KEYING OPTION A NON CLIPSLLOT	YELLOW	PA6 GF40
GCP-ECLIP	GROMMET CAP (PLUGGED) EXTENDED CLIPSLLOT	BLACK	PA6 GF40
GCP	GROMMET CAP (PLUGGED) NON CLIPSLLOT	BLACK	PA6 GF40
PLR	PLR	NATURAL	PA6 GF40
CPA	CPA	RED	PBT GF20
M	MAT SEAL	LIGHT BLUE	INHERENTLY LUBRICATED SILICONE
R	RING SEAL	RUST RED	INHERENTLY LUBRICATED SILICONE

ASSEMBLY DESCRIPTION	ASSEMBLY PART NUMBER	COMPONENT						BLOCKED TERMINALS												STATUS	COMMENTS	OPTIONAL ATTACHMENTS SOLD SEPARATELY	
		THE PRESENCE OF AN ABBREVIATION INDICATES THE PRESENCE OF THAT COMPONENT.						CAVITY WITH A NUMBER INDICATES BLOCKED TERMINAL POSITION CAVITY WITHOUT A NUMBER INDICATES OPEN TERMINAL POSITION														BACKSHELL WITH RIBS	BACKSHELL WITHOUT RIBS
		HOUSING KEY/COLOR	GROMMET CAP	PLR	CPA	MAT SEAL	RING SEAL	1	2	3	4	5	6	7	8	9	10	11	12				
KEY A, BLACK, W/O CPA	160111-6001	A-BLK	GCP	PLR	M	R														SALEABLE			
KEY B, LIGHT GRAY, W/O CPA	160111-6002	B-LG	GCP	PLR	M	R															SALEABLE		
KEY C, DARK GRAY, W/O CPA	160111-6003	C-DG	GCP	PLR	M	R															SALEABLE		
KEY D, STONE GRAY, W/O CPA	160111-6004	D-SG	GCP	PLR	M	R															SALEABLE		
KEY A, YELLOW, W/O CPA	160111-6005	A-Y	GCP	PLR	M	R															OK TO TOOL		
KEY A, BLACK, W/ CPA	160111-6006	A-BLK	GCP	PLR	CPA	M	R														SALEABLE		
KEY B, LIGHT GRAY, W/ CPA	160111-6007	B-LG	GCP	PLR	CPA	M	R														SALEABLE		
KEY C, DARK GRAY, W/ CPA	160111-6008	C-DG	GCP	PLR	CPA	M	R														SALEABLE		
KEY D, STONE GRAY, W/ CPA	160111-6009	D-SG	GCP	PLR	CPA	M	R														SALEABLE		
KEY A, YELLOW, W/ CPA	160111-6010	A-Y	GCP	PLR	CPA	M	R														OK TO TOOL		
KEY A, BLACK, W/O CPA, W/ EX. CLIPSLLOT	160111-6011	A-BLK-ECLIP	GCP-ECLIP	PLR		R															SALEABLE		
KEY B, LIGHT GRAY, W/O CPA, W/ EX. CLIPSLLOT	160111-6012	B-LG-ECLIP	GCP-ECLIP	PLR		R															SALEABLE		
KEY C, DARK GRAY, W/O CPA, W/ EX. CLIPSLLOT	160111-6013	C-DG-ECLIP	GCP-ECLIP	PLR		R															SALEABLE		
KEY D, STONE GRAY, W/O CPA, W/ EX. CLIPSLLOT	160111-6014	D-SG-ECLIP	GCP-ECLIP	PLR		R															SALEABLE		
KEY A, YELLOW, W/O CPA, W/ EX. CLIPSLLOT	160111-6015	A-Y-ECLIP	GCP-ECLIP	PLR		R															OK TO TOOL		
KEY A, BLACK, W/ CPA, W/ EX. CLIPSLLOT	160111-6016	A-BLK-ECLIP	GCP-ECLIP	PLR	CPA	M	R														SALEABLE		
KEY B, LIGHT GRAY, W/ CPA, W/ EX. CLIPSLLOT	160111-6017	B-LG-ECLIP	GCP-ECLIP	PLR	CPA	M	R														SALEABLE		
KEY C, DARK GRAY, W/ CPA, W/ EX. CLIPSLLOT	160111-6018	C-DG-ECLIP	GCP-ECLIP	PLR	CPA	M	R														SALEABLE		
KEY D, STONE GRAY, W/ CPA, W/ EX. CLIPSLLOT	160111-6019	D-SG-ECLIP	GCP-ECLIP	PLR	CPA	M	R														SALEABLE		
KEY A, YELLOW, W/ CPA, W/ EX. CLIPSLLOT	160111-6020	A-Y-ECLIP	GCP-ECLIP	PLR	CPA	M	R														OK TO TOOL		
KEY A, BLACK, W/ CPA, W/ EX. CLIPSLLOT	160111-6021	A-BLK-ECLIP	GCP-ECLIP	PLR	CPA	M	R			3	4	5	6	7		9	10	11			SALEABLE		
KEY A, BLACK, W/ CPA, W/ EX. CLIPSLLOT	160111-6022	A-BLK-ECLIP	GCP-ECLIP	PLR	CPA	M	R	1	2	3	4	5	6	7	8						SALEABLE		
KEY A, BLACK, W/ CPA, W/ EX. CLIPSLLOT	160111-6023	A-BLK-ECLIP	GCP-ECLIP	PLR	CPA	M	R	1		4	5	6	7	8							SALEABLE		
KEY A, BLACK, W/ CPA, W/ EX. CLIPSLLOT	160111-6024	A-BLK-ECLIP	GCP-ECLIP	PLR	CPA	M	R	1	2	3	4	5						10			SALEABLE		
KEY A, BLACK, W/ CPA, W/ EX. CLIPSLLOT	160111-6025	A-BLK-ECLIP	GCP-ECLIP	PLR	CPA	M	R	1		4	5										SALEABLE		
KEY A, BLACK, W/ CPA, W/ EX. CLIPSLLOT	160111-6026	A-BLK-ECLIP	GCP-ECLIP	PLR	CPA	M	R	1	2	3											SALEABLE		
KEY A, BLACK, W/ CPA, W/ EX. CLIPSLLOT	160111-6027	A-BLK-ECLIP	GCP-ECLIP	PLR	CPA	M	R	1													SALEABLE		
KEY A, BLACK, W/ CPA, W/ EX. CLIPSLLOT	160111-6028	A-BLK-ECLIP	GCP-ECLIP	PLR	CPA	M	R		2	3	4	5	6	7	8						SALEABLE		
KEY A, BLACK, W/ CPA, W/ EX. CLIPSLLOT	160111-6029	A-BLK-ECLIP	GCP-ECLIP	PLR	CPA	M	R			4	5	6	7	8							SALEABLE		
KEY A, BLACK, W/ CPA, W/ EX. CLIPSLLOT	160111-6030	A-BLK-ECLIP	GCP-ECLIP	PLR	CPA	M	R		2	3	4	5									SALEABLE		
KEY A, BLACK, W/ CPA, W/ EX. CLIPSLLOT	160111-6031	A-BLK-ECLIP	GCP-ECLIP	PLR	CPA	M	R			4	5										SALEABLE		
KEY A, BLACK, W/ CPA, W/ EX. CLIPSLLOT	160111-6032	A-BLK-ECLIP	GCP-ECLIP	PLR	CPA	M	R		2	3											SALEABLE		
KEY A, BLACK, W/ CPA, W/ EX. CLIPSLLOT	160111-6033	A-BLK-ECLIP	GCP-ECLIP	PLR	CPA	M	R	1	2	3	4	5	6	7	8						SALEABLE		
KEY A, BLACK, W/ CPA, W/ EX. CLIPSLLOT	160111-6034	A-BLK-ECLIP	GCP-ECLIP	PLR	CPA	M	R								7	8	9	10	11	12	SALEABLE		
KEY A, BLACK, W/ CPA, W/ EX. CLIPSLLOT	160111-6035	A-BLK-ECLIP	GCP-ECLIP	PLR	CPA	M	R								8						SALEABLE		
KEY A, BLACK, W/ CPA, W/ EX. CLIPSLLOT	160111-6036	A-BLK-ECLIP	GCP-ECLIP	PLR	CPA	M	R	1	2	3	4	5	6	7		9					SALEABLE		
KEY A, BLACK, W/ CPA, W/ EX. CLIPSLLOT	160111-6037	A-BLK-ECLIP	GCP-ECLIP	PLR	CPA	M	R							7		9					SALEABLE		
KEY A, BLACK, W/ CPA, W/ EX. CLIPSLLOT	160111-6038	A-BLK-ECLIP	GCP-ECLIP	PLR	CPA	M	R														SALEABLE		
KEY A, BLACK, W/ CPA	160111-6039	A-BLK	GCP	PLR	CPA	M	R			3					7		9	10	11		SALEABLE		
KEY A, BLACK, W/ CPA	160111-6040	A-BLK	GCP	PLR	CPA	M	R								7		9	10			SALEABLE		
KEY A, BLACK, W/ CPA	160111-6041	A-BLK	GCP	PLR	CPA	M	R				4	5	6	7		9	10				SALEABLE		
KEY A, BLACK, W/ CPA	160111-6042	A-BLK	GCP	PLR	CPA	M	R			3	4	5	6	7		9	10	11			SALEABLE		
KEY A, BLACK, W/ CPA	160111-6043	A-BLK	GCP	PLR	CPA	M	R	1	2	3					7	8	9	10	11	12	SALEABLE		
KEY A, BLACK, W/ CPA	160111-6044	A-BLK	GCP	PLR	CPA	M	R	1	2						7	8	9	10			SALEABLE		
KEY A, BLACK, W/ CPA	160111-6045	A-BLK	GCP	PLR	CPA	M	R	1	2		4	5	6	7	8	9	10				SALEABLE		

THIS DRAWING CONTAINS INFORMATION THAT IS PROPRIETARY TO MOLEX ELECTRONIC TECHNOLOGIES, LLC AND SHOULD NOT BE USED WITHOUT WRITTEN PERMISSION

DIMENSION UNITS	SCALE	CURRENT REV DESC: SEE REVISION TABLE		
mm	1:1			
GENERAL TOLERANCES (UNLESS SPECIFIED)				
ANGULAR TOL	±	°		
4 PLACES	±			
3 PLACES	±			
2 PLACES	±			
1 PLACE	±			
0 PLACES	±			
DRAFT WHERE APPLICABLE MUST REMAIN WITHIN DIMENSIONS				
		THIRD ANGLE PROJECTION	DRAWING	SERIES
		⊕	D-SIZE	160111
			MATERIAL NUMBER	CUSTOMER
			CHARTED	

EC NO: 674870
DRWN: SCV 2021/08/23
CHK'D: GGA 2021/08/27
APPR: GGA 2021/08/27

INITIAL REVISION:
DRWN: ADING03 2017/01/16
APPR: KDEKOSKI 2017/01/17

DOCUMENT NUMBER	DOC TYPE	DOC PART	REVISION
1601110000	PSD	000	D4

MX150 HYBRID MAT SEAL RCPT CONN ASM


PRODUCT CUSTOMER DRAWING

SHEET NUMBER: 5 OF 7

SHEET DESCRIPTION
12W HYBRID CONNECTOR BOM

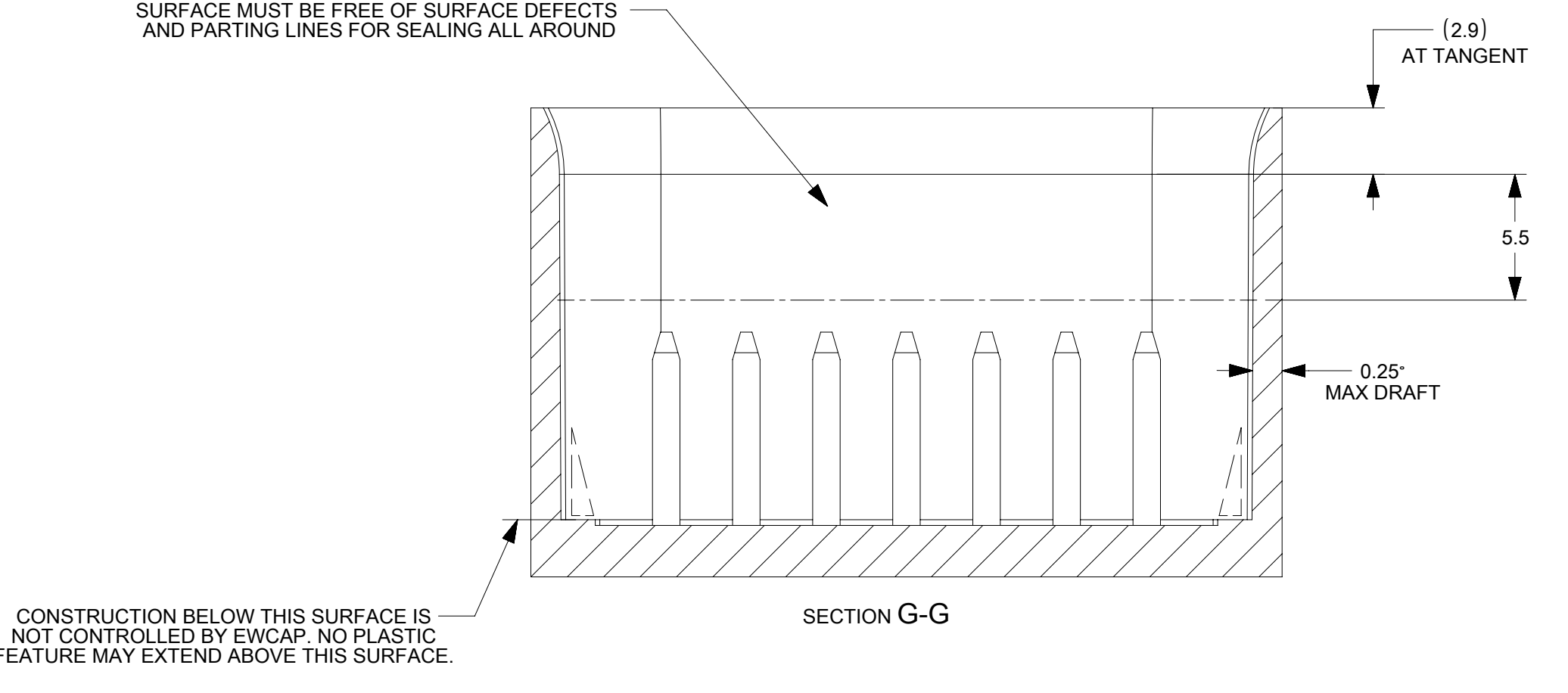
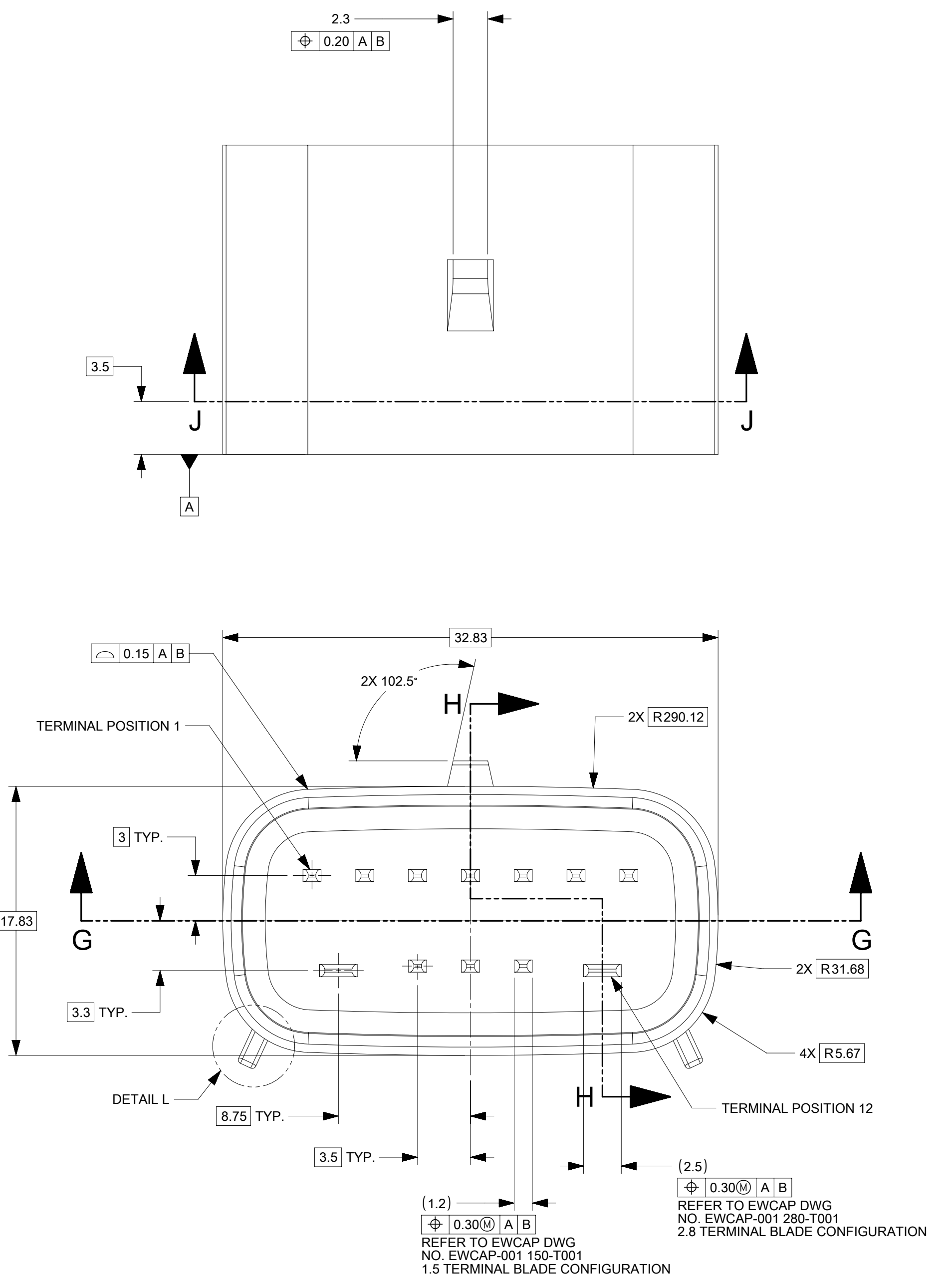
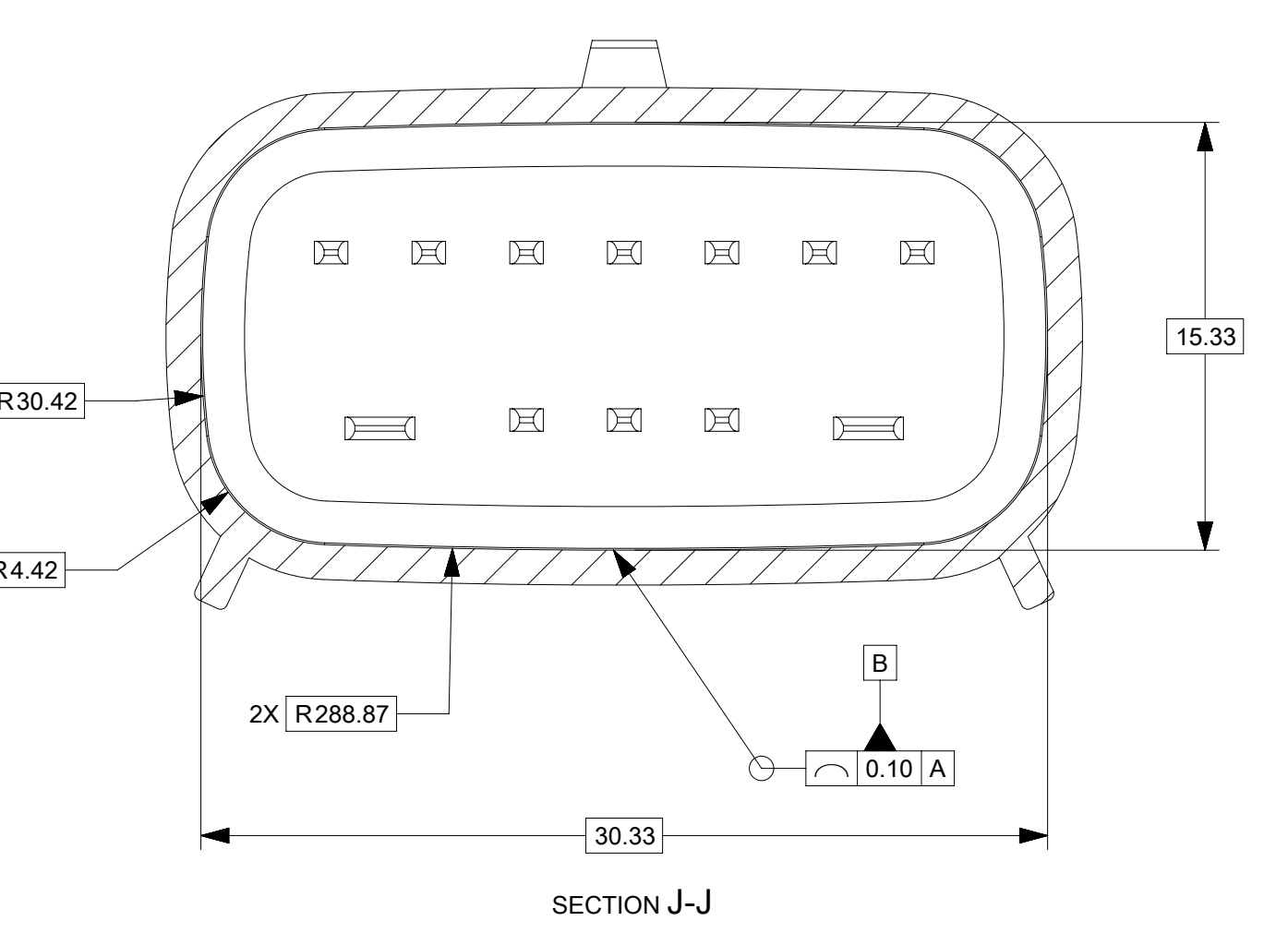
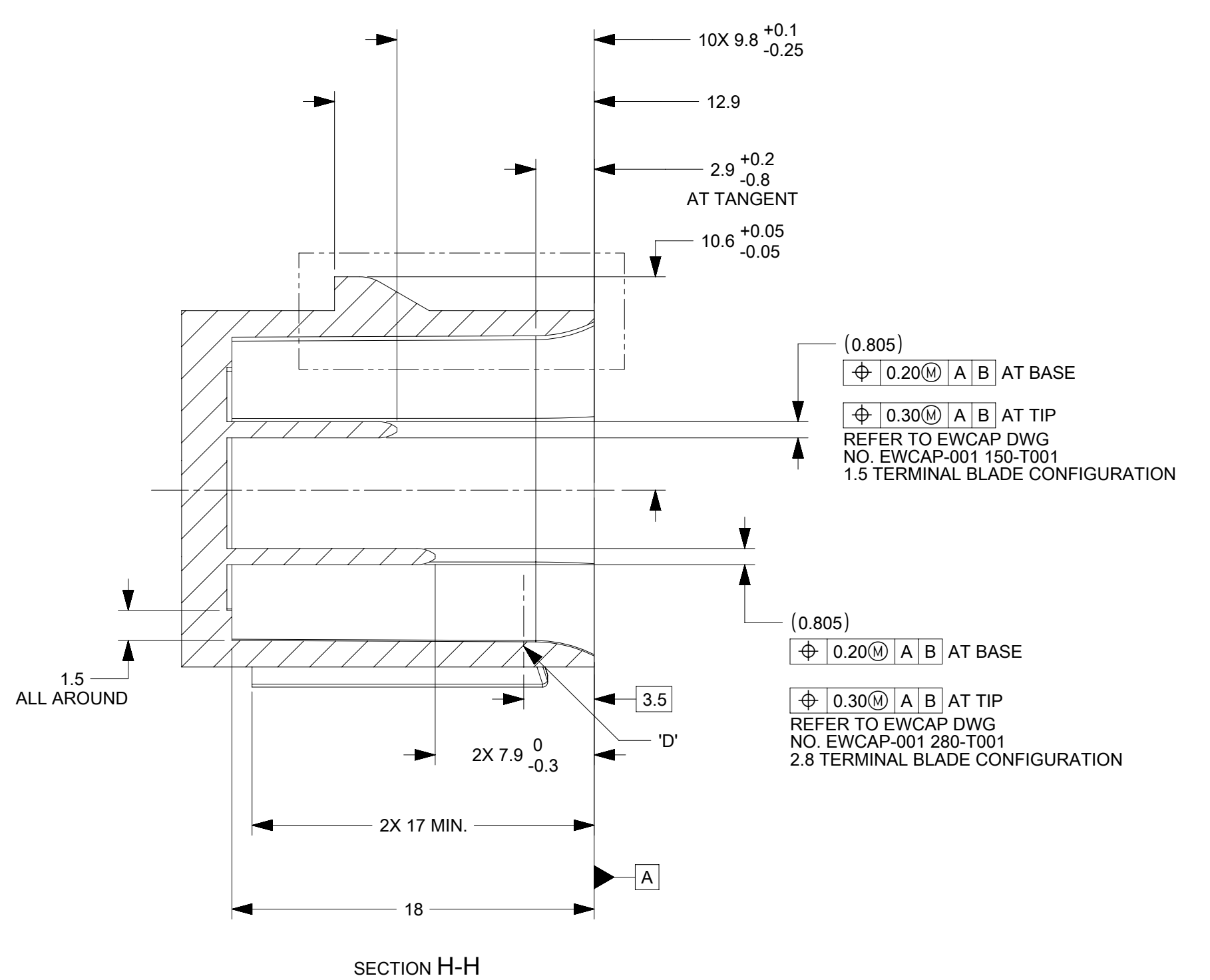
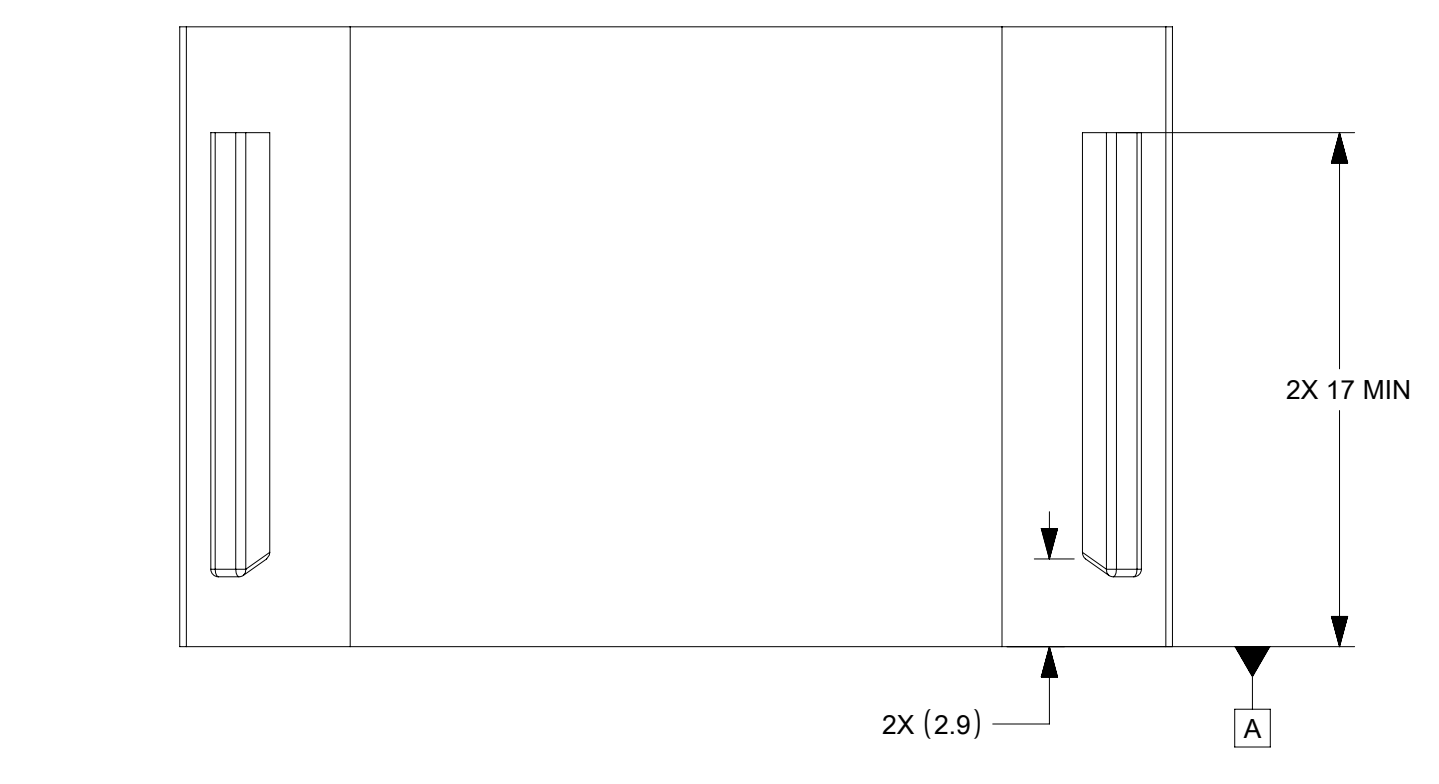
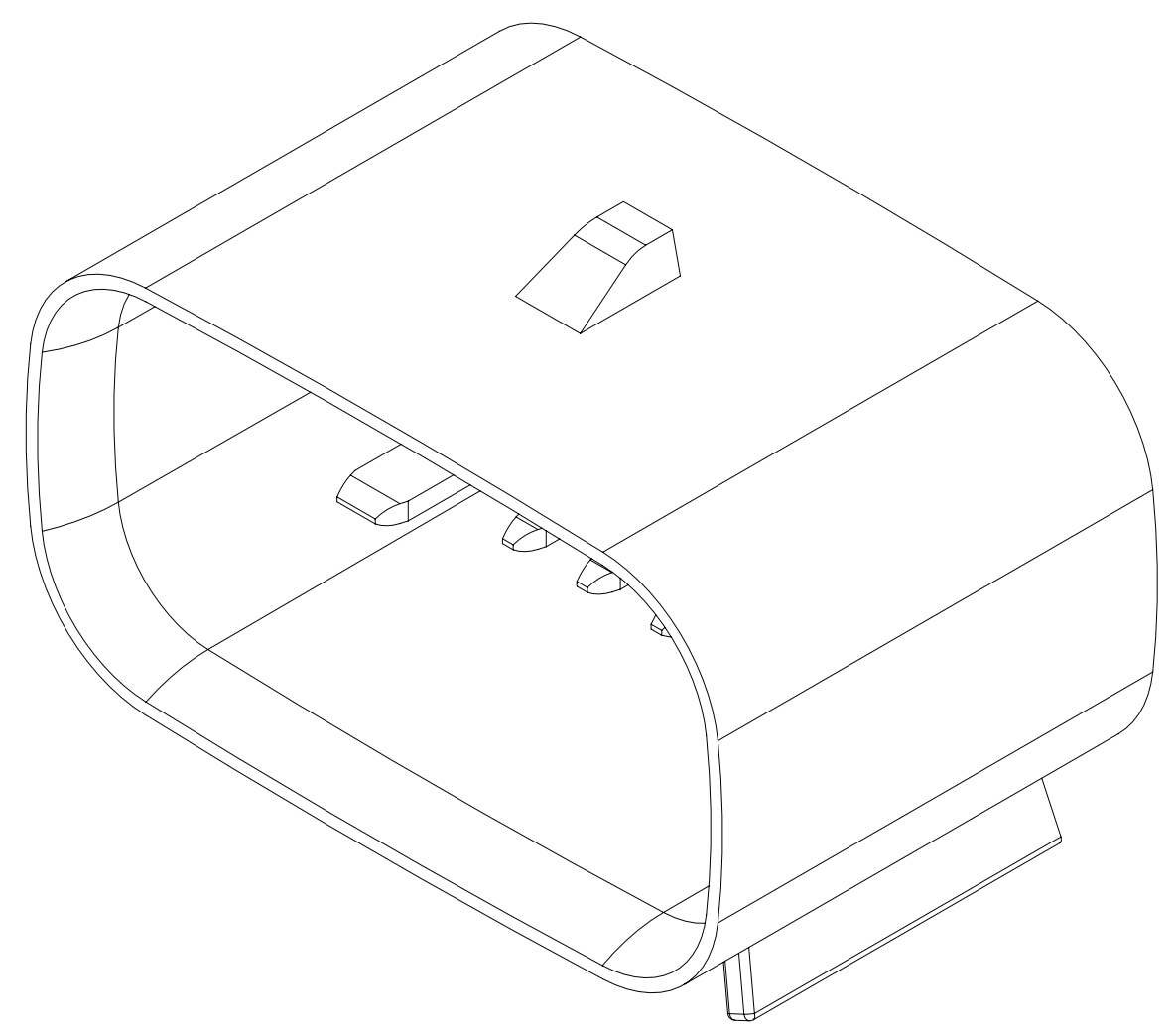
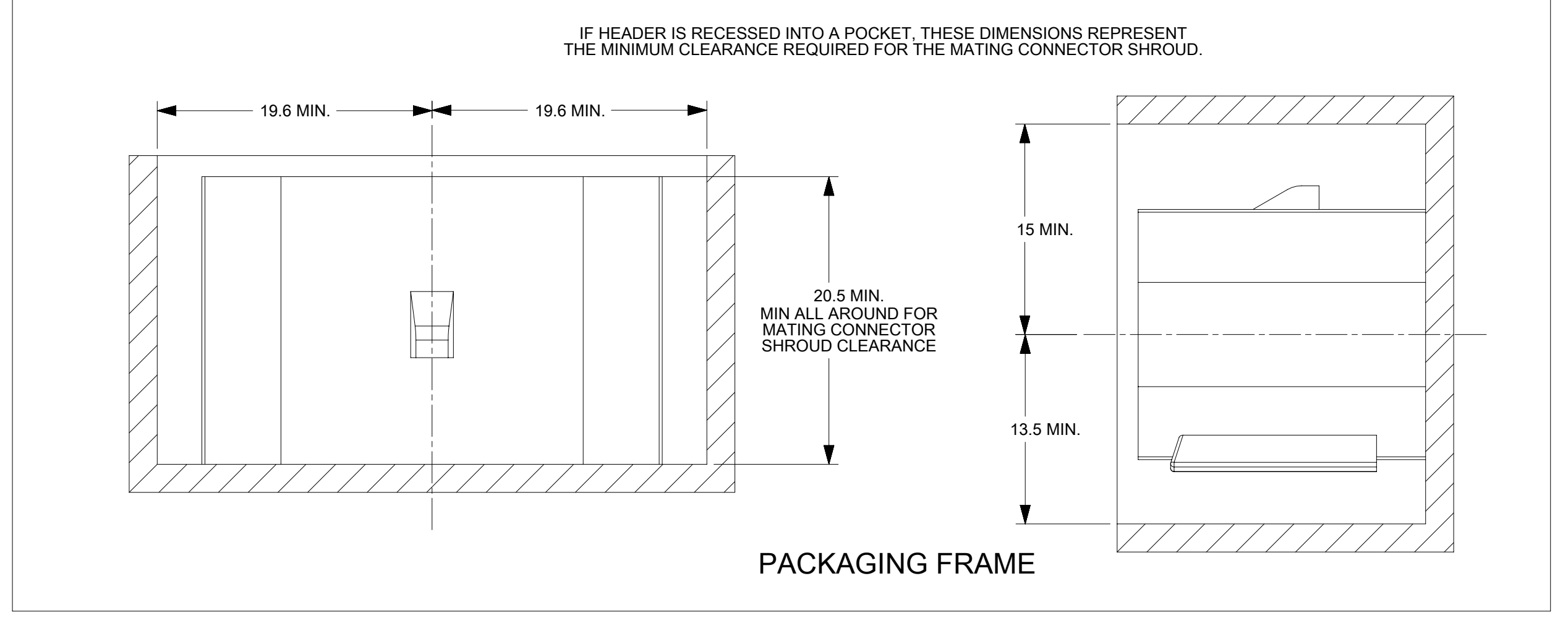
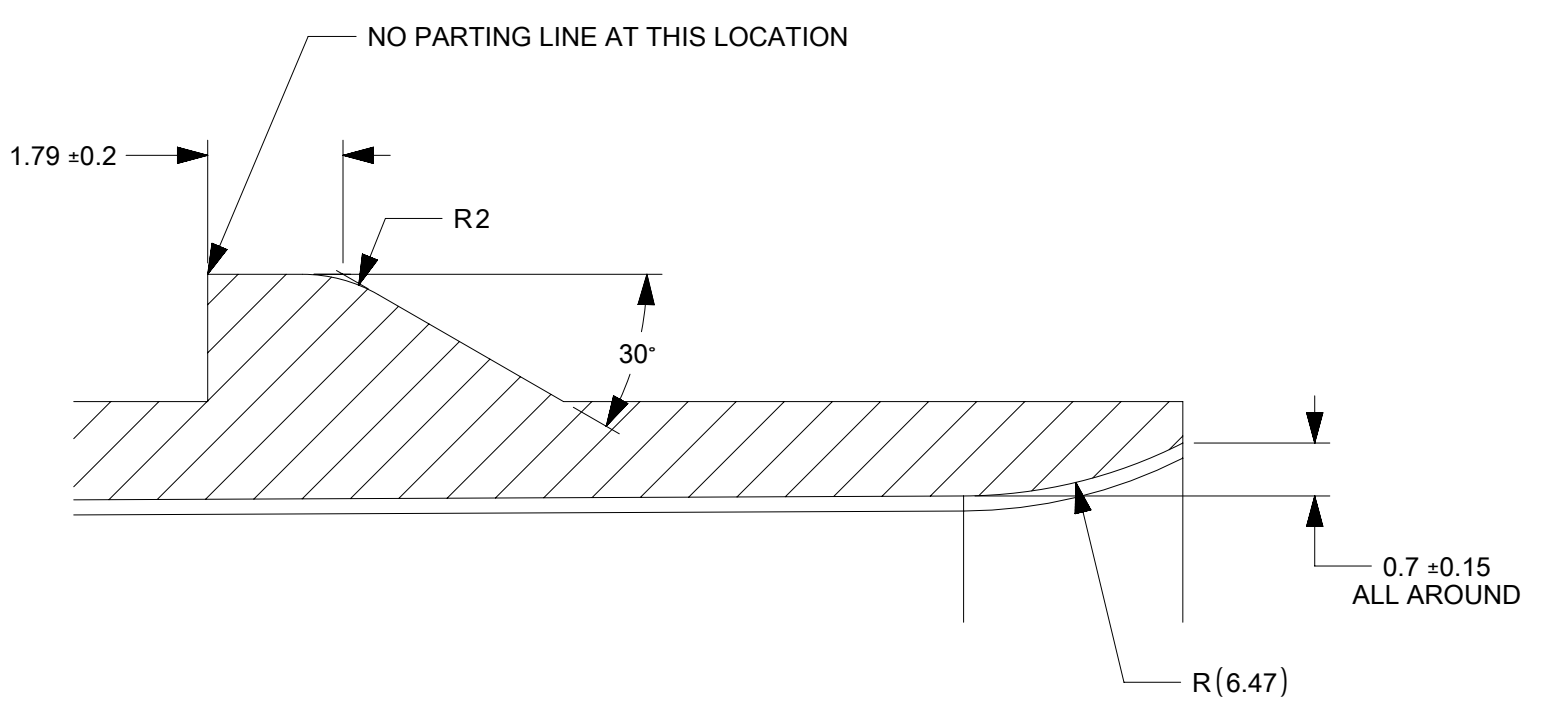
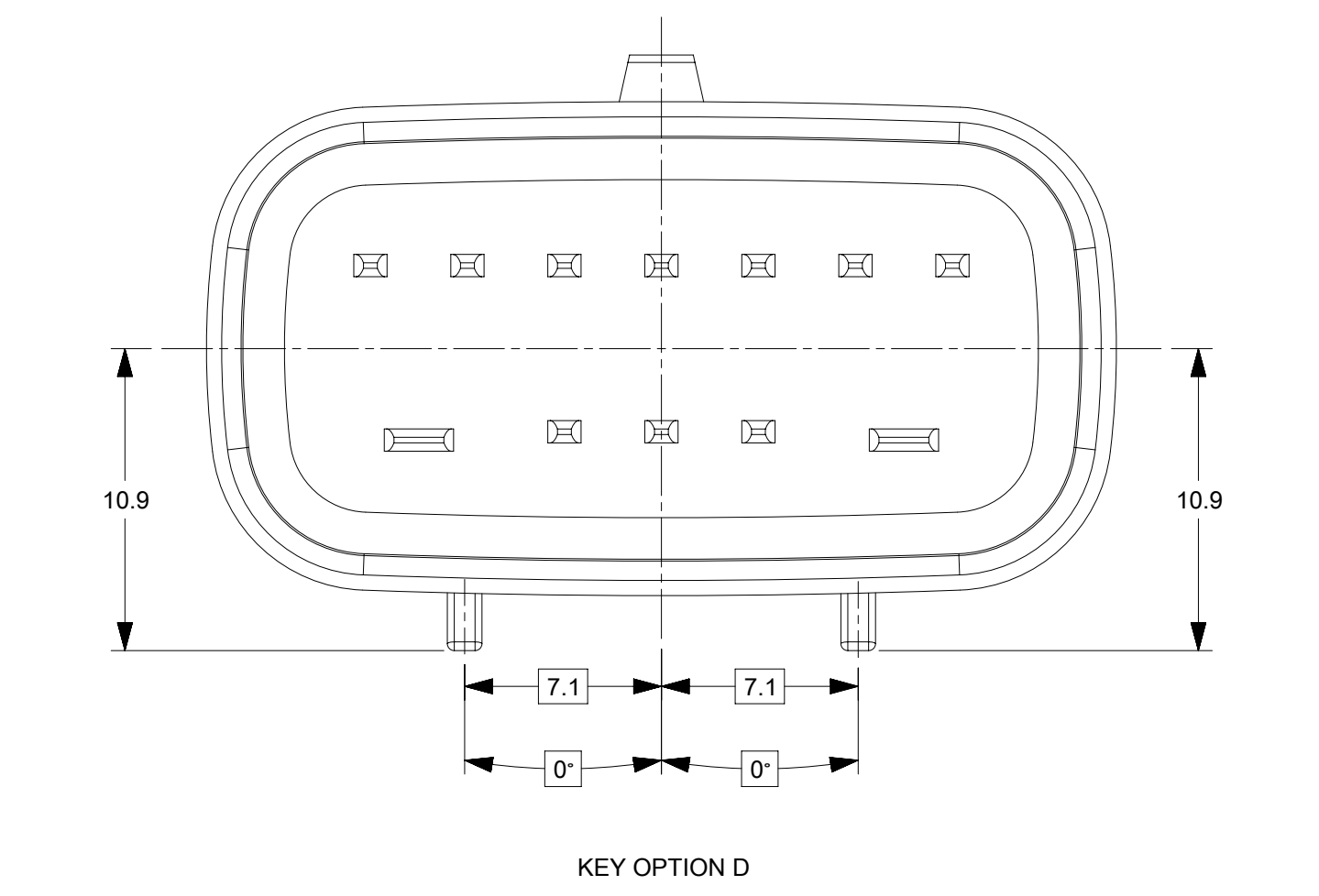
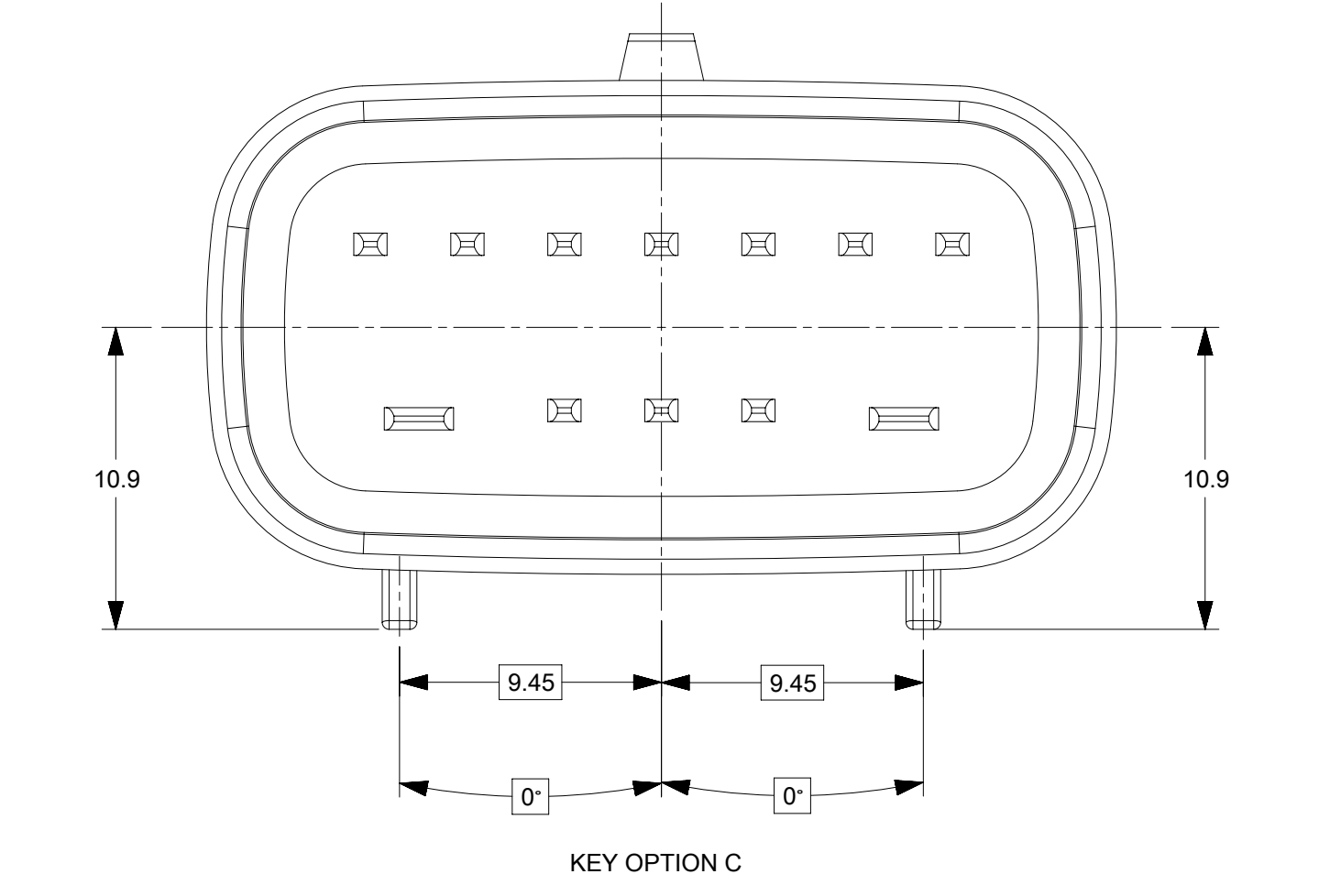
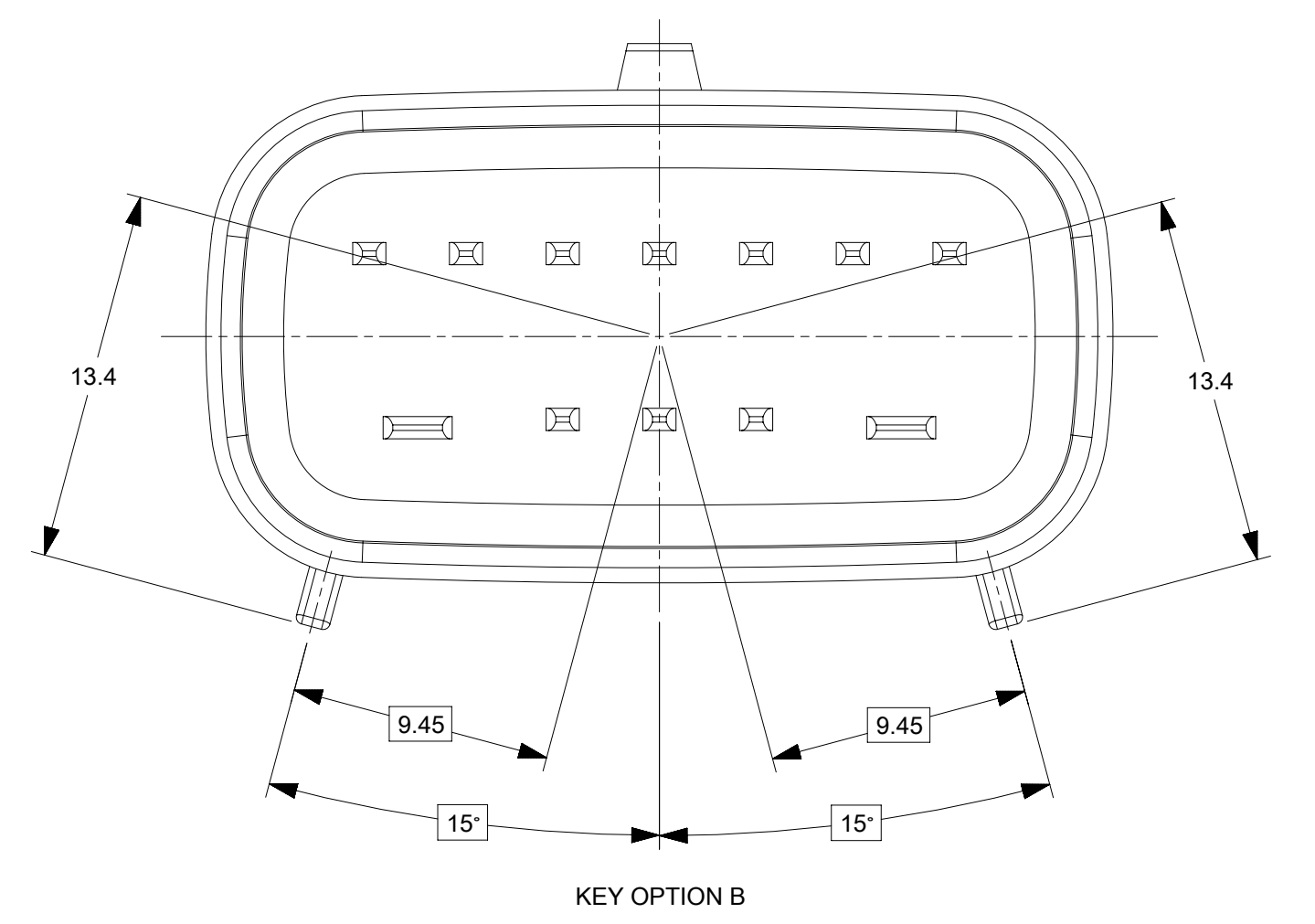
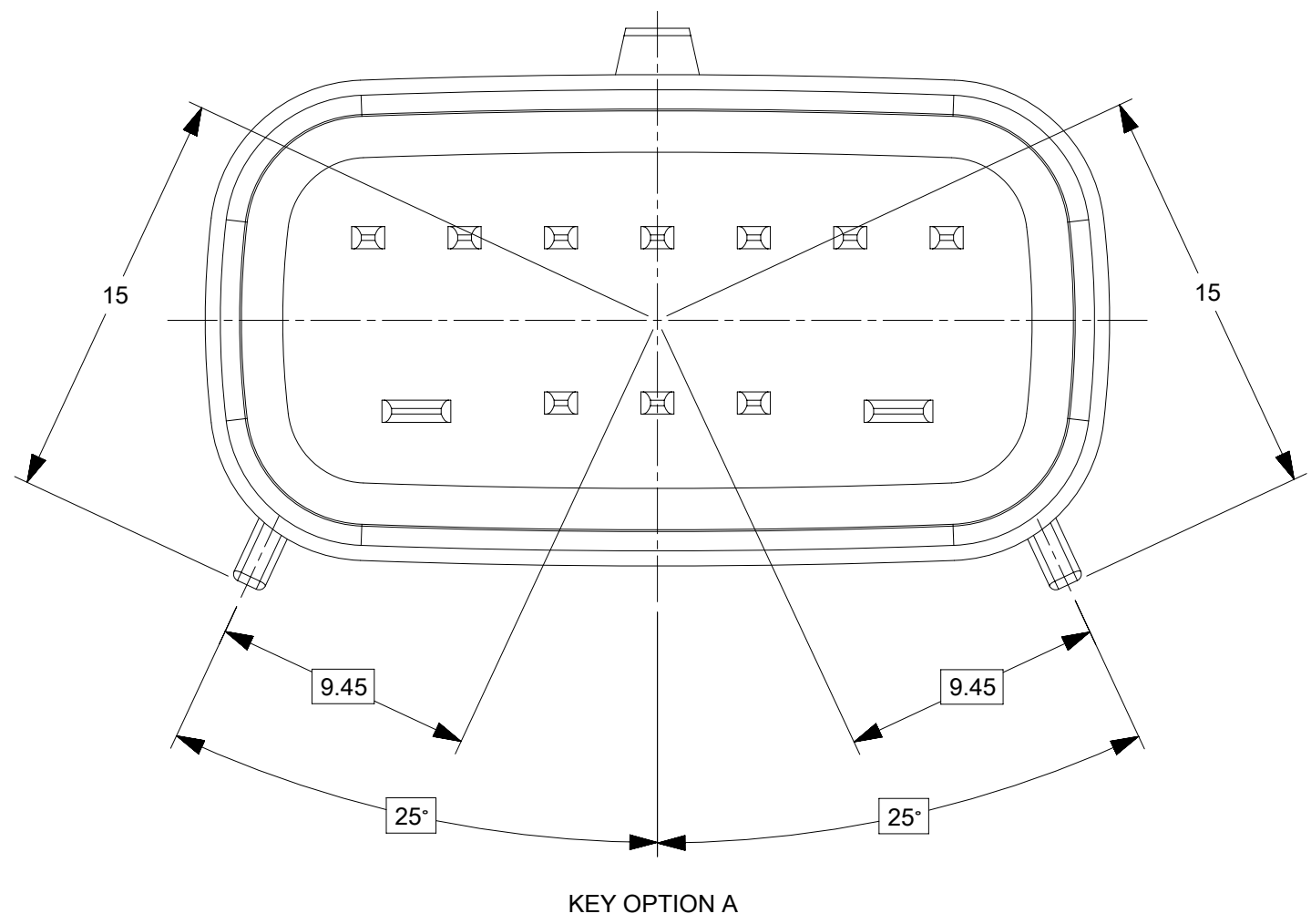
ASSEMBLY DESCRIPTION	ASSEMBLY PART NUMBER	COMPONENT						BLOCKED TERMINALS												STATUS	COMMENTS	OPTIONAL ATTACHMENTS SOLD SEPERATELY							
		THE PRESENCE OF AN ABBREVIATION INDICATES THE PRESENCE OF THAT COMPONENT.						CAVITY WITH A NUMBER INDICATES BLOCKED TERMINAL POSITION CAVITY WITHOUT A NUMBER INDICATES OPEN TERMINAL POSITION														BACKSHELL WITH RIBS	BACKSHELL WITHOUT RIBS						
		HOUSING KEY/COLOR	GROMMET CAP	PLR	CPA	MAT SEAL	RING SEAL	1	2	3	4	5	6	7	8	9	10	11	12										
KEY A, BLACK, W/ CPA, W/ EX. CLIPSLOT	160111-6046	A-BLK-ECLIP	GCP-ECLIP	PLR	CPA	M	R	1	2	3				7										SALEABLE					
KEY A, BLACK, W/ CPA, W/ EX. CLIPSLOT	160111-6047	A-BLK-ECLIP	GCP-ECLIP	PLR	CPA	M	R		2			4	5	6											SALEABLE				
KEY A, BLACK, W/ CPA, W/ EX. CLIPSLOT	160111-6048	A-BLK-ECLIP	GCP-ECLIP	PLR	CPA	M	R	1	2	3	4	5	6	7											SALEABLE				
KEY A, BLACK, W/ CPA, W/ EX. CLIPSLOT	160111-6049	A-BLK-ECLIP	GCP-ECLIP	PLR	CPA	M	R	1	2	3	4	5	6	7								11			SALEABLE				
KEY A, BLACK, W/ CPA, W/ EX. CLIPSLOT	160111-6050	A-BLK-ECLIP	GCP-ECLIP	PLR	CPA	M	R									9	10								SALEABLE				
KEY A, BLACK, W/ CPA, W/ EX. CLIPSLOT	160111-6051	A-BLK-ECLIP	GCP-ECLIP	PLR	CPA	M	R	1			3	4	5	6	7										SALEABLE				
KEY A, BLACK, W/ CPA, W/ EX. CLIPSLOT	160111-6052	A-BLK-ECLIP	GCP-ECLIP	PLR	CPA	M	R				4	5	6												SALEABLE				
KEY A, BLACK, W/ CPA, W/ EX. CLIPSLOT	160111-6053	A-BLK-ECLIP	GCP-ECLIP	PLR	CPA	M	R	1			3				7										SALEABLE				
KEY A, BLACK, W/ CPA	160111-6054	A-BLK	GCP	PLR	CPA	M	R					5		7								11	12		SALEABLE				
KEY A, BLACK, W/ CPA	160111-6055	A-BLK	GCP	PLR	CPA	M	R	1	2					7									12		SALEABLE				
KEY A, BLACK, W/ CPA	160111-6056	A-BLK	GCP	PLR	CPA	M	R							7									12		SALEABLE				
KEY A, BLACK, W/ CPA	160111-6057	A-BLK	GCP	PLR	CPA	M	R	1	2			5		7								11	12		SALEABLE				
KEY A, BLACK, W/ CPA, W/ EX. CLIPSLOT	160111-6058	A-BLK-ECLIP	GCP-ECLIP	PLR	CPA	M	R	1	2	3				7								11			SALEABLE				
KEY A, BLACK, W/O CPA, W/ EX. CLIPSLOT	160111-6059	A-BLK-ECLIP	GCP-ECLIP	PLR		M	R	1	2	3	4	5	6	7	8	9	10	11	12						SALEABLE				
KEY A, BLACK, W/O CPA	160111-6060	A-BLK	GCP	PLR		M	R									9	10								SALEABLE				
KEY A, BLACK, W/ CPA, W/ EX. CLIPSLOT	160111-6061	A-BLK-ECLIP	GCP-ECLIP	PLR	CPA	M	R									8									SALEABLE				
KEY A, BLACK, W/ CPA	160111-6062	A-BLK	GCP	PLR	CPA	M	R	1	2		4	5	6	7											SALEABLE				
KEY A, BLACK, W/ CPA	160111-6063	A-BLK	GCP	PLR	CPA	M	R		2	3	4		6	7			9	10							SALEABLE				

D4
D4

THIS DRAWING CONTAINS INFORMATION THAT IS PROPRIETARY TO MOLEX ELECTRONIC TECHNOLOGIES, LLC AND SHOULD NOT BE USED WITHOUT WRITTEN PERMISSION											
DIMENSION UNITS	SCALE	CURRENT REV DESC: SEE REVISION TABLE									
mm	1:1	 MX150 HYBRID MAT SEAL RCPT CONN ASM PRODUCT CUSTOMER DRAWING									
GENERAL TOLERANCES (UNLESS SPECIFIED)											
ANGULAR TOL	± °										
4 PLACES	±										
3 PLACES	±										
2 PLACES	±	EC NO: 674870	2021/08/23								
1 PLACE	±	DRWN: SCV	2021/08/27								
0 PLACES	±	CHK'D: GGA	2021/08/27								
INITIAL REVISION:		APPR: GGA	2021/08/27								
DRAFT WHERE APPLICABLE MUST REMAIN WITHIN DIMENSIONS		DRWN: ADING03	2017/01/16								
THIRD ANGLE PROJECTION		APPR: KDEKOSKI	2017/01/17								
DRAWING		SERIES	MATERIAL NUMBER	CUSTOMER	DOCUMENT NUMBER	DOC TYPE	DOC PART	REVISION			
D-SIZE		160111	1601110000	CHARTED	1601110000	PSD	000	D4			
SHEET NUMBER		6 OF 7									

SEE NOTES

SHEET DESCRIPTION
12W HYBRID INTERFACE DEFINITION



- NOTES: UNLESS OTHERWISE SPECIFIED
- ALL DIMENSIONS SHOWN IN MILLIMETERS.
 - DIMENSIONING AND TOLERANCING PER ASME Y14.5M-1994
 - 0.25 RADII ON ALL CORNERS SHOWN SHARP.
 - UNSPECIFIED RADII: 0.25 EXCEPT AS NOTED.
 - STANDARD COLORS FOR POLARIZATION (SEE CHART). DEVIATION REQUIRES APPROVAL OF AUTHORIZED PERSON.
 - REFER TO "SAE/USCAR 12 CONNECTOR GUIDELINES" FOR ADDITIONAL REQUIREMENTS.
 - EXCEPT WHERE NOTED, DRAFT ON OUTSIDE SURFACES IS PERMISSIBLE WITHIN TOLERANCE.
 - SYMBOL INDICATES DRAFT DIRECTION.
 - FOR TERMINAL MATERIAL, DIMENSIONAL, AND COATING REQUIREMENTS AND ANY BLADE TERMINAL DESIGN INFORMATION NOT SHOWN ON THIS DRAWING SEE EWCAP DRW. NO. EWCAP-001
 - A FULL SHROUD ON THE MATING CONNECTOR IS REQUIRED TO INSURE THAT THE CONNECTOR-HEADER POLARIZATION FEATURES (OPTIONS A THRU D) WILL FUNCTION. THE FULL SHROUD ALSO PREVENT SCOOP DAMAGE TO THE HEADER PINS. REFER TO "SAE/USCAR-12 CONNECTOR DESIGN GUIDE LINES" FOR ADDITIONAL INFORMATION.
 - REFER TO USCAR/EWCAP PART LIST AS FOUND ON WEBSITE <http://www.uscarteams.org>
 - THIS IS 100% CAD GENERATED PART. THE CAD MATHEMATICAL DATA IS THE MASTER FOR THIS PART. FOR DIMENSIONAL OR ANY INFORMATION NOT SHOWN ON THIS DRAWING. ANALYZE THE CAD MODEL

NOTICE

THIS DRAWING OR PORTIONS OF IT, ARE CONTROLLED BY THE ELECTRICAL WIRING COMPONENTS APPLICATION PARTNERSHIP (EWCAP), A SUBGROUP OF THE UNITED STATES CONSORTIUM FOR AUTOMOTIVE RESEARCH LLC (USCAR). USCAR IS A PARTNERSHIP BETWEEN CHRYSLER GROUP LLC, FORD MOTOR COMPANY, AND GENERAL MOTORS CORPORATION. ANY CHANGE TO A EWCAP CONTROLLED PORTION OF THIS DRAWING, INCLUDING A "RECORD CHANGE" MUST BE APPROVED, IN WRITING, BY THE RESPONSIBLE EWCAP MEMBER FROM EACH USCAR COMPANY. EACH EWCAP MEMBER AUTHORIZED TO SIGN FOR HIS OR HER COMPANY IS RESPONSIBLE FOR OBTAINING ALL NECESSARY APPROVALS WITHIN THAT COMPANY PRIOR TO SIGNING FOR APPROVAL OF THE CHANGE. EWCAP EXPRESSLY PROHIBITS ANY PARTY FROM CHANGING EITHER ANY EWCAP CONTROLLED PORTION OF THIS DRAWING OR ANY ASSOCIATED TOOLING BEFORE RECEIVING AN APPROVAL SIGNED BY AN AUTHORIZED REPRESENTATIVE FROM EACH EWCAP PARTNER. REFERENCE TO THE SIGNED APPROVAL FORM MUST BE ENTERED IN THIS DRAWING'S CONTROL COLUMN.

A6	ADDED NOTES AND NOTICE	1/16/17	AD	MV	
A	DESIGN RELEASE	4/18/16	AD	MV	
LET	REVISION RECORD	DATE	DWN	CHK	

THIS DRAWING CONTAINS INFORMATION THAT IS PROPRIETARY TO MOLEX ELECTRONIC TECHNOLOGIES, LLC AND SHOULD NOT BE USED WITHOUT WRITTEN PERMISSION

DIMENSION UNITS	SCALE	CURRENT REV DESC: SEE REVISION TABLE			
mm	1:1	<p>molex</p> <p>MX150 HYBRID MAT SEAL RCPT CONN ASM</p> <p>PRODUCT CUSTOMER DRAWING</p> <p>DOCUMENT NUMBER: 1601110000</p> <p>DOC TYPE: PSD DOC PART: 000 REVISION: D4</p>			
GENERAL TOLERANCES (UNLESS SPECIFIED)					
ANGULAR TOL	± °				
4 PLACES	±				
3 PLACES	±				
2 PLACES	±				
1 PLACE	±	EC NO: 674870	2021/08/23		
0 PLACES	±	DRWN: SCV	2021/08/27		
DRAFT WHERE APPLICABLE MUST REMAIN WITHIN DIMENSIONS		CHK'D: GGA	2021/08/27		
THIRD ANGLE PROJECTION		APPR: GGA	2021/08/27		
SERIES		INITIAL REVISION:			
E-SIZE 160111		DRWN: ADING03	2017/01/16		
MATERIAL NUMBER		APPR: KDEKOSKI	2017/01/17		
CUSTOMER		SHEET NUMBER			
CHARTERD		7 OF 7			

999-S-012-2-D01	D	STONE GRAY
999-S-012-2-C01	C	DARK GRAY
999-S-012-2-B01	B	LIGHT GRAY
999-S-012-2-A01	A	BLACK

EWCAP P/N	OPTION	MATING CONNECTOR COLOR
DOCUMENT STATUS	P1	RELEASE DATE
		2021/08/27 04:44:55