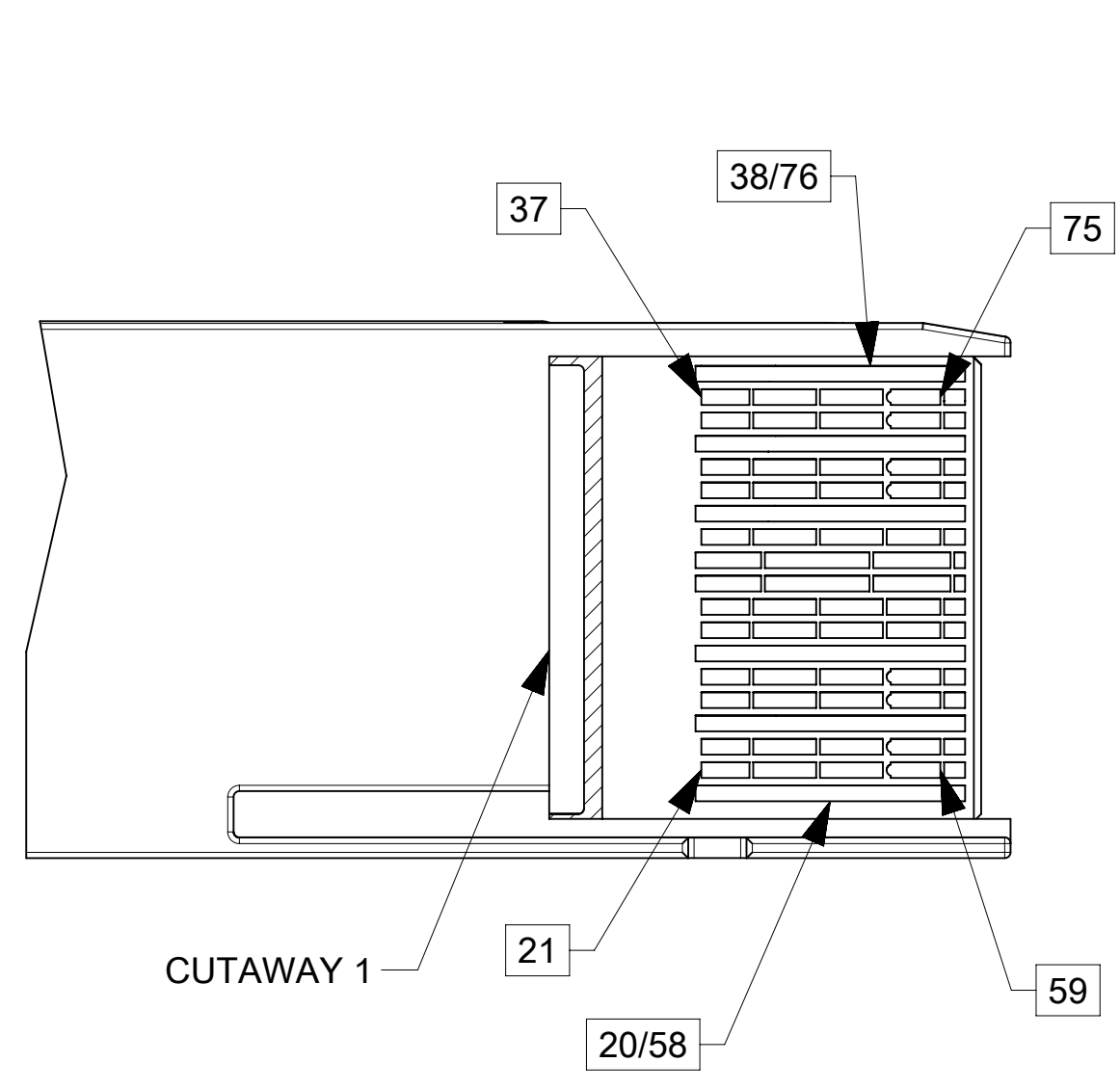


MOLEX P/N	LENGTH (M)	TOL. (MM)	AWG
2058561005	0.5	+/- 50	30
2058561010	1.0	+/- 50	30
2058561015	1.5	+/- 80	30
2058563005	0.5	+/- 50	28
2058563010	1.0	+/- 50	28
2058563015	1.5	+/- 80	28
2058563020	2.0	+/- 80	28
2058563025	2.5	+/- 80	28
2058563030	3.0	+/- 80	26

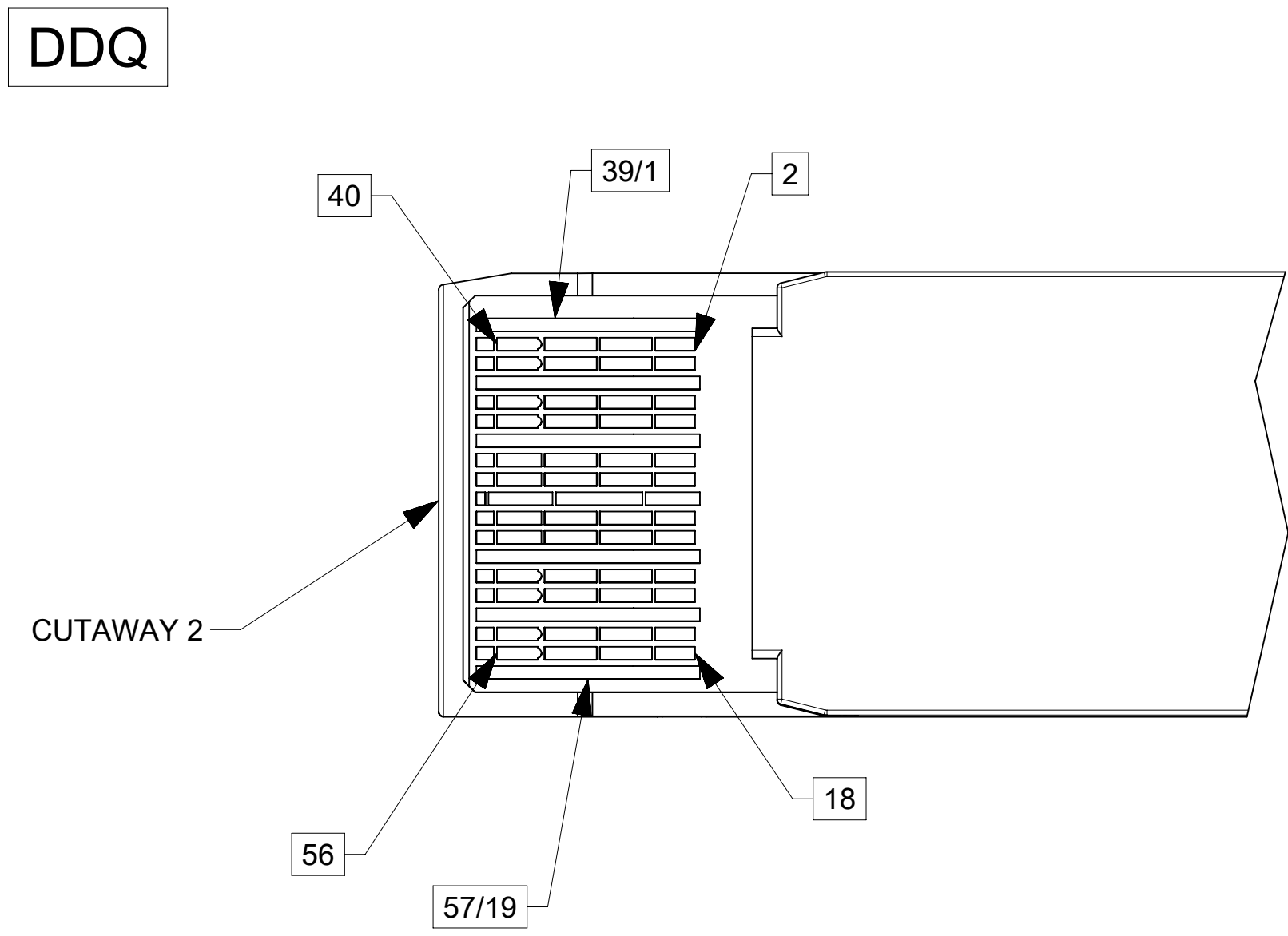
**!** TENTATIVE PROPOSAL  
PENDING ELECTRICAL QUALIFICATION

- NOTES:**
- MATERIALS**  
BACKSHELLS - NICKEL PLATED ZINC  
ZSFP END DE-LATCH - PLASTIC  
DDQ END DE-LATCH - STAINLESS STEEL WITH OVERMOLDED NYLON  
RIVETS - STAINLESS STEEL
  - EACH ASSEMBLY HAS A SERIAL ID
  - RoHS COMPLIANT, NO EXEMPTIONS.
  - CABLE LENGTH DEPENDS ON WIRE GAUGE, DATA RATE, AND HOST BOARD DRIVER CAPABILITIES
  - IMPEDANCE - 100 OHMS DIFFERENTIAL
  - CABLE IS UL RECOGNIZED PER UL AWM STYLE 21479
  - EEPROM MAP AVAILABLE UPON REQUEST

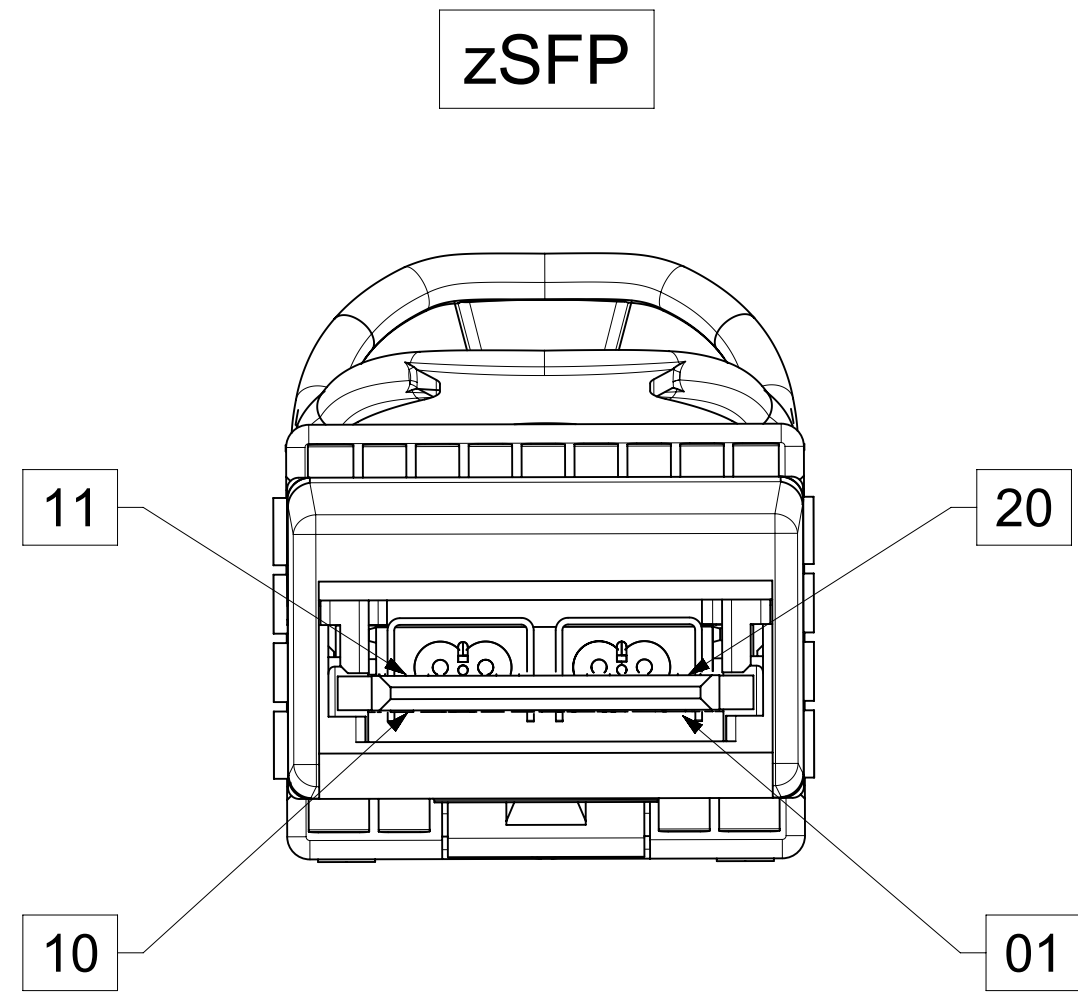
<b>FUNCTIONAL SYMBOLS</b> FA = 0 FC = 0 FP = 0 <b>DIVISIONAL SYMBOLS</b>	THIS DRAWING CONTAINS INFORMATION THAT IS PROPRIETARY TO MOLEX ELECTRONIC TECHNOLOGIES, LLC AND SHOULD NOT BE USED WITHOUT WRITTEN PERMISSION DIMENSION UNITS: <b>mm</b> SCALE: <b>1:1.25</b>		CURRENT REV DESC: ADDED LOCATION DIM OF SPEED LABEL EC NO: 635455 DRWN: SKAMATHN 2020/04/07 CHK'D: SCHANNARAYAN 2020/04/07 APPR: KNAGANNA 2020/04/07		 <b>QSFP-DD-8ZSFP 56G CABLE ASSEMBLY</b>	
	GENERAL TOLERANCES (UNLESS SPECIFIED) ANGULAR TOL ± ° 4 PLACES ± 3 PLACES ± 2 PLACES ± 1 PLACE ± 0 PLACES ±		INITIAL REVISION: DRWN: ZDANDURAND 2017/10/25 APPR: ADTUCKER 2017/10/27			
	DRAFT WHERE APPLICABLE MUST REMAIN WITHIN DIMENSIONS		THIRD ANGLE PROJECTION 		DRAWING: <b>D-SIZE</b> SERIES: <b>205856</b> MATERIAL NUMBER: SEE P/N TABLE CUSTOMER: GENERAL MARKET SHEET NUMBER: 1 OF 4	



TOP VIEW

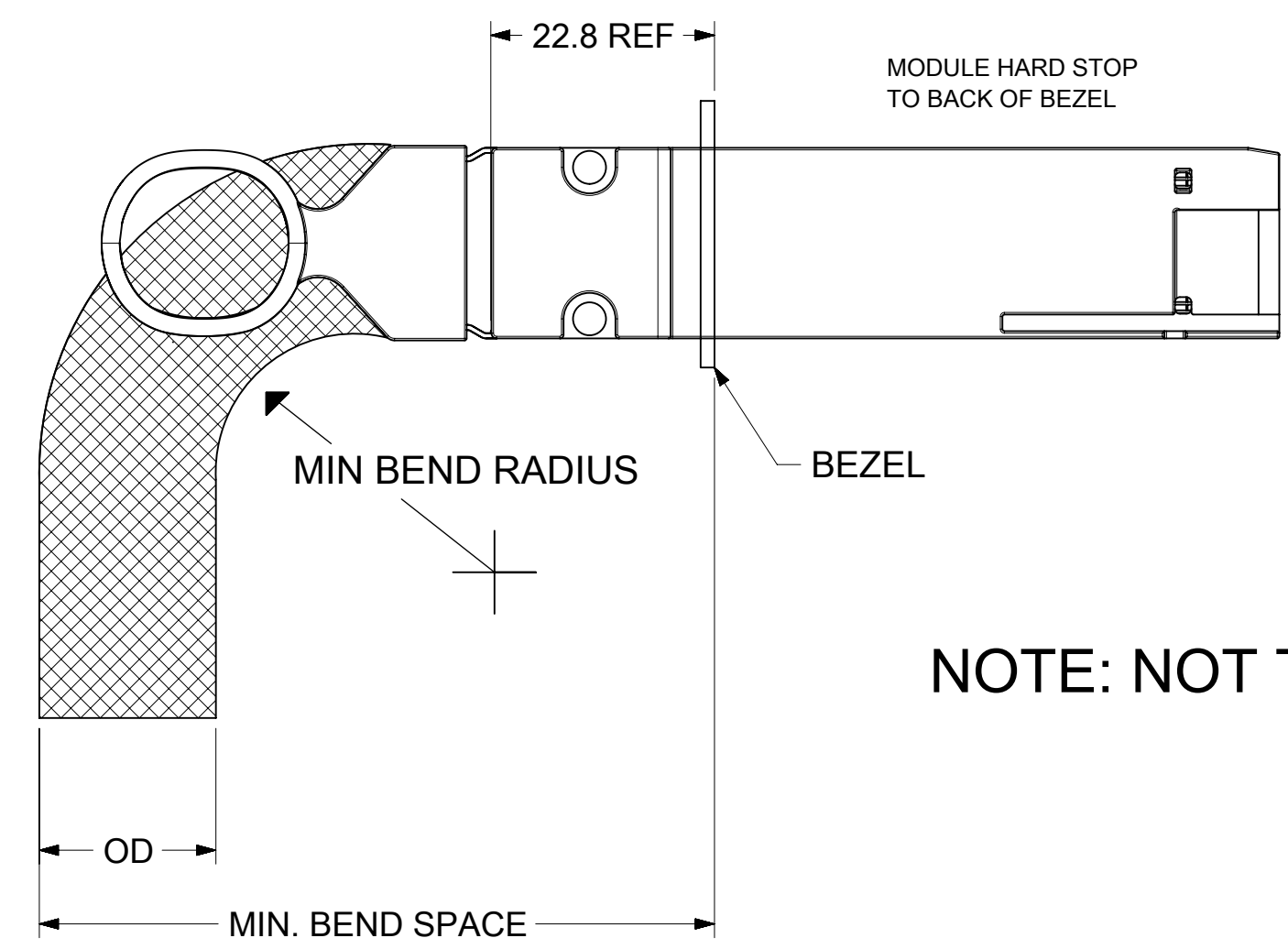


BOTTOM VIEW



zSFP

DDQ CABLE BEND RADIUS

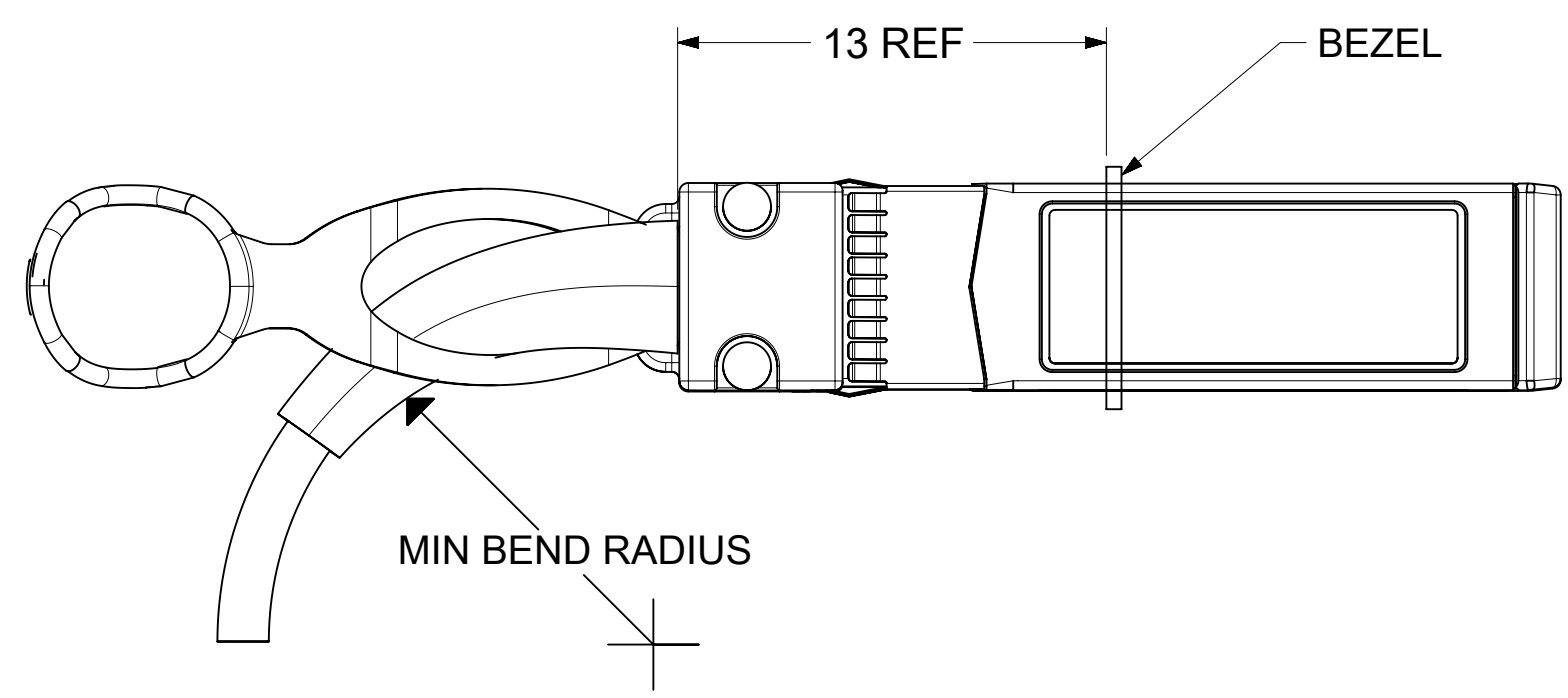


NOTE: NOT TO SCALE

CABLE AWG	OD (mm)	MIN BEND RADIUS (mm)	MIN BEND SPACE (mm)
28	(11)	(66)	(89)
30	(9.4)	(47)	(79)

MINIMUM BEND RADIUS PENDING QUALIFICATION, NUMBERS ABOVE ARE ESTIMATES AND SUBJECT TO CHANGE.

SFP28 CABLE BEND RADIUS



AWG	O.D. (mm)	MIN BEND RADIUS (mm)	MIN BEND SPACE (mm)
28	5.2	(26)	(45)
30	4.83	(24)	(42)

MINIMUM BEND RADIUS PENDING QUALIFICATION, NUMBERS ABOVE ARE ESTIMATES AND SUBJECT TO CHANGE.

<b>FUNCTIONAL SYMBOLS</b> FA = 0 FC = 0 FP = 0 <b>DIVISIONAL SYMBOLS</b>	THIS DRAWING CONTAINS INFORMATION THAT IS PROPRIETARY TO MOLEX ELECTRONIC TECHNOLOGIES, LLC AND SHOULD NOT BE USED WITHOUT WRITTEN PERMISSION		DIMENSION UNITS: <b>mm</b> SCALE: <b>2:1</b>		CURRENT REV DESC: ADDED LOCATION DIM OF SPEED LABEL	
	GENERAL TOLERANCES (UNLESS SPECIFIED) ANGULAR TOL ± °		4 PLACES ± 3 PLACES ± 2 PLACES ± 1 PLACE ± 0 PLACES ±		EC NO: 635455 DRWN: SKAMATHN 2020/04/07 CHK'D: SCHANNARAYAN 2020/04/07 APPR: KNAGANNA 2020/04/07	
	DRAFT WHERE APPLICABLE MUST REMAIN WITHIN DIMENSIONS		THIRD ANGLE PROJECTION		DRAWING: <b>D-SIZE</b> SERIES: <b>205856</b>	
<b>DOCUMENT STATUS</b> P1 RELEASE DATE 2020/04/07 16:10:04			<b>molex</b> QSFP-DD-8ZSFP 56G CABLE ASSEMBLY PRODUCT CUSTOMER DRAWING			
			DOCUMENT NUMBER: <b>2058561005</b> DOC TYPE: PSD DOC PART: 000 REVISION: <b>L1</b>		MATERIAL NUMBER: SEE P/N TABLE CUSTOMER: GENERAL MARKET SHEET NUMBER: 2 OF 4	

WIRING DIAGRAM					
DDQ END			zSFP END		PORT
Pad	Signal		Pad	Signal	
35	GND	----		GND	1
36	TX1p	--->	13	RD+	
37	TX1n	--->	12	RD-	
16	GND	----		GND	
17	RX1p	<---	18	TD+	2
18	RX1n	<---	19	TD-	
1	GND	----		GND	
2	TX2n	--->	12	RD-	
3	TX2p	--->	13	RD+	3
20	GND	----		GND	
21	RX2n	<---	19	TD-	
22	RX2p	<---	18	TD+	
32	GND	----		GND	4
33	TX3p	--->	13	RD+	
34	TX3n	--->	12	RD-	
13	GND	----		GND	
14	RX3p	<---	18	TD+	5
15	RX3n	<---	19	TD-	
4	GND	----		GND	
5	TX4n	--->	12	RD-	
6	TX4p	--->	13	RD+	6
23	GND	----		GND	
24	RX4n	<---	19	TD-	
25	RX4p	<---	18	TD+	
7	GND	----		GND	7
19	GND	----		GND	
26	GND	----		GND	
38	GND	----		GND	

WIRING DIAGRAM					
DDQ END			zSFP END		PORT
Pad	Signal		Pad	Signal	
73	GND	----		GND	5
74	TX5p	--->	13	RD+	
75	TX5n	--->	12	RD-	
54	GND	----		GND	
55	RX5p	<---	18	TD+	6
56	RX5n	<---	19	TD-	
39	GND	----		GND	
40	TX6n	--->	12	RD-	
41	TX6p	--->	13	RD+	7
58	GND	----		GND	
59	RX6n	<---	19	TD-	
60	RX6p	<---	18	TD+	
70	GND	----		GND	8
71	TX7p	--->	13	RD+	
72	TX7n	--->	12	RD-	
51	GND	----		GND	
52	RX7p	<---	18	TD+	9
53	RX7n	<---	19	TD-	
42	GND	----		GND	
43	TX8n	--->	12	RD-	
44	TX8p	--->	13	RD+	10
61	GND	----		GND	
62	RX8n	<---	19	TD-	
63	RX8p	<---	18	TD+	
45	GND	----		GND	11
57	GND	----		GND	
64	GND	----		GND	
76	GND	----		GND	

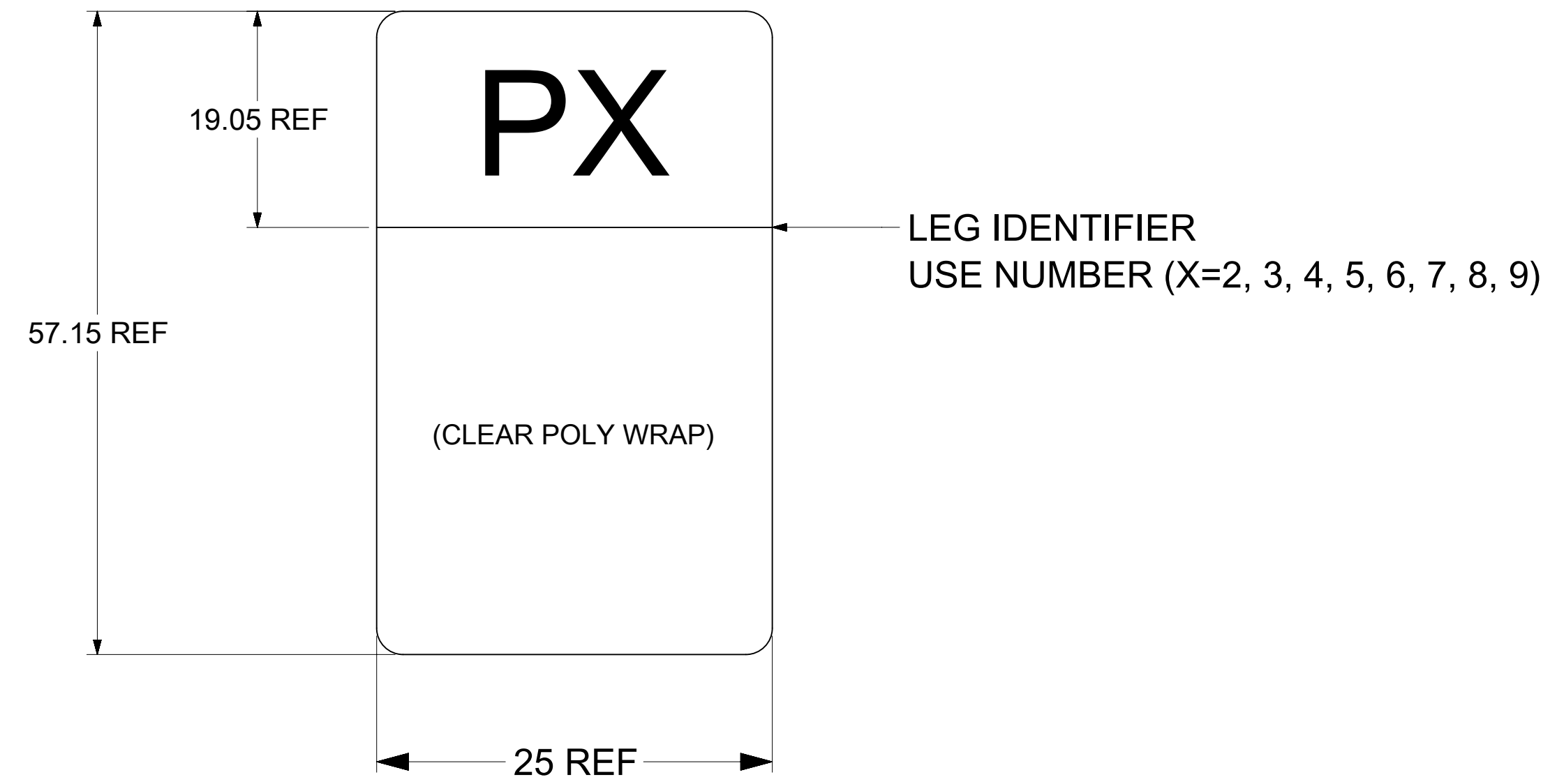
**LEGEND:**

---- = DRAIN LINES

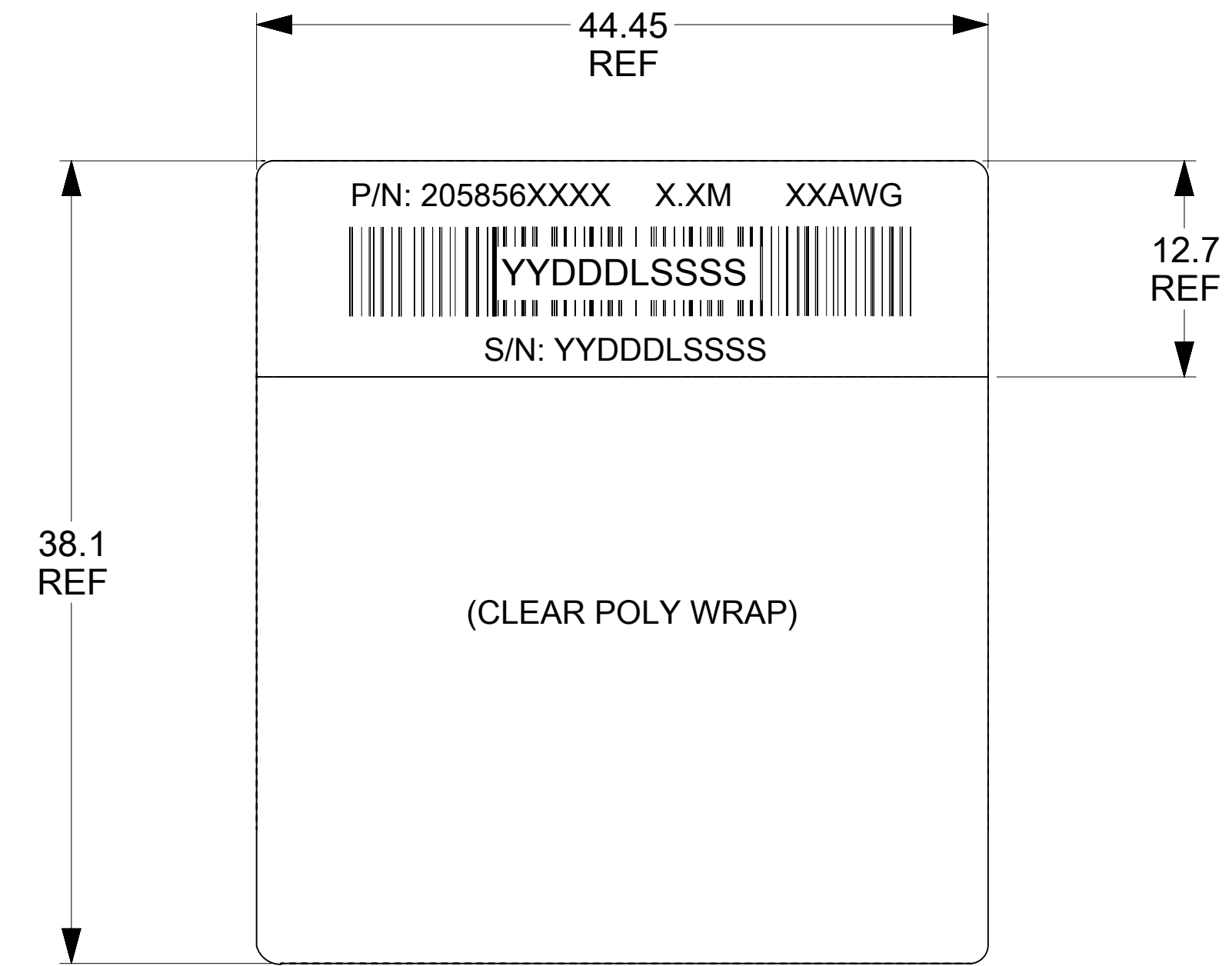
---> = TRANSMIT TO RECEIVE ON HIGH SPEED CIRCUITS

<b>FUNCTIONAL SYMBOLS</b> FA = 0 FC = 0 FP = 0 <b>DIVISIONAL SYMBOLS</b>	THIS DRAWING CONTAINS INFORMATION THAT IS PROPRIETARY TO MOLEX ELECTRONIC TECHNOLOGIES, LLC AND SHOULD NOT BE USED WITHOUT WRITTEN PERMISSION		DIMENSION UNITS: <b>mm</b> SCALE: <b>1:1</b>		CURRENT REV DESC: ADDED LOCATION DIM OF SPEED LABEL				
	GENERAL TOLERANCES (UNLESS SPECIFIED) ANGULAR TOL ± °		EC NO: 635455 DRWN: SKAMATHN 2020/04/07 CHK'D: SCHANNARAYAN 2020/04/07 APPR: KNAGANNA 2020/04/07		PRODUCT CUSTOMER DRAWING				
	4 PLACES ± 3 PLACES ± 2 PLACES ± 1 PLACE ± 0 PLACES ±		INITIAL REVISION: DRWN: ZDANDURAND 2017/10/25 APPR: ADTUCKER 2017/10/27		DOCUMENT NUMBER <b>2058561005</b>		DOC TYPE <b>PSD</b>	DOC PART <b>000</b>	REVISION <b>L1</b>
	DRAFT WHERE APPLICABLE MUST REMAIN WITHIN DIMENSIONS		THIRD ANGLE PROJECTION 	DRAWING <b>D-SIZE</b>	SERIES <b>205856</b>	MATERIAL NUMBER SEE P/N TABLE	CUSTOMER GENERAL MARKET		SHEET NUMBER <b>3 OF 4</b>

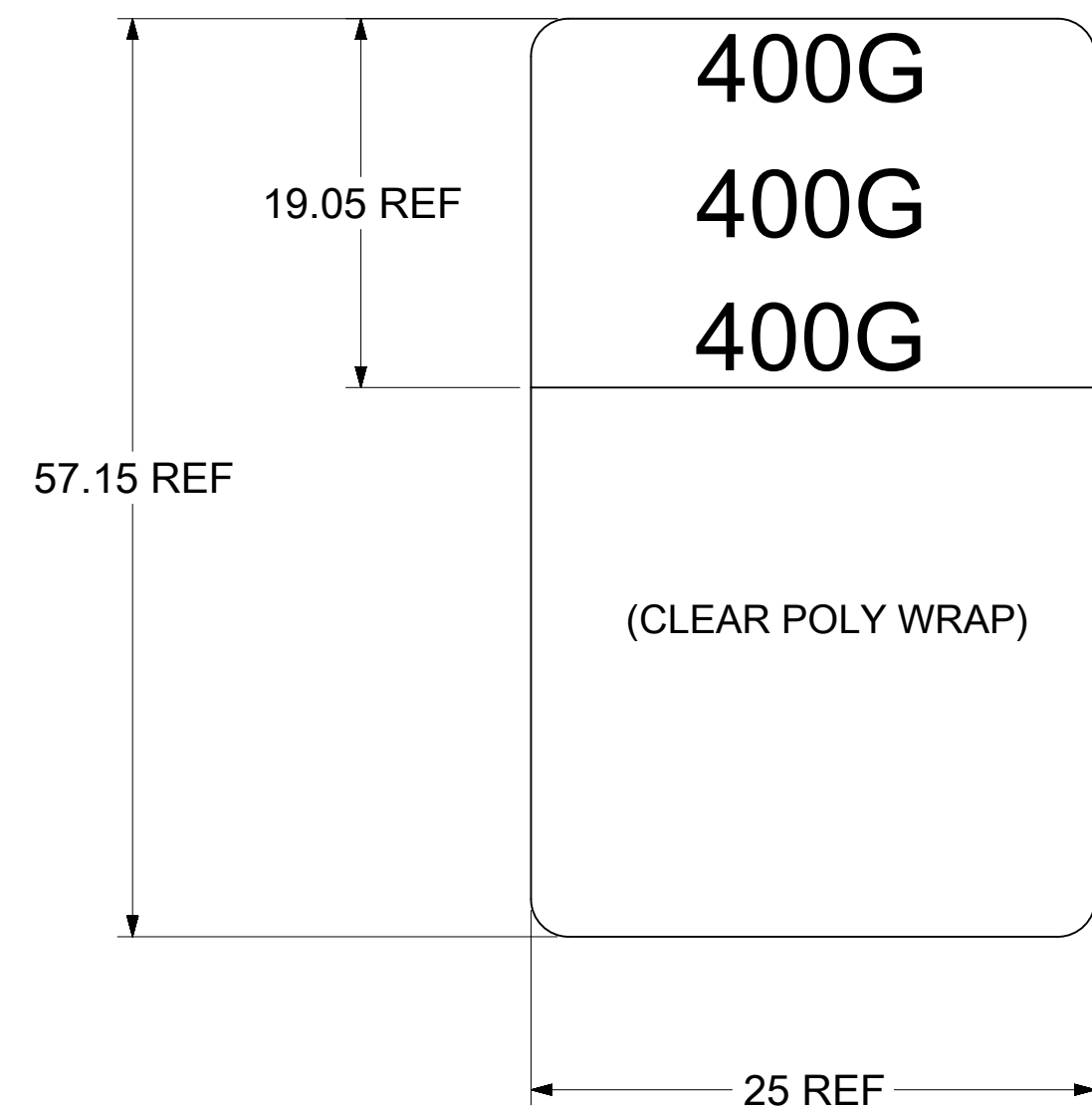
**LEG ID LABEL**



**LABEL DETAILS**



**SPEED LABEL**



P/N: 205856XXXX - MOLEX PART NUMBER (SEE P/N TABLE)

- X.XM - CABLE LENGTH IN METERS (EXAMPLES - 0.5M, 1.0M)
- XXAWG - CABLE SIZE IN AWG (SEE P/N TABLE)
- S/N: YYDDDLSSSS - SERIAL NUMBER
- YY - YEAR, THE LAST 2 DIGITS OF YEAR
- DDD - DAY OF THE YEAR
- L - LOCATION
- 1 - USA
- 2 - MEXICO
- 3 - CHINA
- 4 - PHILIPPINES
- SSSS - SERIAL NUMBER (0001-9999)

<b>FUNCTIONAL SYMBOLS</b> $F_A = 0$ $F_C = 0$ $F_P = 0$	THIS DRAWING CONTAINS INFORMATION THAT IS PROPRIETARY TO MOLEX ELECTRONIC TECHNOLOGIES, LLC AND SHOULD NOT BE USED WITHOUT WRITTEN PERMISSION		CURRENT REV DESC: ADDED LOCATION DIM OF SPEED LABEL					
	<b>DIMENSION UNITS</b> mm	<b>SCALE</b> 1:1	GENERAL TOLERANCES (UNLESS SPECIFIED)					
	<b>ANGULAR TOL</b> ± °		EC NO: 635455 DRWN: SKAMATHN 2020/04/07 CHK'D: SCHANNARAYAN 2020/04/07 APPR: KNAGANNA 2020/04/07					
	<b>DRAFT WHERE APPLICABLE</b> MUST REMAIN WITHIN DIMENSIONS		<b>INITIAL REVISION:</b> DRWN: ZDANDURAND 2017/10/25 APPR: ADTUCKER 2017/10/27					
<b>DIVISIONAL SYMBOLS</b> 4 PLACES ± 3 PLACES ± 2 PLACES ± 1 PLACE ± 0 PLACES ±		THIRD ANGLE PROJECTION 	DRAWING <b>D-SIZE</b>	SERIES <b>205856</b>	DOCUMENT NUMBER <b>2058561005</b>	DOC TYPE PSD	DOC PART 000	REVISION <b>L1</b>
<b>DOCUMENT STATUS</b> P1		<b>RELEASE DATE</b> 2020/04/07 16:10:04		MATERIAL NUMBER SEE P/N TABLE	CUSTOMER GENERAL MARKET	SHEET NUMBER 4 OF 4		