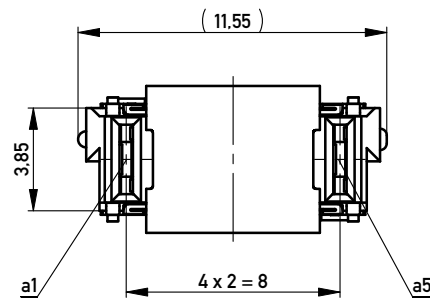
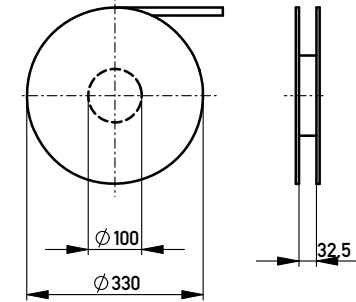
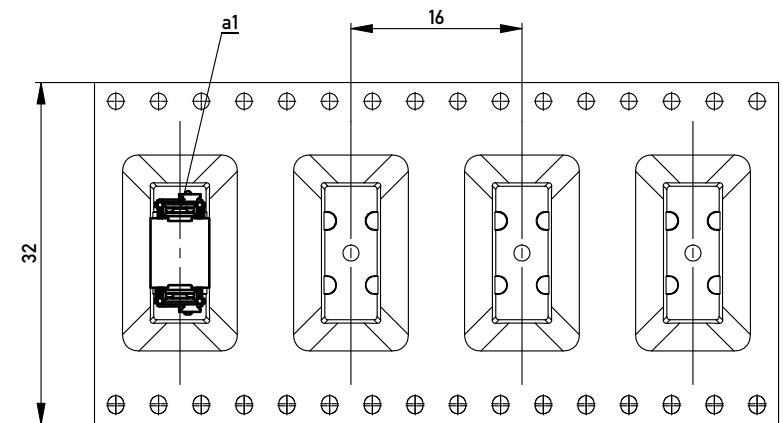


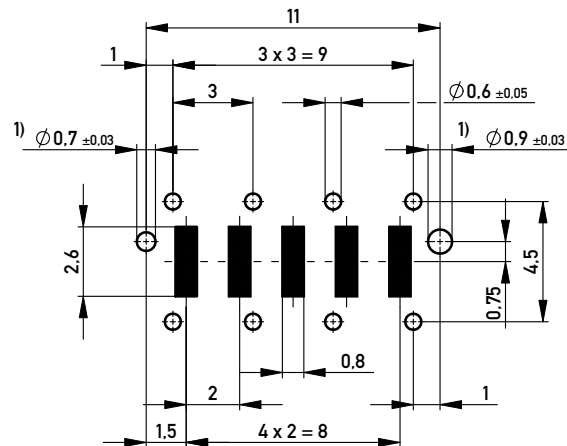
Verpackt in Gurtverpackung - Tape on Reel Packaging  
 Verpackungseinheit: 420 Stück - Packaging unit: 420 pcs



Abspulrichtung - Reel off Direction



Leiterplatten-Layout Vorschlag / PCB-layout proposal



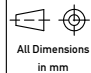

Anforderungsstufe 1  
 Performance Level 1

Kontaktbereich vergoldet  
 Mating Area gold plating

Anschlussbereich verzinkt 4-6µm  
 Terminal Area 4-6µm tin plating

Koplanarität der Anschlüsse ≤ 0.1mm  
 Coplanarity Area of Termination ≤ 0.1mm

1) Durchmesser des Bohrers / Drill tool

|  |   |   |         |
|--|---|---|---------|
| Information:<br><br>All rights reserved.<br>Only for Information.<br>To ensure that this is the latest version of this drawing, please contact one of the ERNI companies before using. | Tolerances<br><br>All Dimensions in mm | Scale   | 5:1     |
|  |   | Designation<br><b>Federleiste THR, Powerm. 4mm</b><br><b>Female Con. THR, Powerm. 4mm</b> |         |
| f<br>Index   | 12.10.2010<br>Date  | <b>214912</b>   |         |
|  www.ERNI.com   |   | Class<br>MSPEED   | I<br>A3 |

Copyright by ERNI GmbH  
 Proprietary notice pursuant to ISO 16106 to be observed.