

NOTES

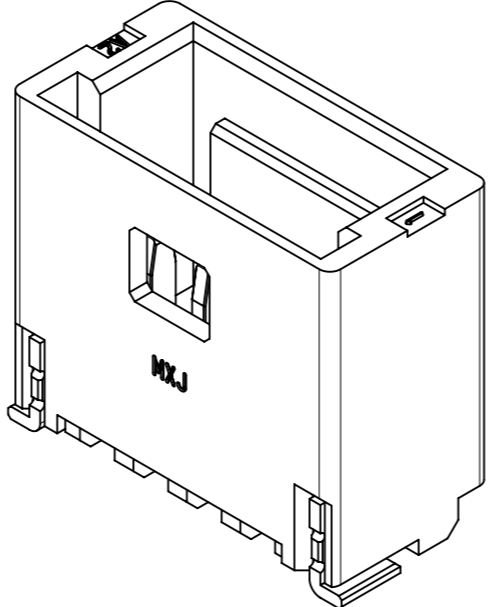
1. 本製品は極数によって、ロック形状が変わりますので御注意願います。
THE LOCK SHAPE OF THIS PRODUCT CHANGES ACCORDING TO THE NUMBER OF CIRCUIT.
2~5 CIRCUITS : フリクションロック FRICTION LOCK
6~15 CIRCUITS : インナーポジティブロック INNER POSITIVE LOCK
2. 材料及び仕上げ(めっき仕様) : TABLE 1,2 参照
MATERIAL AND FINISHES : SEE TABLE 1 AND 2
3. 製品仕様書 : 5013300000-PS 001
PRODUCT SPECIFICATION:
4. 梱包形態 : SEE SHEET 4
PACKAGING INFORMATION:
5. 嵌合相手 : 501330 シリーズ
MATES WITH:501330 SERIES
6. アプリケーション仕様書(コネクタ取扱い説明書) : 5013300000-AS A00(JAPANESE)/-A01(ENGLISH)
APPLICATION SPECIFICATION(CONNECTOR MANUAL):
7. ソルダーピン及びネイルの平坦度:0.1 MAX.
SOLDER PIN AND NAIL COPLANARITY: 0.1 MAX.
8. 偶数極に適用
APPLY FOR EVEN CIRCUIT
9. 本製品は錫めっき品である。金めっき品は以下の図面を御参照下さい。
THIS PRODUCT IS A TIN PLATING. PLEASE REFER TO THE FOLLOWING DRAWING FOR GOLD PLATING VERSION.

GOLD PLATING THICKNESS [micro-meter MIN.]	SERIES No.	DRAWING No.
0.1	504449	5044490000-SD PSD 000
0.38	203556	2035560000-SD PSD 000
0.76	203557	2035570000-SD PSD 000

TABLE 1

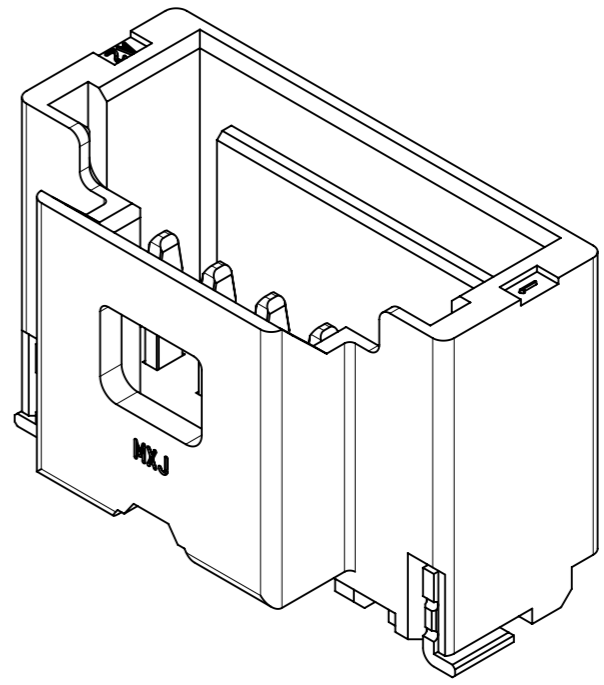
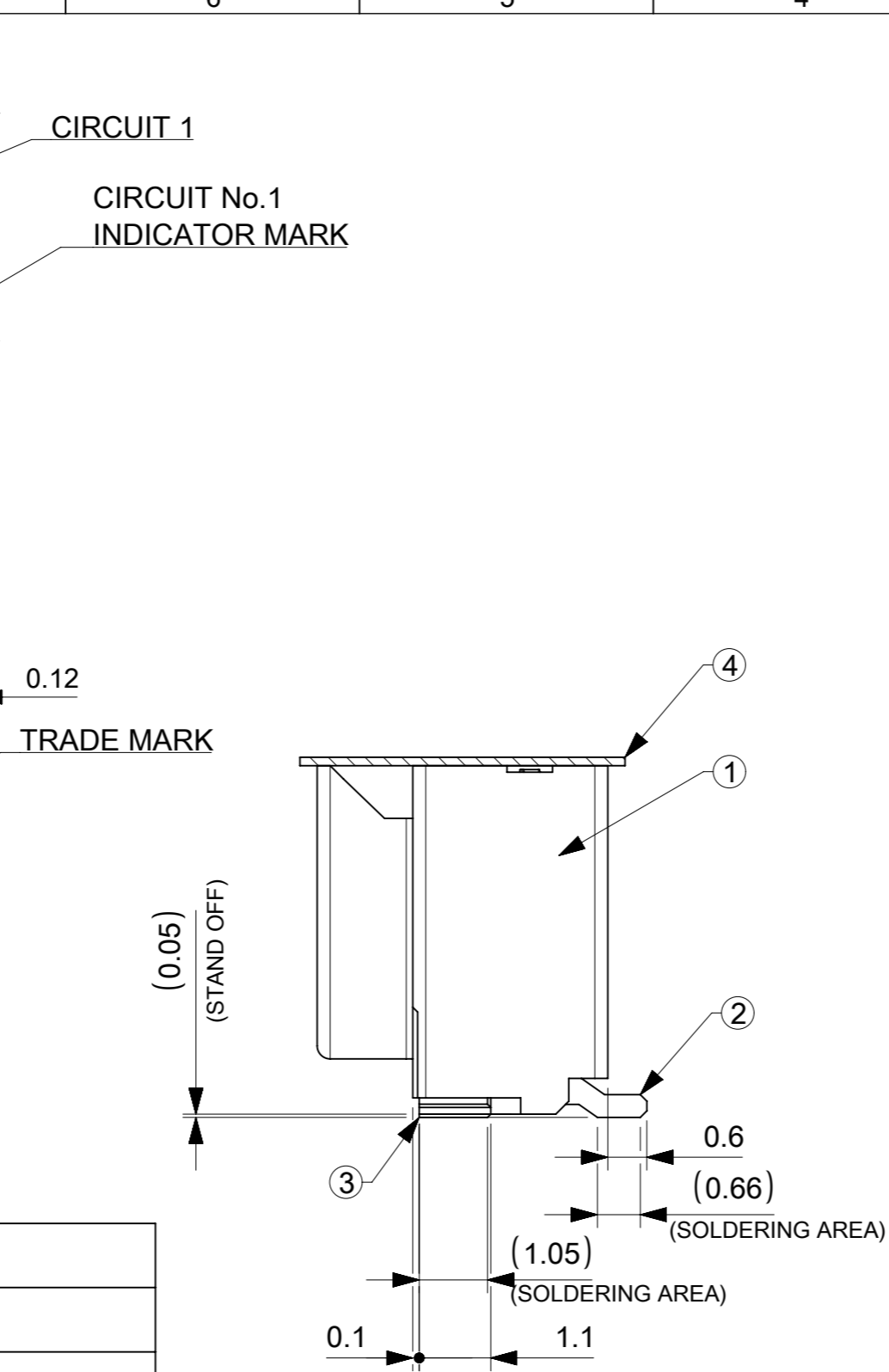
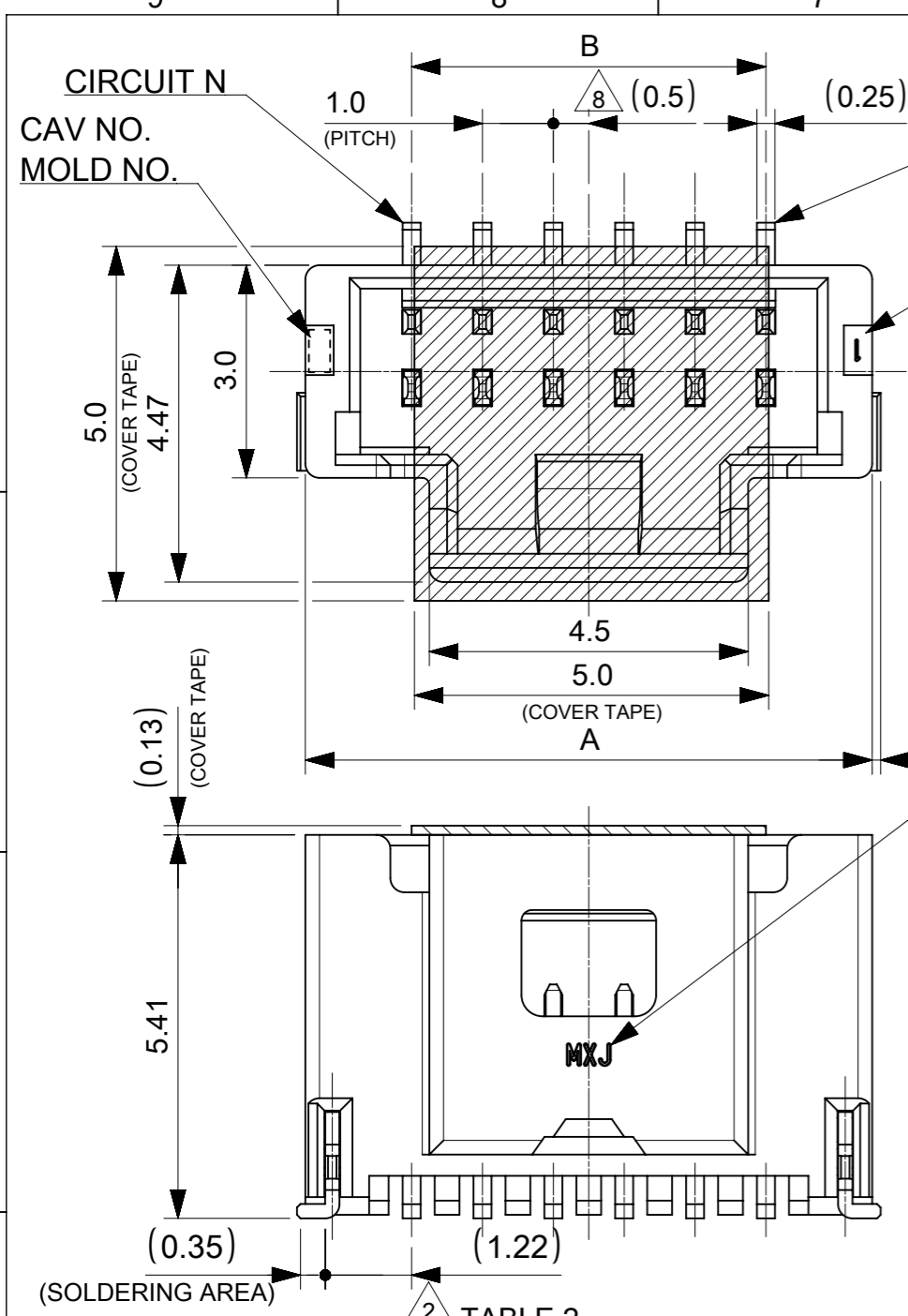
番号 NO.	部品 PART	材質 MATERIAL	
①	ウエハー WAFER	ポリアミド(PA), UL94V-0, 色 : SEE SHEET 6 POLYAMIDE(PA), UL94V-0, COLOR : SEE SHEET 6	
②	ソルダーピン SOLDER PIN	リン青銅 PHOSPHOR BRONZE	
		接点部 CONTACT AREA テール部 TAIL AREA	錫めっき : 1.0 MICRO-METER MIN. MATTE TIN PLATING
		下地めっき UNDER PLATING	ニッケルめっき : 1.0 MICRO-METER MIN. NICKEL
③	ネイル NAIL	リン青銅 PHOSPHOR BRONZE	
		テール部 TAIL AREA	錫めっき : 1.0 MICRO-METER MIN. MATTE TIN PLATING
		下地めっき UNDER PLATING	ニッケルめっき : 1.0 MICRO-METER MIN. NICKEL
④	カバーテープ COVER TAPE	ポリイミドテープ POLYIMIDE TAPE	

4.0	7.0	5
3.0	6.0	4
2.0	5.0	3
1.0	4.0	2
B	A	極数 CIRCUIT SIZE



THIS DRAWING CONTAINS INFORMATION THAT IS PROPRIETARY TO MOLEX ELECTRONIC TECHNOLOGIES, LLC AND SHOULD NOT BE USED WITHOUT WRITTEN PERMISSION

DIMENSION UNITS	SCALE	CURRENT REV DESC:		molex		
mm	NTS					
GENERAL TOLERANCES (UNLESS SPECIFIED)				PICO-CLASP 1.0 W/B SINGLE ROW VT SMT INNER LOCK TIN PLATING		
ANGULAR TOL	± 3.0 °	EC NO: 614886		PRODUCT CUSTOMER DRAWING		
4 PLACES	± 0.2	DRWN: AISHIKAWA 2019/02/18		DOCUMENT NUMBER		
3 PLACES	± 0.2	CHK'D: AIDA 2019/04/03		DOC TYPE DOC PART REVISION		
2 PLACES	± 0.2	APPR: KOMURAKAMI 2019/04/05		5013310000-SD PSD 000 A		
1 PLACE	± 0.2	INITIAL REVISION:		MATERIAL NUMBER CUSTOMER SHEET NUMBER		
0 PLACES	± 0.2	DRWN: AISHIKAWA 2019/02/18		SEE SHEET 6		
DRAFT WHERE APPLICABLE MUST REMAIN WITHIN DIMENSIONS		THIRD ANGLE PROJECTION	DRAWING	SERIES	SHEET NUMBER	
			A3-SIZE	501331	1 OF 6	



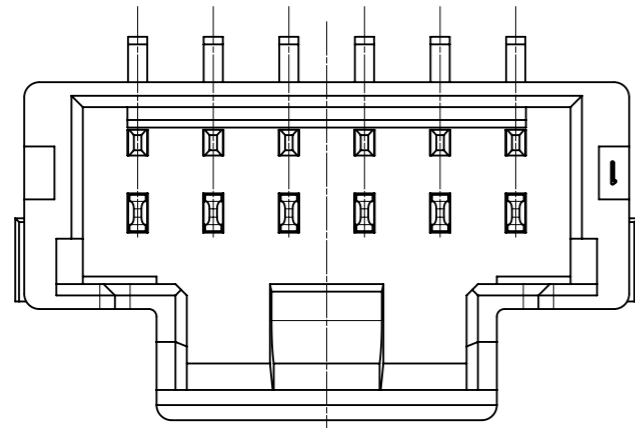
14.0	17.0	15
13.0	16.0	14
12.0	15.0	13
11.0	14.0	12
10.0	13.0	11
9.0	12.0	10
8.0	11.0	9
7.0	10.0	8
6.0	9.0	7
5.0	8.0	6
B	A	極数 CIRCUIT SIZE

番号 NO.	部品 PART	材質 MATERIAL	
①	ウエハー WAFER	ポリアミド(PA), UL94V-0, 色 : SEE SHEET 6 POLYAMIDE(PA), UL94V-0, COLOR : SEE SHEET 6	
②	ソルダーピン SOLDER PIN	リン青銅 PHOSPHOR BRONZE	
		接点部 CONTACT AREA	錫めっき : 1.0 MICRO-METER MIN. MATTE TIN PLATING
		テール部 TAIL AREA	錫めっき : 1.0 MICRO-METER MIN. MATTE TIN PLATING
	下地めっき UNDER PLATING	ニッケルめっき : 1.0 MICRO-METER MIN. NICKEL	
③	ネイル NAIL	リン青銅 PHOSPHOR BRONZE	
		テール部 TAIL AREA	錫めっき : 1.0 MICRO-METER MIN. MATTE TIN PLATING
		下地めっき UNDER PLATING	ニッケルめっき : 1.0 MICRO-METER MIN. NICKEL
④	カバーテープ COVER TAPE	ポリイミドテープ POLYIMIDE TAPE	

DOCUMENT STATUS | P1 | RELEASE DATE | 2019/04/05 | 01:07:45

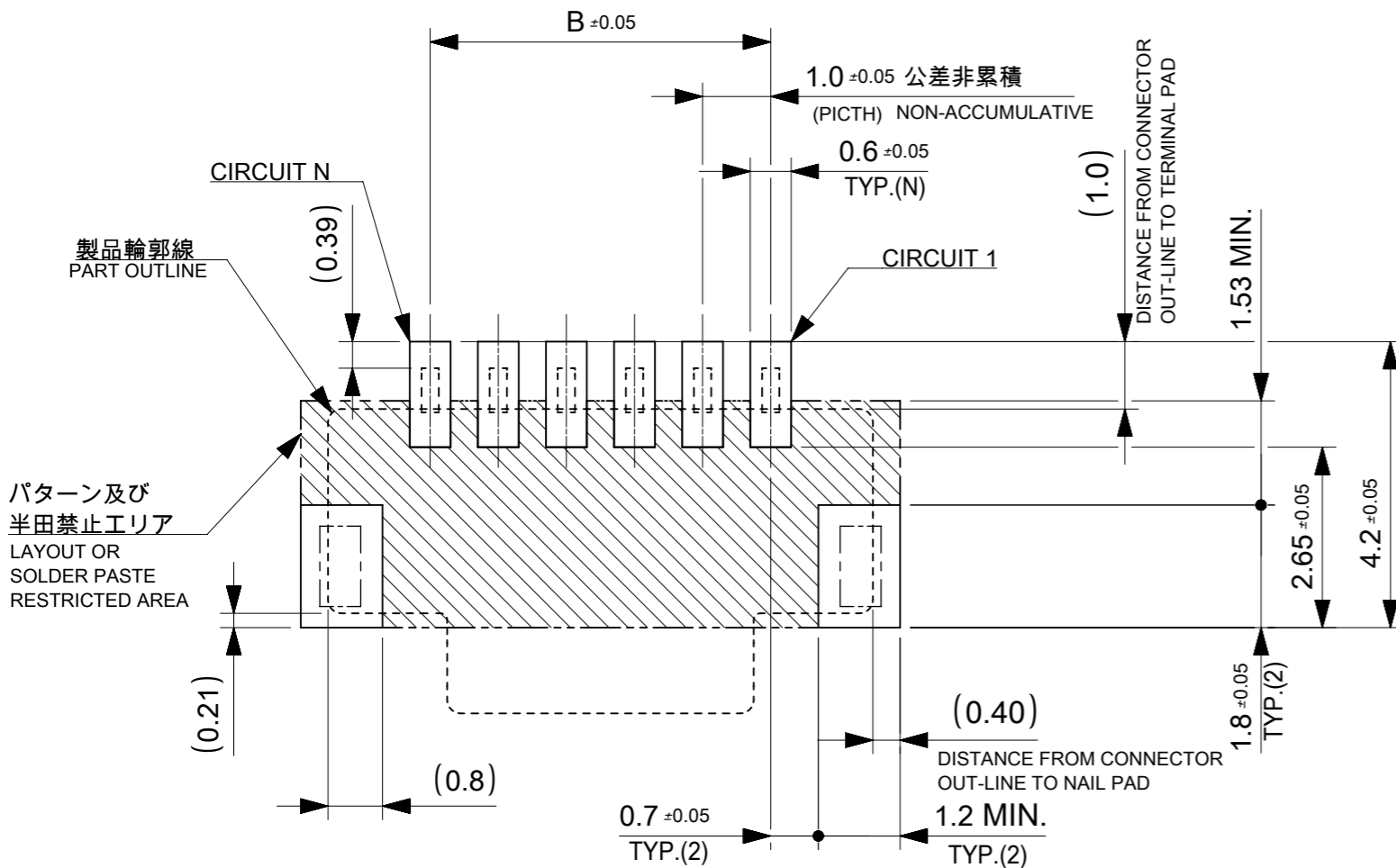
THIS DRAWING CONTAINS INFORMATION THAT IS PROPRIETARY TO MOLEX ELECTRONIC TECHNOLOGIES, LLC AND SHOULD NOT BE USED WITHOUT WRITTEN PERMISSION

DIMENSION UNITS mm	SCALE NTS	CURRENT REV DESC:		molex		
GENERAL TOLERANCES (UNLESS SPECIFIED)		EC NO: 614886				
ANGULAR TOL ± 3.0°	4 PLACES ± 0.2	DRWN: AISHIKAWA	2019/02/18	SINGLE ROW VT SMT INNER LOCK TIN PLATING		
3 PLACES ± 0.2	2 PLACES ± 0.2	CHK'D: AIDA	2019/04/03	PRODUCT CUSTOMER DRAWING		
1 PLACE ± 0.2	0 PLACES ± 0.2	APPR: KOMURAKAMI	2019/04/05	INITIAL REVISION:		
DRAFT WHERE APPLICABLE MUST REMAIN WITHIN DIMENSIONS		THIRD ANGLE PROJECTION		DRWN: AISHIKAWA	2019/02/18	DOCUMENT NUMBER
				APPR: KOMURAKAMI	2019/04/05	5013310000-SD
				DRAWING		DOC TYPE
				A3-SIZE		PSD
				SERIES		DOC PART
				501331		000
				MATERIAL NUMBER		REVISION
				SEE SHEET 6		A
				CUSTOMER		SHEET NUMBER
						2 OF 6



製品レイアウト(参考: 6~15 CIRCUITS)
PRODUCT LAYOUT(REFERENCE: 6~15 CIRCUITS)

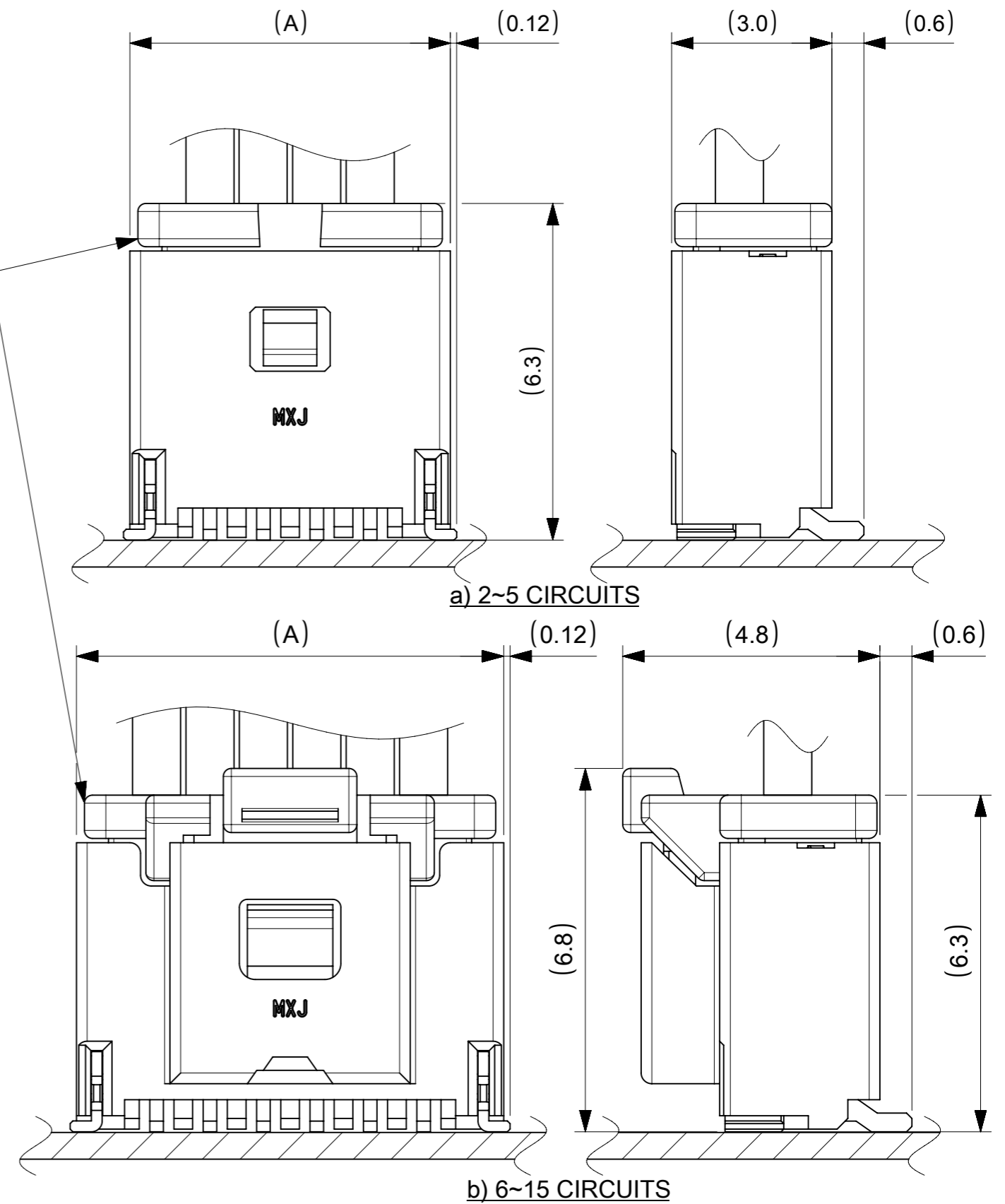
△ 嵌合相手: 501330 シリーズ
MATE WITH: 501330 SERIES



推奨基板レイアウト(全極数適応): 実装面側
(参考: 基板厚 1.0mm, メタルマスク厚さ 0.12mm, マスク開口率100%)

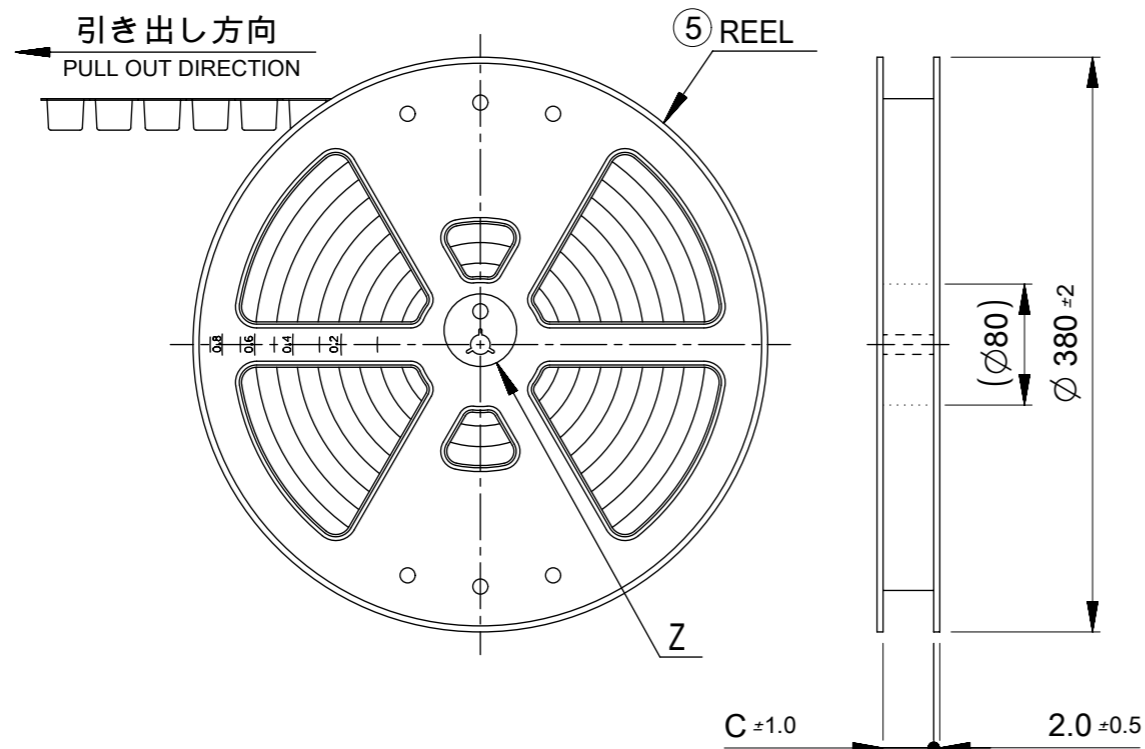
POLARIZED RECOMMENDED PCB LAYOUT(APPLY TO ALL CIRCUIT): COMPONENT SIDE
(REFERENCE: PCB THICKNESS 1.0mm, STENCIL THICKNESS 0.12mm, APERTURE RATIO 100%)

:パターン禁止エリア
RESTRICTED AREA
NO PCB COMPONENTS ALLOWED



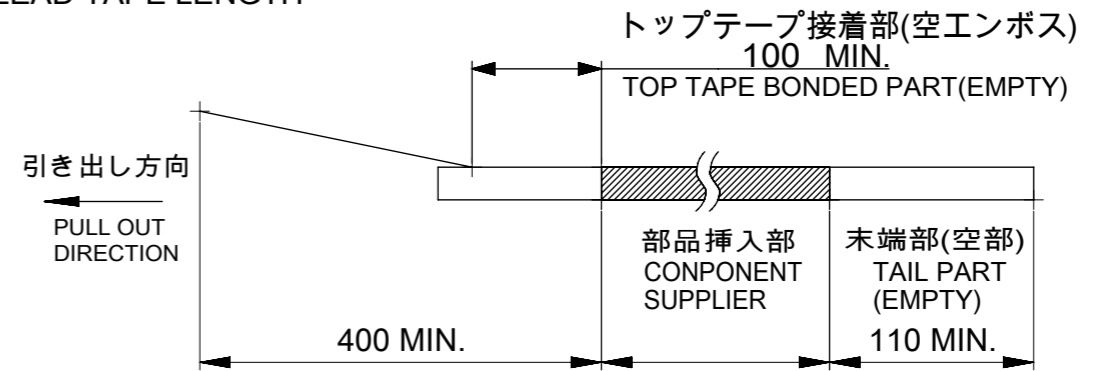
嵌合図
MATED CONNECTORS

THIS DRAWING CONTAINS INFORMATION THAT IS PROPRIETARY TO MOLEX ELECTRONIC TECHNOLOGIES, LLC AND SHOULD NOT BE USED WITHOUT WRITTEN PERMISSION		CURRENT REV DESC:		molex	
DIMENSION UNITS	SCALE				
mm	NTS			PICO-CLASP 1.0 W/B SINGLE ROW VT SMT INNER LOCK TIN PLATING	
GENERAL TOLERANCES (UNLESS SPECIFIED)				PRODUCT CUSTOMER DRAWING	
ANGULAR TOL	± 3.0°	EC NO:	614886	DOCUMENT NUMBER	
4 PLACES	± 0.2	DRWN:	AISHIKAWA 2019/02/18	5013310000-SD	DOC TYPE
3 PLACES	± 0.2	CHK'D:	AIDA 2019/04/03	PSD	DOC PART
2 PLACES	± 0.2	APPR:	KOMURAKAMI 2019/04/05	000	REVISION
1 PLACE	± 0.2	INITIAL REVISION:		A	
0 PLACES	± 0.2	DRWN:	AISHIKAWA 2019/02/18	MATERIAL NUMBER	
DRAFT WHERE APPLICABLE MUST REMAIN WITHIN DIMENSIONS		APPR:	KOMURAKAMI 2019/04/05	CUSTOMER	
THIRD ANGLE PROJECTION		DRAWING	SERIES	SEE SHEET 6	SHEET NUMBER
		A3-SIZE	501331		3 OF 6

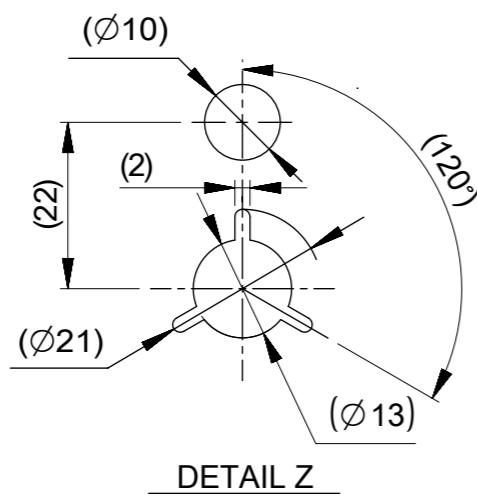


NOTES

- 10. 梱包数量:1100個/リール
NUMBER OF CONNECTORS : 1100 PIECES/REEL
- 11. リードテープ長さ
LEAD TAPE LENGTH



- 12. トップテープの剥離強度はIEC60286-3に準拠。
TOP TAPE PEELING FORCE IS DEFINED BY IEC60286-3.
- △13 2~5極品は乾燥剤入り、ハイバリア梱包による納品となります。
2~5 CIRCUITS IS DELIVERED IN A HIGH BARRIER PACKAGE WITH DESOCCANT.
- 14. 梱包仕様書 : SPK-501331-001
PACKAGE SPECIFICATION:
- △15 発注番号 : SHEET 6 参照
ORDER No. : PLEASE REFER TO SHEET 6 FOR PRODUCT LIST.



501331 ** ** *

極数 CIRCUIT SIZE	ハウジングカラー HOUSING COLOR	製品識別番号 IDENTIFICATION NUMBER
	0:NATURAL(BEIGE)	7:EMBOSSED PACKAGE

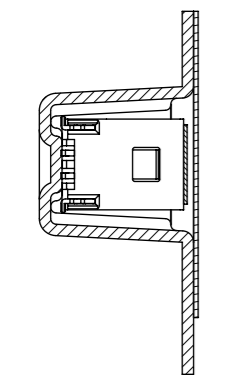
33.4	15
	14
	13
25.4	12
	11
	10
	9
	8
17.5	7
	6
	5
	4
C	3
	2
	極数 CIRCUIT SIZE

番号 NO.	部品 PART	材質 MATERIAL
⑤	リール REEL	ポリスチレン(PS) <リサイクル材を含む> POLYSTYRENE(PS) <RECYCLE MATERIAL CONTAINED>

DOCUMENT STATUS	P1	RELEASE DATE	2019/04/05	01:07:45
-----------------	----	--------------	------------	----------

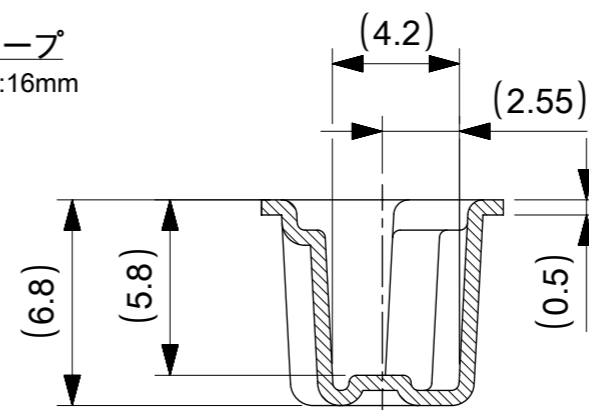
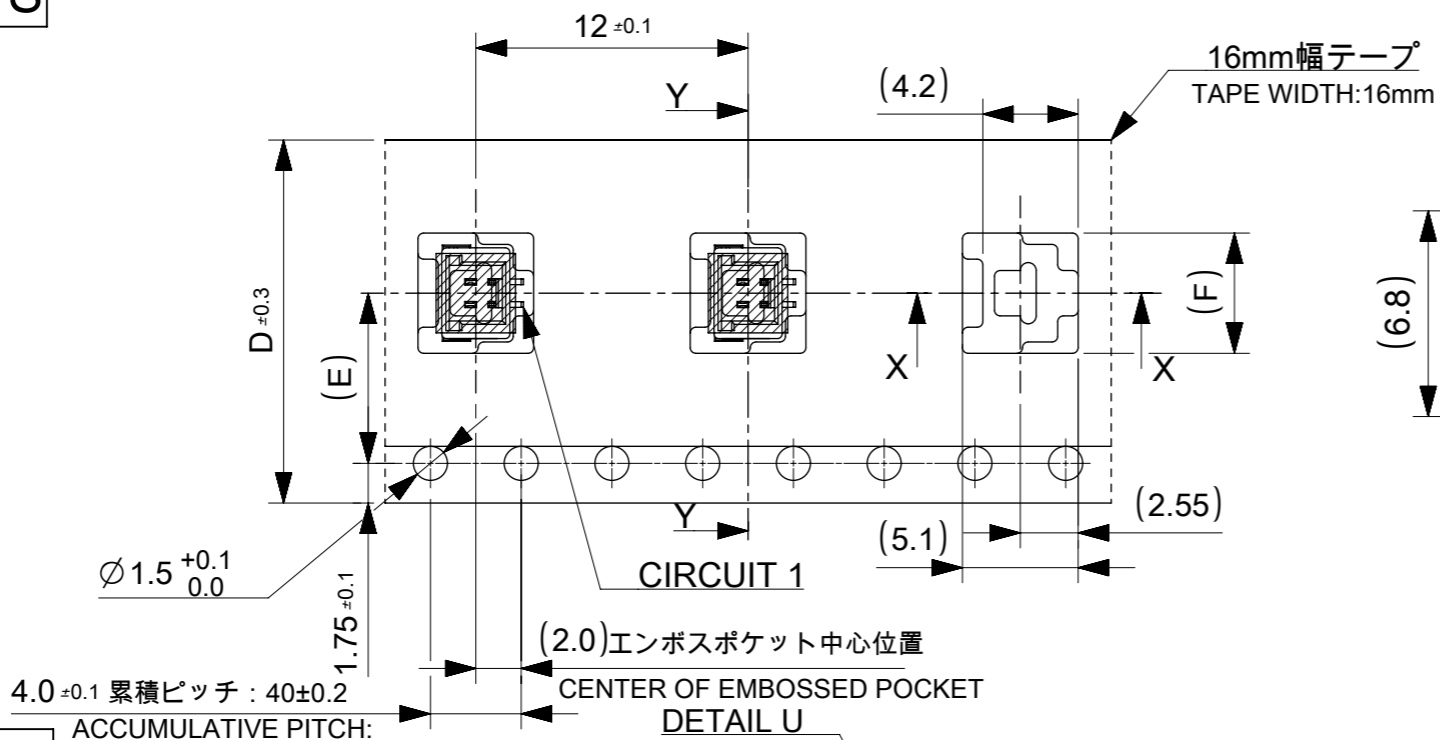
THIS DRAWING CONTAINS INFORMATION THAT IS PROPRIETARY TO MOLEX ELECTRONIC TECHNOLOGIES, LLC AND SHOULD NOT BE USED WITHOUT WRITTEN PERMISSION		CURRENT REV DESC:		molex	
DIMENSION UNITS	SCALE	EC NO: 614886			
mm	NTS	DRWN: AISHIKAWA 2019/02/18		PICO-CLASP 1.0 W/B	
GENERAL TOLERANCES (UNLESS SPECIFIED)		CHK'D: AIDA 2019/04/03		SINGLE ROW VT SMT INNER LOCK TIN PLATING	
ANGULAR TOL	± 3.0 °	APPR: KOMURAKAMI 2019/04/05		PRODUCT CUSTOMER DRAWING	
4 PLACES	± 0.2	INITIAL REVISION:		DOCUMENT NUMBER	
3 PLACES	± 0.2	DRWN: AISHIKAWA 2019/02/18		5013310000-SD	
2 PLACES	± 0.2	APPR: KOMURAKAMI 2019/04/05		DOC TYPE	
1 PLACE	± 0.2	DRAFT WHERE APPLICABLE MUST REMAIN WITHIN DIMENSIONS		PSD	
0 PLACES	± 0.2	THIRD ANGLE PROJECTION		DOC PART	
		DRAWING		000	
		SERIES		REVISION	
		A3-SIZE		A	
		501331		SHEET NUMBER	
		SEE SHEET 6		4 OF 6	

2~5 CIRCUITS

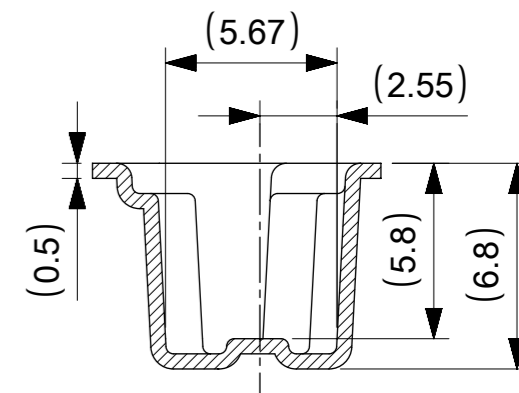


SECTION Y-Y

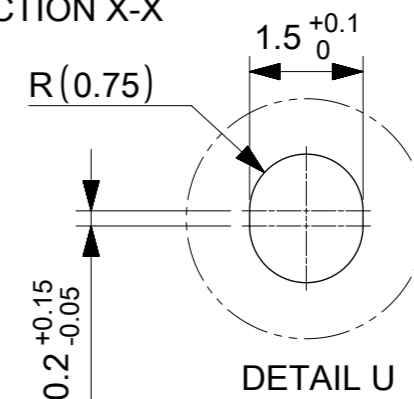
引き出し方向
PULL OUT DIRECTION



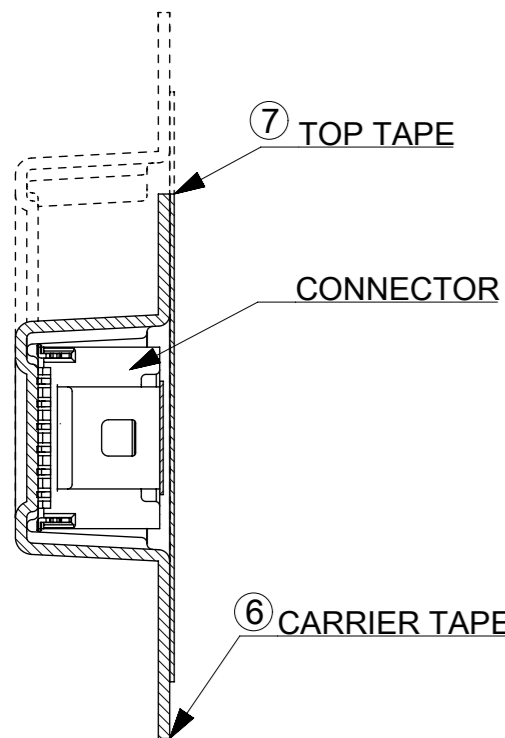
SECTION X-X



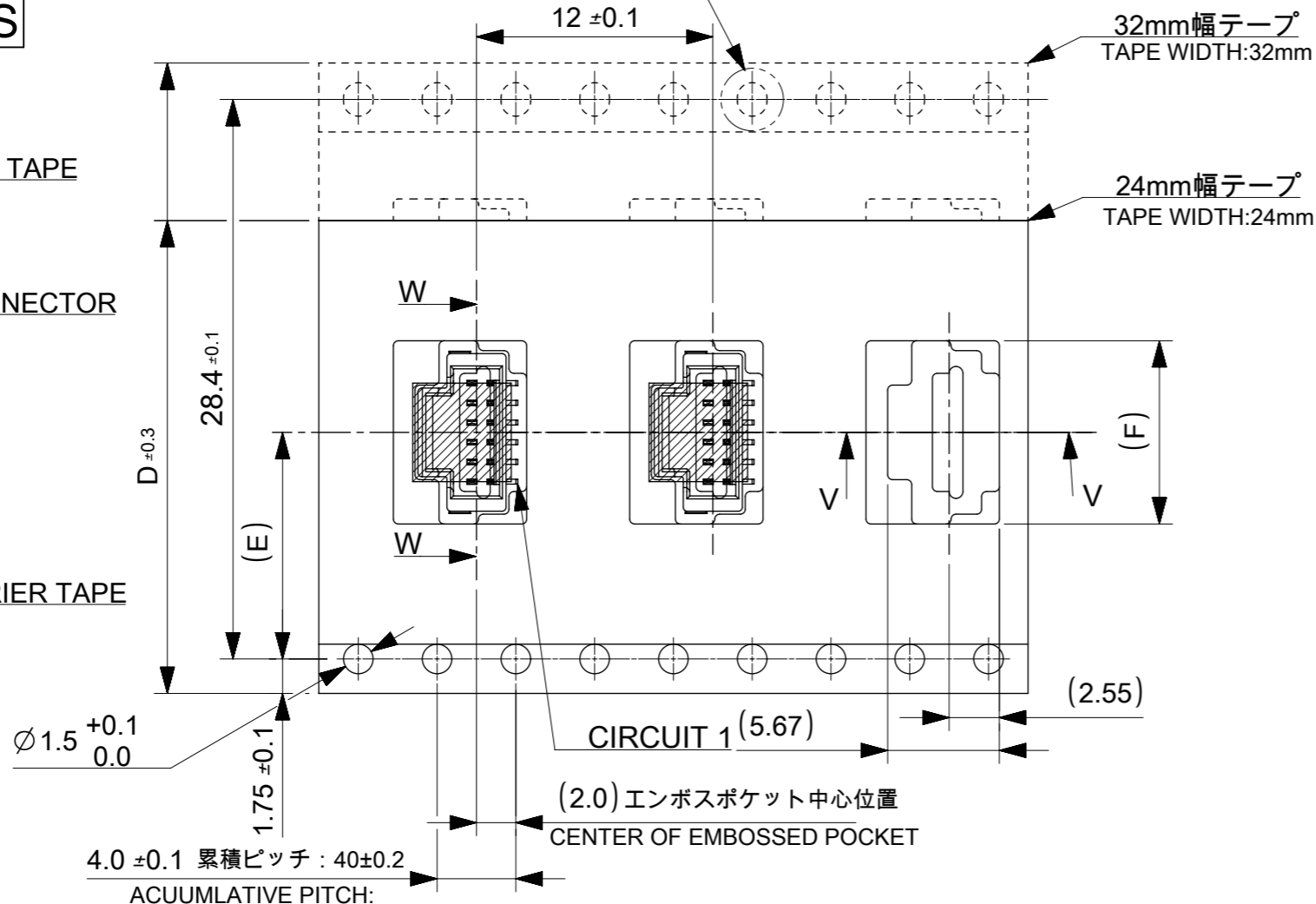
SECTION V-V



6~15 CIRCUITS



SECTION W-W



18.3			15
17.3	14.2	32	14
16.3			13
15.3			12
14.3			11
13.3			10
12.3	11.5	24	9
11.3			8
10.3			7
9.3			6
8.3			5
7.3	7.5	16	4
6.3			3
5.3			2
F	コネクタ中心位置 E SENER OF CONNECTOR	エンボステープ幅 D WIDTH OF TAPE	極数 CIRCUIT SIZE

番号 NO.	部品 PART	材質 MATERIAL
⑥	キャリアテープ CARRIER TAPE	ポリプロピレン(PP)、その他 POLYPROPYLEN(PP), etc
⑦	トップテープ TOP TAPE	ポリエチレン(PE)、その他 POLYETHYLENE(PE), etc

DOCUMENT STATUS	P1	RELEASE DATE	2019/04/05	01:07:45
-----------------	----	--------------	------------	----------

THIS DRAWING CONTAINS INFORMATION THAT IS PROPRIETARY TO MOLEX ELECTRONIC TECHNOLOGIES, LLC AND SHOULD NOT BE USED WITHOUT WRITTEN PERMISSION

SCALE: mm NTS

GENERAL TOLERANCES (UNLESS SPECIFIED):

ANGULAR TOL ± 3.0°

4 PLACES ± 0.2

3 PLACES ± 0.2

2 PLACES ± 0.2

1 PLACE ± 0.2

0 PLACES ± 0.2

DRAFT WHERE APPLICABLE MUST REMAIN WITHIN DIMENSIONS

THIRD ANGLE PROJECTION

DRAWING: A3-SIZE

SERIES: 501331

MATERIAL NUMBER: SEE SHEET 6

CUSTOMER: 5013310000-SD

DOC TYPE: PSD

DOC PART: 000

REVISION: A

SHEET NUMBER: 5 OF 6

CURRENT REV DESC:

EC NO: 614886

DRWN: AISHIKAWA 2019/02/18

CHK'D: AIDA 2019/04/03

APPR: KOMURAKAMI 2019/04/05

INITIAL REVISION:

DRWN: AISHIKAWA 2019/02/18

APPR: KOMURAKAMI 2019/04/05

PRODUCT CUSTOMER DRAWING

molex

PICO-CLASP 1.0 W/B
SINGLE ROW VT SMT INNER LOCK TIN PLATING

9 8 7 6 5 4 3 2 1

E

E

D

D

C

C

B

B

A

A

△13 △15 製品一覧 PRODUCT LIST

HOUSING COLOR		
NATURAL(BEIGE)		
501331	1507	15
△	1407	14
	1307	13
	1207	12
	1107	11
	1007	10
	0907	9
	0807	8
	0707	7
	0607	6
	0507	5
	0407	4
▽	0307	3
501331	0207	2
発注番号 ORDER No.		極数
梱包形態 : エンボスリール		CIRCUIT SIZE
PACKAGE:EMBOSSED REEL		

THIS DRAWING CONTAINS INFORMATION THAT IS PROPRIETARY TO MOLEX ELECTRONIC TECHNOLOGIES, LLC AND SHOULD NOT BE USED WITHOUT WRITTEN PERMISSION									
DIMENSION UNITS		SCALE		CURRENT REV DESC:				molex	
mm		NTS							
GENERAL TOLERANCES (UNLESS SPECIFIED)				EC NO: 614886				PICO-CLASP 1.0 W/B	
ANGULAR TOL ± 3.0 °				DRWN: AISHIKAWA 2019/02/18				SINGLE ROW VT SMT INNER LOCK TIN PLATING	
4 PLACES ± 0.2				CHK'D: AIDA 2019/04/03					
3 PLACES ± 0.2				APPR: KOMURAKAMI 2019/04/05				PRODUCT CUSTOMER DRAWING	
2 PLACES ± 0.2				INITIAL REVISION:				DOCUMENT NUMBER	
1 PLACE ± 0.2				DRWN: AISHIKAWA 2019/02/18				5013310000-SD	
0 PLACES ± 0.2				APPR: KOMURAKAMI 2019/04/05				DOC TYPE	
DRAFT WHERE APPLICABLE MUST REMAIN WITHIN DIMENSIONS				THIRD ANGLE PROJECTION		DRAWING		SHEET NUMBER	
				A3-SIZE		SERIES		CUSTOMER	
				A3-SIZE		501331		SEE SHEET 6	

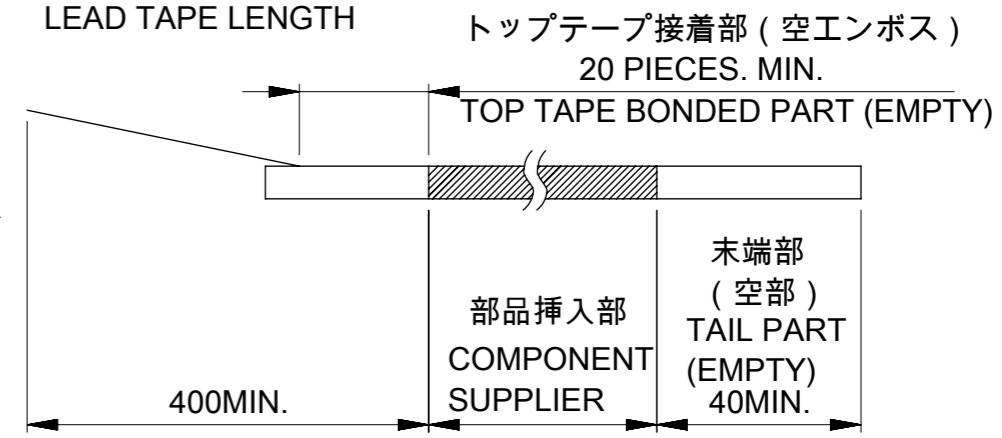
DOCUMENT STATUS	P1	RELEASE DATE	2019/04/05	01:07:45
-----------------	----	--------------	------------	----------

9 8 7 6 5 4 3 2 1

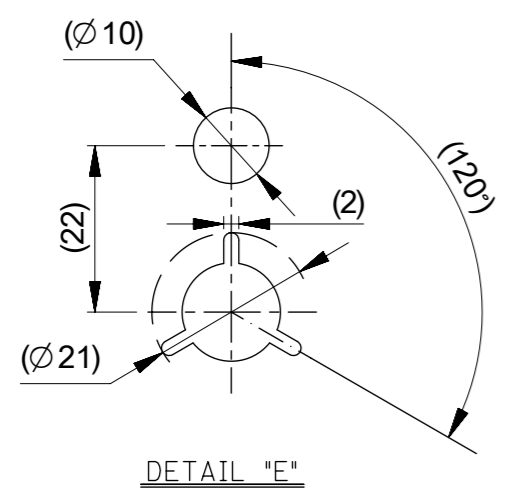
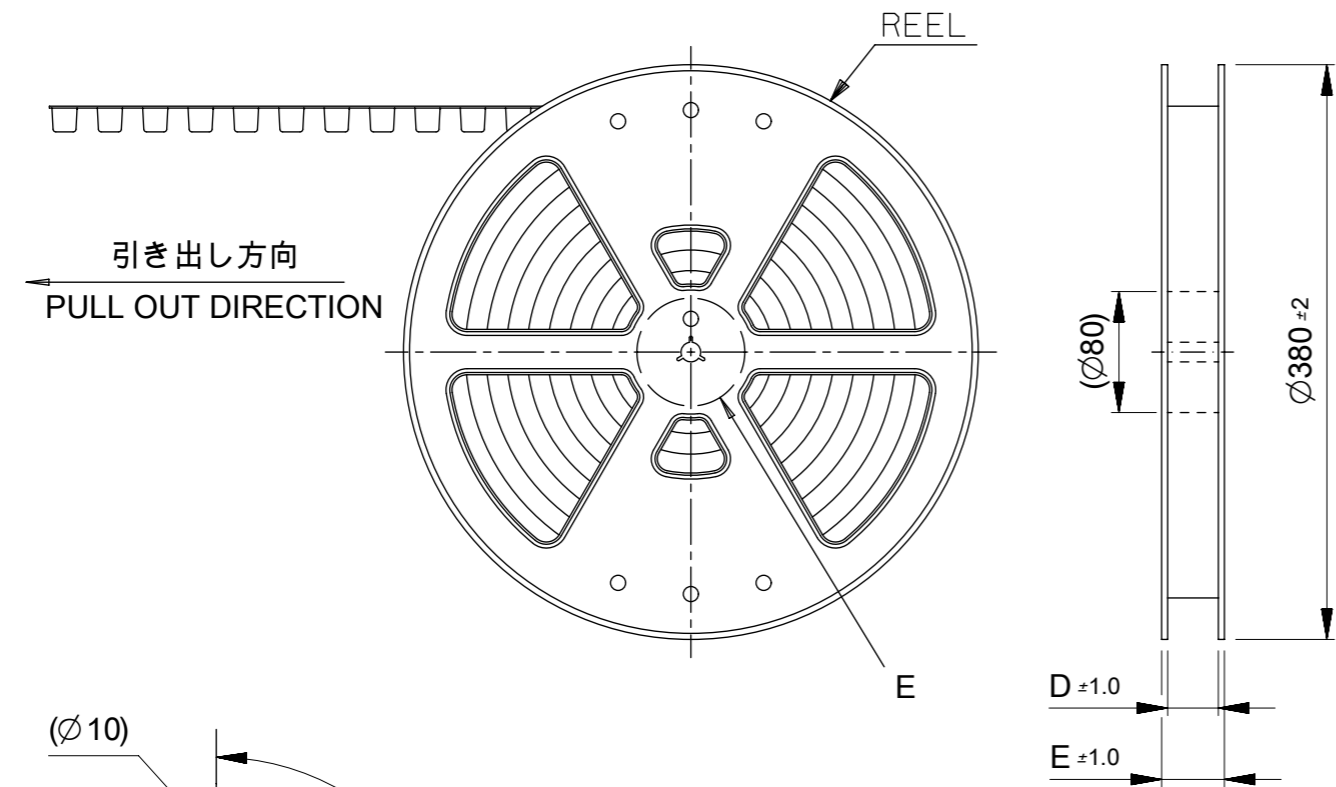
FORMAT: master-ib-prod-A3
REVISION: 11
DATE: 2018/01/18

NOTES.

- 1. 製品詳細寸法については製品単体図面を参照ください。
ABOUT DETAILED DIMENSION, SEE PRODUCT DRAWING.
- 2. 梱包数量：1100個/リール
NUMBER OF CONNECTORS：1100PIECES/REEL
- 3. リードテープ長さ
LEAD TAPE LENGTH



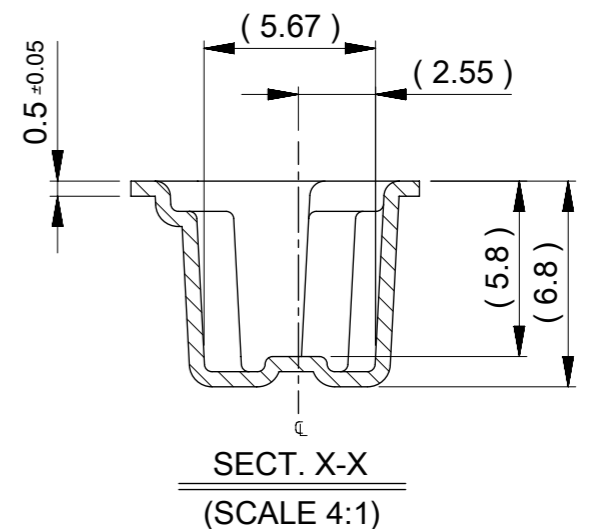
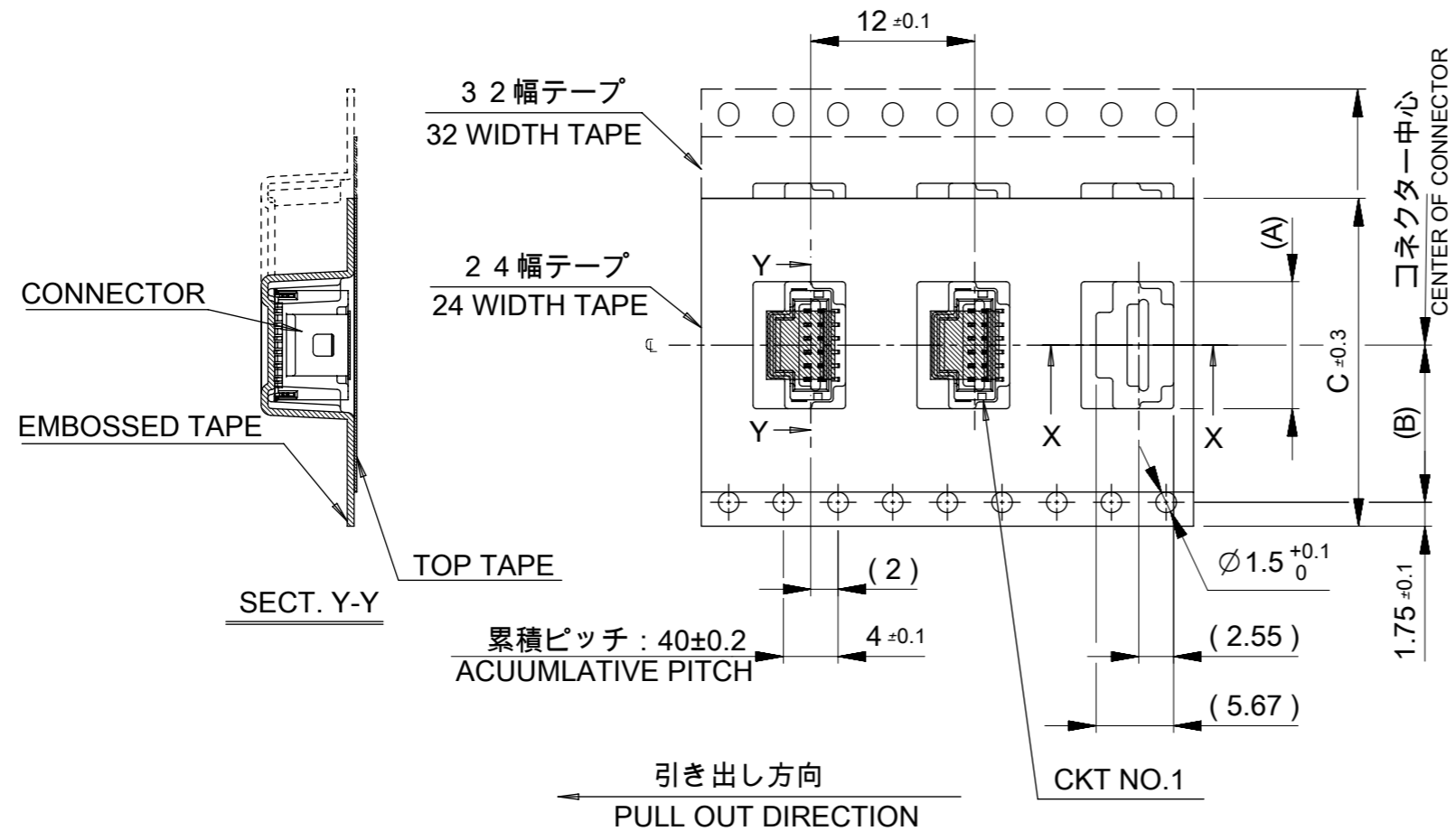
- 4. 材料
MATERIAL
キャリアテープ：ポリプロピレン
CARRIER TAPE：POLYPROPYLENE
トップテープ：PET, PE, REF
TOP TAPE
リール：ポリスチレン (リサイクル材を含む)
REEL：POLYSTYLENE (RECYCLE MATERIAL CONTAINED)



緑 GREEN	青 BLUE	赤 RED	黒 BLACK	自然色 NATURAL	色 COLOR
5013311562	5013311542	5013311522	5013311512	5013311507	15
5013311462	5013311442	5013311422	5013311412	5013311407	14
5013311362	5013311342	5013311322	5013311312	5013311307	13
5013311262	5013311242	5013311222	5013311212	5013311207	12
5013311162	5013311142	5013311122	5013311112	5013311107	11
5013311062	5013311042	5013311022	5013311012	5013311007	10
5013310962	5013310942	5013310922	5013310912	5013310907	9
5013310862	5013310842	5013310822	5013310812	5013310807	8
5013310762	5013310742	5013310722	5013310712	5013310707	7
5013310662	5013310642	5013310622	5013310612	5013310607	6
EMBOSSED PACKAGE	EMBOSSED PACKAGE	EMBOSSED PACKAGE	EMBOSSED PACKAGE	EMBOSSED PACKAGE	極数 CIRCUTIS
△10 オーダー番号 ORDER NO.	△10 オーダー番号 ORDER NO.	△10 オーダー番号 ORDER NO.	△10 オーダー番号 ORDER NO.	△10 オーダー番号 ORDER NO.	

THIS DRAWING CONTAINS INFORMATION THAT IS PROPRIETARY TO MOLEX ELECTRONIC TECHNOLOGIES, LLC AND SHOULD NOT BE USED WITHOUT WRITTEN PERMISSION

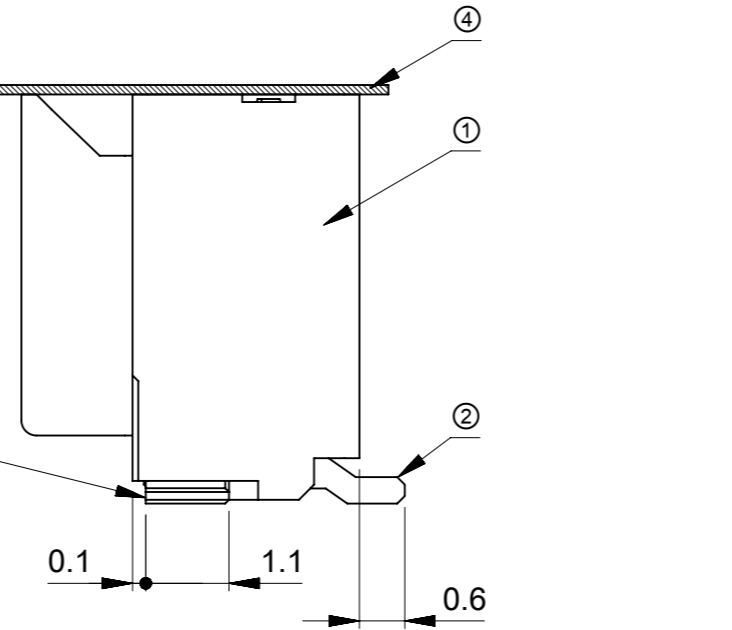
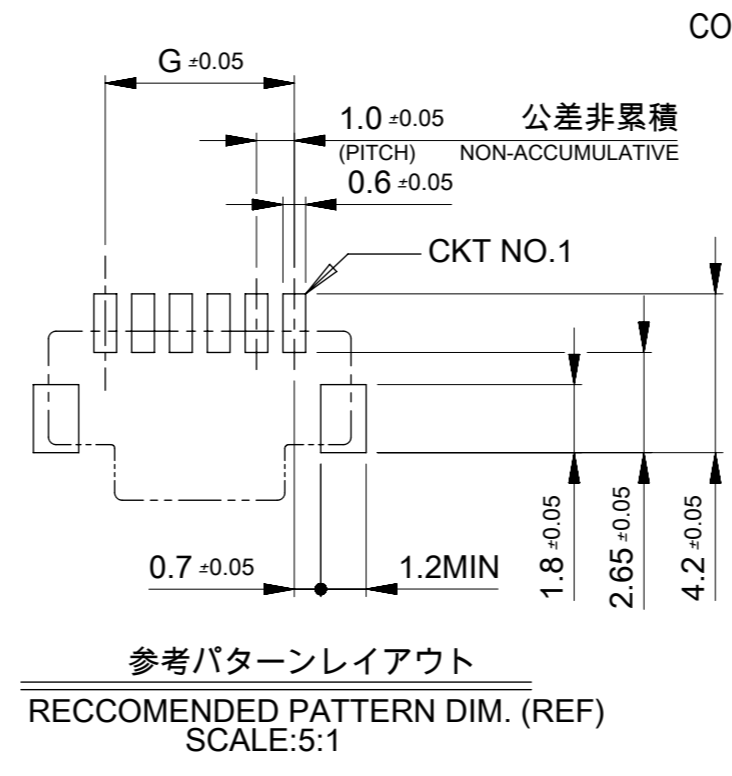
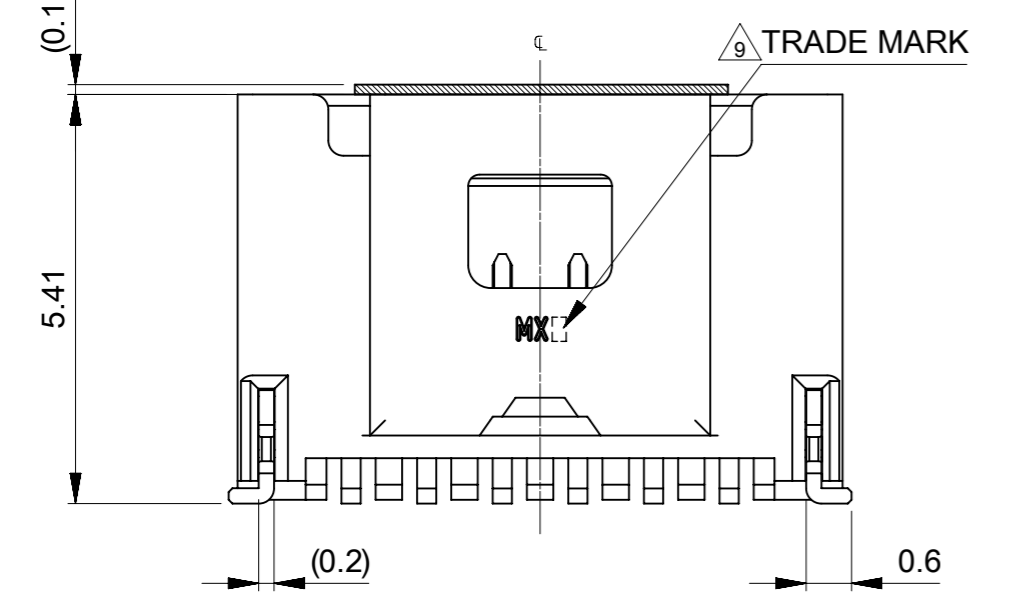
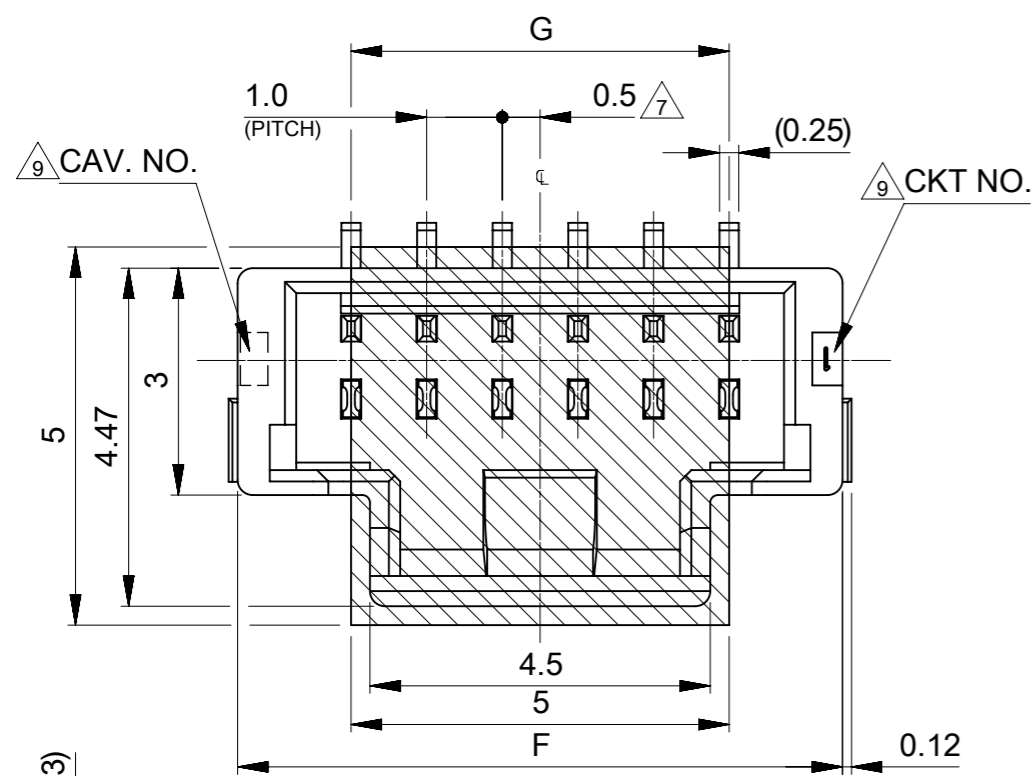
EC NO: 120301 DRWN: QHE31 CHK'D: SAKIYAMA APPR: TKANEKO 2017/08/03 2017/08/04 2017/08/04	GENERAL TOLERANCES (UNLESS SPECIFIED)		DIMENSION UNITS	SCALE	
	ANGULAR TOL ± 3.0 °		MM	≠≠	
	4 PLACES ± 0.2	3 PLACES ± 0.2	DRWN BY	DATE	
	2 PLACES ± 0.2	1 PLACE ± 0.2	QHE31	2017/08/03	
0 PLACES ± 0.2		CHK'D BY	DATE	PICO-CLASP 1.0 W/B SINGLE-ROW ST EMBSTP PKG WAFER ASS'Y	
DRAFT WHERE APPLICABLE MUST REMAIN WITHIN DIMENSIONS		SAKIYAMA	2017/08/04	PRODUCT CUSTOMER DRAWING	
		APPR BY	DATE	SERIES	MATERIAL NUMBER
		TKANEKO	2017/08/04	501331	SEE TABLE OF SHEET 1
		DRAWING SIZE	THIRD ANGLE PROJECTION	CUSTOMER	
		A3		DOCUMENT NUMBER	DOC TYPE
				5013310612-SD	PSD
				DOC PART	SHEET NUMBER
				000	1 OF 3



37.4	33.4	32	14.2	18.3	15
				17.3	14
				16.3	13
29.4	25.4	24	11.5	15.3	12
				14.3	11
				13.3	10
				12.3	9
				11.3	8
				10.3	7
E	D	C	(B)	9.3	6
				(A)	極数 CIRCUITS

THIS DRAWING CONTAINS INFORMATION THAT IS PROPRIETARY TO MOLEX ELECTRONIC TECHNOLOGIES, LLC AND SHOULD NOT BE USED WITHOUT WRITTEN PERMISSION

EC NO: 120301 DRWN: QHE31 CHK'D: SAKIYAMA APPR: TKANEKO	2017/08/03 2017/08/04 2017/08/04	GENERAL TOLERANCES (UNLESS SPECIFIED) ANGULAR TOL ± 3.0 ° 4 PLACES ± 0.2 3 PLACES ± 0.2 2 PLACES ± 0.2 1 PLACE ± 0.2 0 PLACES ± 0.2	DIMENSION UNITS: MM SCALE: ≯			
	DRWN BY: QHE31 CHK'D BY: SAKIYAMA APPR BY: TKANEKO	DATE: 2017/08/03 DATE: 2017/08/04 DATE: 2017/08/04	PICO-CLASP 1.0 W/B SINGLE-ROW ST EMBSTP PKG WAFER ASS'Y			
	DRAFT WHERE APPLICABLE MUST REMAIN WITHIN DIMENSIONS				DRAWING SIZE: A3 THIRD ANGLE PROJECTION	PRODUCT CUSTOMER DRAWING
	RELEASED	REV	A	SERIES: 501331 MATERIAL NUMBER: SEE TABLE OF SHEET 1 CUSTOMER:	DOCUMENT NUMBER: 5013310612-SD DOC TYPE: PSD DOC PART: 000 SHEET NUMBER: 2 OF 3	



CONFIDENTIAL

番号 NO.	部品 PART	材質 MATERIAL
①	ウェハー WAFER	△10 耐熱ナイロン樹脂, 色: 表参照 HEAT RESISTANCE NYLON, COLOR: SEE TABLE UL94V-0
②	ソルダーピン SOLDER PIN	りん青銅 PHOSPHOR BRONZE 錫メッキ: 1.0µm M I N . TIN ニッケルメッキ (下地): 1.0µm M I N . NICKEL (UNDER PLATING)
③	ネイル NAIL	りん青銅 PHOSPHOR BRONZE 錫メッキ: 1.0µm M I N . TIN ニッケルメッキ (下地): 1.0µm M I N . NICKEL (UNDER PLATING)
④	カバーテープ COVER TAPE	ポリイミドテープ POLYIMIDE TAPE

参考パターンレイアウト
RECOMMENDED PATTERN DIM. (REF)
SCALE: 5:1

△10 オーダー番号 ORDER NO.

501331 * * * *
極数 CIRCUIT SIZE 色 COLOR

HSG COLOR	No.
自然色 NATURAL	07
黒 BLACK	12
赤 RED	22
青 BLUE	42
緑 GREEN	62

14.0	17.0	15
13.0	16.0	14
12.0	15.0	13
11.0	14.0	12
10.0	13.0	11
9.0	12.0	10
8.0	11.0	9
7.0	10.0	8
6.0	9.0	7
5.0	8.0	6
G	F	極数 CKT.

- NOTES.
5. 嵌合相手 : 501330****
MATE WITH : 501330****
 6. ソルダーピン及びネイル平坦度は, 0.1MAX .
SOLDER PIN AND NAIL COPLANARITY TO BE 0.1MAX.
 - △7 極数 = 偶数に適用
APPLY FOR CKT SIZE=EVEN
 8. 2 ~ 5 極は, 5013310400-SD を参照下さい。
REFER TO 5013310400-SD ABOUT 2-5CKT.
 - △9 トレードマーク : MXプラス1文字の製造工場を示すアルファベットにて構成
但し, "J"はJAPANを示す。
キャビティー番号 : 1桁から2桁の数字で表示
金型番号 : アルファベット1文字にて構成。
FORMED BY MX AND 1 MORE LETTER OF ALPHABET WHICH MEAN THE MANUFACTORY, BUT "J" MEANS JAPAN. (TO TRADE MARK)
AND BY I DIGIT NUMBER (TO CAVITY NO.)
AND BY I LETTER OF ALPHABET (TO MOLD NO.)

THIS DRAWING CONTAINS INFORMATION THAT IS PROPRIETARY TO MOLEX ELECTRONIC TECHNOLOGIES, LLC AND SHOULD NOT BE USED WITHOUT WRITTEN PERMISSION

RELEASED EC NO: 120301 DRWN: QHE31 CHK'D: SAKIYAMA APPR: TKANEKO	2017/08/03	2017/08/04	2017/08/04	GENERAL TOLERANCES (UNLESS SPECIFIED) ANGULAR TOL ± 3.0 ° 4 PLACES ± 0.2 3 PLACES ± 0.2 2 PLACES ± 0.2 1 PLACE ± 0.2 0 PLACES ± 0.2 DRAFT WHERE APPLICABLE MUST REMAIN WITHIN DIMENSIONS	DIMENSION UNITS MM	SCALE 10:1	 PICO-CLASP 1.0 W/B SINGLE-ROW ST EMBSTP PKG WAFER ASS'Y PRODUCT CUSTOMER DRAWING	
	DRWN BY QHE31	DATE 2017/08/03	CHK'D BY SAKIYAMA		DATE 2017/08/04	DRAWING SIZE A3		THIRD ANGLE PROJECTION
	APPR BY TKANEKO	DATE 2017/08/04	SERIES 501331		MATERIAL NUMBER SEE TABLE OF SHEET 1	CUSTOMER		
	DOCUMENT NUMBER 5013310612-SD	DOC TYPE PSD	DOC PART 000		SHEET NUMBER 3 OF 3			