

7WB3305

2-Bit Bus Switch

The 7WB3305 is an advanced high-speed low-power 2-bit bus switch in ultra-small footprints.

Features

- High Speed: $t_{PD} = 0.25$ ns (Max) @ $V_{CC} = 4.5$ V
- 3Ω Switch Connection Between 2 Ports
- Power Down Protection Provided on Inputs
- Zero Bounce
- TTL-Compatible Control Inputs
- Ultra-Small Pb-Free Packages
- These are Pb-Free Devices



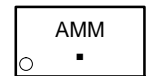
ON Semiconductor®

<http://onsemi.com>

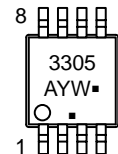
MARKING DIAGRAMS



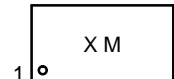
UDFN8
MU SUFFIX
CASE 517AJ



Micro8™
DM SUFFIX
CASE 846A



UDFN8
1.95 x 1.0
CASE 517CA



A = Assembly Location
Y = Year
W = Work Week
M = Date Code
▪ = Pb-Free Package

(Note: Microdot may be in either location)

ORDERING INFORMATION

See detailed ordering and shipping information in the package dimensions section on page 7 of this data sheet.

7WB3305

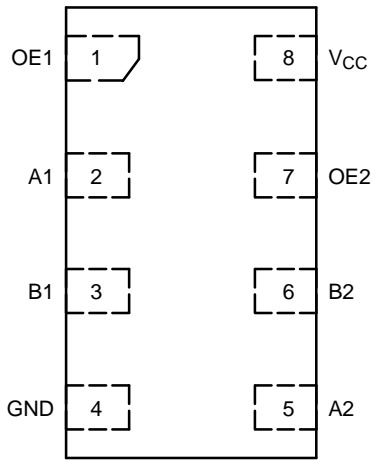


Figure 1. UDFN8
(Top Thru-View)

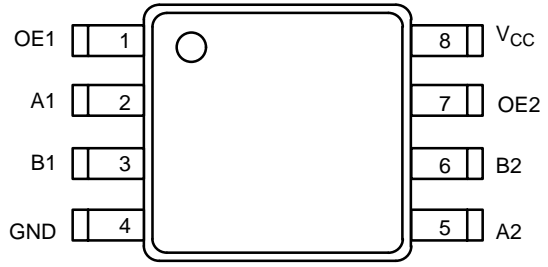


Figure 2. Micro8
(Top View)

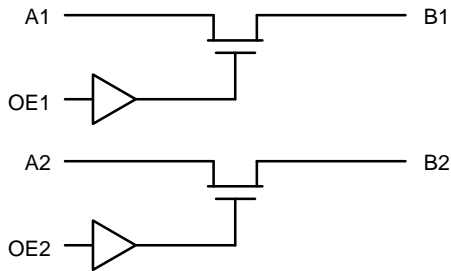


Figure 3. Logic Diagram

FUNCTION TABLE

| Input OEn | Function |
|-----------|-------------|
| L | Disconnect |
| H | $B_n = A_n$ |

7WB3305

MAXIMUM RATINGS

| Symbol | Parameter | Value | Unit |
|---------------|--|----------------------|---------------|
| V_{CC} | DC Supply Voltage | -0.5 to +7.0 | V |
| V_{IN} | Control Pin Input Voltage | -0.5 to +7.0 | V |
| $V_{I/O}$ | Switch Input / Output Voltage | -0.5 to +7.0 | V |
| I_{IK} | Control Pin DC Input Diode Current $V_{IN} < GND$ | -50 | mA |
| I_{OK} | Switch I/O Port DC Diode Current $V_{I/O} < GND$ | -50 | mA |
| I_O | ON-State Switch Current | ± 128 | mA |
| | Continuous Current Through V_{CC} or GND | ± 150 | mA |
| I_{CC} | DC Supply Current Per Supply Pin | ± 150 | mA |
| I_{GND} | DC Ground Current per Ground Pin | ± 150 | mA |
| T_{STG} | Storage Temperature Range | -65 to +150 | $^{\circ}C$ |
| T_L | Lead Temperature, 1 mm from Case for 10 Seconds | 260 | $^{\circ}C$ |
| T_J | Junction Temperature Under Bias | 150 | $^{\circ}C$ |
| θ_{JA} | Thermal Resistance UDFN8 (Note 1) Micro8 | 111 | $^{\circ}C/W$ |
| | | 392 | |
| P_D | Power Dissipation in Still Air at 85 $^{\circ}C$ UDFN8 Micro8 | 1127 | mW |
| | | 319 | |
| MSL | Moisture Sensitivity | Level 1 | |
| F_R | Flammability Rating Oxygen Index: 28 to 34 | UL 94 V-0 @ 0.125 in | |
| V_{ESD} | ESD Withstand Voltage Human Body Mode (Note 2) Machine Model (Note 3) Charged Device Model (Note 4) | > 2000 | V |
| | | > 200 | |
| | | N/A | |
| $I_{LATCHUP}$ | Latchup Performance Above V_{CC} and Below GND at 125 $^{\circ}C$ (Note 5) | ± 200 | mA |

Stresses exceeding those listed in the Maximum Ratings table may damage the device. If any of these limits are exceeded, device functionality should not be assumed, damage may occur and reliability may be affected.

1. Measured with minimum pad spacing on an FR4 board, using 10 mm-by-1 inch, 2 ounce copper trace no air flow.
2. Tested to EIA / JESD22-A114-A.
3. Tested to EIA / JESD22-A115-A.
4. Tested to JESD22-C101-A.
5. Tested to EIA / JESD78.

RECOMMENDED OPERATING CONDITIONS

| Symbol | Parameter | Min | Max | Unit |
|---------------------|---|-----|------|-------------|
| V_{CC} | Positive DC Supply Voltage | 4.0 | 5.5 | V |
| V_{IN} | Control Pin Input Voltage | 0 | 5.5 | V |
| $V_{I/O}$ | Switch Input / Output Voltage | 0 | 5.5 | V |
| T_A | Operating Free-Air Temperature | -55 | +125 | $^{\circ}C$ |
| $\Delta t/\Delta V$ | Input Transition Rise or Fall Rate Control Input Switch I/O | 0 | 5 | nS/V |
| | | 0 | DC | |

Functional operation above the stresses listed in the Recommended Operating Ranges is not implied. Extended exposure to stresses beyond the Recommended Operating Ranges limits may affect device reliability.

7WB3305

DC ELECTRICAL CHARACTERISTICS

| Symbol | Parameter | Conditions | V _{CC} (V) | T _A = 25°C | | | T _A = -55°C to +125°C | | Unit |
|------------------|--|--|---------------------|-----------------------|-----|------|----------------------------------|------|------|
| | | | | Min | Typ | Max | Min | Max | |
| V _{IK} | Clamp Diode Voltage | I _{I/O} = -18 mA | 4.5 | | | -1.2 | | -1.2 | V |
| V _{IH} | High-Level Input Voltage (Control) | | 4.0 to 5.5 | 2.0 | | | 2.0 | | V |
| V _{IL} | Low-Level Input Voltage (Control) | | 4.0 to 5.5 | | | 0.8 | | 0.8 | V |
| V _{OH} | Output Voltage High | See Figure 4 | | | | | | | |
| I _{IN} | Input Leakage Current | 0 ≤ V _{IN} ≤ 5.5 V | 5.5 | | | ±0.1 | | ±1.0 | μA |
| I _{OFF} | Power Off Leakage Current | V _{I/O} = 0 to 5.5 V | 0 | | | ±0.1 | | ±1.0 | μA |
| I _{CC} | Quiescent Supply Current | I _O = 0, V _{IN} = V _{CC} or 0 V | 5.5 | | | ±0.1 | | ±1.0 | μA |
| ΔI _{CC} | Increase in Supply Current (Control Pin) | One input at 3.4 V; Other inputs at V _{CC} or GND | 5.5 | | | | | 2.5 | mA |
| R _{ON} | Switch ON Resistance | V _{I/O} = 0, I _{I/O} = 64 mA | 4.5 | | 3 | 7 | | 7 | Ω |
| | | I _{I/O} = 30 mA | | | 3 | 7 | | 7 | |
| | | V _{I/O} = 2.4, I _{I/O} = 15 mA | | 6 | 15 | | 15 | | |
| | | V _{I/O} = 2.4, I _{I/O} = 15 mA | 4.0 | | 10 | 20 | | 20 | |

Product parametric performance is indicated in the Electrical Characteristics for the listed test conditions, unless otherwise noted. Product performance may not be indicated by the Electrical Characteristics if operated under different conditions.

AC ELECTRICAL CHARACTERISTICS

| Symbol | Parameter | Test Condition | V _{CC} (V) | T _A = 25 °C | | | T _A = -55°C to +125°C | | Unit |
|----------------------|-------------------------------|----------------------------|---------------------|------------------------|-----|------|----------------------------------|------|------|
| | | | | Min | Typ | Max | Min | Max | |
| t _{PD} | Propagation Delay, Bus to Bus | See Figure 5 | 4.0 to 5.5 | | | 0.25 | | 0.25 | ns |
| t _{EN} | Output Enable Time | See Figure 5 | 4.5 to 5.5 | 0.8 | 2.5 | 4.2 | 0.8 | 4.2 | ns |
| | | | 4.0 | 0.8 | 3.0 | 4.6 | 0.8 | 4.6 | |
| t _{DIS} | Output Disable Time | | 4.5 to 5.5 | 0.8 | 3.0 | 4.8 | 0.8 | 4.8 | ns |
| | | | 4.0 | 0.8 | 2.9 | 4.4 | 0.8 | 4.4 | |
| C _{IN} | Control Input Capacitance | V _{IN} = 5 or 0 V | 5.0 | | 2.5 | | | | pF |
| C _{IO(ON)} | Switch On Capacitance | Switch ON | 5.0 | | 10 | | | | pF |
| C _{IO(OFF)} | Switch Off Capacitance | Switch OFF | 5.0 | | 5 | | | | pF |

7WB3305

TYPICAL DC CHARACTERISTICS

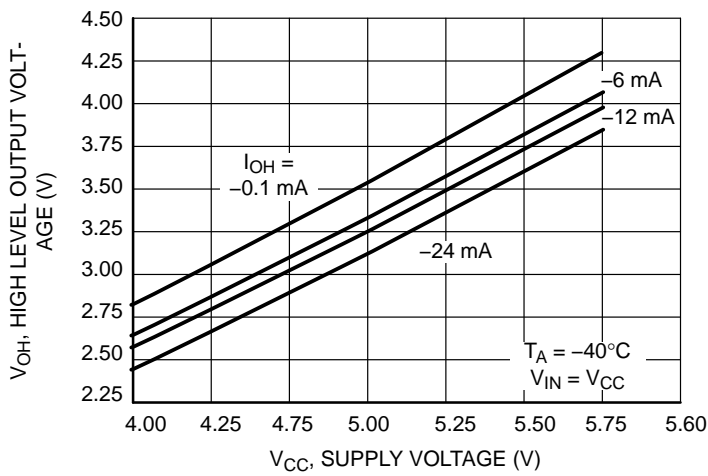
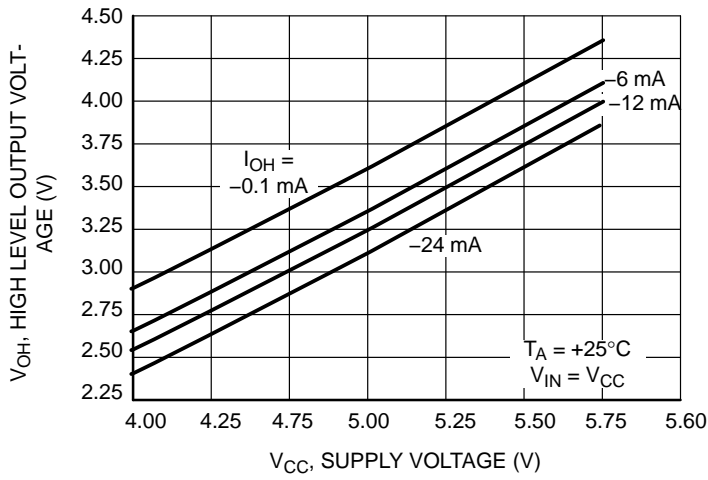
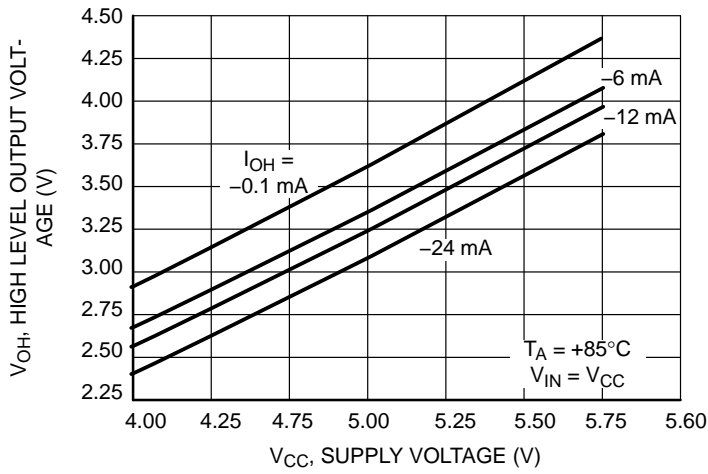
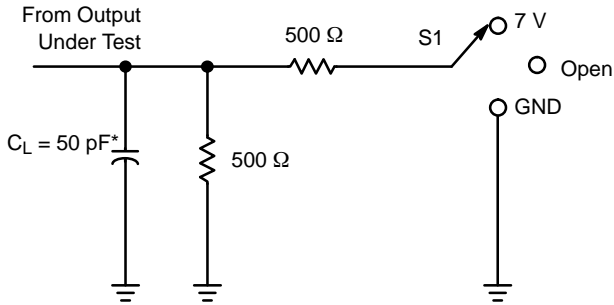


Figure 4. Output Voltage High vs Supply Voltage

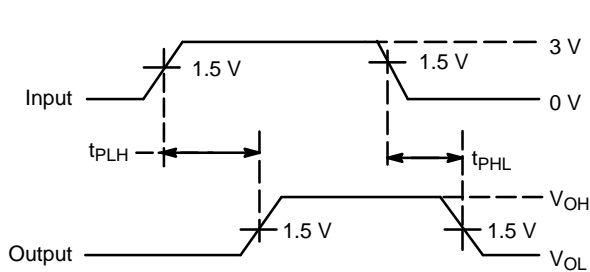
AC LOADING AND WAVEFORMS

Parameter Measurement Information

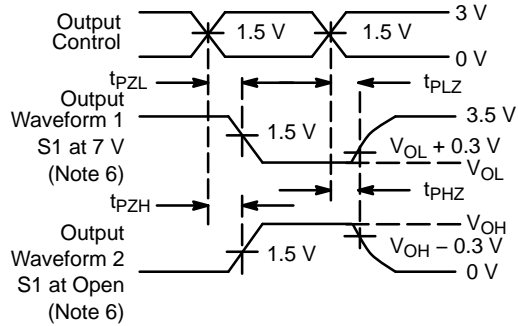


* C_L includes probes and jig capacitance.

| Test | S1 |
|-------------------|------|
| t_{PD} | Open |
| t_{PLZ}/t_{PZL} | 7 V |
| t_{PHZ}/t_{PZH} | Open |



Voltage Waveforms
Propagation Delay Times



Voltage Waveforms
Enable and Disable Times

6. Waveform 1 is for an output with internal conditions such that the output is low, except when disabled by the output control. Waveform 2 is for an output with internal conditions such that the output is high, except when disabled by the output control
7. All input pulses are supplied by generators having the following characteristics: $PRR \leq 10 \text{ MHz}$, $Z_O = 50 \Omega$, $t_r \leq 2.5 \text{ ns}$, $t_f \leq 2.5 \text{ ns}$.
8. The outputs are measured one at a time, with one transition per measurement.
9. t_{PLZ} and t_{PHZ} are the same as t_{DIS} .
10. t_{PZL} and t_{PZH} are the same as t_{EN} .
11. t_{PHL} and t_{PLH} are the same as t_{PD} .

Figure 5. t_{PD} , t_{EN} , t_{DIS} Loading and Waveforms

7WB3305

ORDERING INFORMATION

| Device | Package | Shipping† |
|---------------|--|--------------------|
| 7WB3305MUTAG | UDFN8 (Pb-Free) | 3000 / Tape & Reel |
| 7WB3305DMR2G | Micro8 (Pb-Free) | 4000 / Tape & Reel |
| 7WB3305DMUTCG | UDFN8, 1.95 x 1.0, 0.5 mm Pitch (Pb-Free) | 3000 / Tape & Reel |

†For information on tape and reel specifications, including part orientation and tape sizes, please refer to our Tape and Reel Packaging Specifications Brochure, BRD8011/D.

MECHANICAL CASE OUTLINE

PACKAGE DIMENSIONS

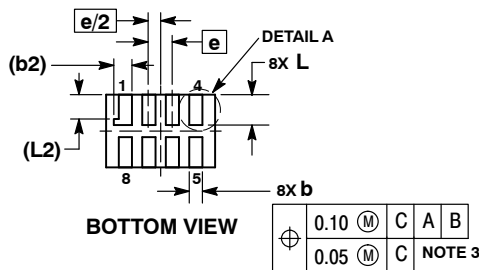
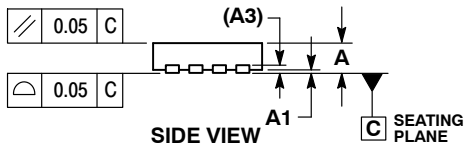
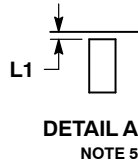
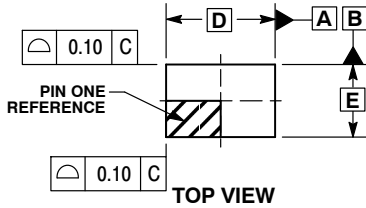
ON Semiconductor®



SCALE 4:1

UDFN8 1.8x1.2, 0.4P
CASE 517AJ-01
ISSUE O

DATE 08 NOV 2006

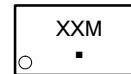


NOTES:

1. DIMENSIONING AND TOLERANCING PER ASME Y14.5M, 1994.
2. CONTROLLING DIMENSION: MILLIMETERS.
3. DIMENSION b APPLIES TO PLATED TERMINAL AND IS MEASURED BETWEEN 0.15 AND 0.30 mm FROM TERMINAL TIP.
4. MOLD FLASH ALLOWED ON TERMINALS ALONG EDGE OF PACKAGE. FLASH MAY NOT EXCEED 0.03 ONTO BOTTOM SURFACE OF TERMINALS.
5. DETAIL A SHOWS OPTIONAL CONSTRUCTION FOR TERMINALS.

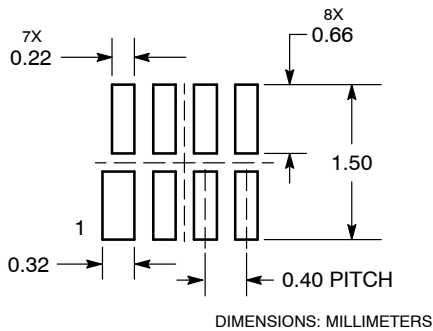
| DIM | MILLIMETERS | |
|-----|-------------|------|
| | MIN | MAX |
| A | 0.45 | 0.55 |
| A1 | 0.00 | 0.05 |
| A3 | 0.127 | REF |
| b | 0.15 | 0.25 |
| b2 | 0.30 | REF |
| D | 1.80 | BSC |
| E | 1.20 | BSC |
| e | 0.40 | BSC |
| L | 0.45 | 0.55 |
| L1 | 0.00 | 0.03 |
| L2 | 0.40 | REF |

GENERIC MARKING DIAGRAM*



- XX = Specific Device Code
- M = Date Code
- = Pb-Free Package

**MOUNTING FOOTPRINT
SOLDERMASK DEFINED**



*This information is generic. Please refer to device data sheet for actual part marking. Pb-Free indicator, "G" or microdot "▪", may or may not be present.

| | | |
|-------------------------|----------------------------|--|
| DOCUMENT NUMBER: | 98AON23417D | Electronic versions are uncontrolled except when accessed directly from the Document Repository. Printed versions are uncontrolled except when stamped "CONTROLLED COPY" in red. |
| DESCRIPTION: | UDFN8 1.8X1.2, 0.4P | PAGE 1 OF 1 |

ON Semiconductor and ON are trademarks of Semiconductor Components Industries, LLC dba ON Semiconductor or its subsidiaries in the United States and/or other countries. ON Semiconductor reserves the right to make changes without further notice to any products herein. ON Semiconductor makes no warranty, representation or guarantee regarding the suitability of its products for any particular purpose, nor does ON Semiconductor assume any liability arising out of the application or use of any product or circuit, and specifically disclaims any and all liability, including without limitation special, consequential or incidental damages. ON Semiconductor does not convey any license under its patent rights nor the rights of others.

onsemi, **Onsemi**, and other names, marks, and brands are registered and/or common law trademarks of Semiconductor Components Industries, LLC dba "**onsemi**" or its affiliates and/or subsidiaries in the United States and/or other countries. **onsemi** owns the rights to a number of patents, trademarks, copyrights, trade secrets, and other intellectual property. A listing of **onsemi**'s product/patent coverage may be accessed at www.onsemi.com/site/pdf/Patent-Marking.pdf. **onsemi** reserves the right to make changes at any time to any products or information herein, without notice. The information herein is provided "as-is" and **onsemi** makes no warranty, representation or guarantee regarding the accuracy of the information, product features, availability, functionality, or suitability of its products for any particular purpose, nor does **onsemi** assume any liability arising out of the application or use of any product or circuit, and specifically disclaims any and all liability, including without limitation special, consequential or incidental damages. Buyer is responsible for its products and applications using **onsemi** products, including compliance with all laws, regulations and safety requirements or standards, regardless of any support or applications information provided by **onsemi**. "Typical" parameters which may be provided in **onsemi** data sheets and/or specifications can and do vary in different applications and actual performance may vary over time. All operating parameters, including "Typicals" must be validated for each customer application by customer's technical experts. **onsemi** does not convey any license under any of its intellectual property rights nor the rights of others. **onsemi** products are not designed, intended, or authorized for use as a critical component in life support systems or any FDA Class 3 medical devices or medical devices with a same or similar classification in a foreign jurisdiction or any devices intended for implantation in the human body. Should Buyer purchase or use **onsemi** products for any such unintended or unauthorized application, Buyer shall indemnify and hold **onsemi** and its officers, employees, subsidiaries, affiliates, and distributors harmless against all claims, costs, damages, and expenses, and reasonable attorney fees arising out of, directly or indirectly, any claim of personal injury or death associated with such unintended or unauthorized use, even if such claim alleges that **onsemi** was negligent regarding the design or manufacture of the part. **onsemi** is an Equal Opportunity/Affirmative Action Employer. This literature is subject to all applicable copyright laws and is not for resale in any manner.

PUBLICATION ORDERING INFORMATION

LITERATURE FULFILLMENT:

Email Requests to: orderlit@onsemi.com

onsemi Website: www.onsemi.com

TECHNICAL SUPPORT

North American Technical Support:

Voice Mail: 1 800-282-9855 Toll Free USA/Canada

Phone: 011 421 33 790 2910

Europe, Middle East and Africa Technical Support:

Phone: 00421 33 790 2910

For additional information, please contact your local Sales Representative