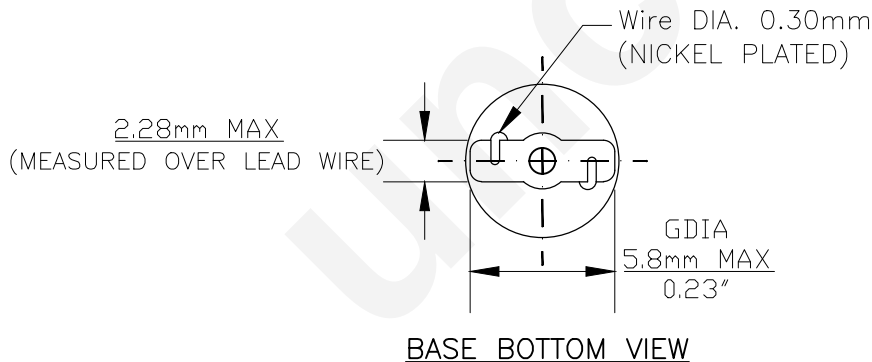
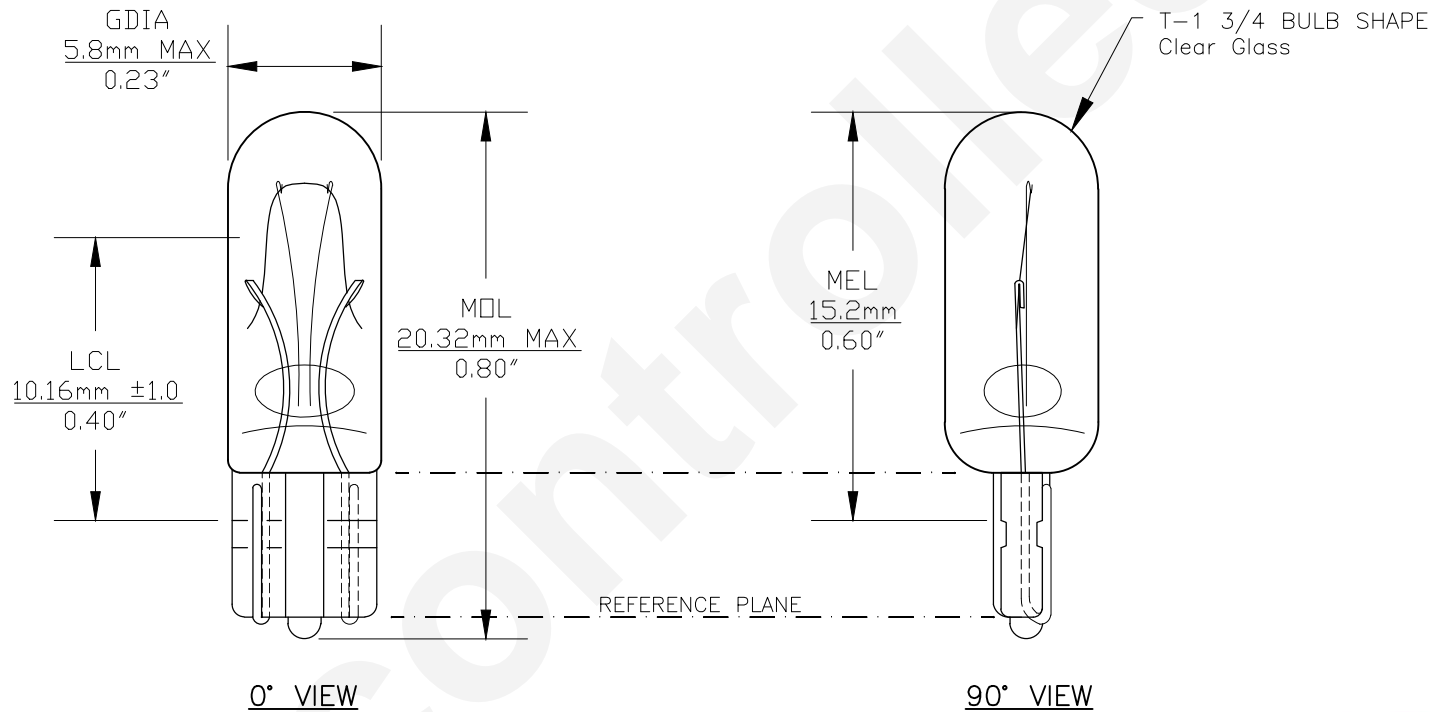




PART NO.	BASE TYPE	DESIGN VOLTS	DESIGN AMPS	MSCD	FILAMENT TYPE	AVERAGE LIFE HOURS	REVISIONS			
							REV #	DESCRIPTION	DATE	APPROVED
86	Sub-miniature Glass Wedge (T-1 3/4)	6.3V	0.20±15%	0.40±30%	C-2F	20,000	1	REVISED FILAMENT TYPE	01/18/2005	D.C.
							2	ADDITIONAL DIMENSIONS	08/17/2005	D.C.
							3	REDRAWN FOR ADDITIONAL VIEW	10/30/2014	R.M.



Note: Made according to SAE specifications



UNLESS OTHERWISE SPECIFIED: DIMENSIONS ARE IN INCHES TOLERANCES		CEC INDUSTRIES LTD	
DECIMALS .XX ± .05	ANGULAR .XXX ± .010	599 BOND STREET	LINCOLNSHIRE, IL 60069
FRACTIONAL ±1/64		TITLE LIGHT BULB NO. 86	
DRAWN ELIZABETH SONANES	DATE 02/01/2001	SIZE A	FSCM NO. DWG NO. 86 REV 3
CHECKED		SCALE	PLOT SCALE SHEET 1 OF 1
DESIGN		FILE 86.pdf	DRAWING NOT TO SCALE