



ANATECH ELECTRONICS INC
RF & Microwave Filters & Products

12400 MHz Bandpass Filter

Part Number: AE12400B8702



Electrical Specifications

Center Frequency: 12.4 GHz
0.5-dB Bandwidth: >11 GHz to 14 GHz
Impedance: 50 Ohms
Insertion Loss: ≤ 1.5 dB
Rejection : ≥ 90 dB @ 1 GHz to 4 GHz
Rejection2 : ≥ 60 dB @ 5 GHz
Rejection3 : ≥ 50 dB @ 6 GHz
Rejection3 : ≥ 30 dB @ 9 GHz
VSWR: <1.5:1

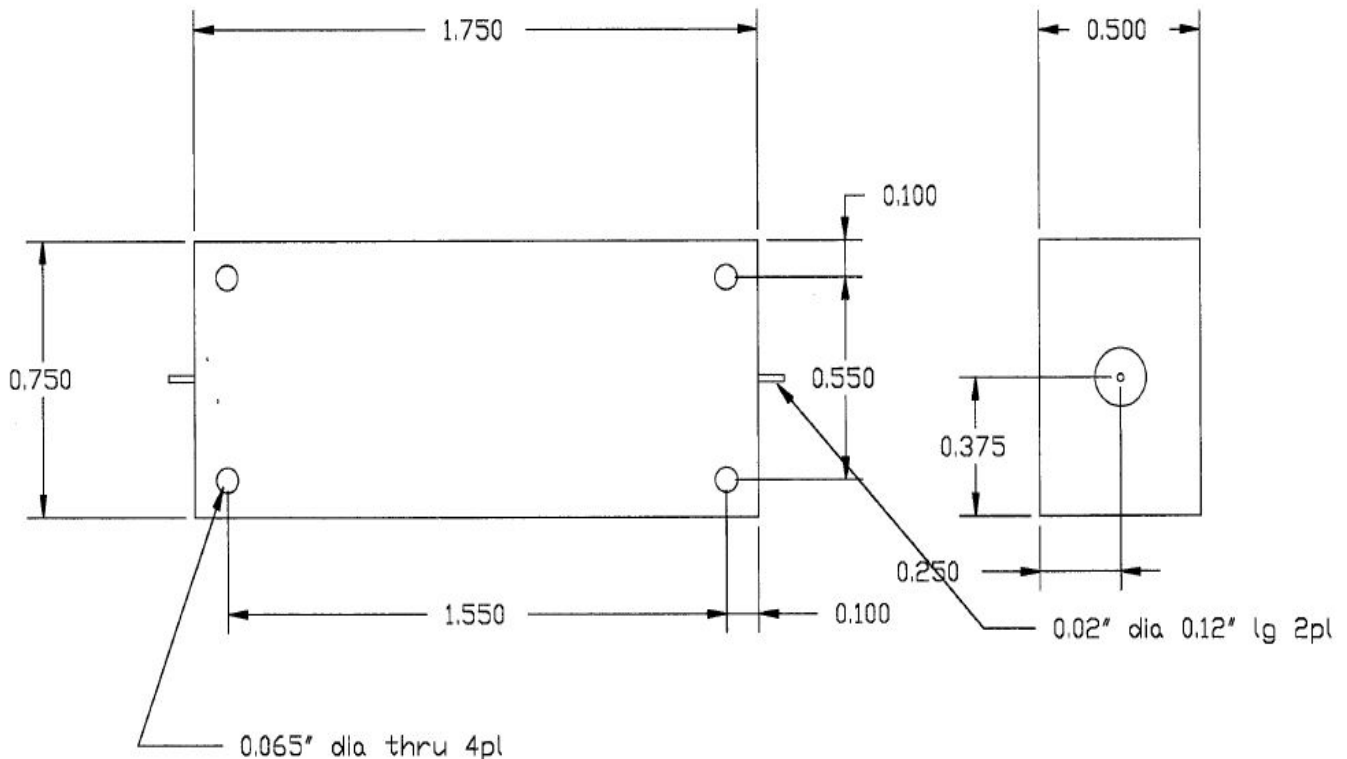
Mechanical

Mounting Method: Through Holes
Connector Type: Surface Mount
Dimensions: 1.75" X 0.75" x 0.5" in.

Environmental

Operating Temperature: -40°C to +70°C
Storage Temperature: -25°C to +90°C
Shock: 10 G. 11ms
Vibration: 10 G. 5 to 200Hz

Outline Drawing:





ANATECH ELECTRONICS INC
RF & Microwave Filters & Products

12400 MHz Bandpass Filter

Part Number: AE12400B8702

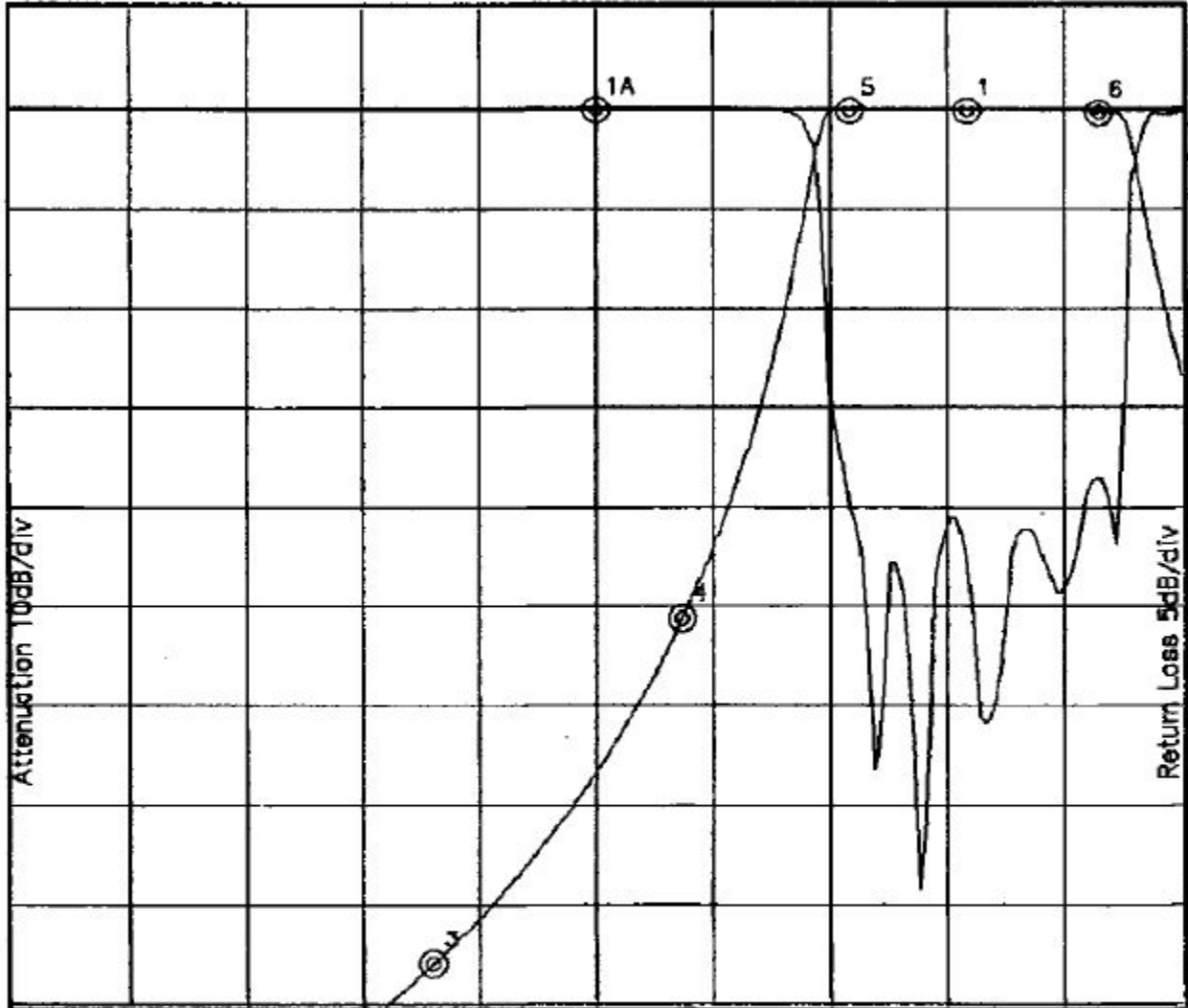


Response Plot:

ANATECH ELECTRONICS 11-14GHz BPF P/N B8702

JAN 14, 2004

Attenuation/Return Loss



Attenuation Start: 1000.0MHz Stop: 15.0GHz

Return Loss Start: 1000.0MHz Stop: 15.0GHz

Marker 1 Freq 12.422GHz Atten -0.214dB

Marker 1A Freq 7.989GHz Ret Loss 0.000dB

Marker 2 Freq 4.008GHz Atten -99.497dB

Marker 3 Freq 6.021GHz Atten -86.506dB

Marker 4 Freq 9.006GHz Atten -51.600dB

Marker 5 Freq 11.019GHz Atten 0.297dB

Marker 6 Freq 14.005GHz Atten -0.358dB