

THIS DRAWING IS A CONTROLLED DOCUMENT

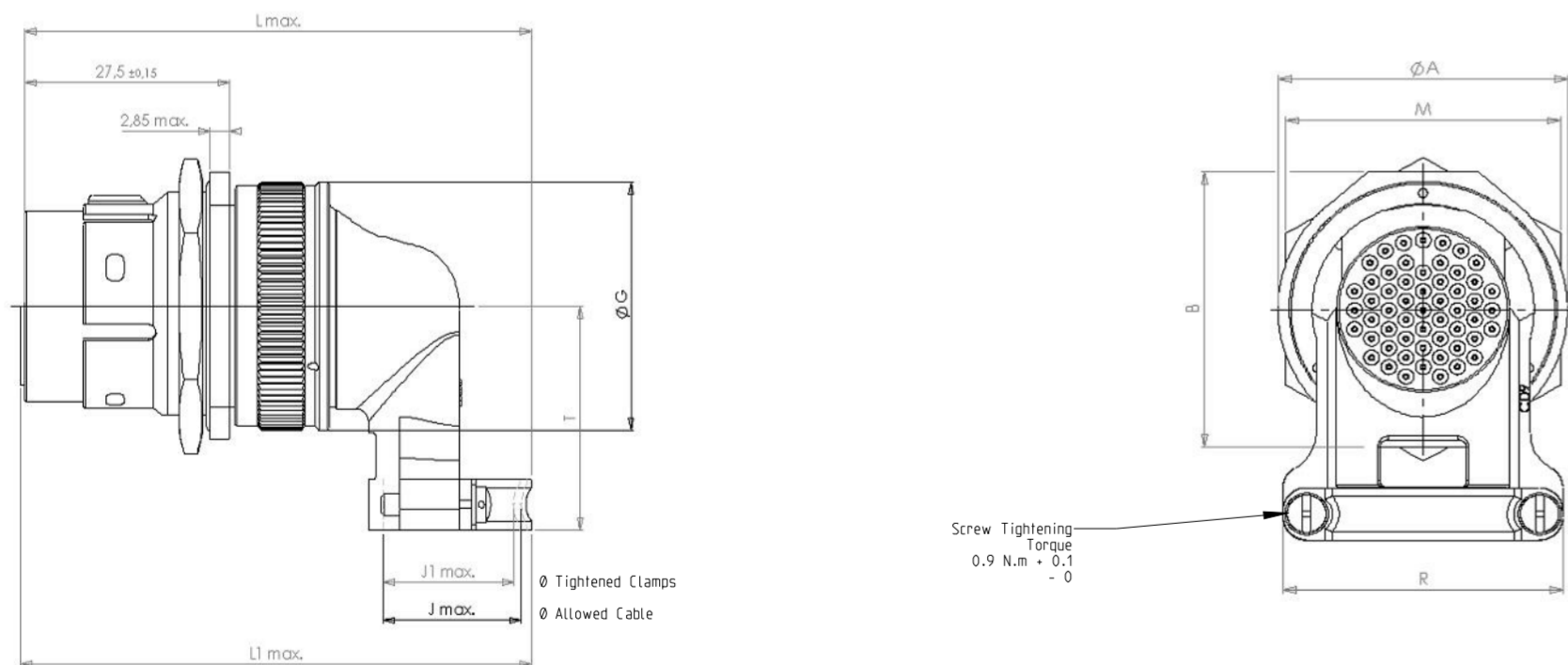
DWG NO
DBAS-974-XX

CONNECTOR TYPE	DBAS
SHELL TYPE	974 - Jam-Nut Mounting Receptacle
SHELL SIZE	9-11-13-15-17-19-21-23-25
ARRANGEMENTS	XX - XX X N XX ****
CONTACT TYPE	P Pin Contact S Socket Contact
INSERT CLOCKING POSITION	N - Normal
KEY ORIENTATION	DA, DB, DC, DD, DE, DF, DG
SPECIAL MODIFICATIONS	1A Without nut 059 Straight cable clamp 081 Elbowed cable clamp 090 Without contact 395 Kerosene-resistant insert A083 Potting cup A838 Olive drab cadmium ***** For other modifications, consult TE.

CHARACTERISTICS

1. Shell Material : Aluminium alloy, Nickel plated.
2. RFI ring Material : Beryllium Copper, Nickel plated.
3. Insert Material : Thermoplastic and Fluorinated silicone
4. Contact : Crimp Type, Gold over Nickel plated.
5. Service Temperature : -55°C to +200°C

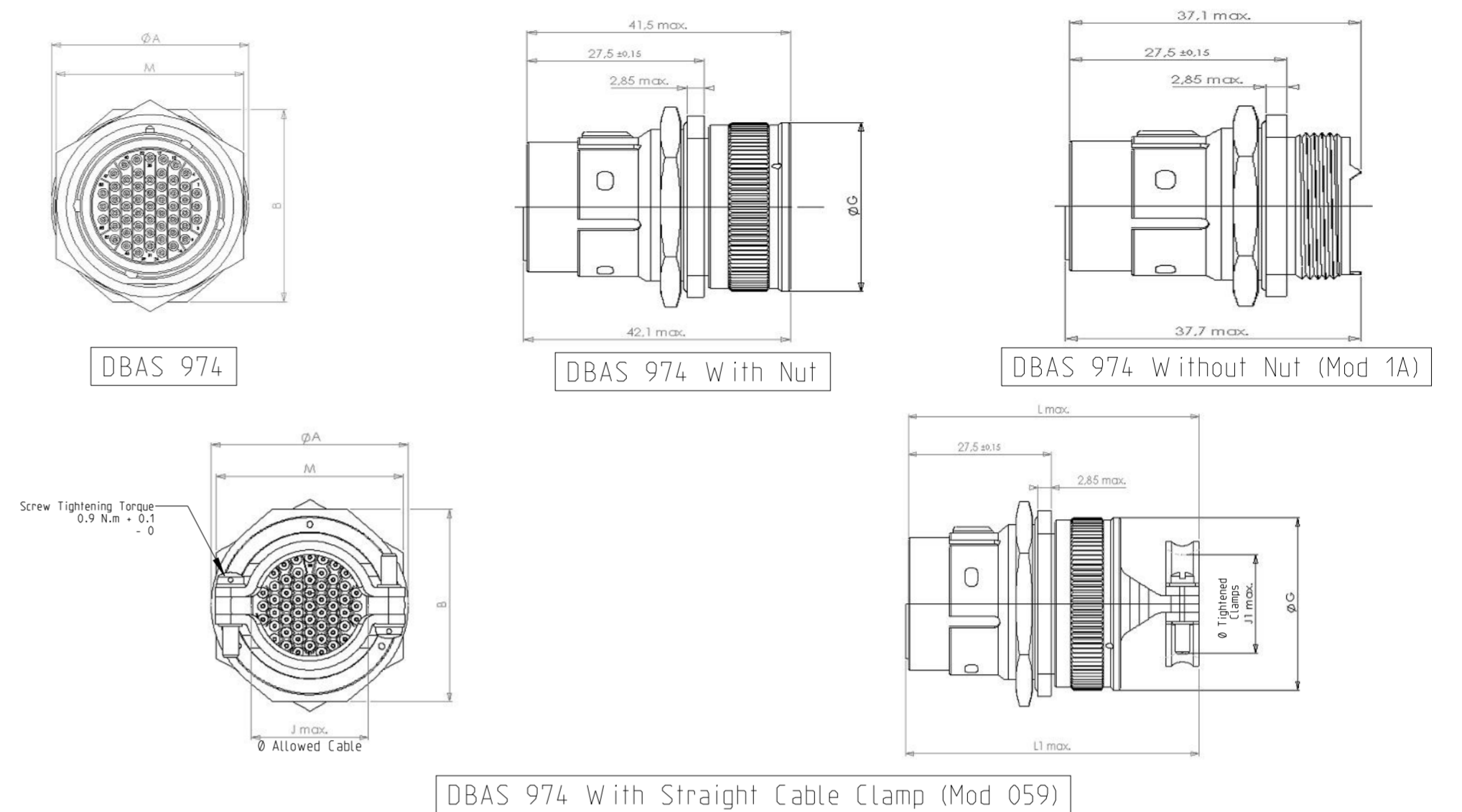
DBAS 974-WITH ELBOWED CABLE CLAMP (MOD 081)



Part Number with Elbowed Cable Clamp	A Max	B Max	G Max	M Max	Max. Nut Panel Tightening Torque	J Max	J1 Max	L Max	L1 Max	R Max	T Max
DBAS 974-09-**-** P/S * 081	19.2	19.2	17	16.31	See FIT 107-B BS 574	6.6	5.15	54.5	55.1	17.4	21.4
DBAS 974-11-**-** P/S * 081	22.4	22.4	21.8	21.07		12.75	10.55	59.6	60.2	23.6	23.8
DBAS 974-13-**-** P/S * 081	27.2	27.2	25	24.24		14.6	12.05	61.9	62.5	25.5	25.3
DBAS 974-15-**-** P/S * 081	30.4	29.6	28.25	27.4		17.8	15.85	65.3	65.9	29.7	26.8
DBAS 974-17-**-** P/S * 081	33.6	33.5	30.95	32.18		19.8	17.95	68.6	69.2	32.6	28.3
DBAS 974-19-**-** P/S * 081	33.6	33.5	30.95	32.18		19.8	17.95	68.6	69.2	32.6	28.3
DBAS 974-21-**-** P/S * 081	38.3	36.3	34.15	35.36		23	21.05	72	72.6	36	29.9
DBAS 974-23-**-** P/S * 081	47.8	47.2	42	43.02							

DBAS 974-JAM-NUT MOUNTED FLANGE RECEPTACLE/WITH STRAIGHT CABLE CLAMP

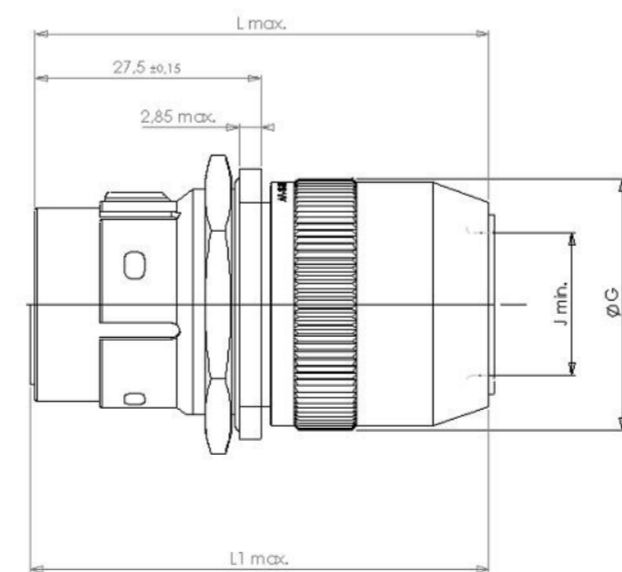
USED ON -



DBAS 974 With Straight Cable Clamp (Mod 059)

Part Number	Part Number without Nut	Part Number with Straight Cable Clamp	A Max	B Max	G Max	M Max	Max. Nut Panel Tightening Torque	J Max*	With Straight Cable Clamp		
									J1 Max	L Max	L1 Max
DBAS 974-09-**-** P/S *	DBAS 974-09-**-** P/S * 1A	DBAS 974-09-**-** P/S * 059	19.2	19.2	17	16.31	See FIT 107-B BS 574	6.6	5.15	50.5	51
DBAS 974-11-**-** P/S *	DBAS 974-11-**-** P/S * 1A	DBAS 974-11-**-** P/S * 059	22.4	22.4	21.8	21.07		12.75	10.55	50.5	51
DBAS 974-13-**-** P/S *	DBAS 974-13-**-** P/S * 1A	DBAS 974-13-**-** P/S * 059	27.2	27.2	25	24.24		14.6	12.05	56.5	57.1
DBAS 974-15-**-** P/S *	DBAS 974-15-**-** P/S * 1A	DBAS 974-15-**-** P/S * 059	30.4	29.6	28.25	27.4		17.8	15.85	56.5	57.1
DBAS 974-17-**-** P/S *	DBAS 974-17-**-** P/S * 1A	DBAS 974-17-**-** P/S * 059	33.6	33.5	30.95	32.18		19.8	17.95	56.5	57.1
DBAS 974-19-**-** P/S *	DBAS 974-19-**-** P/S * 1A	DBAS 974-19-**-** P/S * 059	33.6	33.5	30.95	32.18		19.8	17.95	56.5	57.1
DBAS 974-21-**-** P/S *	DBAS 974-21-**-** P/S * 1A	DBAS 974-21-**-** P/S * 059	38.3	36.3	34.15	35.36		23	21.05	56.5	57.1
DBAS 974-23-**-** P/S *	DBAS 974-23-**-** P/S * 1A	DBAS 974-23-**-** P/S * 059	47.8	47.2	42	43.02		30.1	27.45	56.5	57.1
DBAS 974-25-**-** P/S *	DBAS 974-25-**-** P/S * 1A	DBAS 974-25-**-** P/S * 059	47.8	47.2	42	43.02		30.1	27.45	56.5	57.1

DBAS 974-WITH POTTING CUP (MOD A083)



Part Number with Potting Cup	A Max	B Max	G Max	M Max	Max. Nut Panel Tightening Torque	J mini	L Max	L1 Max
DBAS 974-09-**-** P/S * A083	19.2	19.2	17	16.31	See FIT 107-B BS 574	4.6	50.6	51.2
DBAS 974-11-**-** P/S * A083	22.4	22.4	21.8	21.07		10	50.6	51.2
DBAS 974-13-**-** P/S * A083	27.2	27.2	25	24.24		11.5	56.1	56.7
DBAS 974-15-**-** P/S * A083	30.4	29.6	28.25	27.4		15.3	56.1	56.7
DBAS 974-17-**-** P/S * A083	33.6	33.5	30.95	32.18		17.3	56.1	56.7
DBAS 974-19-**-** P/S * A083	33.6	33.5	30.95	32.18		17.3	56.1	56.7
DBAS 974-21-**-** P/S * A083	38.3	36.3	34.15	35.36		20.5	56.1	56.7
DBAS 974-23-**-** P/S * A083	47.8	47.2	42	43.02		26.8	56.1	56.7
DBAS 974-25-**-** P/S * A083	47.8	47.2	42	43.02		26.8	56.1	56.7

A	PRELIMINARY RELEASE	-	MB	RS
LTR	REVISION RECORD	DATE	DWN	APVD

DIMENSIONS:	TOLERANCES UNLESS OTHERWISE SPECIFIED.
mm	
0 PLC	±
1 PLC	±0.1
2 PLC	±0.01
3 PLC	±0.001
4 PLC	±0.0001

ANGLE:	-
SURFACE TEXTURE:	√

DWN	22NOV2021	MATERIAL	-	HEAT TREAT	-
CHK	22NOV2021				
APVD	23NOV2021				
NAME	DBAS 974_JAM-NUT MOUNTING RECEPTACLE				
SCALE	1:1	SIZE	A2	DRAWING NO	DBAS-974-XX
SHEET	1	OF	1	REV	1



THIS INFORMATION IS CONFIDENTIAL AND PROPRIETARY TO TE CONNECTIVITY LTD. AND ITS WORLDWIDE SUBSIDIARIES AND AFFILIATES (TE). IT MAY NOT BE DISCLOSED TO ANYONE, OTHER THAN TE PERSONNEL, WITHOUT AUTHORIZATION FROM TE (www.te.com).