

H2.4-R-SR2-1 RF Report

HIROSE ELECTRIC CO.,LTD.
Nov. 2019
Rev.1
RF-17114

Outline

- 1. Feature*
- 2. Simulation model*
- 3. Electrical performance*
- 4. Measurement data*

1. Feature

- Complies with MIL-STD-348B Standard
- Supports up to 50GHz frequency
- Screw mounting
 - Provides excellent high frequency characteristics and consistent assembly quality
 - Reusable
 - Reduces mounting complexity
- Flexible PCB thickness
- RoHS compliant



2. Simulation model

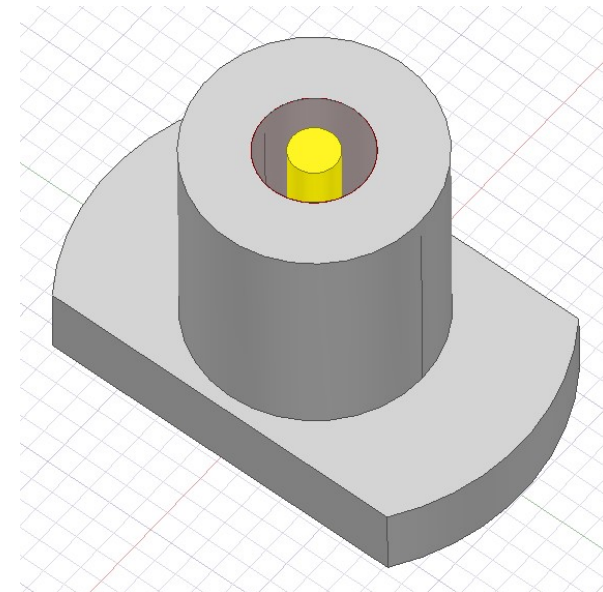
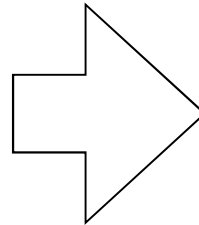
s2p file is created by HFSS.

Please see the details below:

<https://www.hirose.com/product/en/pr/mmwave/>



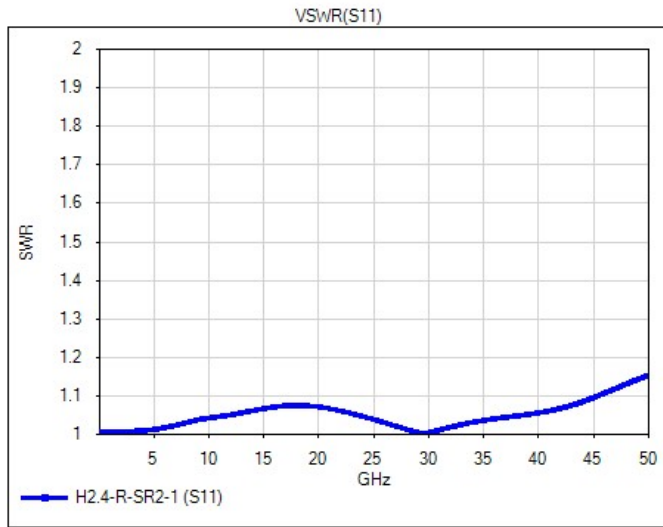
Original model



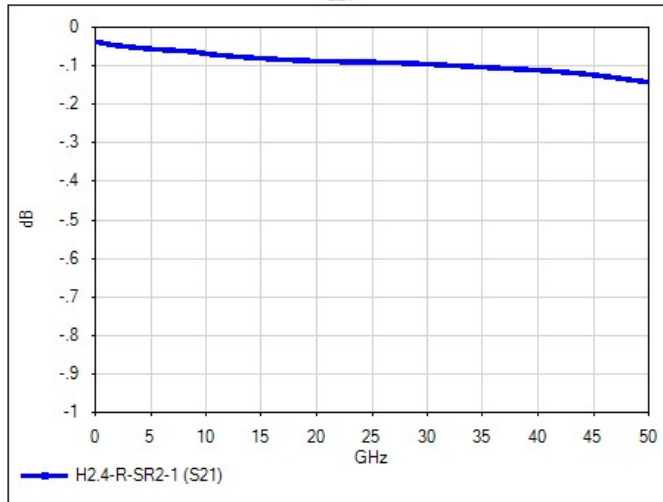
HFSS simulation model

3. Electrical performance

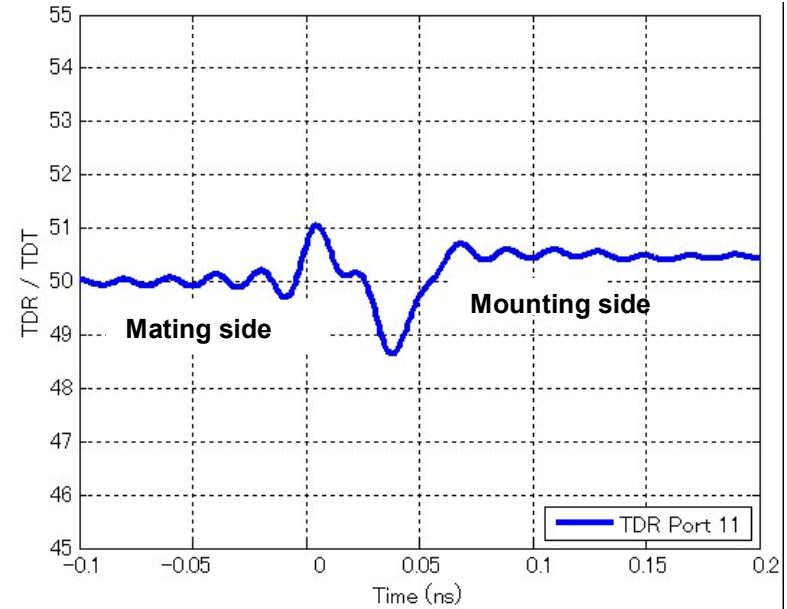
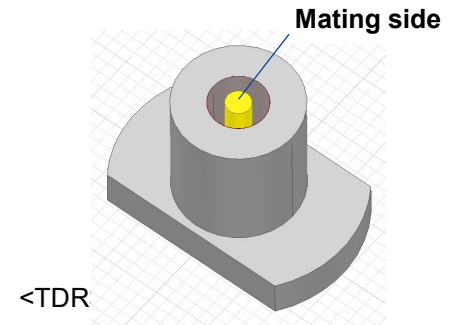
< VSWR >



< Insertion Loss >

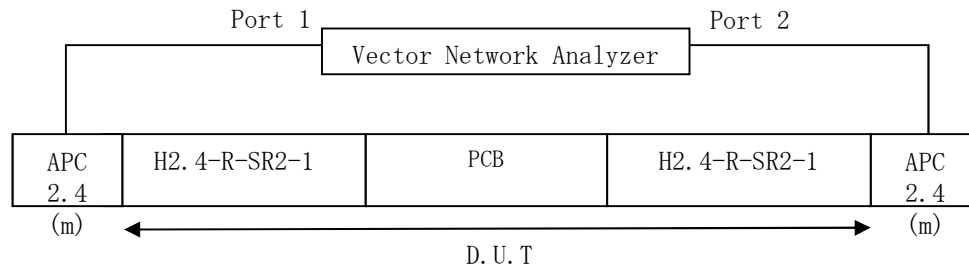


Simulation result: s2p



4. Measurement data

◆ Measurement setup



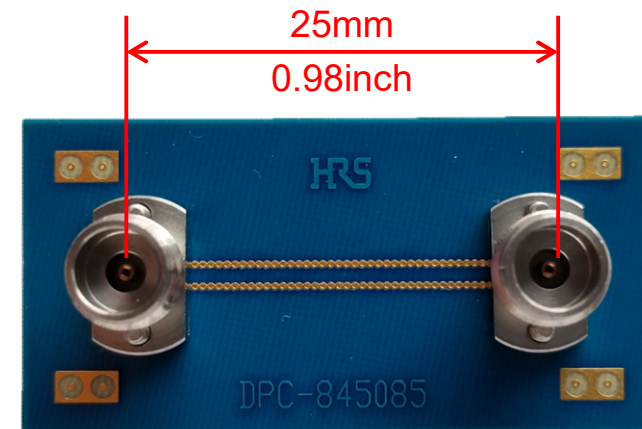
VNA information

2 port Agilent E8361A PNA

Frequency range : 100MHz – 50GHz

Number of Points : 801 points

IF band : 500Hz

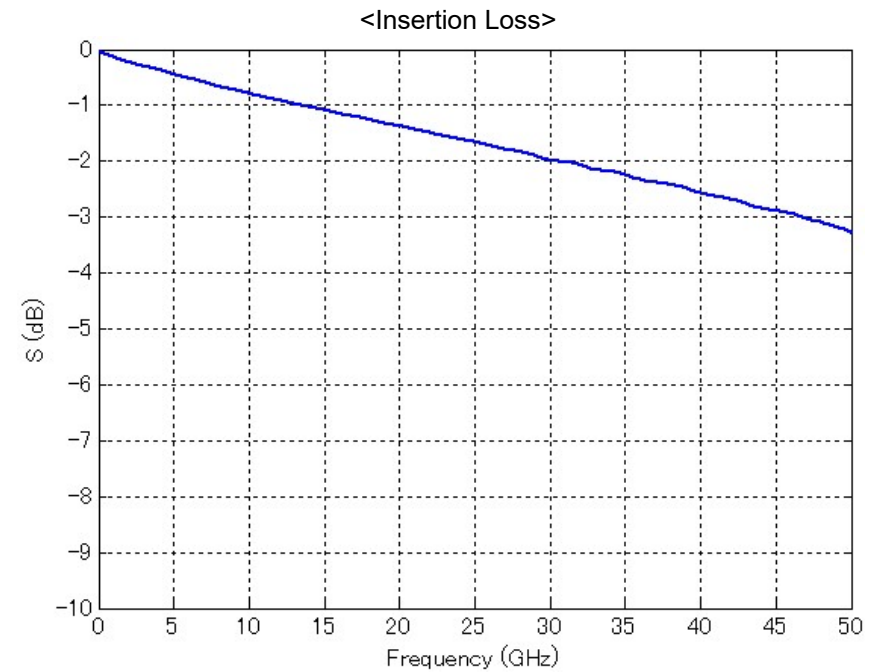
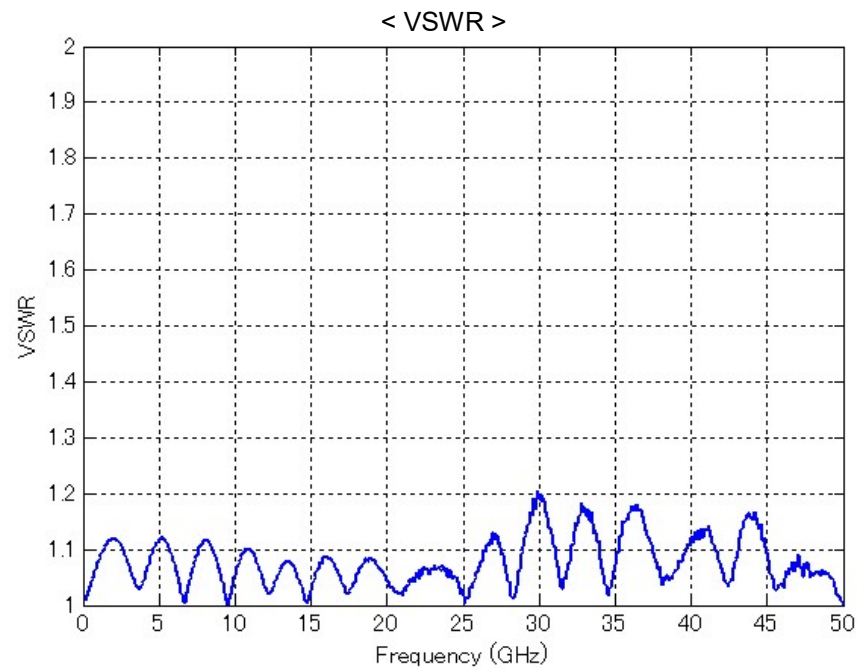


※ Please contact us for detail PCB design.
We can provide PCB design notes and HFSS encrypted model.

Measurement results



Measurement results



Comparisons

Hirose 2.4mm
H2.4-R-SR2-1



Measurement results

