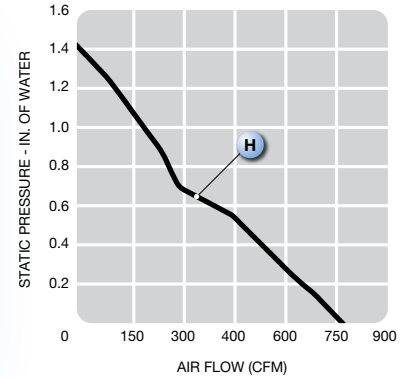
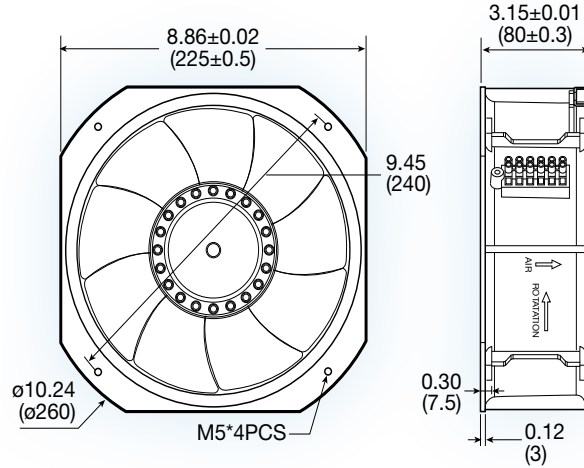


MM22580H series*



(225 x 225 x 80 mm)
8.86 x 8.86 x 3.15 inches

Construction:	magnesium alloy impeller & frame
Bearing option:	ball bearing
Connection:	terminal
Frame:	flanged
Protection:	thermal
Options:	tachometer output or locked rotor alarm signal

Model No.	Rated Voltage V	Current mA		Speed RPM	Air Volume		Max. Static Pressure (H ₂ O)		Sound Noise dbA	Weight kg
		24	48		M ³ /Min.	CFM	MM	INCH		
MM22580H	24/48	4200	2100	3,600	21	755	35.56	1.4	65	1.60

*Not to be used for new designs

