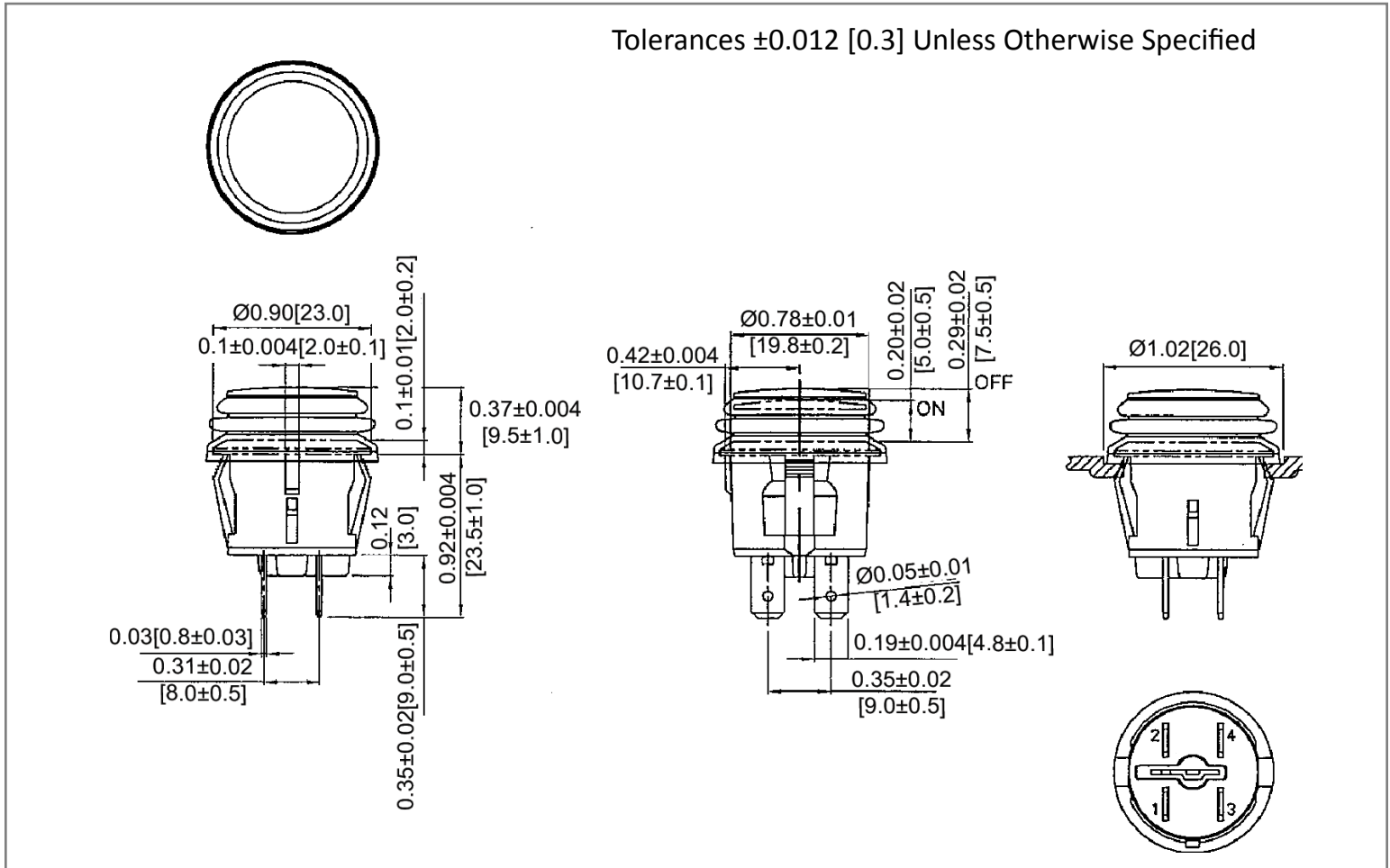
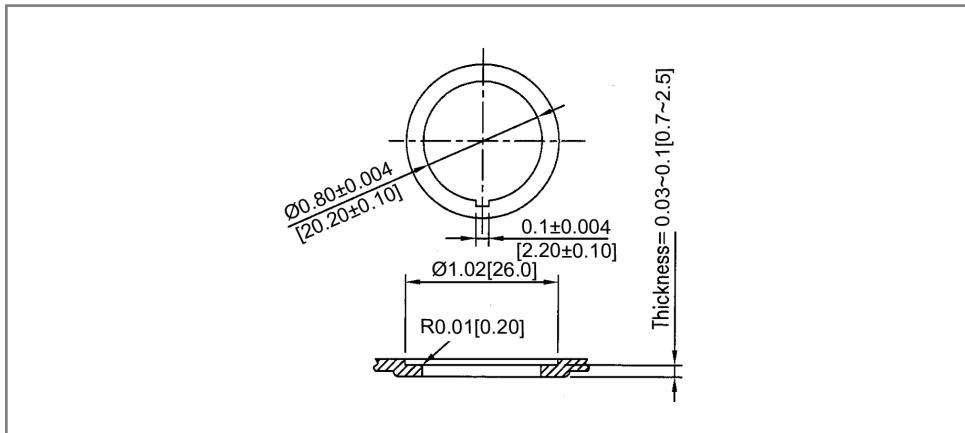


## Mechanical Dimensions: Inches [mm]

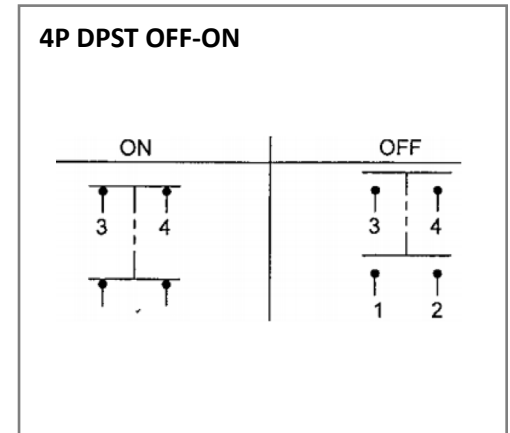
Tolerances  $\pm 0.012$  [0.3] Unless Otherwise Specified



## Mounting Hole



## Circuit Diagram



## Electrical Specifications

|                       |                        |
|-----------------------|------------------------|
| Rating                | 20A 14V DC, 10A 28V DC |
| Contact Resistance    | 50m ohm Max.           |
| Insulation Resistance | DC 500V 100M ohm Min   |
| Dielectric Strength   | AC 1500V 1 minute      |
| Operation Temperature | -20°C ~ 85°C           |

## Material Specifications

|                   |                             |
|-------------------|-----------------------------|
| Frame             | Black, Nylon 66 (94-V2)     |
| Actuator          | Black, PC (94-V2)           |
| Terminals         | Silver Plated, Copper Alloy |
| Waterproof Rubber | Black, Silicone             |
| Waterproof        | IP65                        |

**Rev      Date of issue      Revision Notes**

**Designed      Approved**

|   |            |                 |    |    |
|---|------------|-----------------|----|----|
| A | 05-18-2021 | Initial Drawing | RC | OF |
|---|------------|-----------------|----|----|