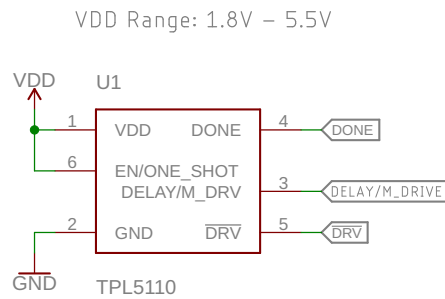
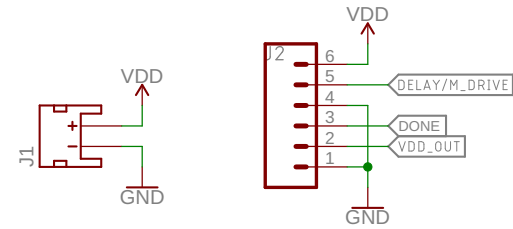


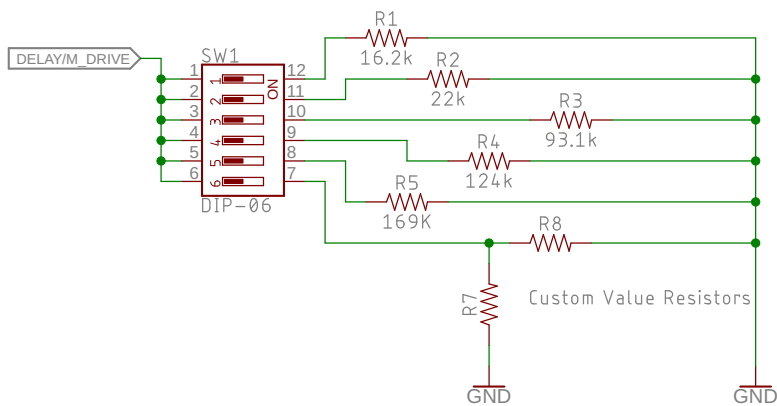
# TPL5110



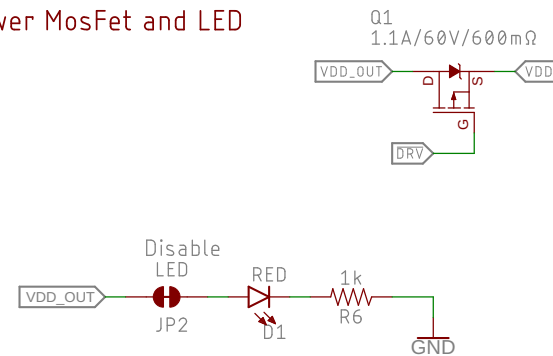
# Header and Lipo



# Delay Selection Switch



# Power MosFet and LED



# Switch



Released under the Creative Commons Attribution Share-Alike 4.0 License  
<https://creativecommons.org/licenses/by-sa/4.0/>



TITLE: SparkFun\_TPL5110\_Nano\_Power\_Switch

Design by:  
Elias Santistevan

REV:  
v10

Date: 5/16/2019 9:42 AM

Sheet: 1/1