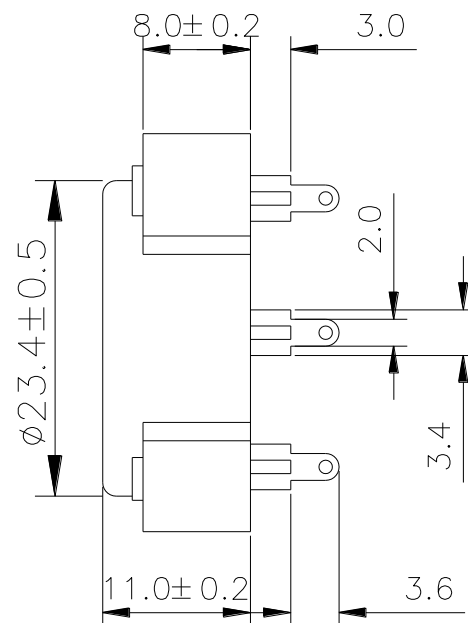
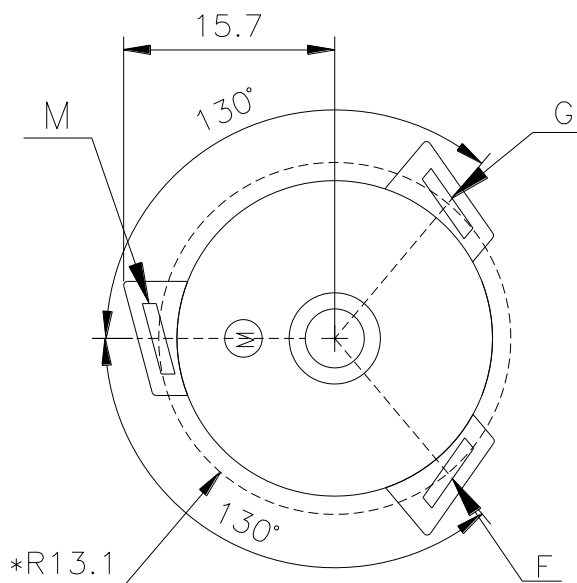


**May not be suitable for all medical and aerospace applications.**

**Specifications: Contact Mallory Sonalert to discuss your application.**

|                                  |  |
|----------------------------------|--|
| Resonant Frequency (Hz)          | 3000 ± 500   |
| Operating Voltage (Vp-p)         | 3 ~ 28   |
| Rated Voltage (Vp-p)             | 12   |
| Current Consumption (mA/max)     | 10 at Rated Voltage  |
| Sound Pressure Level (dB/min)    | 86 at 30cm at Rated voltage  |
| Operating Temperature (°C)       | -20 ~ +90  |
| Storage Temperature (°C)         | -30 ~ +100   |
| Housing                          | ABS777D UL94HB plastic resin<br>(Color: Black)                           |
| Lead Pins                        | Tin Plated Brass M = Main (Ceramic);<br>F = Feedback; G = Ground (Metal) |
| Weight (Grams)                   | 2.8  |
| Condition by wave soldering (°C) | 260 ±5 / within 5 sec  |
| Condition by hand soldering (°C) | 350 ±20 / within 5 sec   |
| Options                          | For other options contact factory  |

**NO CIRCUITRY****Dimensions:** (units: mm)**ROHS Compliant**

\*R13.1 Mark is the radius of the pin locations from the center of the body