

## Evaluation boards with STM32H743XI and STM32H753XI MCUs

### Introduction

The STM32H743I-EVAL and STM32H753I-EVAL Evaluation boards (STM32H7x3I-EVAL) are high-end development platforms for the Arm® Cortex®-M7-based STM32H743XI and STM32H753XI microcontrollers (STM32H7x3XI), respectively. The STM32H7x3I-EVAL Evaluation boards provide access to all the STM32 peripherals for user applications, and include an embedded ST-LINK debugger/programmer.

The full range of the STM32H7x3I-EVAL hardware features helps to develop applications and evaluate all peripherals: USB OTG\_HS and FS, Ethernet, FDCAN, USART, Audio DAC and ADC, digital microphone, SRAM, SDRAM, NOR Flash memory, Twin Quad-SPI Flash memory, microSD™ 3.0 card, 5.7" 640×480 TFT color LCD with touchscreen, and cryptographic hardware accelerator (available only on STM32H753XI devices) .

The expansion connectors provide an easy way to add specialized features, while ETM trace is supported through external probes.

**Figure 1. STM32H7x3I-EVAL board (top view)**



**Figure 2. STM32H7x3I-EVAL2 board (top view)**



*Pictures are not contractual.*

## 1 Features

- Common features
  - STM32H743XIH6 and STM32H753XIH6 Arm® Cortex® microcontrollers with 2 Mbytes of Flash memory and 1 Mbyte of RAM in TFBGA240+25 package
  - 5.7" 640×480 TFT color LCD with touchscreen
  - Ethernet compliant with IEEE-802.3-2002
  - USB OTG\_HS and OTG\_FS
  - I<sup>2</sup>C compatible serial interface
  - RTC with rechargeable backup battery
  - SAI audio DAC
  - ST-MEMS digital microphones
  - 8-Gbyte (or more) SDIO3.0 interface microSD™ card
  - 8 M×32bit SDRAM, 1 M×16bit SRAM and 8 M×16bit NOR Flash memory
  - 1-Gbit Twin Quad-SPI NOR Flash memory or two 512-Mbit Quad-SPI NOR Flash memories
  - Potentiometer
  - 4 color user LEDs
  - Reset, wakeup, tamper or key buttons
  - Joystick with 4-direction control and selector
  - Board connectors:
    - Power jack
    - 3 USB interfaces with Micro-AB connector
    - RS-232 communications
    - Ethernet RJ45
    - FDCAN compliant connection
    - Stereo headset jack including analog microphone input
    - 2 audio jacks for external speakers
    - microSD™ card
    - JTAG/SWD and ETM trace
    - Extension connectors and memory connectors for daughterboard or wire-wrap board
  - Flexible power-supply options: ST-LINK, USB V<sub>BUS</sub> or external sources
  - On-board ST-LINK debugger/programmer with USB re-enumeration capability: mass storage, Virtual COM port, and debug port
  - Comprehensive free software libraries and examples available with the STM32Cube MCU Package
  - Support of a wide choice of Integrated Development Environments (IDEs) including IAR™, Keil®, and STM32CubeIDE
- Board-specific feature
  - ST-LINK/V2-1 or STLINK-V3E version of the ST-LINK

*Note:* Arm is a registered trademark of Arm Limited (or its subsidiaries) in the US and/or elsewhere.

## 2 Ordering information

To order [STM32H743I-EVAL](#) and [STM32H753I-EVAL](#) refer to [Table 1](#). Additional information is available from the datasheet and reference manual of the target STM32.

**Table 1. Ordering information**

Order code	Board reference	Target STM32	Differentiating features
<a href="#">STM32H743I-EVAL</a>	<ul style="list-style-type: none"> <li>• MB1246 RevB</li> <li>• MB1063<sup>(1)</sup></li> </ul>	<a href="#">STM32H743XIH6U</a>	<ul style="list-style-type: none"> <li>• ST-LINK/V2-1</li> </ul>
<a href="#">STM32H753I-EVAL</a>		<a href="#">STM32H753XIH6U</a>	<ul style="list-style-type: none"> <li>• ST-LINK/V2-1</li> <li>• Cryptography</li> </ul>
<a href="#">STM32H743I-EVAL2</a>	<ul style="list-style-type: none"> <li>• MB1246 RevE</li> <li>• MB1063<sup>(1)</sup></li> </ul>	<a href="#">STM32H743XIH6U</a>	<ul style="list-style-type: none"> <li>• STLINK-V3E</li> </ul>
<a href="#">STM32H753I-EVAL2</a>		<a href="#">STM32H753XIH6U</a>	<ul style="list-style-type: none"> <li>• STLINK-V3E</li> <li>• Cryptography</li> </ul>

1. LCD board.

### 2.1 Product marking

Evaluation tools marked as “ES” or “E” are not yet qualified and therefore not ready to be used as reference design or in production. Any consequences deriving from such usage will not be at ST charge. In no event, ST will be liable for any customer usage of these engineering sample tools as reference designs or in production.

“E” or “ES” marking examples of location:

- On the targeted STM32 that is soldered on the board (For an illustration of STM32 marking, refer to the STM32 datasheet “Package information” paragraph at the [www.st.com](http://www.st.com) website).
- Next to the evaluation tool ordering part number that is stuck or silk-screen printed on the board.

Some boards feature a specific STM32 device version, which allows the operation of any bundled commercial stack/library available. This STM32 device shows a “U” marking option at the end of the standard part number and is not available for sales.

In order to use the same commercial stack in his application, a developer may need to purchase a part number specific to this stack/library. The price of those part numbers includes the stack/library royalties.

### 2.2 Codification

The meaning of the codification is explained in [Table 2](#). The order code is mentioned on a sticker placed on the top or bottom side of the board.

**Table 2. Codification explanation**

STM32H7X3I-EVAL STM32H7X3I-EVAL2	Description	Example: STM32H753I-EVAL
STM32H7	MCU series in STM32 32-bit Arm Cortex MCUs	STM32H7 Series
X3	MCU product line in the series	STM32H753
I	STM32 Flash memory size: <ul style="list-style-type: none"> <li>• I for 2 Mbytes</li> </ul>	2 Mbytes
EVAL / EVAL2	ST-LINK version: <ul style="list-style-type: none"> <li>• EVAL for the MB1246 RevB board with ST-LINK/V2-1</li> <li>• EVAL2 for the MB1246 RevE board with STLINK-V3E</li> </ul>	MB1246 RevB board with ST-LINK/V2-1

## 3 Development environment

---

### 3.1 System requirements

- Windows® OS (7, 8 and 10), Linux® 64-bit, or macOS®
- USB Type-A to Micro-B cable

*Note:* macOS® is a trademark of Apple Inc. registered in the U.S. and other countries. All other trademarks are the property of their respective owners.

### 3.2 Development toolchains

- IAR™ - EWARM (see [note](#))
- Keil® - MDK-ARM (see [note](#))
- STMicroelectronics - STM32CubeIDE

*Note:* On Windows® only.

### 3.3 Demonstration software

The demonstration software, included in the STM32Cube MCU Package corresponding to the on-board microcontroller, is preloaded in the STM32 Flash memory for easy demonstration of the device peripherals in standalone mode. The latest versions of the demonstration source code and associated documentation can be downloaded from [www.st.com](http://www.st.com).

## 4 Conventions

Table 3 provides the conventions used for the ON and OFF settings in the present document.

**Table 3. ON/OFF convention**

Convention	Definition
Jumper JPx ON	Jumper fitted
Jumper JPx OFF	Jumper not fitted
Jumper JPx [1-2]	Jumper should be fitted between Pin 1 and Pin 2
Solder bridge SBx ON	SBx connections closed by 0 $\Omega$ resistor
Solder bridge SBx OFF	SBx connections left open
Resistor Rx ON	Resistor soldered
Resistor Rx OFF	Resistor not soldered

---

## 5 Delivery recommendations

---

Some verifications are needed before using the Evaluation board for the first time, to make sure that no damage occurred during shipment and that no components are unplugged or lost.

When the board is extracted from its plastic bag, check that no component remains in the bag. The main component to verify is the microSD™ card that may have been ejected from the connector CN13 (right side of the board). In the latest packing, the microSD™ card is provided separately in the carton box. Install this microSD™ card into CN13 before using the board.

---

**Warning:**

*There is an explosion risk if the battery is replaced by an incorrect one. Make sure to dispose of used batteries according to the instructions.*

---

## 6 Detailed STM32H7x3I-EVAL boards description

---

This section provides a detailed description of the [STM32H743I-EVAL](#) and [STM32H753I-EVAL](#) boards:

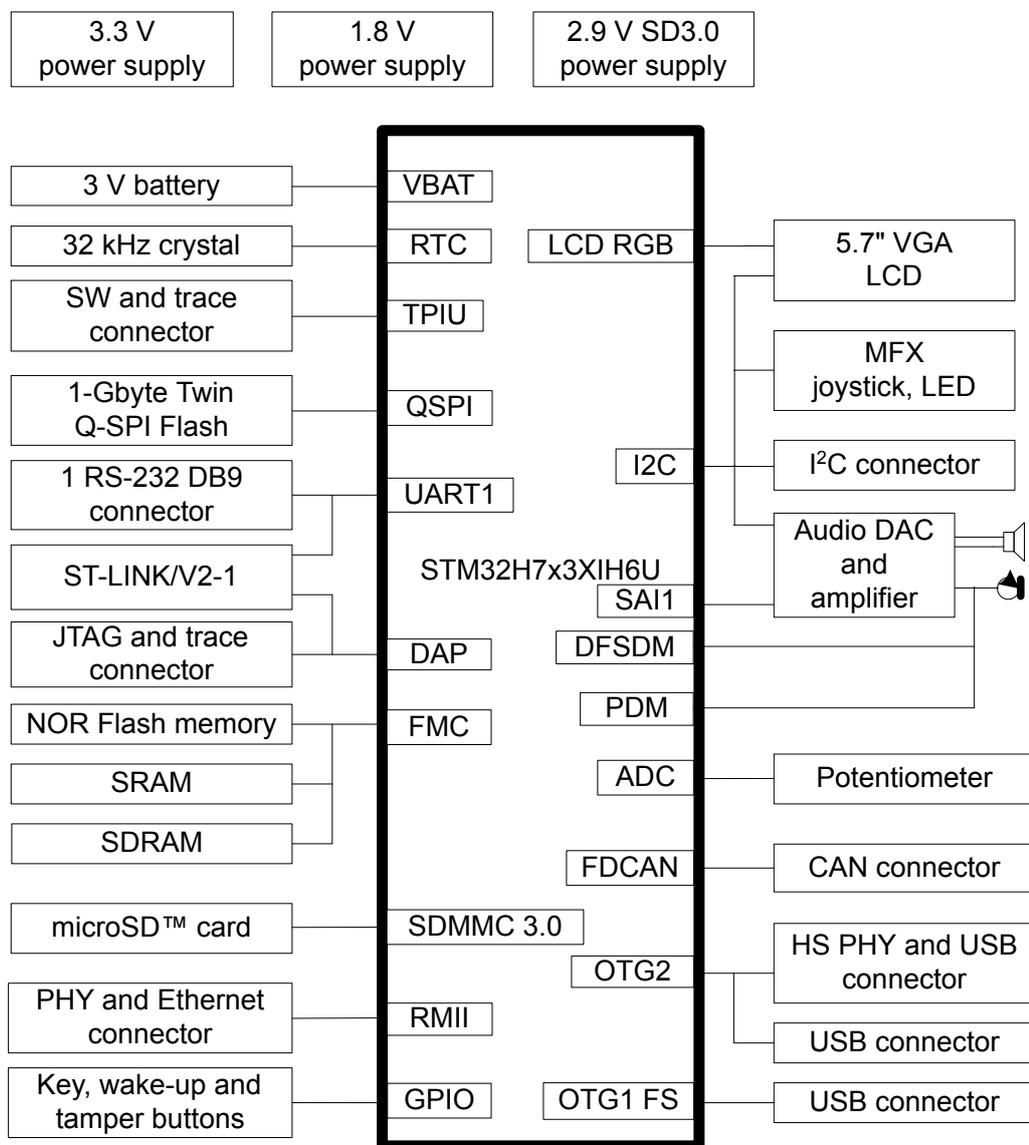
- For STM32H7x3I-EVAL (MB1246 RevB), refer to [Section 6.1 STM32H7x3I-EVAL \(MB1246 RevB\)](#).
- For STM32H7x3I-EVAL2 (MB1246 RevE), refer to [Section 6.2 STM32H7x3I-EVAL \(MB1246 RevE\)](#).

## 6.1 STM32H7x3I-EVAL (MB1246 RevB)

### 6.1.1 STM32H7x3I-EVAL hardware layout and configuration (MB1246 RevB)

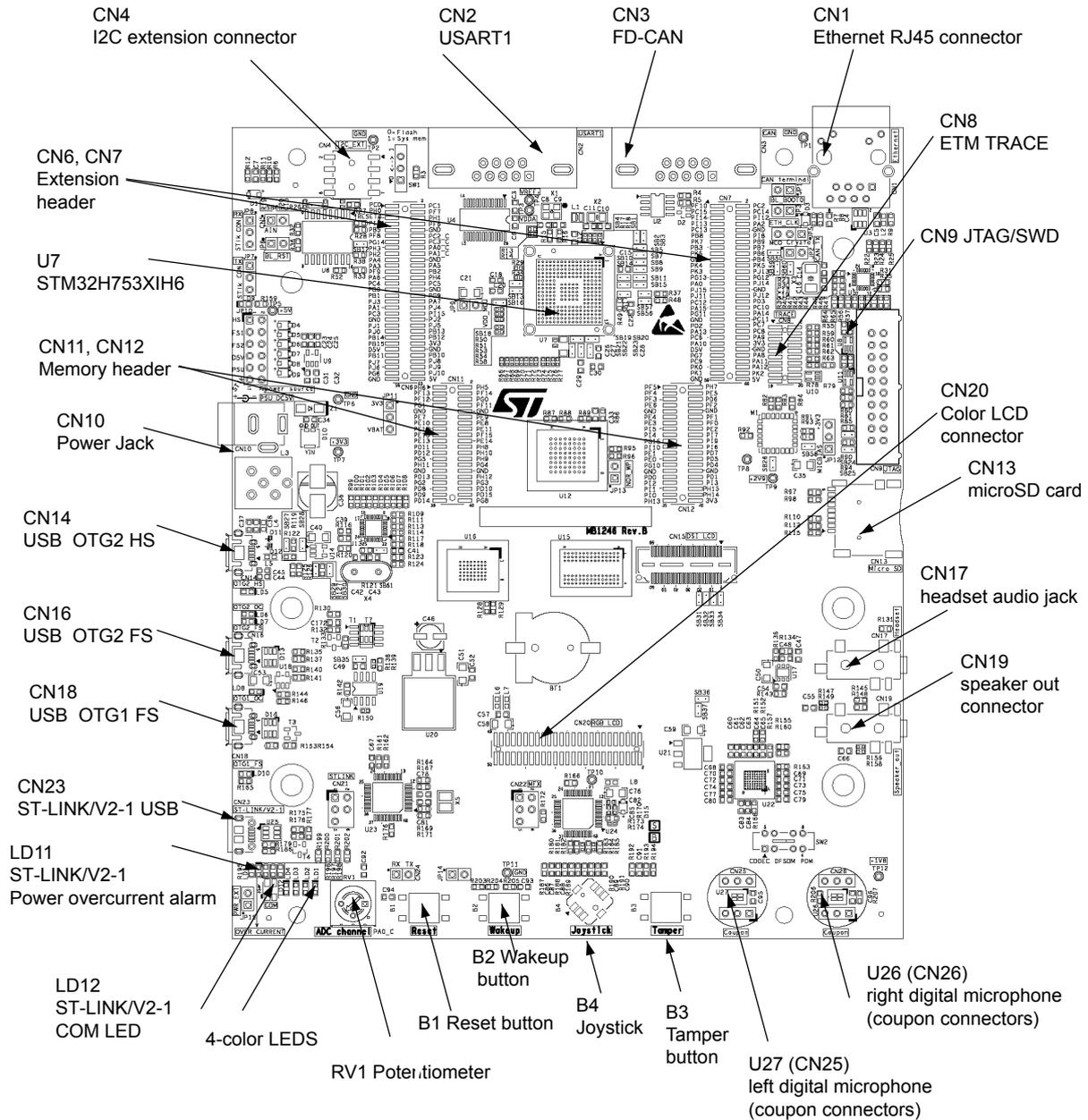
The STM32H7x3I-EVAL Evaluation boards are designed around the STM32H7x3XIH6U (240+25-pin TFBGA package) microcontroller. Figure 3 shows the hardware block diagram for STM32H7x3XIH6U and illustrates the connection between the microcontroller and the peripherals (SDRAM, SRAM, NOR Flash, Twin Quad-SPI Flash, color LCD, USB OTG connectors, USART, Ethernet, Audio, FDCAN, microSD™ 3.0 card and embedded ST-LINK). Figure 4 helps users to locate these features on the Evaluation board. The mechanical dimensions of the board are shown in Figure 5.

Figure 3. Hardware block diagram (RevB)



6.1.1.1 STM32H7x3I-EVAL Evaluation board layout (RevB)

Figure 4. STM32H7x3I-EVAL RevB Evaluation board (top side)



6.1.1.2 STM32H7x3I-EVAL Evaluation board mechanical drawing

Figure 5 and Table 4 show the mechanical dimensions for the MB1246 board with the 5.7" LCD daughterboard.

Figure 5. STM32H7x3I-EVAL Evaluation board mechanical drawing

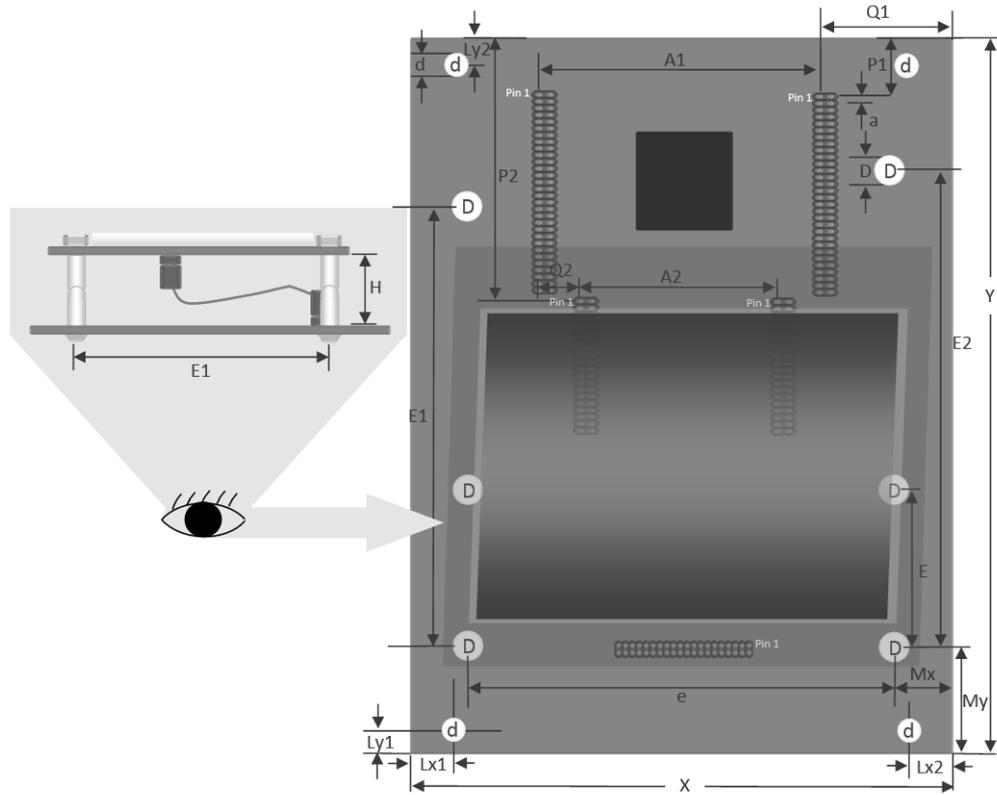


Table 4. Mechanical dimensions

Symbol	Size (mm)	Symbol	Size (mm)	Symbol	Size (mm)
A1	68.58	e	116.5	My	32.7
A2	48.62	H	8	P1	16.76
a	1.27	Lx1	13.7	P2	55.32
D	4.5	Lx2	25	Q1	39.23
d	3.5	Ly1	5	Q2	9.98
E1	107	Ly2	6.4	X	141.60
E2	114.18	Mx	12.5	Y	172.72

### 6.1.1.3 Embedded ST-LINK/V2-1

The ST-LINK/V2-1 programming and debugging tool is integrated on the STM32H7x3I-EVAL Evaluation board. Compared to ST-LINK/V2 the changes are listed below.

The new features supported on ST-LINK/V2-1 are:

- USB software re-enumeration
- Virtual COM port interface on USB
- Mass storage interface on USB
- USB power management request for more than 100 mA power on USB

This feature is no more supported on ST-LINK/V2-1: SWIM interface.

For all general information concerning debugging and programming features common between V2 and V2-1 versions, refer to the *ST-LINK/V2 in-circuit debugger/programmer for STM8 and STM32* user manual (UM1075) at the [www.st.com](http://www.st.com) website.

**Note:** *It is possible to power the Evaluation board through CN23 (Embedded ST-LINK/V2-1 USB connector) even if an external tool is connected to CN8 (ETM Trace connector) or CN9 (External JTAG and SWD connector).*

*ETM can only work at 50 MHz clock by default because ETM signals are shared with other peripherals. If better performance of ETM is required (84 MHz/98 MHz), R217, R230, R231, R234, R236, SB2, SB5, SB8, SB11, SB42, SB57 must be removed to reduce the stub on ETM signals. In this configuration SAI and PDM are not functional and NOR Flash and the address of SRAM are limited on A18.*

*ETM trace function would be abnormal as SAI\_SDB share the same pins with TRACE\_D0, and TRACE\_D0 would be forced high by SAI\_SDB. When using ETM trace it is necessary to set ADCDAT1 pin (SAI\_SDB signal of the STM32) of audio codec WM8994ECS/R (U22) by software to be tri-state.*

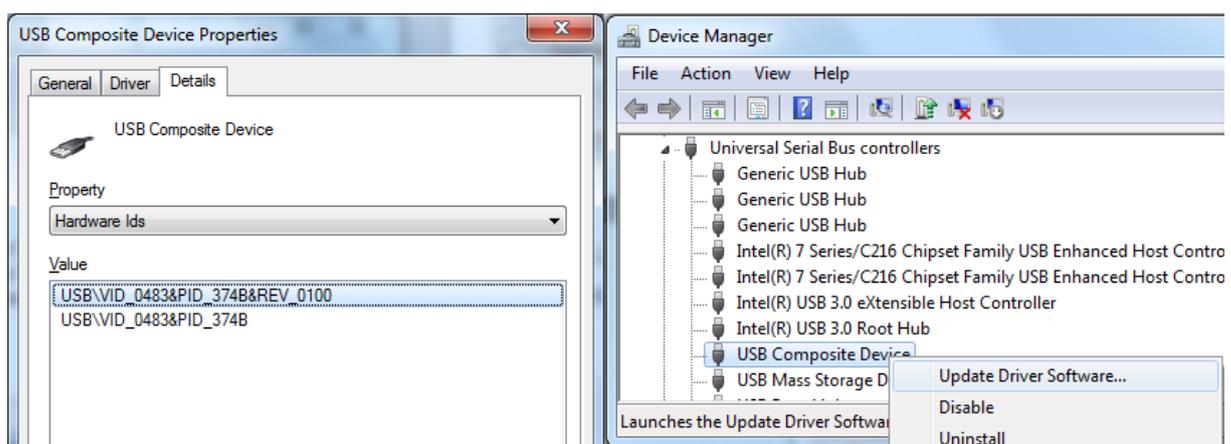
#### 6.1.1.3.1 Drivers

Before connecting the STM32H7x3I-EVAL Evaluation board to a Windows® PC (7, 8 or 10) through a USB connection, a driver for the ST-LINK/V2-1 must be installed. It is available at the [www.st.com](http://www.st.com) website.

In case the STM32H7x3I-EVAL Evaluation board is connected to the PC before the driver is installed, some STM32H7x3I-EVAL interfaces may be declared as "unknown" in the PC device manager. To recover from this situation the user has to install the driver files, and update the driver of the connected device from the device manager (see [Figure 6. USB composite device](#)).

**Note:** *Prefer using the "USB Composite Device" handle for a full recovery.*

**Figure 6. USB composite device**



#### 6.1.1.3.2 ST-LINK/V2-1 firmware upgrade

The ST-LINK/V2-1 embeds a firmware upgrade mechanism for in-situ upgrade through the USB port. As the firmware may evolve during the life time of the ST-LINK/V2-1 product (for example new functionalities, bug fixes, support for new microcontroller families), it is recommended to visit [www.st.com](http://www.st.com) before starting to use the STM32H7x3I-EVAL Evaluation board and periodically, to stay up-to-date with the latest firmware version.

#### 6.1.1.4 Power supply

The STM32H7x3I-EVAL Evaluation board is designed to be powered by 5 V DC power supply and is protected by PolyZen from wrong power plug-in events. It is possible to configure the Evaluation board to use any of the following six sources for the power supply:

- 5 V DC power adapter connected to CN10, the power jack on the board (power supply unit on silk screen of JP10 (PSU)).
- 5 V DC power with 500 mA limitation from CN23, the USB Micro-B connector of ST-LINK/V2-1 (USB 5 V power source on silkscreen of JP10 (STIk)). If the USB enumeration succeeds (as explained below), the ST-LINK U5V power is enabled, by asserting the PWR\_EN pin. This pin is connected to a power switch (ST890) that powers the board. This power switch features also a current limitation to protect the PC in case of short-circuit on the board. If overcurrent (more than 600 mA) happens on the board, the LED LD11 lights up.
- 5 V DC power with 500 mA limitation from CN14, the USB OTG2\_HS Micro-AB connector (USB 5V power source on silkscreen of JP10 (HS)).
- 5 V DC power with 500 mA limitation from CN18, the USB OTG1\_FS Micro-AB connector (USB 5V power source on silkscreen of JP10 (FS1)).
- 5 V DC power with 500 mA limitation from CN16, the USB OTG2\_FS Micro-AB connector (USB 5V power source on silkscreen of JP10 (FS2)).
- 5 V DC power from CN6 and CN7, the extension connectors for daughterboard (daughterboard power source on silkscreen of JP10 (D5V)).

The STM32H7x3I-EVAL Evaluation board can be powered from the ST-LINK/V2-1 USB connector CN23 (U5V), but only the ST-LINK/V2-1 circuit has the power before USB enumeration, because the host PC only provides 100 mA to the board at that time. During the USB enumeration phase the STM32H7x3I-EVAL board requires 300 mA power from the host PC. If the host is able to provide the required power, the enumeration succeeds, the power transistor U19 (ST890) is switched ON, the red LED LD9 is turned ON, and thus the STM32H7x3I-EVAL board is powered and can consume maximum 300 mA current. If the host PC is not able to provide the requested current, the enumeration fails. Therefore the STM32 part including the extension board is not powered. As a consequence the red LED LD9 remains turned OFF. In this case it is mandatory to use an external power supply to supply extra power.

E5V (from PSU) or D5V can be used as an external power supply in case the current consumption of the STM32H7x3I-EVAL board exceeds the allowed current on USB. In this condition it is still possible to use USB for communication, programming or debugging only, but it is mandatory to power the board first using E5V or D5V, and then connecting the USB cable to the PC. Proceeding this way ensures that the enumeration succeeds thanks to the external power source.

The following power sequence procedure must be respected:

1. Connect jumper JP10 for PSU or D5V side
2. Check that JP15 is removed
3. Connect the external power source to PSU or D5V (daughterboard mounted)
4. Check red LED LD9 is turned ON
5. Connect the PC to USB connector CN23

If this order is not respected, the board may be powered by  $V_{BUS}$  first then by E5V or D5V, and the following risks may be encountered:

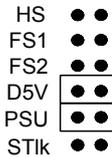
- If more than 300 mA current is needed by the board, the PC may be damaged or current can be limited by PC. As a consequence the board is not powered correctly.
- 300 mA is requested at the enumeration phase (since JP15 must be OFF), so there is risk that the request is rejected and the enumeration does not succeed if PC cannot provide such current. Consequently the board is not powered (LED LD9 remains OFF).

**Note:** *In case the STM32H7x3I-EVAL board is powered by a USB charger, there is no USB enumeration, so the led LD9 remains set to OFF permanently and the board is not powered. Only in this specific case the jumper JP15 needs to be set to ON, to allow the board to be powered anyway.*

The power supply is configured by setting the related jumpers **JP9**, **JP10** and **JP11** as described in [Table 5. Power related jumpers](#).

Table 5. Power related jumpers

Jumper	Description
JP9	<p>JP9 is used to measure STM32 current consumption manually by a multimeter.</p> <p>Default setting: ON</p>
JP10	<p>JP10 is used to select one of the six possible power supply resources.</p> <p>To supply the STM32H7x3I-EVAL board through the USB connector of the ST-LINK/V2-1 (CN23) set JP10 as shown below: (default setting)</p> <p style="text-align: center;">           HS    ● ●            FS1   ● ●            FS2   ● ●            D5V   ● ●            PSU   ● ●            STIk  <span style="border: 1px solid black; padding: 2px;">● ●</span> </p>
	<p>To supply the STM32H7x3I-EVAL board through <b>the jack</b> (CN10), set JP10 as shown below:</p> <p style="text-align: center;">           HS    ● ●            FS1   ● ●            FS2   ● ●            D5V   ● ●            PSU   <span style="border: 1px solid black; padding: 2px;">● ●</span>            STIk  ● ●         </p>
	<p>To supply the STM32H7x3I-EVAL board through the <b>daughterboard connectors</b> (CN6 and CN7), set JP10 as shown below:</p> <p style="text-align: center;">           HS    ● ●            FS1   ● ●            FS2   ● ●            D5V   <span style="border: 1px solid black; padding: 2px;">● ●</span>            PSU   ● ●            STIk  ● ●         </p>
	<p>To supply the STM32H7x3I-EVAL board through the USB OTG2_FS (CN16), set JP10 as shown below:</p> <p style="text-align: center;">           HS    ● ●            FS1   ● ●            FS2   <span style="border: 1px solid black; padding: 2px;">● ●</span>            D5V   ● ●            PSU   ● ●            STIk  ● ●         </p>
	<p>To supply the STM32H7x3I-EVAL board through the USB OTG1_FS (CN18), set JP10 as shown below:</p> <p style="text-align: center;">           HS    ● ●            FS1   <span style="border: 1px solid black; padding: 2px;">● ●</span>            FS2   ● ●            D5V   ● ●            PSU   ● ●            STIk  ● ●         </p>
	<p>To supply the STM32H7x3I-EVAL board through the USB OTG2_HS (CN14), set JP10 as shown below:</p> <p style="text-align: center;">           HS    <span style="border: 1px solid black; padding: 2px;">● ●</span>            FS1   ● ●            FS2   ● ●            D5V   ● ●            PSU   ● ●            STIk  ● ●         </p>

Jumper	Description
JP10	<p>To supply the STM32H7x3I-EVAL board and the daughterboard connected on CN6 and CN7 through the <b>power supply jack</b> (CN10), set JP10 as shown below (<b>daughterboard must not have its power supply connected</b>)</p> 
JP11	<p>V<sub>BAT</sub> is connected to +3.3 V when JP11 is set as shown below: (Default setting)</p> 
	<p>V<sub>BAT</sub> is connected to the battery when JP11 is set as shown below:</p> 

The LED LD9 lights up when the STM32H7x3I-EVAL Evaluation board is powered by the 5 V correctly.

*Note:* To avoid the impact of USB PHY, Ethernet PHY and get precise results about current consumption on JP9, take into account the following cautions:

1. Remove JP5 to avoid Ethernet PHY influence.
2. Configure USB HS PHY into low-power mode (Register Address=04, bit 6 in USB PHY)

### 6.1.1.5 Clock source

Two clock sources (X1 and X2) are available on the STM32H7x3I-EVAL Evaluation board for the STM32H7x3XI, and embedded RTC. Other clock sources (X3 and X4) are used for their peripherals:

- X1, 25 MHz crystal for the STM32H7x3XI, it can be disconnected by removing R15 and R16 when internal RC clock is used
- X2, 32 kHz crystal for embedded RTC
- X3, 25 MHz crystal for Ethernet PHY
- X4, 24 MHz crystal for USB OTG2\_HS PHY

**Table 6. 25 MHz crystal X1 related solder bridges**

Solder bridge	Description
SB39	PH0 is connected to 25 MHz crystal when SB39 is OFF (Default setting).
	PH0 is connected to extension connector CN6 when SB39 is ON. In such case R15 must be removed to avoid disturbance due to the 25 MHz quartz.
SB40	PH1 is connected to 25 MHz crystal when SB40 is OFF (Default setting).
	PH1 is connected to extension connector CN6 when SB40 is ON. In such case R16 must be removed to avoid disturbance due to the 25 MHz quartz.

**Table 7. 32 kHz crystal X2 related solder bridges**

Solder bridge	Description
SB1	PC14 is connected to 32 kHz crystal when SB1 is OFF (Default setting).
	PC14 is connected to extension connector CN7 when SB1 is ON. In such case R18 must be removed to avoid disturbance due to the 32 kHz quartz.
SB4	PC15 is connected to 32 kHz crystal when SB4 is OFF (Default setting).

Solder bridge	Description
SB4	PC15 is connected to extension connector CN7 when SB4 is ON. In such case R17 must be removed to avoid disturbance due to the 32 kHz quartz.

*Note:* For Ethernet clock and jumper JP5 configuration refer to Section Ethernet.

#### 6.1.1.6 **Reset sources**

The reset signal of STM32H7x3I-EVAL Evaluation board is active low and the reset sources include:

- Reset button B1
- Debugging tools from JTAG/SWD connector CN9 and ETM trace connector CN8
- Daughterboard from CN6
- Embedded ST-LINK/V2-1
- RS-232 connector CN2 for ISP.

*Note:* The jumper JP6 must be ON for RESET handled by pin 8 of RS-232 connector CN2 (CTS signal).

#### 6.1.1.7 **Boot option**

The STM32H7x3I-EVAL Evaluation board can boot from:

- Embedded user Flash
- System memory with boot loader for ISP
- Embedded SRAM for debugging

The boot option is configured by setting the switch SW1 (BOOT) and the boot base address programmed in the BOOT\_ADD0 and BOOT\_ADD1 Option Bytes. The BOOT can be also configured through the RS-232 connector CN2.

**Table 8. Boot selection switch**

Switch configuration	Boot address option bytes	Boot space
(Default setting)  SW1	BOOT_ADD0 [15:0]	CPU boot address defined by user Option Byte BOOT_ADD0[15:0] ST programmed value: Flash at 0x0800 0000.
 SW1	BOOT_ADD1 [15:0]	CPU boot address defined by user Option Byte BOOT_ADD1[15:0] ST programmed value: System bootloader at 0x0000 0000.

**Table 9. Boot related jumpers**

Jumper	Description
JP3	The Bootloader_BOOT0 is managed by pin 6 of connector CN2 (RS-232 DSR signal) when JP3 is ON. This configuration is used for bootloader application only. Default Setting: OFF

#### 6.1.1.8 **Audio**

An audio codec WM8994ECS/R with 4 DACs and 2 ADCs inside is connected to the SAI interface of the STM32H7x3XI microcontroller to support the TDM feature on SAI port. This feature is able to implement audio recording on digital and analog microphones and audio playback of various audio streams on headphone and lineout at the same time.

It communicates with the STM32H7x3XI through I2C1 bus which is shared with LCD and MFX (Multi Function eXpander).

The analog microphone on the headset is connected to the ADC of the WM8994ECS/R through the audio jack CN17. External speakers can be connected to WM8994ECS/R through the audio jack CN19.

Two digital microphones (ST-MEMS microphones) MP34DT01TR are on the STM32H7x3I-EVAL Evaluation board. They can be connected to either an audio codec DFSDM or to the PDM port of the STM32H7x3XI, by setting the switch SW2 shown in [Table 10. Audio related switch and jumper](#). The coupon connectors CN25 and CN26 can be used to support ST-MEMS microphone STEVAL-MKI129V1 after removing SB54 and SB55 solder bridges.

**Table 10. Audio related switch and jumper**

Switch/ Jumper	Description
SW2	Digital microphone is connected to the audio codec when SW2 is set as shown below (Default setting): 
	Digital microphone is connected to the DFSDM port of STM32H7x3XI when SW2 is set as shown below: 
	Digital microphone is connected to the PDM port of STM32H7x3XI when SW2 is set as shown below: 
JP12	Digital microphone power source is connected to +3.3 V power when JP12 is set as shown below (Default setting): 
	Digital microphone power source is connected to MICBIAS1 from WM8994ECS/R when JP12 is set as shown below: 

**Note:** *I<sup>2</sup>C address of WM8994ECS/R is 0b0011010.*

*PDM clock is on PE2 and it conflicts with SAI\_CLK on PE2 by default. When PDM and SAI functions are used at the same time, SB57 must be OFF and SB56 must be ON to move SAI\_CLK to PG7.*

### 6.1.1.9 USB OTG1\_FS

The STM32H7x3I-EVAL Evaluation board supports USB OTG1 full-speed communication through a USB Micro-AB connector (CN18) and USB power switch (U18) connected to V<sub>BUS</sub>. The Evaluation board can be powered by this USB connection at 5 V DC at a current up to 500 mA.

A green LED (LD10) lights up if either one of the following events occurs:

- Power switch (U18) is ON and the STM32H7x3I-EVAL board works as a USB host.
- V<sub>BUS</sub> is powered by another USB host when the STM32H7x3I-EVAL board works as a USB device.

The red LED (LD8) lights up when an overcurrent occurs (I<sub>VBUS</sub> > 500 mA).

**Note:** *The STM32H7x3I-EVAL board must be powered by an external power supply when using the OTG function.*

**Note:** *JP2 and SB50 must be removed when using USB OTG\_FS as mentioned in [Table 13. CAN related jumpers and solder bridges](#).*

### 6.1.1.10 USB OTG2\_HS and FS

The STM32H7x3I-EVAL Evaluation board supports USB OTG2:

- High-speed communication through a USB Micro-AB connector (CN14), USB high-speed PHY (U13) for high-speed function
- Full-speed communication through another USB Micro-AB connector (CN16)

The Evaluation board can be powered by these USB connectors (CN14 or CN16) at 5 V DC with 500 mA current limitation.

As several OTG2\_FS signals are shared with the OTG2\_HS ULPI bus and USART1, some PCB reworks are needed when using OTG2\_FS (CN16) as shown in Table 11. USB OTG2 and USART1 function configuration.

**Table 11. USB OTG2 and USART1 function configuration**

Function	Mount	Remove
OTG2_HS-CN14 (Default)	R104,R105,SB27,SB30	R254,SB48,SB28,SB29
OTG2_FS-CN16	R254,SB48,SB28,SB29 SB47,SB49	R104,R105,SB27,SB30, SB46,SB51
USART1 (Default)	SB46,SB51	SB47,SB49

A USB power switch (U14) is also connected on  $V_{BUS}$  and provides power to either CN14 (with SB27 and SB30 ON and SB28 and SB29 OFF) or CN16 (with SB28 and SB29 ON and SB27 and SB30 OFF).

Green LED LD5 (for CN14) or LD7 (for CN16) lights up in one of these cases:

- Power switch (U14) is ON and the STM32H7x3I-EVAL board works as a USB host.
- $V_{BUS}$  is powered by another USB host when the STM32H7x3I-EVAL board works as a USB device.

The red LED LD6 lights up when an overcurrent occurs ( $I_{V_{BUS}} > 500$  mA).

*Note:* The STM32H7x3I-EVAL board must be powered by an external power supply when using the OTG function.

### 6.1.1.11 RS-232

Communication through RS-232 is supported by the D-type, 9-pin connector CN2, which is connected to the USART1 of the STM32H7x3I on the STM32H7x3I-EVAL Evaluation board. The signals Bootloader\_RESET and Bootloader\_BOOT0 are added on the RS-232 connector CN2 for ISP support.

The USART1 of the STM32H7x3I is shared with the RS-232 of the ST-LINK/V2-1 controller. Connection is switched by setting JP7 and JP8.

**Table 12. USART1 related jumpers**

Jumper	Description
JP7	USART1_TX is connected to RS-232 when JP7 is set as shown below (Default setting): 
	USART1_TX is connected to the USART_RX of the ST-LINK/V2-1 controller when JP7 is set as shown below: 
JP8	USART1_RX is connected to RS-232 when JP8 is set as shown below (Default setting): 
	USART1_RX is connected to the USART_TX of the ST-LINK/V2-1 controller when JP8 is set as shown below: 

**6.1.1.12**    **microSD™ card**

The 8-Gbyte (or more) microSD™ card connected to the SDIO 3.0 port of the STM32H7x3XI microcontroller is available on the Evaluation board. The detection of the microSD™ card is managed by MFX GPIO15.

IP4856CX25/C (M1) is an SD 3.0-compliant, 6-bit-bidirectional, dual-voltage-level translator. It is implemented on the STM32H7x3I-EVAL board and it supports SD 3.0, SDR104, SDR50, DDR50, SDR25, SDR12 and SD 2.0 in high-speed (50 MHz) and default-speed (25 MHz) modes.

**6.1.1.13**    **External I<sup>2</sup>C connector**

The I2C1 bus of the STM32H7x3XI is connected to CN4 on the STM32H7x3I-EVAL. The I<sup>2</sup>C functional daughterboard can be mounted on the CN4 connector and accessed by the microcontroller through the I2C1 bus.

**6.1.1.14**    **FDCAN**

The STM32H7x3I-EVAL Evaluation board supports one channel of the Flexible Data Rate CAN (FDCAN) communication bus, based on the 3.3 V CAN transceiver.

The standby signal on the FDCAN transceiver is controlled by PD3 of the STM32H7x3XI. Other FDCAN signals are shared with USB OTG1 FS signals.

**Table 13. CAN related jumpers and solder bridges**

Jumper	Description
JP1	CAN terminal resistor is enabled when JP1 is ON. Default setting: OFF
JP2	PA12 is connected with FDCAN TX signal when JP2 is ON. Default setting: OFF
SB50	PA11 is connected with FDCAN RX signal when SB50 is ON. Default setting: OFF

**6.1.1.15**    **Ethernet**

The STM32H7x3I-EVAL Evaluation board supports 10M/100M Ethernet communication by a PHY LAN8742A (U5) and integrated RJ45 connector (CN1). Ethernet PHY is connected to STM32H7x3XI through the RMII interface.

A 50 M reference clock can be generated by PHY with 25 MHz crystal or with 25 M MCO from STM32H7x3XI. These two resources can be selected by setting jumper JP5 as shown in [Table 14. Ethernet related jumpers](#).

**Table 14. Ethernet related jumpers**

Jumper	Description
JP5	50 M RMII reference clock is generated by an external crystal X3 when JP5 is set as shown below: (Default setting)
	<div style="display: flex; justify-content: center; gap: 5px;"> <span>1</span> <span>2</span> <span>3</span> </div>
	50 M RMII reference clock is generated by MCO at PA8 when JP5 is set as shown below:
	<div style="display: flex; justify-content: center; gap: 5px;"> <span>1</span> <span>2</span> <span>3</span> </div>

**6.1.1.16**    **Memories**

An 8M×32-bit SDRAM is connected to the SDRAM bank1 of the FMC interface of the STM32H7x3XI microcontroller.

A 1M×16-bit SRAM is connected to the NOR/PSRAM2 bank1 of the FMC interface and both 8-bit and 16-bit accesses are allowed by BLN0 and BLN1, connected to BLE and BHE of SRAM respectively.

UM2198 - Rev 4

page 18/118

A 128-Mbit NOR Flash is connected to the NOR/PSRAM1 bank1 of the FMC interface. The 16-bit operation mode is selected by pull-up resistor connected to the BYTE pin of NOR Flash memory. The write protection can be enabled or disabled, depending on how the jumper JP13 is set, as showed in [Table 15. NOR Flash related jumpers](#).

**Table 15. NOR Flash related jumpers**

Jumper	Description
JP13	Write protection is enabled when JP13 is ON while write protection is disabled when JP13 is OFF. Default Setting: OFF

All signals for memory are also connected on memory connectors CN11 and CN12 for memory daughterboards. Limitations can happen when using other peripherals:

1. FMC addressing limitation depending on number of trace data bus used (A18 max for 4 bit ETM to A21 max for 1 bit ETM)
2. FMC addresses limited to A18 when SAI used
3. FMC addresses limited to A22 when PDM is used

In such cases, serial resistors R236 (A19), R231 (A20), R217 (A21) and R230 (A22) should be removed. Thus memory addresses A19 to A22 are not connected to FMC and they are pulled down on the board. Memories can be addressed within a limited address range.

By default, all these serial resistors are soldered on the board. If A19 is required, it is necessary to configure (SAI\_SDB) ADCDAT1 pin of audio codec WM8994ECS/R (U22) by software to be tri-state.

#### 6.1.1.17 **Twin Quad-SPI NOR Flash memory**

The Quad-SPI Flash memory is implemented on the STM32H7x3XI microcontroller of the Evaluation board either as one Twin Quad-SPI NOR Flash memory (1-Gbit (2×512 Mb)) memory or as two Quad-SPI NOR Flash (512 Mb) memories.

The two dies in the Twin Quad-SPI Flash memory share the same clock and chip select signals of the STM32H7x3XI microcontroller.

#### 6.1.1.18 **Analog input**

The two-pin header CN5 and 10 kΩ potentiometer RV1 is connected to PA0\_C of STM32H7x3XI as analog input. A low-pass filter can be implemented by replacing R11 and C7 with the right value of resistor and capacitor as requested by the end-user application.

#### 6.1.1.19 **Display and input devices**

Four general-purpose-color LEDs (LD 1, 2, 3 and 4) are available as display device. LD1 and LD3 are connected on STM32H7x3XI, LD2 and LD4 are connected on MFX.

The 4-direction joystick (B4) with selection, Wakeup (B2) and Tamper/key button (B3) are available as input devices.

5.7" 640x480 TFT color LCD with capacitive touch panel is connected to the RGB LCD interface of the STM32H7x3XI microcontroller.

*Note:* When using a 5.7 inch LCD, the PSU extension power supply is mandatory because of the high current consumption of this type of LCD.

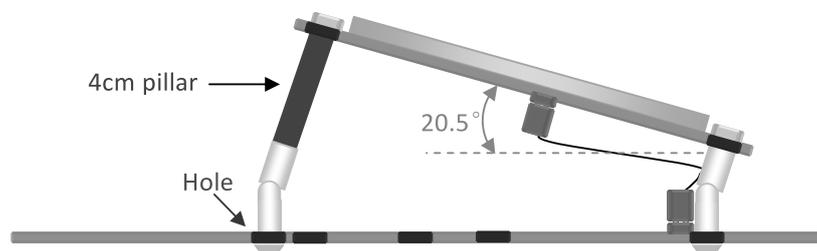
**Table 16. LCD module connector (CN20)**

Pin No.	Description	Pin connection	Pin No.	Description	Pin connection
1	GND	-	2	GND	-
3	R0	PI15	4	G0	PJ7
5	R1	PJ0	6	G1	PJ8
7	R2	PJ1	8	G2	PJ9

Pin No.	Description	Pin connection	Pin No.	Description	Pin connection
9	R3	PJ2	10	G3	PJ10
11	R4	PJ3	12	G4	PJ11
13	R5	PJ4	14	G5	PK0
15	R6	PJ5	16	G6	PK1
17	R7	PJ6	18	G7	PK2
19	GND	-	20	GND	-
21	B0	PJ12	22	ENB	PK7
23	B1	PJ13	24	-	-
25	B2	PJ14	26	HSYNC	PI12
27	B3	PJ15	28	VSYNC	PI13
29	B4	PK3	30	GND	-
31	B5	PK4	32	CLK	PI14
33	B6	PK5	34	GND	-
35	B7	PK6	36	RESET#	-
37	GND	-	38	I2C1_SDA	PB7
39	INT	MFX GPIO14	40	I2C1_SCL	PB6
41	-	-	42	-	-
43	BL_CTRL	PA6	44	-	-
45	5V	-	46	-	-
47	BLGND	-	48	-	-
49	BLGND	-	50	3.3 V	-

The orientation of the 5.7-inch LCD daughterboard can be changed by means of hinged standoffs and pillars. Refer to [Figure 7. Orientation setting of 5.7-inch LCD daughterboard](#) for details.

**Figure 7. Orientation setting of 5.7-inch LCD daughterboard**



#### 6.1.1.20 MFX (multifunction eXpander)

MFX circuit on STM32H7x3I-EVAL Evaluation board acts as IO-expander. The communication interface between MFX and STM32H7x3XI is the I2C1 bus.

The signals connected to MFX are listed in [Table 17. MFX signals](#).

**Table 17. MFX signals**

Pin number of MFX	Pin name of MFX	MFX functions	Function of STM32H7x3I-EVAL	Direction (for MFX)	Terminal device
15	PA5	MFX_GPIO5	Audio_INT	Input	Codec
16	PA6	MFX_GPIO6	OTG_FS1_OverCurrent	Input	USB_FS1
17	PA7	MFX_GPIO7	OTG_FS1_PowerSwitchOn	Output	USB_FS1
18	PB0	MFX_GPIO0	JOY_SEL	Input	Joystick
19	PB1	MFX_GPIO1	JOY_DOWN	Input	Joystick
20	PB2	MFX_GPIO2	JOY_LEFT	Input	Joystick
26	PB13	MFX_GPIO13	SD_LDO_SEL	Output	microSD™
27	PB14	MFX_GPIO14	TOUCH_INT	Input	LCD
28	PB15	MFX_GPIO15	MicroSDcard Detect	Input	microSD™
29	PA8	MFX_GPIO8	OTG_FS2_OverCurrent	Input	USB_FS2
30	PA9	MFX_GPIO9	OTG_FS2_PowerSwitchOn	Output	USB_FS2
31	PA10	MFX_GPIO10	LED2	Output	LED
32	PA11	MFX_GPIO11	LED4	Output	LED
33	PA12	MFX_GPIO12	-	-	-
39	PB3	MFX_GPIO3	JOY_RIGHT	Input	Joystick
40	PB4	MFX_GPIO4	JOY_UP	Input	Joystick

## 6.1.2 STM32H7x3I-EVAL connectors (MB1246 RevB)

### 6.1.2.1 Ethernet RJ45 connector CN1

Figure 8. Ethernet RJ45 connector CN1 (front view)

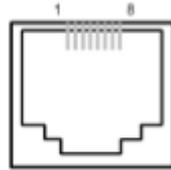


Table 18. RJ45 connector CN1

Pin number	Description	Pin number	Description
1	TxData+	2	TxData-
3	RxData+	4	Shield
5	Shield	6	RxData-
7	Shield	8	Shield

### 6.1.2.2 RS-232 connector CN2

Figure 9. RS-232 connector CN2 (front view)

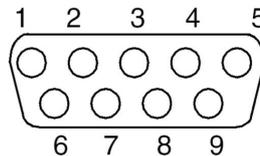


Table 19. RS-232 connector CN2 with ISP support

Pin number	Description	Pin number	Description
1	NC	6	Bootloader_BOOT0
2	RS232_RX (PB15)	7	NC
3	RS232_TX (PB14)	8	Bootloader_RESET
4	NC	9	NC
5	GND	-	-

### 6.1.2.3 CAN D-type, 9-pin male connector CN3

Figure 10. CAN D-type, 9-pin connector CN3 (front view)

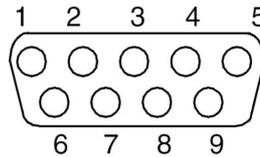


Table 20. CAN D-type 9-pin male connector CN3

Pin number	Description	Pin number	Description
1,4,8,9	NC	7	CANH
2	CANL	3,5,6	GND

### 6.1.2.4 External I<sup>2</sup>C connector CN4

Figure 11. I<sup>2</sup>C EXT connector CN4 (front view)

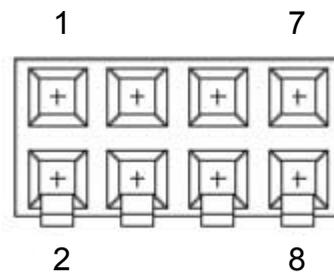


Table 21. I<sup>2</sup>C EXT connector CN4

Pin number	Description	Pin number	Description
1	I2C1_SDA (PB7)	5	+3.3 V
2	NC	6	NC
3	I2C1_SCL (PB6)	7	GND
4	RESET (PA4)	8	NC

### 6.1.2.5 Analog input-output connector CN5

Figure 12. Analog input-output connector CN5 (top view)



**Table 22. Analog input-output connector CN5**

Pin number	Description	Pin number	Description
1	analog input-output (PA0_C)	2	GND

**6.1.2.6 Daughterboard extension connector CN6 and CN7**

Two 60-pin male headers CN6 and CN7 can be used to connect a daughterboard or a standard wrapping board to the STM32H7x3I-EVAL Evaluation board. All GPI/Os are available on CN6 and CN7 and memory connectors on CN11 and CN12.

The space between these two connectors is defined as a standard that allows developing common daughterboards for several ST evaluation boards. The standard width between CN6 pin1 and CN7 pin1 is 2700 mils (68.58 mm).

Each pin on CN6 and CN7 can be used by a daughterboard after disconnecting it from the corresponding function block on STM32H7x3I-EVAL Evaluation board. For details refer to [Table 23. Daughterboard extension connector CN6](#) and [Table 24. Daughterboard extension connector CN7](#).

**Table 23. Daughterboard extension connector CN6**

Pin	Description	Alternative function	How to disconnect with function block on STM32H7x3I-EVAL board
1	PC0	ULPI_STP	Remove R124
3	PH0	OSC_IN	Remove R15, Close SB39
5	RESET#	-	-
7	PI11	ULPI_DIR	Remove R123
9	PB5	ULPI_D7	Remove R101
11	PF8	QSPI_BK1_IO0	Remove R38
13	PG14	QSPI_BK2_IO3	Remove R27
15	PH3	QSPI_BK2_IO1	Remove R28
17	PH2	QSPI_BK2_IO0	Remove R52
19	PA4	EXT_RESET/LED3	Disconnect CN4, Remove R296
21	PA3	ULPI_D0	Remove R114
23	PF9	QSPI_BK1_IO1	Remove R32
25	PA6	GPIO_LCD_BL_CTRL	Disconnect CN15
27	PC4	RMII_RXD0	Remove R41
29	PB0	ULPI_D1	Remove R113
31	PB1	ULPI_D2	Remove R111
33	PJ3	RGB_LCD_R4	Disconnect CN20
35	PA1	RMII_RX_CLK	Remove R31
37	PC3	DFSDM_DATA1	Not to dial SW2 to the middle
39	GND	-	-
41	PJ1	RGB_LCD_R2	Disconnect CN20
43	PJ0	RGB_LCD_R1	Disconnect CN20
45	PB14	USART1_TX/USB_FS2_DM	Open SB46, SB47
47	PB15	USART1_RX/USB_FS2_DP	Open SB49, SB51
49	D5V	-	-
51	PB11	ULPI_D4	Remove R109
53	PJ7	RGB_LCD_G0	Remove R24, Disconnect CN20

Pin	Description	Alternative function	How to disconnect with function block on STM32H7x3I-EVAL board
55	PJ6	RGB_LCD_R7	Disconnect CN20
57	PG6	QSPI_BK1_NCS	Open SB6, Remove R19
59	GND	-	-
2	PC1	RMII_MDC/ PDM1_D1	Open SB38, not to dial SW2 to the right
4	PF7	QSPI_BK1_IO2	Remove R36
6	PH1	OSC_OUT	Remove R16
8	PF6	QSPI_BK1_IO3	Remove R26
10	GND	-	-
12	PC2_C	-	-
14	PC3_C	-	-
16	PA0_C	Potentiometer	Open SB43
18	PA1_C	-	-
20	GND	-	-
22	PA5	ULPI_CK	Remove R118
24	PB2	QSPI_CLK	-
26	PH4	ULPI_NXT	Remove R117
28	PC5	RMII_RXD1	Remove R39
30	GND	-	-
32	PG9	QSPI_BK2_IO2	Remove R33
34	PA7	RMII_CRS_DV	Remove R44
36	PJ4	RGB_LCD_R5	Disconnect CN20
38	PI15	RGB_LCD_R0	Disconnect CN20
40	PJ2	RGB_LCD_R3	Disconnect CN15, CN20
42	PJ5	RGB_LCD_R6	Disconnect CN20
44	PB13	ULPI_D6/USB_FS2_VBUS	Remove R104, R254
46	PB12	ULPI_D5/USB_FS2_ID	Remove R105, Open SB48
48	+3V3	-	-
50	GND	-	-
52	PB10	ULPI_D3	Remove R109
54	PJ8	RGB_LCD_G1	Disconnect CN20
56	PJ9	RGB_LCD_G2	Disconnect CN20
58	PJ10	RGB_LCD_G3	Disconnect CN20
60	+5V	-	-

**Table 24. Daughterboard extension connector CN7**

Pin	Description	Alternative function	How to disconnect with function block on STM32H7x3I-EVAL board
1	PF10	LED1	Remove R286, Disconnect CN15, Remove R294
3	PC15	OSC32_OUT	Remove R17, Close SB4
5	PI14	RGB_LCD_CLK	Disconnect CN20

Pin	Description	Alternative function	How to disconnect with function block on STM32H7x3I-EVAL board
7	PI13	RGB_LCD_VSYNC	Disconnect CN20
9	PC13	KEY_TAMP_1/WKUP2	Remove R193
11	PB8	SDIO_1_CKIN	-
13	PK7	RGB_LCD_DE	Disconnect CN20
15	PB3	JTDO/TRACESWO	Remove R60
17	PK6	RGB_LCD_B7	Remove R199, Disconnect CN20
19	GND	-	-
21	PK4	RGB_LCD_B5	Remove R201, Disconnect CN20
23	PK3	RGB_LCD_B4	Remove R202, Disconnect CN20
25	PG13	RMII_TXD0	-
27	PA0	KEY_WKUP0	Remove R173, R203
29	PJ15	RGB_LCD_B3	Disconnect CN20
31	PJ11	RGB_LCD_G4	Disconnect CN20
33	PC12	SDIO_1_CK	Remove R83
35	PA15	JTDI/CEC	Remove R61, Disconnect CN15
37	PG11	RMII_TX_EN	-
39	GND	-	-
41	PD2	SDIO_1_CMD	-
43	PA13	JTMS-SWDIO	Remove R55
45	PC6	SDIO_1_D0DIR	Remove SB58
47	PA10	USB_FS1_ID	Disconnect CN18
49	D5V	-	-
51	PG7	SAI_1_MCLK_A	Remove SB56
53	PC9	SDIO_1_D1	-
55	PK0	RGB_LCD_G5	Disconnect CN20
57	PK1	RGB_LCD_G6	Disconnect CN20
59	GND	-	-
2	PC2	DFSDM_CKOUT	Not to dial SW2 to the left
4	PC14	OSC32_IN	Remove R18, Close SB1
6	PI12	RGB_LCD_HSYNC	Disconnect CN20
8	PA2	RMII_MDIO	Remove R47
10	GND	-	-
12	PI8	GPIO_EXPANDER_INT	Remove R185
14	PB9	SDIO_1_CDIR	Remove R91
16	PB7	I2C_1_SDA	Remove R160, R181, R209, Disconnect CN4, CN15, CN20
18	PB6	I2C_1_SCL	Remove R155, R180, R212, Disconnect CN4, CN15, CN20
20	PB4	NJTRST	Remove R79
22	PK5	RGB_LCD_B6	Remove R200, Disconnect CN20
24	PJ13	RGB_LCD_B1	Disconnect CN20
26	PG12	RMII_TXD1	-

Pin	Description	Alternative function	How to disconnect with function block on STM32H7x3I-EVAL board
28	PJ14	RGB_LCD_B2	Disconnect CN20
30	GND	-	-
32	PJ12	RGB_LCD_B0	Remove R25, Disconnect CN20
34	PD3	GPIO_CAN_STBY	Remove R4
36	PC10	SDIO_1_D2	-
38	PA14	JTCK-SWCLK	Remove R59
40	PC11	SDIO_1_D3	Open SB45
42	PC7	SDIO_1_D123DIR	Remove R92
44	PC8	SDIO_1_D0	-
46	PA9	USB_FS1_VBUS	Remove R255
48	+3.3V	-	-
50	GND	-	-
52	PA8	MCO1	Disconnect CN15, Keep JP5 OFF
54	PA11	USB_FS1_DM/ FDCAN_1_RXFD	Open SB50, SB59
56	PA12	USB_FS1_DP/ FDCAN_1_TXFD	Keep JP2 on open, Open SB60
58	PK2	RGB_LCD_G7	Disconnect CN20
60	+5V	-	-

### 6.1.2.7 ETM trace debugging connector CN8

Figure 13. ETM trace debugging connector CN8 (top view)

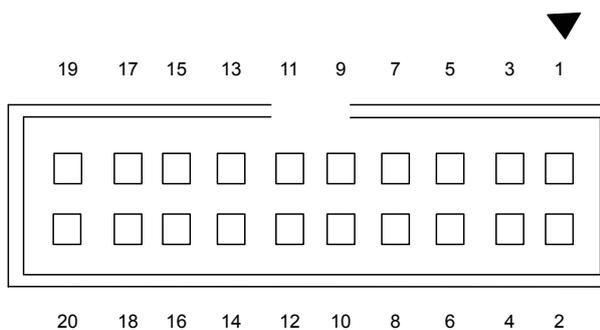


Table 25. ETM trace debugging connector CN8

Pin number	Description	Pin number	Description
1	+3.3V	2	TMS/PA13
3	GND	4	TCK/PA14
5	GND	6	TDO/PB3
7	KEY	8	TDI/PA15
9	GND	10	RESET#
11	GND	12	TraceCLK/PE2

Pin number	Description	Pin number	Description
13	GND	14	TraceD0/PE3 or SWO/PB3
15	GND	16	TraceD1/PE4 or nTRST/PB4
17	GND	18	TraceD2/PE5
19	GND	20	TraceD3/PE6

### 6.1.2.8 JTAG/SWD connector CN9

Figure 14. JTAG/SWD debugging connector CN9 (top view)

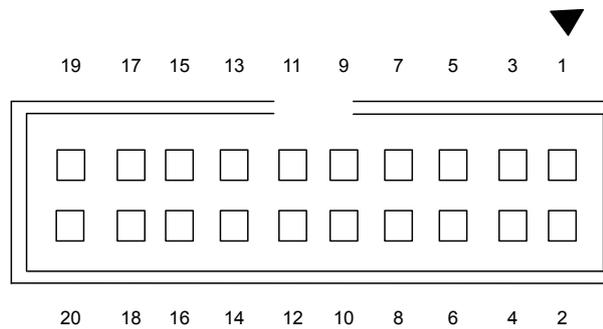


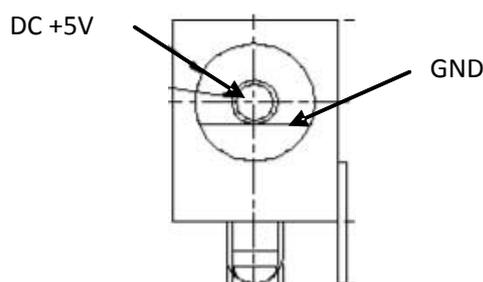
Table 26. JTAG/SWD debugging connector CN9

Pin number	Description	Pin number	Description
1	+3.3V	2	+3.3V
3	TRST(PB4)	4	GND
5	TDI(PA15)	6	GND
7	TMS/SWDIO(PA13)	8	GND
9	TCK/SWCLK(PA14)	10	GND
11	RTCK	12	GND
13	TDO/SWO(PB3)	14	GND
15	RESET#	16	GND
17	DBGREQ(PJ7)	18	GND
19	DBGACK(PJ12)	20	GND

### 6.1.2.9 Power connector CN10

The STM32H7x3I-EVAL Evaluation board can be powered from a DC 5 V power supply through the external power supply jack (CN10) shown in Figure 15. Power supply connector CN10 (front view). The central pin of CN10 must be positive.

**Figure 15. Power supply connector CN10 (front view)**



### 6.1.2.10 Memory connector CN11 and CN12

Two 40-pin male headers CN11 and CN12 are used to connect with memory daughterboard.

All GPIOs are connected on the extension connectors CN6 and CN7, but the GPIOs which are used for FMC memory signals, are connected on CN11 and CN12.

The space between these two connectors is defined as a standard that allows to develop common daughterboard. The standard width between CN11 pin1 and CN12 pin1 is 1914 mils (48.62 mm). For details on signals assignment refer to Table 27. Memory connector CN11 and Table 28. Memory connector CN12.

**Table 27. Memory connector CN11**

Pin	Description	Alternative function	How to disconnect with function block on STM32H7x3I-EVAL board
1	PH6	SDNE1	-
3	PF13	A7	-
5	PF12	A6	-
7	PG1	A11	-
9	GND	-	-
11	PE7	D4	-
13	PE10	D7	-
15	PE12	D9	-
17	PE15	D12	-
19	PE13	D10	-
21	PD11	A16	-
23	PD12	A17	-
25	PG5	A15/BA1	-
27	PH11	D19	-
29	GND	-	-
31	PD13	A18	-
33	PG2	A12	-
35	PD8	D13	-

Pin	Description	Alternative function	How to disconnect with function block on STM32H7x3I-EVAL board
37	PD9	D14	-
39	PD14	D0	-
2	PH5	SDNWE	-
4	PF14	A8	-
6	PG0	A10	-
8	PF11	SDNRAS	-
10	GND	-	-
12	PE9	D6	-
14	PE8	D5	-
16	PE11	D8	-
18	PF15	A9	-
20	PE14	D11	-
22	PH8	D16	-
24	PH10	D18	-
26	PH9	D17	-
28	PG4	A14/BA0	-
30	GND	-	-
32	PH12	D20	-
34	PG3	A13	-
36	PD10	D15	-
38	PD15	D1	-
40	PG8	SDCLK	-

Table 28. Memory connector CN12

Pin	Description	Alternative function	How to disconnect with function block on STM32H7x3I-EVAL board
1	PF5	A5	-
3	PF4	A4	-
5	PF3	A3	-
7	PE6	A22/SAI1_SD_A/TRACED3	Open SB2, SB3
9	GND	-	-
11	PE4	A20/SAI1_FS_A/TRACED1	Open SB5, SB7
13	PE3	A19/SAI1_SD_B/TRACED0	Open SB8, SB9
15	PI5	NBL3	-
17	PI4	NBL2	-
19	PG15	SDNCAS	-
21	PI10	D31	-
23	PE1	NBL1	-
25	PE0	NBL0	-
27	PG10	NE3	-

Pin	Description	Alternative function	How to disconnect with function block on STM32H7x3I-EVAL board
29	GND	-	-
31	PD0	D2	-
33	PI2	D26	-
35	PI1	D25	-
37	PI0	D24	-
39	PH13	D21	-
2	PH7	SDCKE1	-
4	PE5	A21/SAI1_SCK_A/TRACED2	Open SB41, SB42
6	PD6	NWAIT	-
8	PF2	A2	-
10	GND	-	-
12	PF1	A1	-
14	PF0	A0	-
16	PE2	A23/PDM1_CK1/ SAI1_MCLK_A /TRACECLK	Open SB11, SB15, SB57
18	PI7	D29	-
20	PI9	D30	-
22	PI6	D28	-
24	PD7	NE1	-
26	PD5	NWE	-
28	PD4	NOE	-
30	GND	-	-
32	PD1	D3	-
34	PI3	D27	-
36	PH15	D23	-
38	PH14	D22	-
40	+3.3V	-	-

6.1.2.11 microSD™ connector CN13

Figure 16. microSD™ connector (top view)

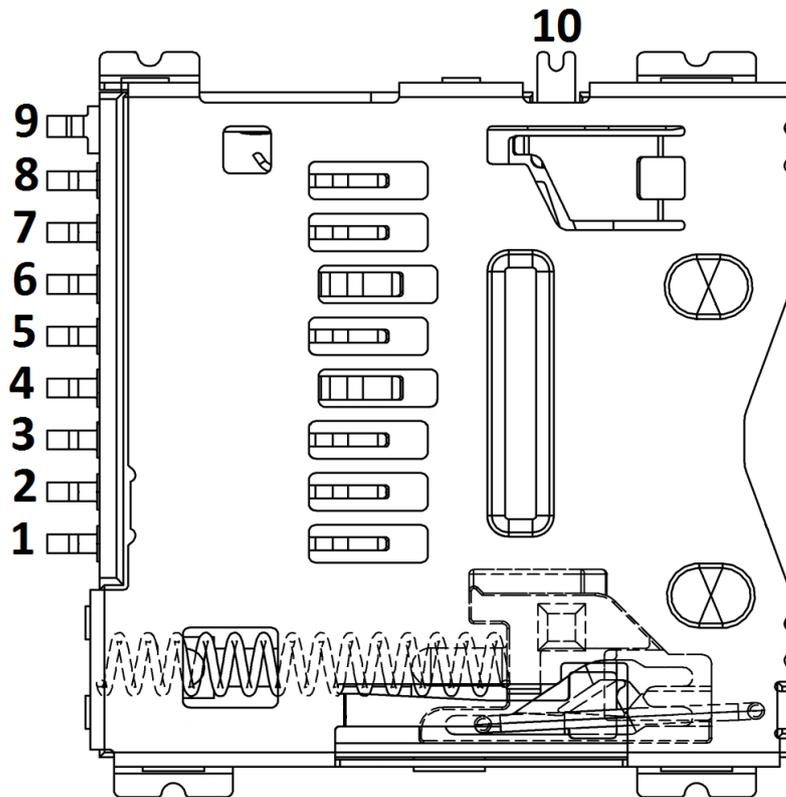
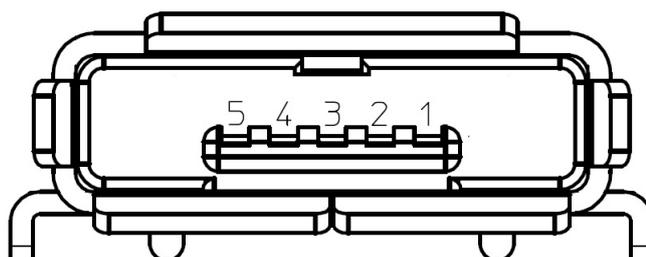


Table 29. microSD™ connector CN13

Pin number	Description	Pin number	Description
1	SD_DATA2	6	Vss/GND
2	SD_DATA3	7	SD_DATA0
3	SD_CMD	8	SD_DATA1
4	+2.9V_SD	9	GND
5	SD_CLK	10	MicroSDcard_detect (MFX GPIO15)

6.1.2.12 USB OTG2\_HS Micro-AB connector CN14

Figure 17. USB OTG2\_HS Micro-AB connector CN14 (front view)

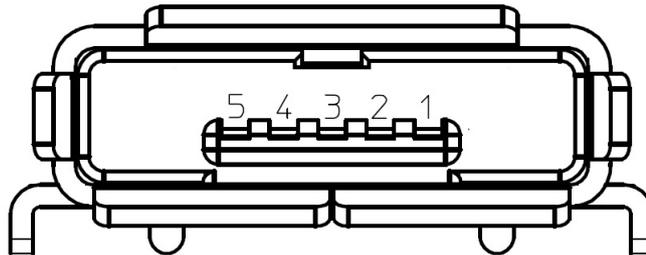


**Table 30. USB OTG2\_HS Micro-AB connector CN14**

Pin number	Description	Pin number	Description
1	V <sub>BUS</sub>	4	ID
2	D-	5	GND
3	D+	-	-

**6.1.2.13 USB OTG2\_FS Micro-AB connector CN16**

**Figure 18. USB OTG2\_FS Micro-AB connector CN16 (front view)**



**Table 31. USB OTG2\_FS Micro-AB connector CN16**

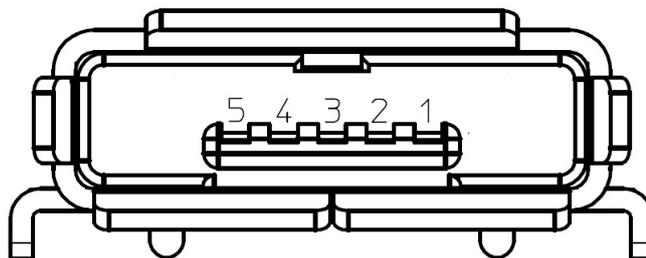
Pin number	Description	Pin number	Description
1	VBUS (PB13)	4	ID (PB12)
2	D- (PB14)	5	GND
3	D+ (PB15)	-	-

**6.1.2.14 Audio jack CN17**

A 3.5 mm stereo audio jack CN17 is available on the STM32H7x3I-EVAL Evaluation board to support headset (headphone and microphone integrated).

**6.1.2.15 USB OTG1\_FS Micro-AB connector CN18**

**Figure 19. USB OTG1\_FS Micro-AB connector CN18 (front view)**



**Table 32. USB OTG1\_FS Micro-AB connector CN18**

Pin number	Description	Pin number	Description
1	V <sub>BUS</sub> (PA9)	4	ID (PA10)
2	D- (PA11)	5	GND
3	D+ (PA12)	-	-

**6.1.2.16 Audio jack (speaker) CN19**

A 3.5 mm stereo audio jack CN19 for speaker out is available on the STM32H7x3I-EVAL Evaluation board to support an external speaker.

**6.1.2.17 TFT LCD connector CN20**

A TFT-color LCD board is mounted on CN20. Refer to Section *Display and input devices* for details.

**6.1.2.18 ST-LINK/V2-1 programming connector CN21**

The connector CN21 is used only for embedded ST-LINK/V2-1 programming during board manufacturing. It is not populated by default and not for end users.

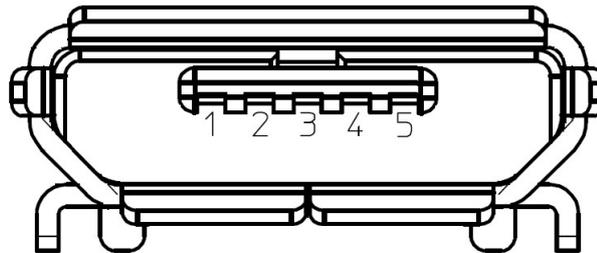
**6.1.2.19 MFX programming connector CN22**

The connector CN22 is used only for MFX (Multifunction eXpander) programming during board manufacturing. It is not populated by default and not for end users.

**6.1.2.20 ST-LINK/V2-1 USB Micro-B connector CN23**

The USB Micro-B connector CN23 is used to connect the embedded ST-LINK/V2-1 to a PC for programming and debugging purposes.

**Figure 20. USB Micro-B connector CN23 (front view)**

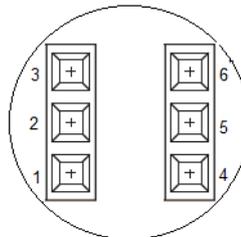


**Table 33. USB Micro-B connector CN23 (front view)**

Pin number	Description	Pin number	Description
1	V <sub>BUS</sub> (power)	4	ID
2	DM	5	GND
3	DP	-	-

**6.1.2.21 MEMS microphone coupon connectors CN25 and CN26**

**Figure 21. MEMS microphone coupon connectors CN25 and CN26 (top view)**



**Table 34. MEMS microphone coupon connectors CN25 and CN26**

Pin number	Description	Pin number	Description
1	DATA	4	V <sub>DD</sub>
2	GND	5	L/R
3	CLK	6	NC

### 6.1.3 STM32H7x3I-EVAL RevB I/O assignment

**Table 35. STM32H7x3I-EVAL RevB I/O assignment**

Pin No.	Pin Name	Default function	Alternative function
N5	PA0-WKUP	KEY_WKUP0	-
N4	PA1	RMII_REF_CLK	-
N3	PA2	RMII_MDIO	-
U2	PA3	ULPI_D0	-
U3	PA4	EXT_RESET/LED3	-
T3	PA5	ULPI_CK	-
R3	PA6	GPIO_LCD_BACKLIGHT_CTRL	-
R5	PA7	RMII_CRS_DV	-
E15	PA8	MCO1	-
D15	PA9	USB_FS1_VBUS	-
D14	PA10	USB_FS1_ID	-
E17	PA11	USB_FS1_DM	FDCAN_1_RXFD
E16	PA12	USB_FS1_DP	FDCAN_1_TXFD
C15	PA13	JTMS-SWDIO	-
B14	PA14	JTCK-SWCLK	-
A14	PA15	JTDI	CEC
U5	PB0	ULPI_D1	-
T5	PB1	ULPI_D2	-
R6	PB2	QSPI_CLK	-
C6	PB3	JTDO/TRACESWO	-
B7	PB4	NJTRST	-
A5	PB5	ULPI_D7	-
B5	PB6	I2C_1_SCL	-
C5	PB7	I2C_1_SDA	-
D5	PB8	SDIO_1_CKIN	-
D4	PB9	SDIO_1_CDIR	-
P11	PB10	ULPI_D3	-
P12	PB11	ULPI_D4	-
T14	PB12	ULPI_D5	USB_FS2_ID
U14	PB13	ULPI_D6	USB_FS2_VBUS
U15	PB14	USART1_TX	USB_FS2_DM

Pin No.	Pin Name	Default function	Alternative function
T15	PB15	USART1_RX	USB_FS2_DP
L2	PC0	ULPI_STP	-
M2	PC1	RMII_MDC	PDM1_D1
M3	PC2	DFSDM_CKOUT	-
M4	PC3	DFSDM_DATA1	-
T4	PC4	RMII_RXD0	-
U4	PC5	RMII_RXD1	-
F14	PC6	SDIO_1_D0DIR	-
F13	PC7	SDIO_1_D123DIR	-
E13	PC8	SDIO_1_D0	-
E14	PC9	SDIO_1_D1	-
A13	PC10	SDIO_1_D2	-
B13	PC11	SDIO_1_D3	-
C12	PC12	SDIO_1_CK	-
E3	PC13-ANTI_TAMP	KEY_TAMP_1/WKUP2	-
C2	PC14-OSC32_IN	OSC32_IN	-
C1	PC15-OSC32_OUT	OSC32_OUT	-
D13	PD0	FMC_D2	-
E12	PD1	FMC_D3	-
D12	PD2	SDIO_1_CMD	-
B12	PD3	GPIO_CAN_STANDBY	-
A12	PD4	FMC_NOE	-
A11	PD5	FMC_NWE	-
B11	PD6	FMC_NWAIT	-
C11	PD7	FMC_NE1	-
U16	PD8	FMC_D13	-
T17	PD9	FMC_D14	-
T16	PD10	FMC_D15	-
R15	PD11	FMC_A16	-
R16	PD12	FMC_A17	-
R17	PD13	FMC_A18	-
P16	PD14	FMC_D0	-
P15	PD15	FMC_D1	-
C4	PE0	FMC_NBL0	-
B4	PE1	FMC_NBL1	-
C3	PE2	PDM1_CK1	FMC_A23/TRACECLK/ SAI_1_MCLK_A
D3	PE3	SAI1_SD_B	FMC_A19/TRACED0
D2	PE4	SAI1_FS_A	FMC_A20/TRACED1
D1	PE5	SAI1_SCK_A	FMC_A21/TRACED2
E5	PE6	SAI1_SD_A	FMC_A22/TRACED3

Pin No.	Pin Name	Default function	Alternative function
U9	PE7	FMC_D4	-
T9	PE8	FMC_D5	-
P9	PE9	FMC_D6	-
N9	PE10	FMC_D7	-
P10	PE11	FMC_D8	-
R10	PE12	FMC_D9	-
T10	PE13	FMC_D10	-
U10	PE14	FMC_D11	-
R11	PE15	FMC_D12	-
G4	PF0	FMC_A0	-
G3	PF1	FMC_A1	-
G1	PF2	FMC_A2	-
H4	PF3	FMC_A3	-
J5	PF4	FMC_A4	-
J4	PF5	FMC_A5	-
K2	PF6	QSPI_BK1_IO3	-
K3	PF7	QSPI_BK1_IO2	-
K4	PF8	QSPI_BK1_IO0	-
L4	PF9	QSPI_BK1_IO1	-
L3	PF10	LED1	-
T7	PF11	SDR_SDNRAS	-
R7	PF12	FMC_A6	-
P7	PF13	FMC_A7	-
P8	PF14	FMC_A8	-
R9	PF15	FMC_A9	-
T8	PG0	FMC_A10	-
U8	PG1	FMC_A11	-
H16	PG2	FMC_A12	-
H15	PG3	FMC_A13	-
H14	PG4	FMC_A14 / SDR_BA0	-
G14	PG5	FMC_A15 / SDR_BA1	-
G15	PG6	QSPI_BK1_NCS	-
F16	PG7	SAI_1_MCLK_A	-
F15	PG8	SDR_SDCLK	-
A10	PG9	QSPI_BK2_IO2	-
A9	PG10	FMC_NE3	-
B9	PG11	RMII_TX_EN	-
C9	PG12	RMII_TXD1	-
D9	PG13	RMII_TXD0	-
D8	PG14	QSPI_BK2_IO3	-

Pin No.	Pin Name	Default function	Alternative function
D6	PG15	SDR_SDNCAS	-
J2	PH0 - OSC_IN	OSC_IN	-
J1	PH1 - OSC_OUT	OSC_OUT	-
N2	PH2	QSPI_BK2_IO0	-
P2	PH3	QSPI_BK2_IO1	-
P3	PH4	ULPI_NXT	-
P4	PH5	SDR_SDNWE	-
T11	PH6	SDR_SDNE1	-
U13	PH7	SDR_SDCKE1	-
T13	PH8	FMC_D16	-
R13	PH9	FMC_D17	-
P13	PH10	FMC_D18	-
P14	PH11	FMC_D19	-
R14	PH12	FMC_D20	-
D16	PH13	FMC_D21	-
B17	PH14	FMC_D22	-
B16	PH15	FMC_D23	-
A16	PI0	FMC_D24	-
A15	PI1	FMC_D25	-
B15	PI2	FMC_D26	-
C14	PI3	FMC_D27	-
A4	PI4	FMC_NBL2	-
A3	PI5	FMC_NBL3	-
A2	PI6	FMC_D28	-
B3	PI7	FMC_D29	-
E4	PI8- ANTI TAMP2	GPIO_EXPANDER_INT	-
E2	PI9	FMC_D30	-
F3	PI10	FMC_D31	-
F4	PI11	ULPI_DIR	-
H1	PI12	RGB_LCD_HSYNC	-
H2	PI13	RGB_LCD_VSYNC	-
H3	PI14	RGB_LCD_CLK	-
P5	PI15	RGB_LCD_R0	-
N6	PJ0	RGB_LCD_R1	-
P6	PJ1	RGB_LCD_R2	-
T6	PJ2	RGB_LCD_R3	-
U6	PJ3	RGB_LCD_R4	-
U7	PJ4	RGB_LCD_R5	-
R12	PJ5	RGB_LCD_R6	-
N15	PJ6	RGB_LCD_R7	-

Pin No.	Pin Name	Default function	Alternative function
N14	PJ7	RGB_LCD_G0	-
N13	PJ8	RGB_LCD_G1	-
M14	PJ9	RGB_LCD_G2	-
L14	PJ10	RGB_LCD_G3	-
K14	PJ11	RGB_LCD_G4	-
D11	PJ12	RGB_LCD_B0	-
E10	PJ13	RGB_LCD_B1	-
D10	PJ14	RGB_LCD_B2	-
B10	PJ15	RGB_LCD_B3	-
J14	PK0	RGB_LCD_G5	-
J15	PK1	RGB_LCD_G6	-
H17	PK2	RGB_LCD_G7	-
C8	PK3	RGB_LCD_B4	-
B8	PK4	RGB_LCD_B5	-
A8	PK5	RGB_LCD_B6	-
C7	PK6	RGB_LCD_B7	-
D7	PK7	RGB_LCD_DE	-
T1	PA0_C	Potentiometer	-
T2	PA1_C	-	-
R1	PC2_C	-	-
R2	PC3_C	-	-

#### 6.1.4 STM32H7x3I-EVAL RevB electrical schematics

This section provides the design schematics for the STM32H7x3I-EVAL RevB Evaluation board:

- Overall schematics for the STM32H7x3I-EVAL, see [Figure 22. STM32H7x3I-EVAL RevB Evaluation board](#)
- STM32H7x3I-EVAL MCU, see [Figure 23. STM32H7x3I-EVAL RevB MCU](#)
- Power, see [Figure 24. STM32H7x3I-EVAL RevB power](#)
- SRAM, Flash and SDRAM, see [Figure 25. STM32H7x3I-EVAL RevB SRAM, Flash and SDRAM](#)
- Audio, see [Figure 26. STM32H7x3I-EVAL RevB audio](#)
- LCD, see [Figure 27. STM32H7x3I-EVAL RevB LCD connectors](#)
- Ethernet, see [Figure 28. STM32H7x3I-EVAL RevB Ethernet](#)
- USB OTG\_HS, see [Figure 29. STM32H7x3I-EVAL RevB USB OTG\\_HS](#)
- USB OTG\_FS, see [Figure 30. STM32H7x3I-EVAL RevB USB OTG\\_FS](#)
- RS-232, see [Figure 31. STM32H7x3I-EVAL RevB RS-232](#)
- FDCAN and Quad-SPI, see [Figure 32. STM32H7x3I-EVAL RevB FDCAN and Q-SPI](#)
- microSD™, see [Figure 33. STM32H7x3I-EVAL RevB microSD™ 3.0 card](#)
- Peripherals, see [Figure 34. STM32H7x3I-EVAL RevB peripherals](#)
- Extension connectors, see [Figure 35. STM32H7x3I-EVAL RevB extension connectors](#)
- ST-LINK/V2-1, see [Figure 36. STM32H7x3I-EVAL RevB ST-LINK/V2-1](#)
- MFX, see [Figure 37. STM32H7x3I-EVAL RevB MFX](#)
- JTAG and trace, see [Figure 38. STM32H7x3I-EVAL RevB JTAG and trace](#)
- 5.7" LCD board, see [Figure 39. STM32H7x3I-EVAL RevB 5.7" LCD board](#)

Figure 22. STM32H7x3I-EVAL RevB Evaluation board

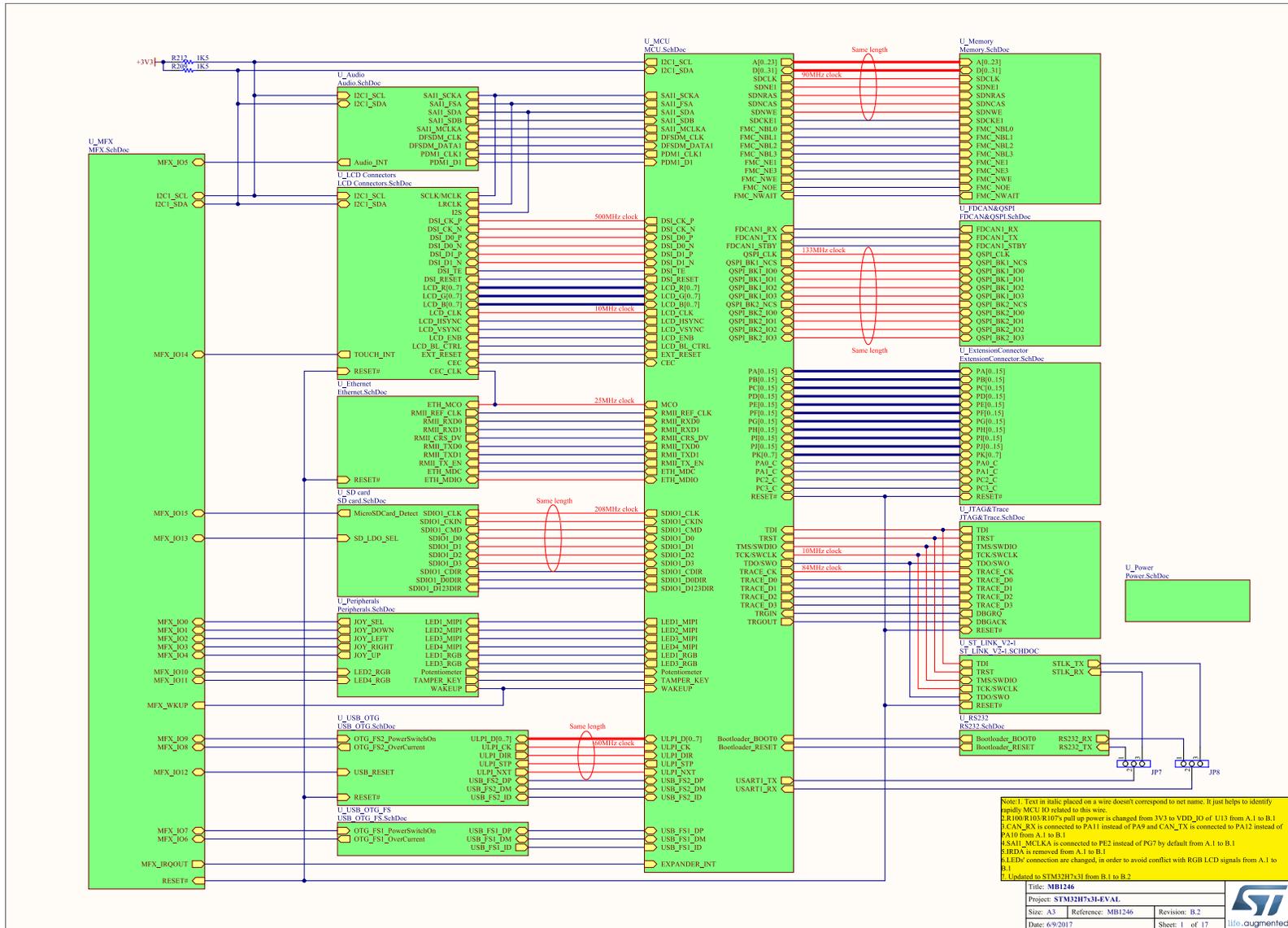




Figure 24. STM32H7x3I-EVAL RevB power

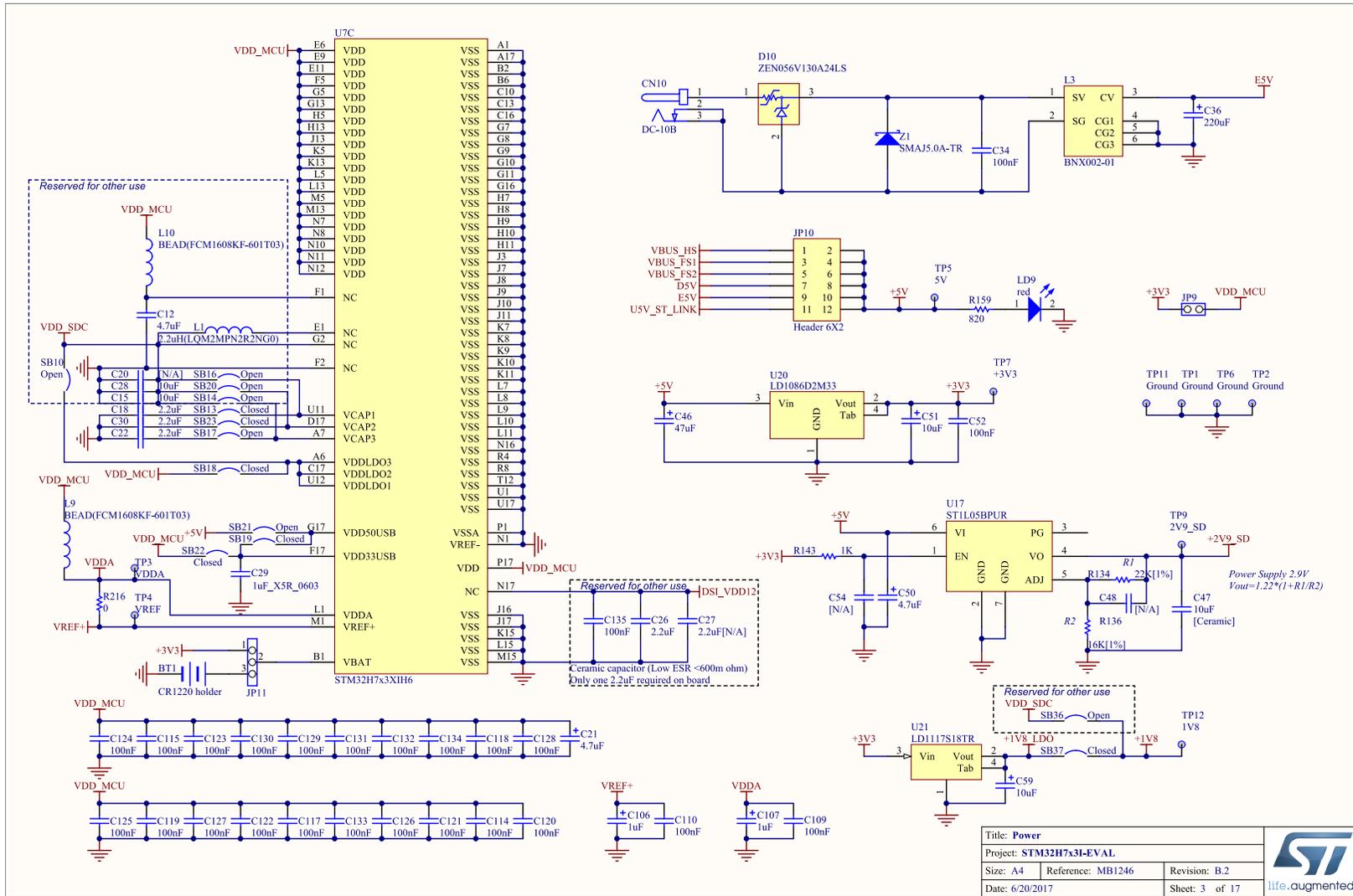
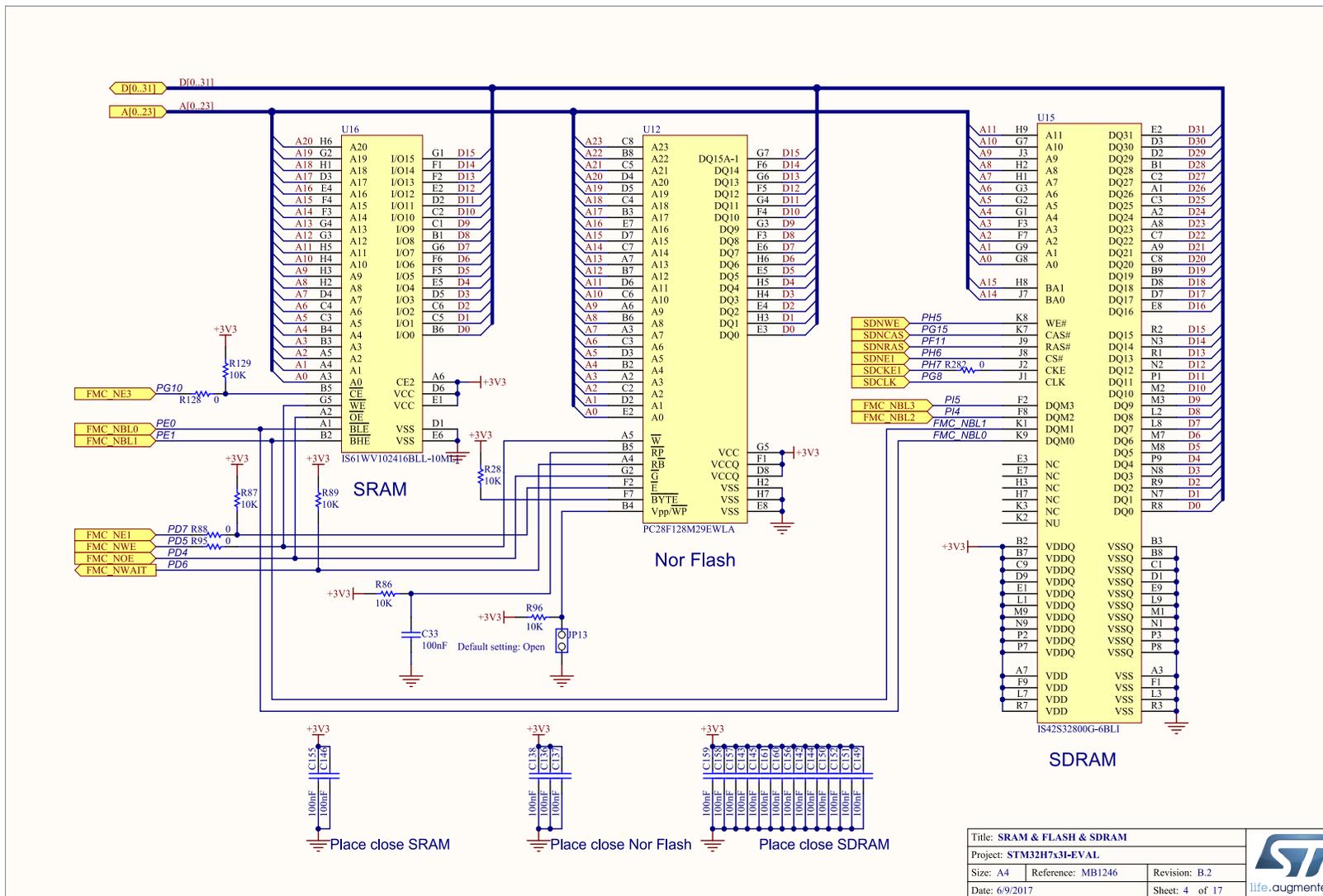


Figure 25. STM32H7x3I-EVAL RevB SRAM, Flash and SDRAM



Title: SRAM & FLASH & SDRAM		
Project: STM32H7x3I-EVAL		
Size: A4	Reference: MB1246	Revision: B.2
Date: 6/9/2017	Sheet: 4 of 17	



life.ugmented



Figure 26. STM32H7x3I-EVAL RevB audio

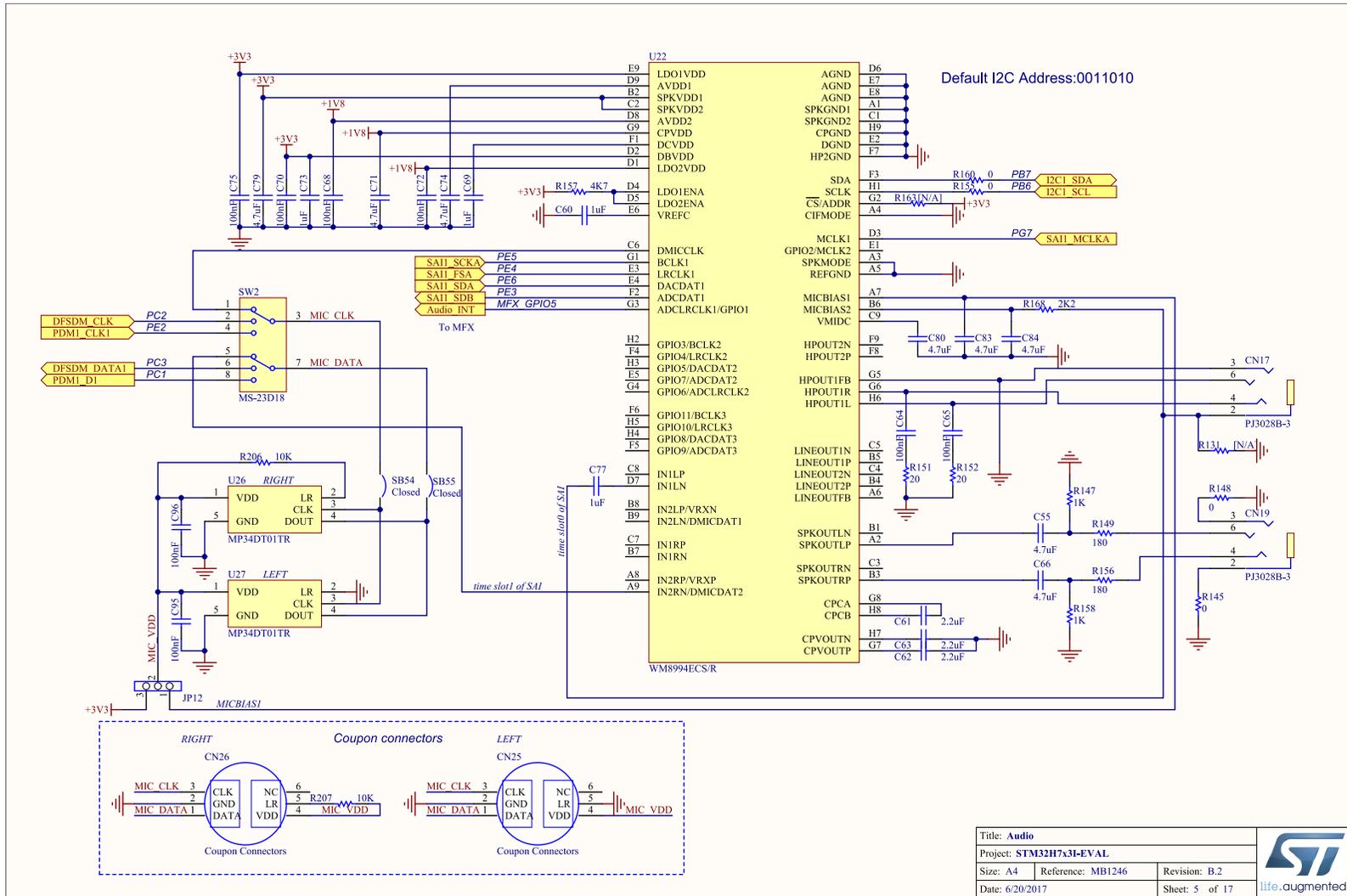


Figure 27. STM32H7x3I-EVAL RevB LCD connectors

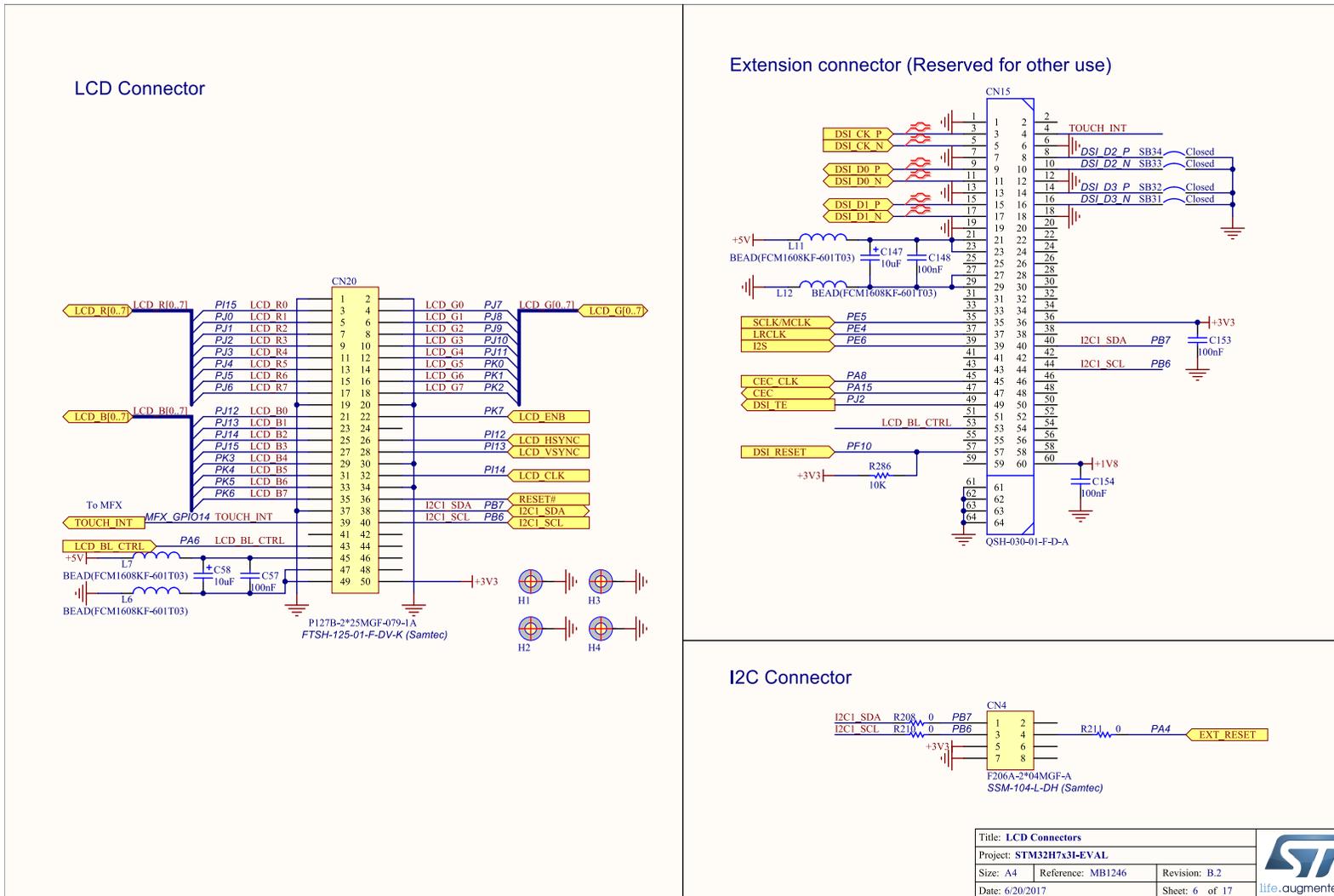


Figure 28. STM32H7x3I-EVAL RevB Ethernet

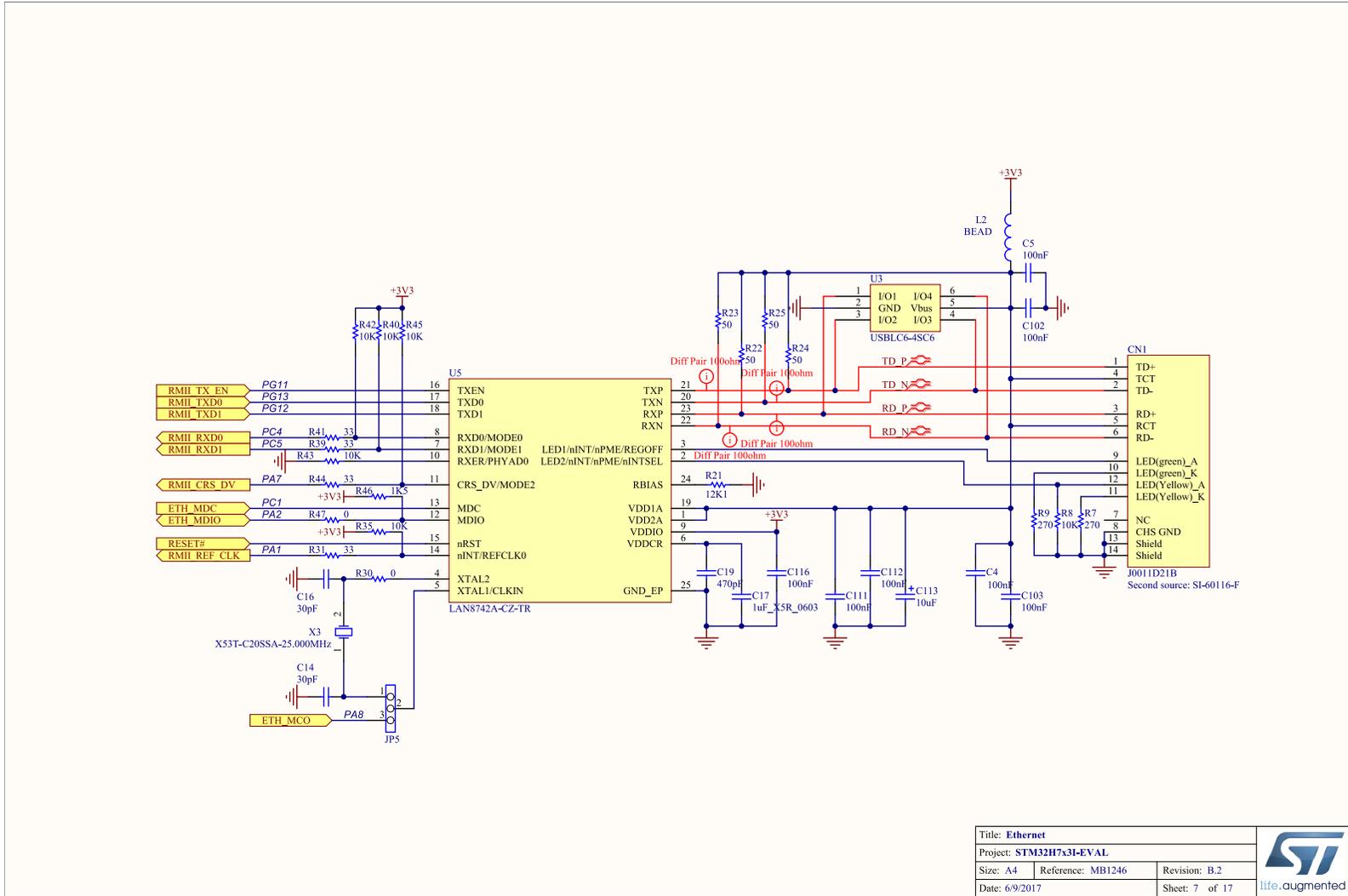
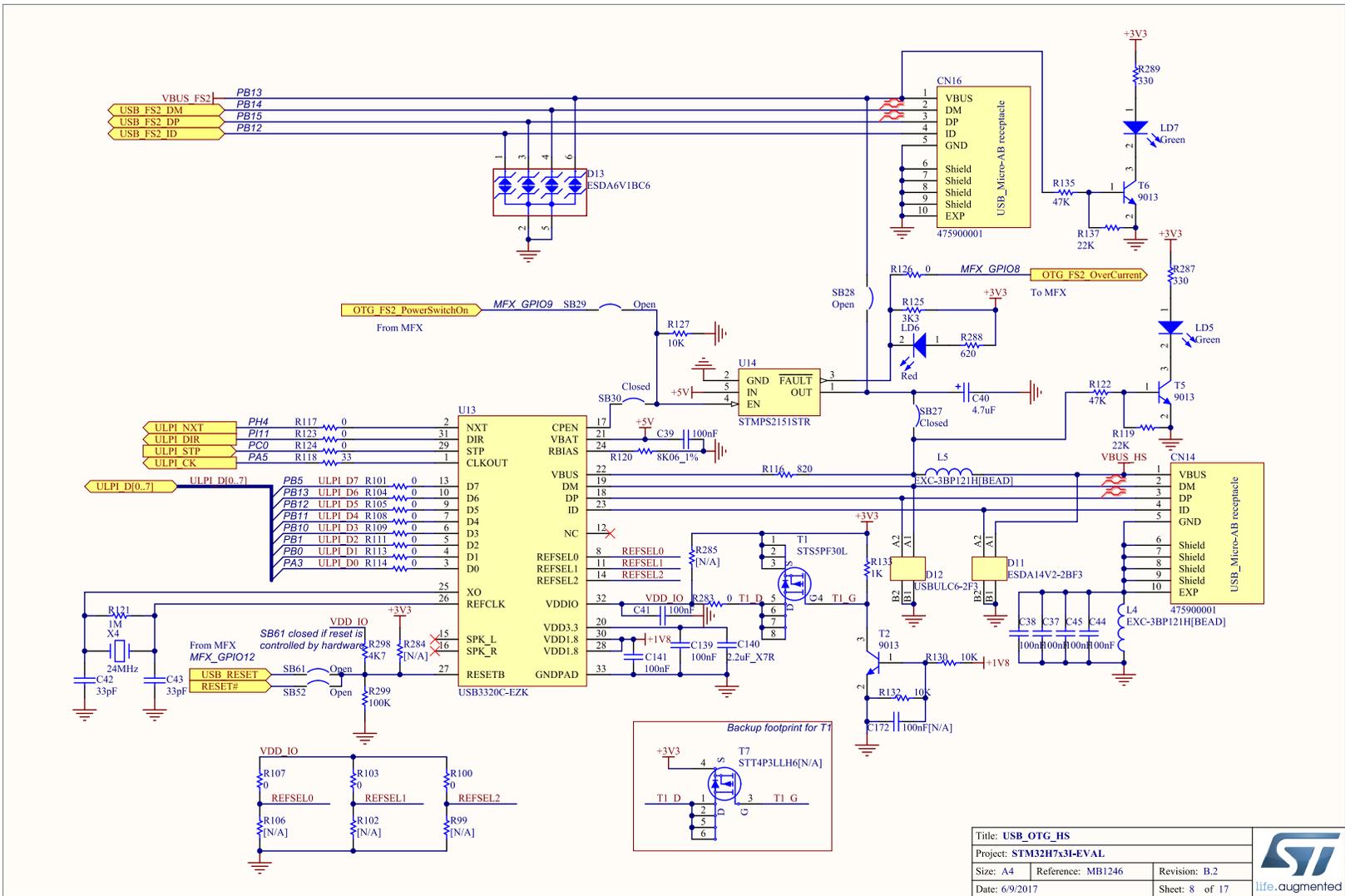


Figure 29. STM32H7x3I-EVAL RevB USB OTG\_HS



Title: USB_OTG_HS		
Project: STM32H7x3I-EVAL		
Size: A4	Reference: MB1246	Revision: B.2
Date: 6/9/2017	Sheet: 8 of 17	life.augmented



Figure 30. STM32H7x3I-EVAL RevB USB\_OTG\_FS

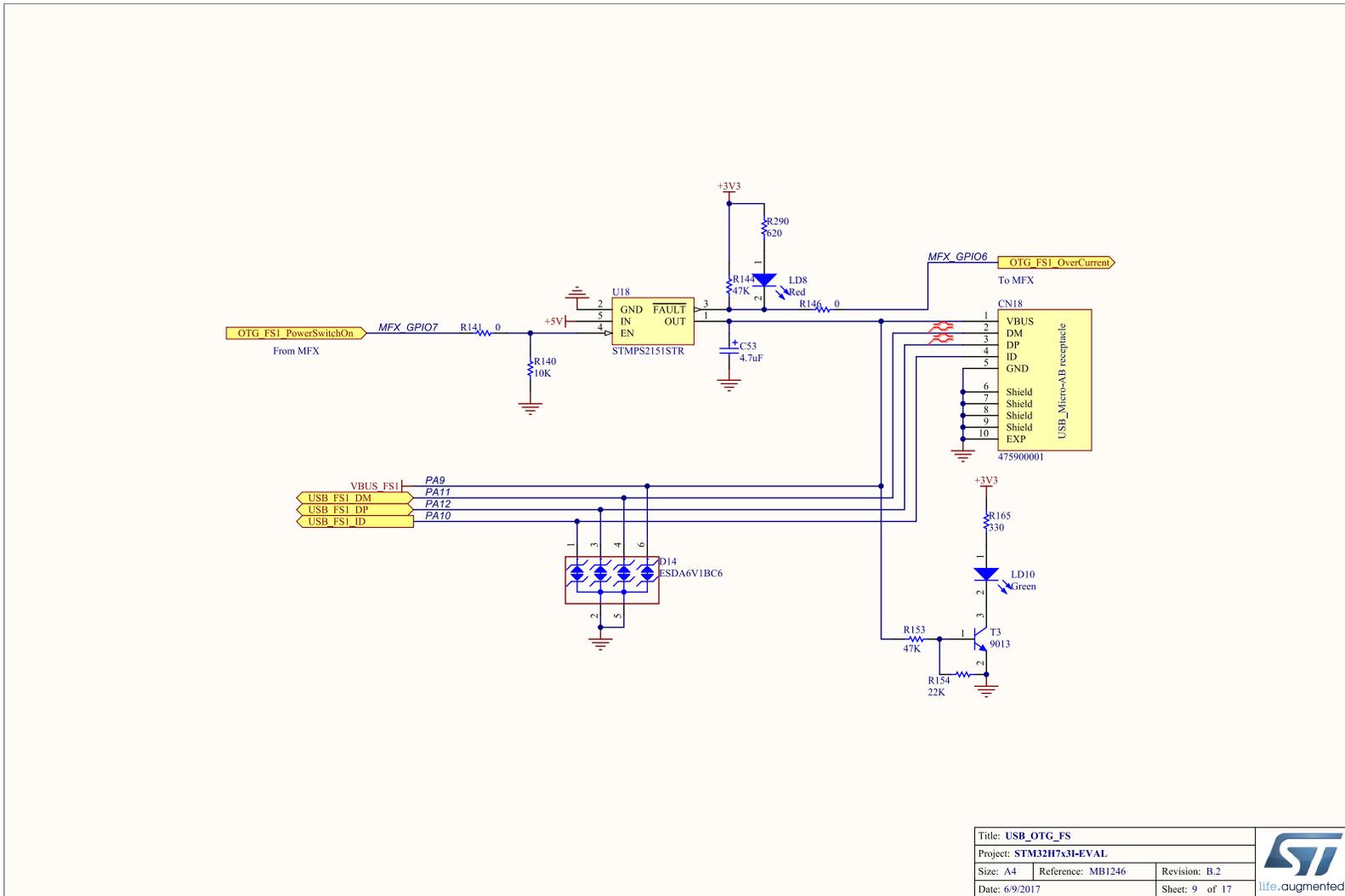
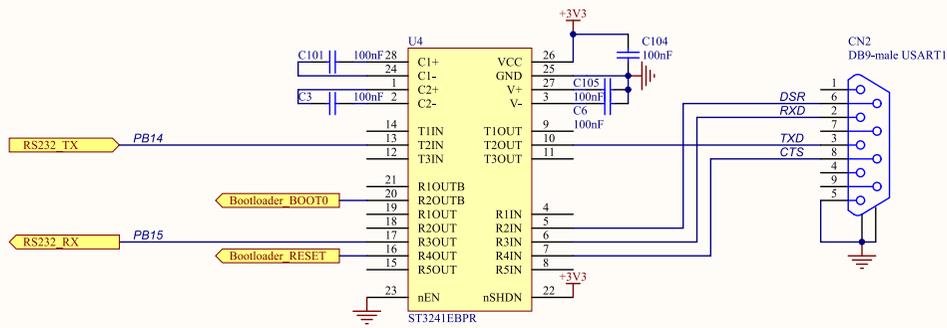


Figure 31. STM32H7x3I-EVAL RevB RS-232



RS232

Title: RS232	
Project: STM32H7x3I-EVAL	
Size: A4	Reference: MB1246
Date: 6/9/2017	Revision: B.2
Sheet: 10 of 17	



Figure 32. STM32H7x3I-EVAL RevB FDCAN and Q-SPI

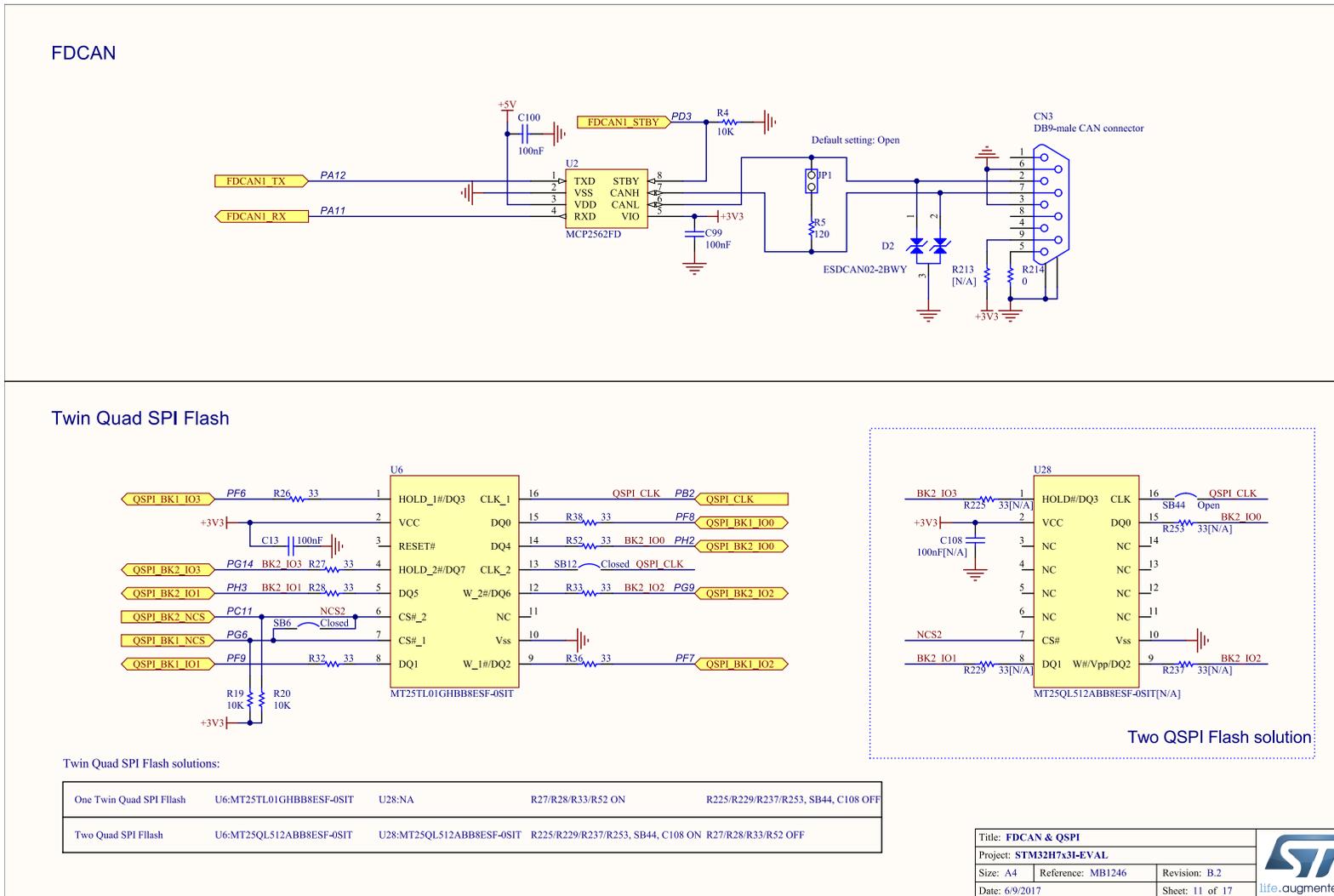
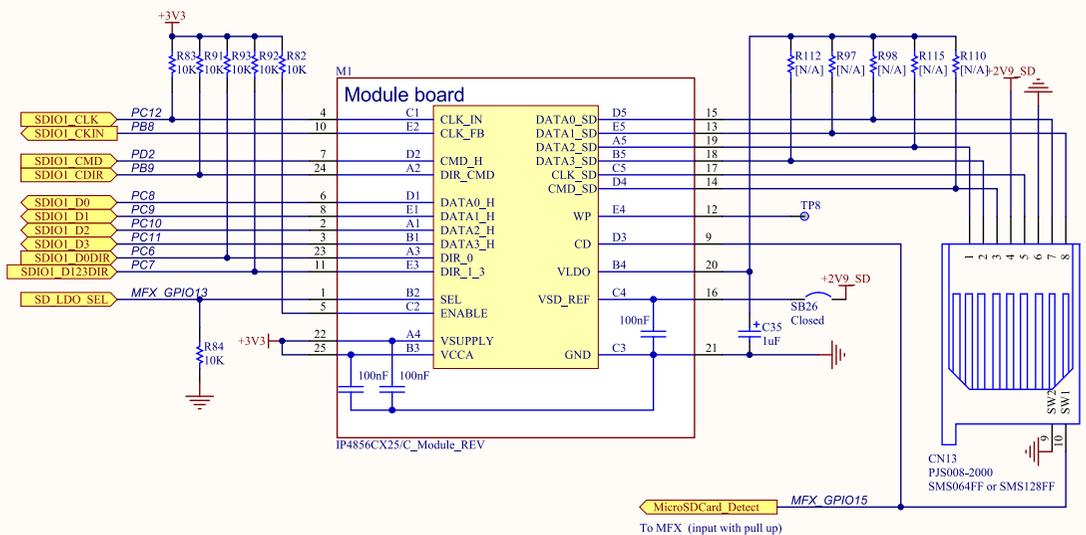


Figure 33. STM32H7x3I-EVAL RevB microSD™ 3.0 card

MICRO SD 3.0 Card



Title: MICRO SD 3.0 Card	
Project: STM32H7x3I-EVAL	
Size: A4	Reference: MB1246
Date: 6/9/2017	Revision: B.2
Sheet: 12 of 17	



Figure 34. STM32H7x3I-EVAL RevB peripherals

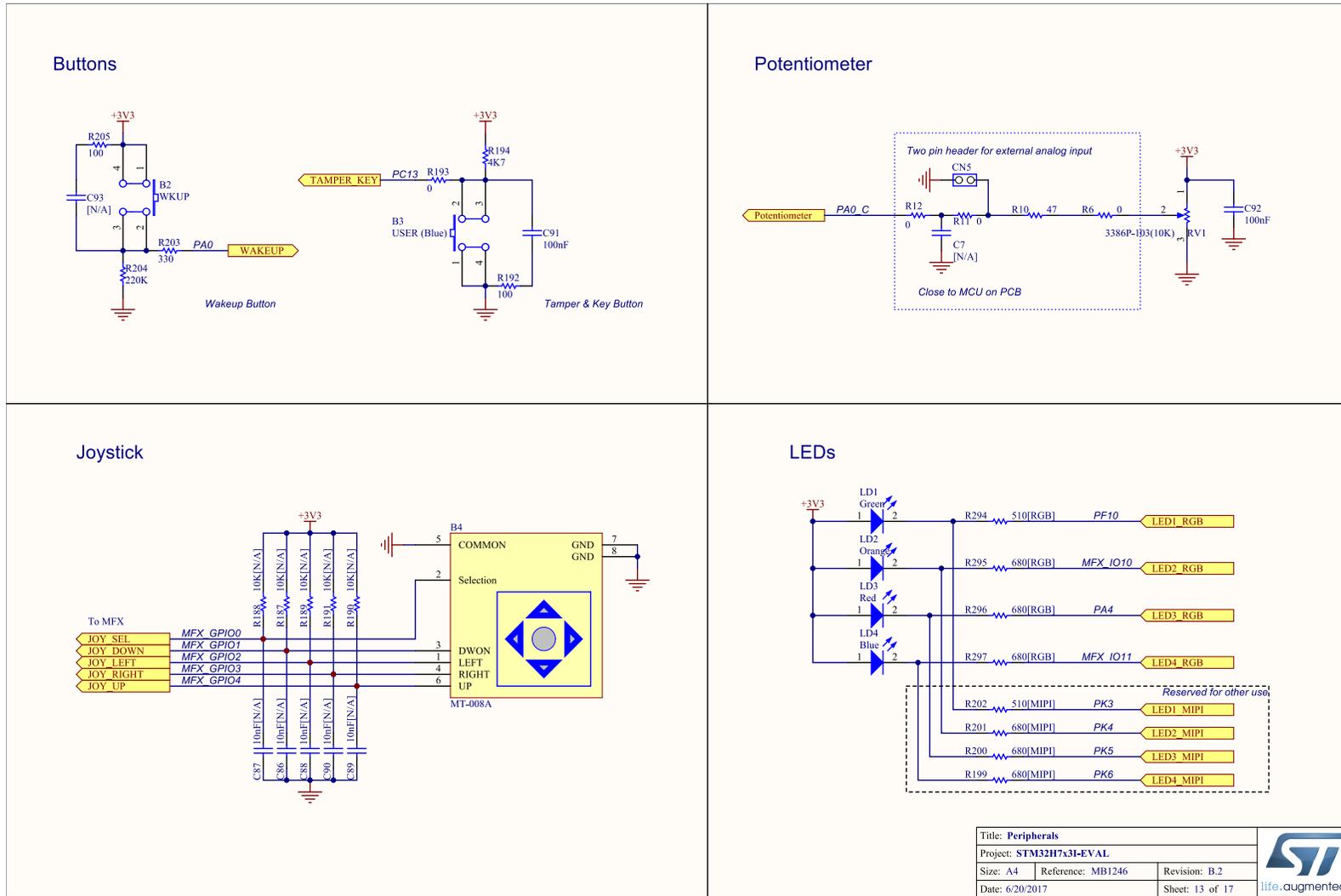


Figure 35. STM32H7x3I-EVAL RevB extension connectors

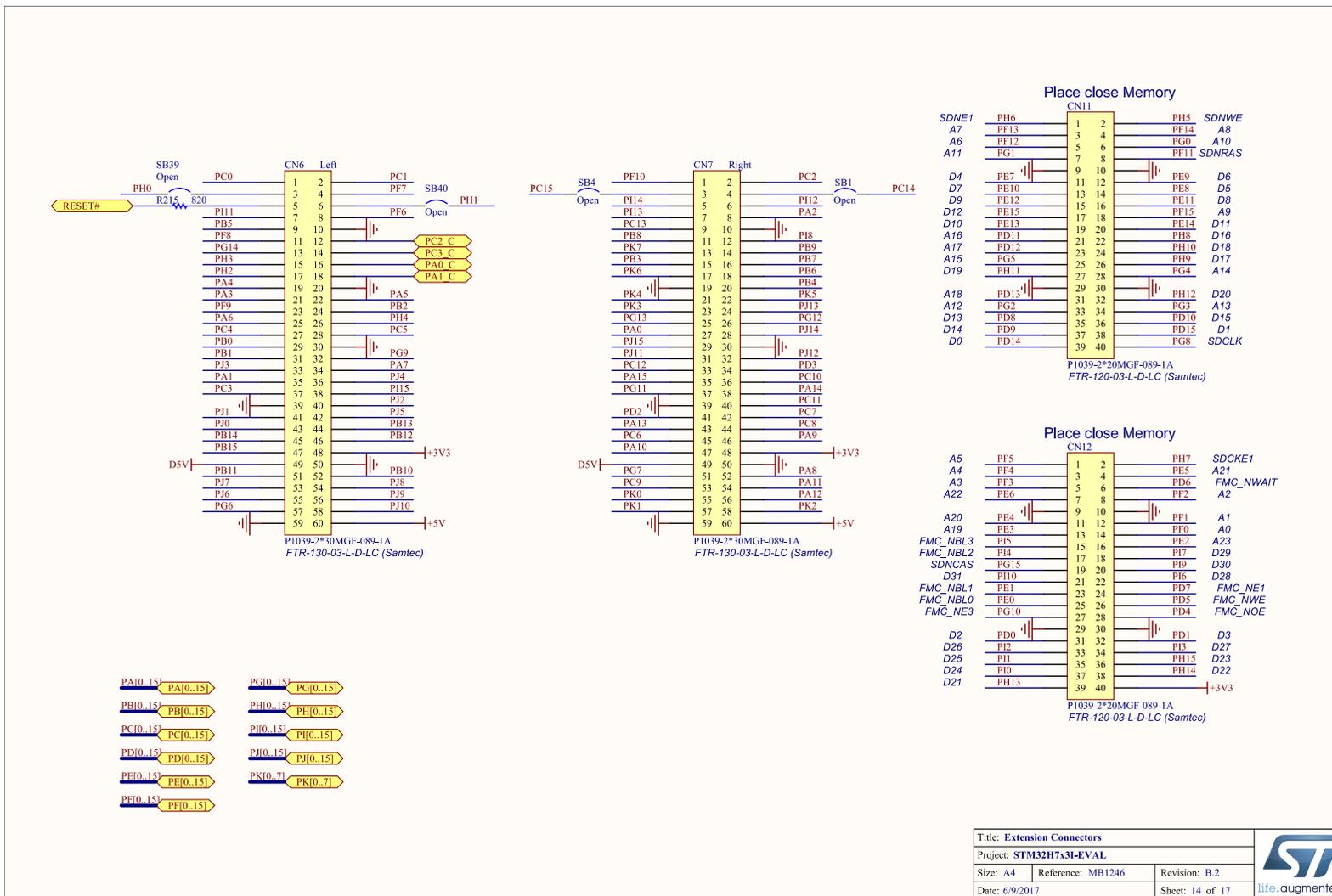


Figure 36. STM32H7x3I-EVAL RevB ST-LINK/V2-1

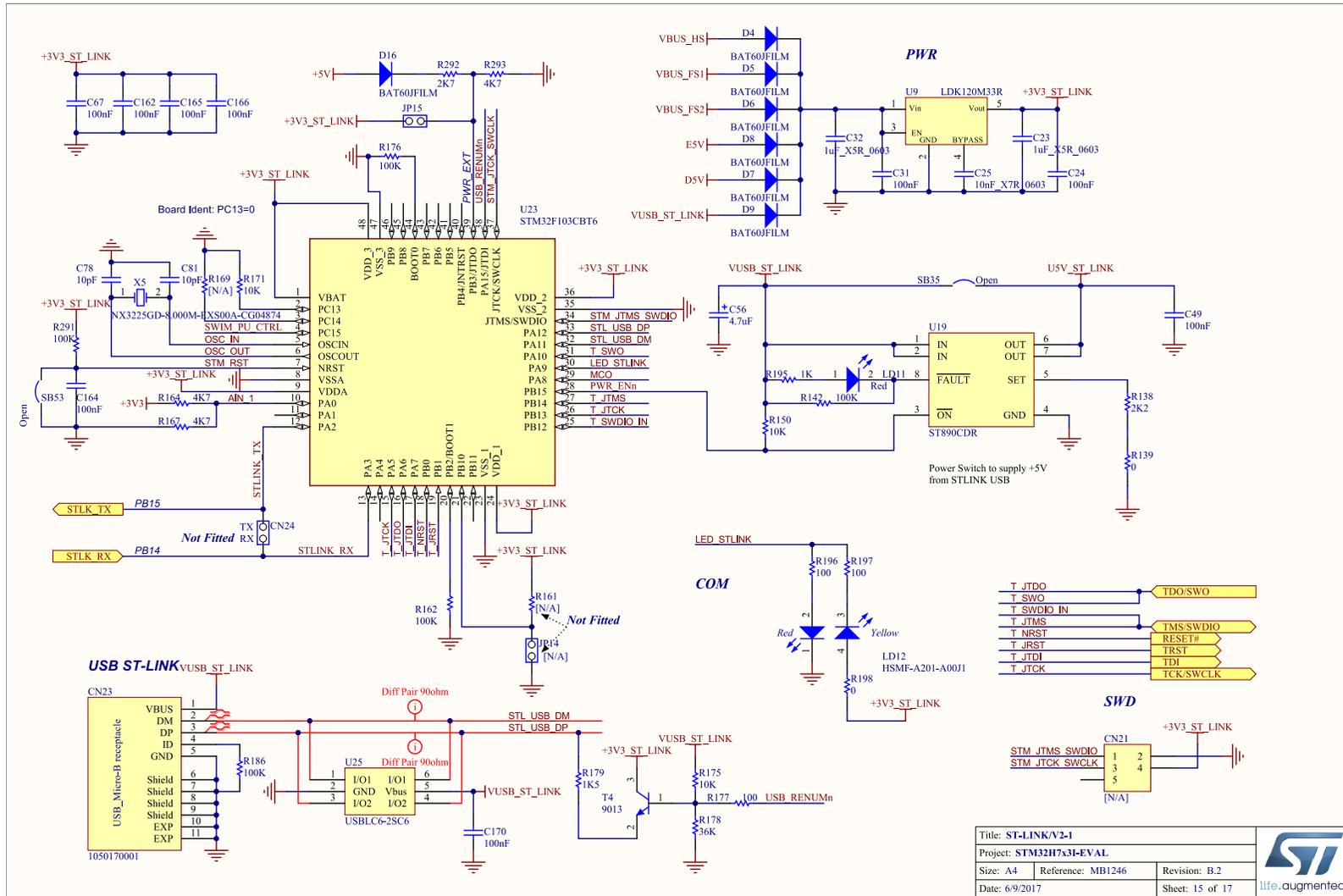




Figure 38. STM32H7x3I-EVAL RevB JTAG and trace

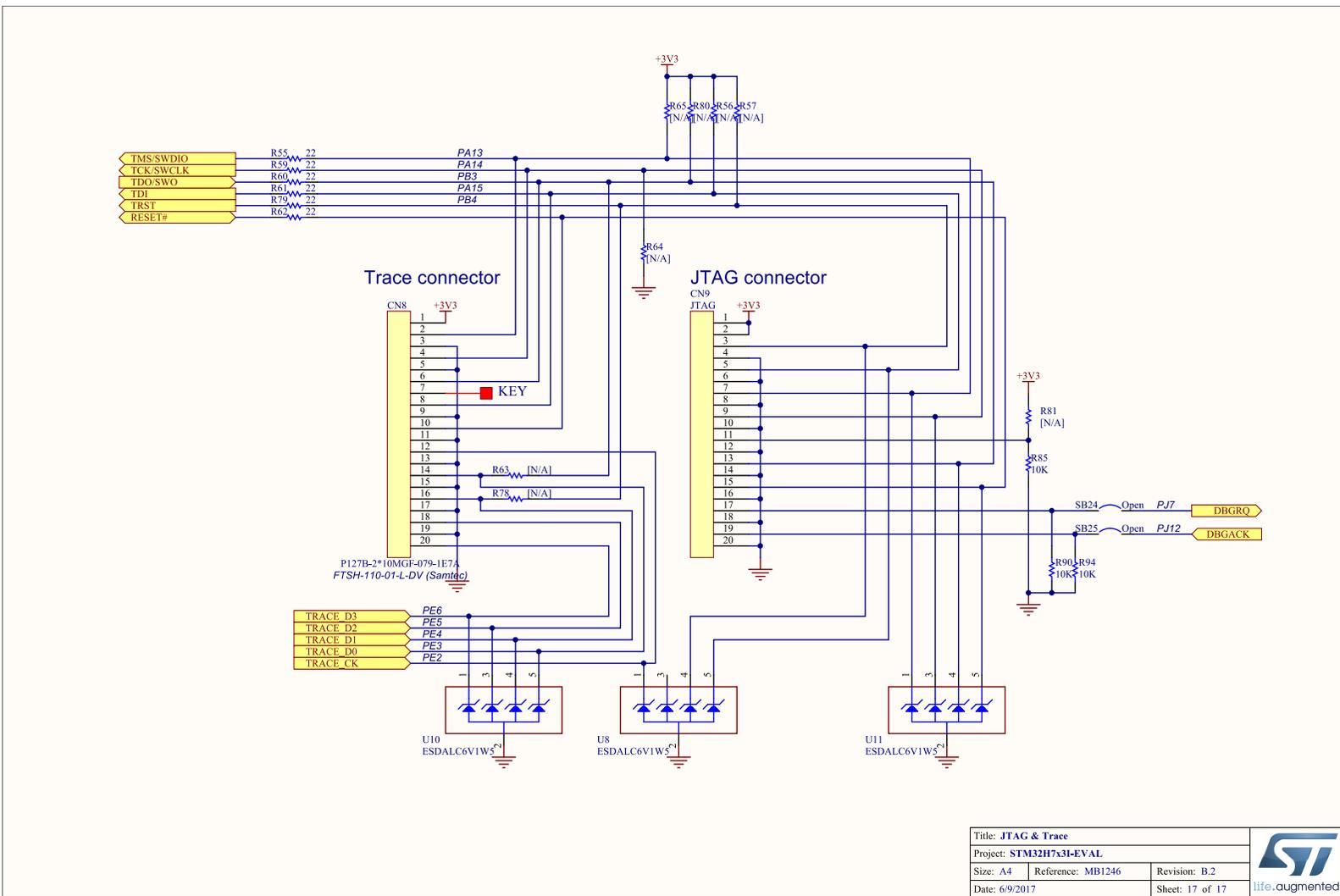
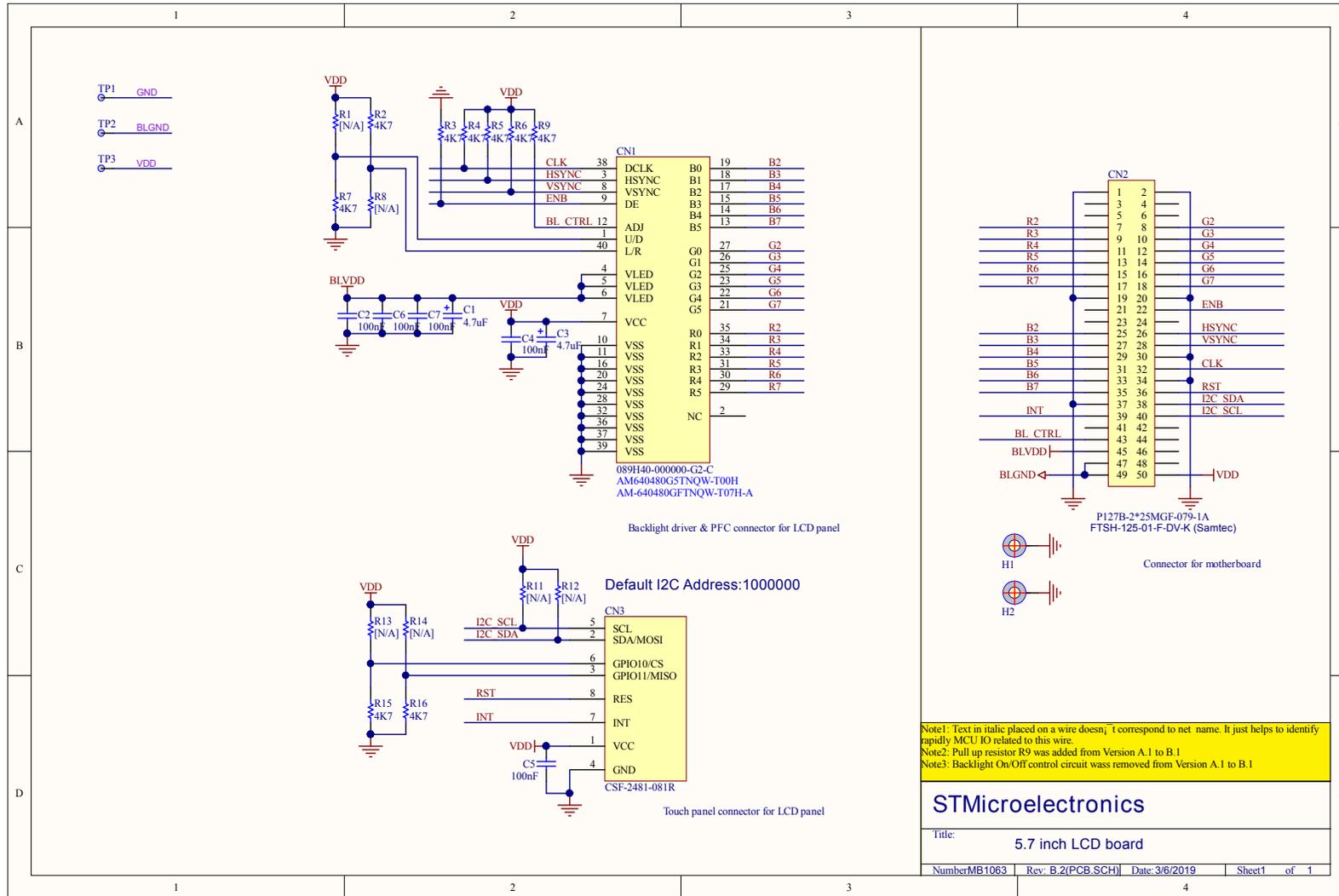


Figure 39. STM32H7x3I-EVAL RevB 5.7" LCD board



### 6.1.5 STM32H7x3I-EVAL RevB board revision history and limitations

**Table 36. STM32H7x3I-EVAL RevB board revision history and limitations**

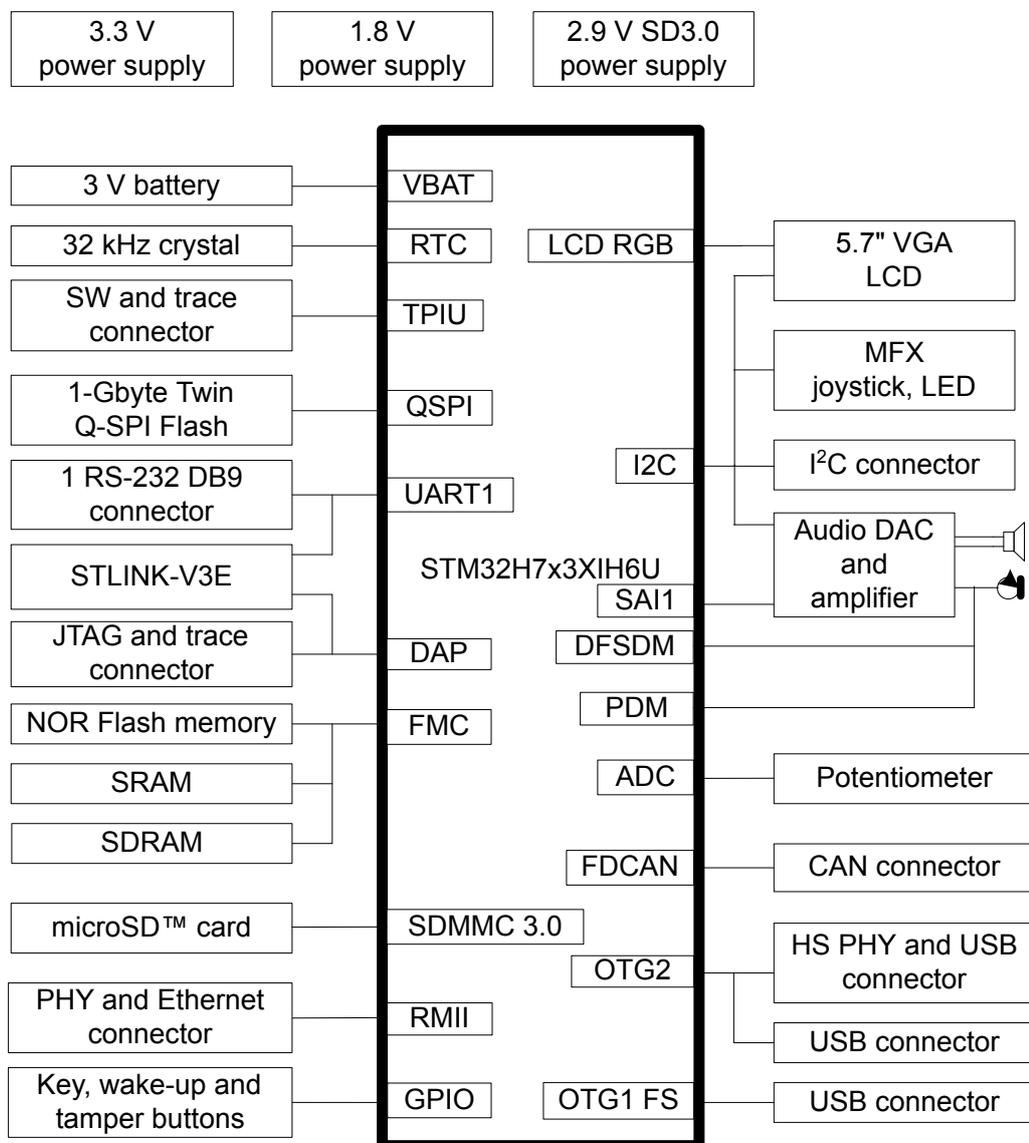
Board	Version	Revision details	Known limitations
MB1246 (Main board)	B-02	Initial version for STM32H743I-EVAL and STM32H753I-EVAL order codes	-
MB1063 (LCD board)	B-02	Initial version	-

## 6.2 STM32H7x3I-EVAL (MB1246 RevE)

### 6.2.1 STM32H7x3I-EVAL hardware layout and configuration (MB1246 RevE)

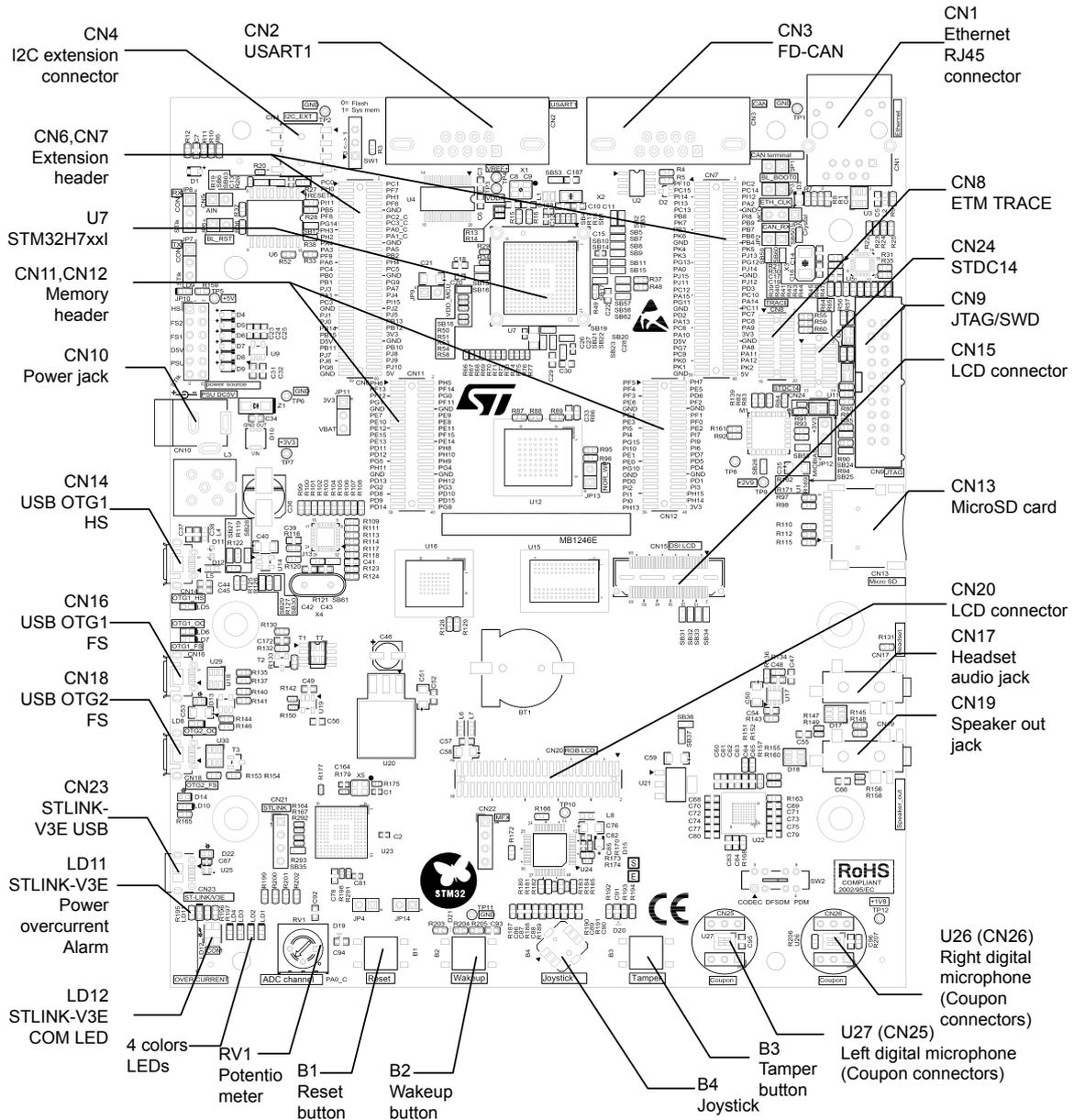
The STM32H7x3I-EVAL Evaluation boards are designed around the STM32H7x3XIH6U (240+25-pin TFBGA package microcontroller. [Figure 40. Hardware block diagram \(RevE\)](#)) shows the hardware block diagram for STM32H7x3XIH6U and illustrates the connection between the microcontroller and the peripherals (SDRAM, SRAM, NOR Flash, Twin Quad-SPI Flash, color LCD, USB OTG connectors, USART, Ethernet, Audio, FDCAN, microSD™ 3.0 card and embedded ST-LINK). [Figure 40](#) helps users to locate these features on the Evaluation board. The mechanical dimensions of the board are shown in [Section 6.2.1.2 STM32H7x3I-EVAL Evaluation board mechanical drawing](#).

Figure 40. Hardware block diagram (RevE)



6.2.1.1 STM32H7x3I-EVAL Evaluation board layout (RevE)

Figure 41. STM32H7x3I-EVAL RevE Evaluation board (top side)



6.2.1.2 STM32H7x3I-EVAL Evaluation board mechanical drawing

Figure 42 and Table 37 show the mechanical dimensions for the MB1246 board with the 5.7" LCD daughterboard.

Figure 42. STM32H7x3I-EVAL Evaluation board mechanical drawing

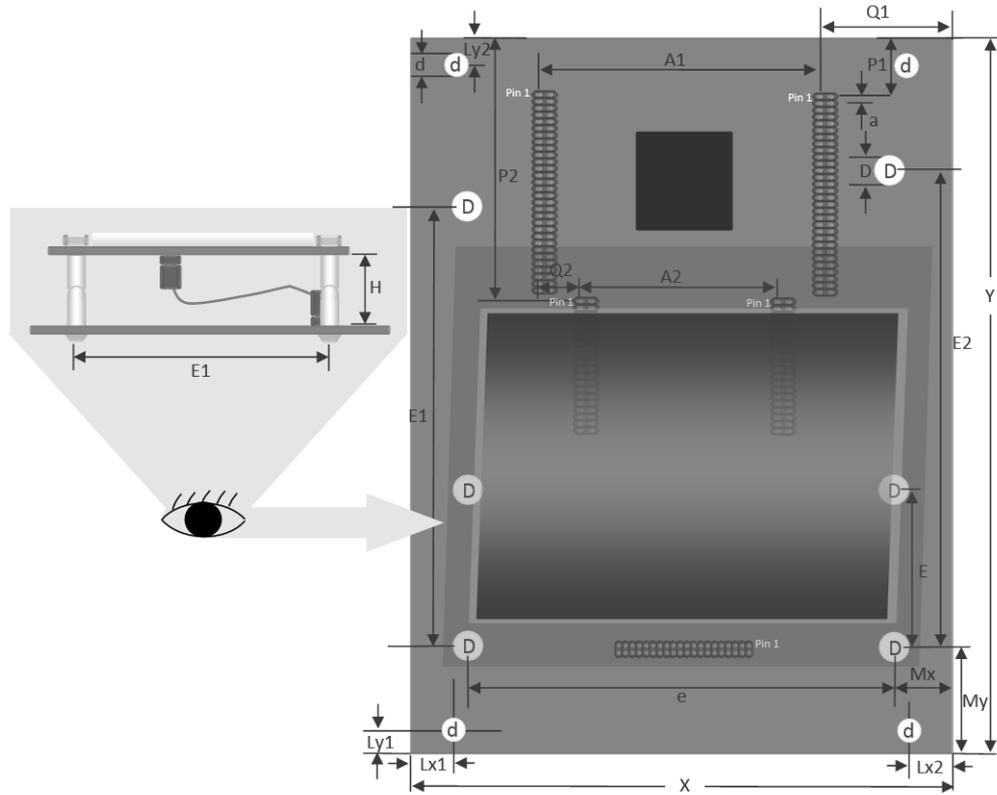


Table 37. Mechanical dimensions

Symbol	Size (mm)	Symbol	Size (mm)	Symbol	Size (mm)
A1	68.58	e	116.5	My	32.7
A2	48.62	H	8	P1	16.76
a	1.27	Lx1	13.7	P2	55.32
D	4.5	Lx2	25	Q1	39.23
d	3.5	Ly1	5	Q2	9.98
E1	107	Ly2	6.4	X	141.60
E2	114.18	Mx	12.5	Y	172.72

### 6.2.1.3 **Embedded STLINK-V3E**

The STLINK-V3E programming and debugging tool is integrated on the STM32H7x3I-EVAL Evaluation board.

The key STLINK-V3E features are the following:

- Standalone probe with modular extensions
- Self-powered through a USB connector (Micro-B)
- USB 2.0 high-speed compatible interface
- Direct firmware update support (DFU)
- JTAG/serial wire debugging (SWD) specific features:
  - 3 V to 3.6 V application voltage support and 5 V tolerant inputs
  - Flat cables STDC14 to MIPI10 / STDC14 / MIPI20 (connectors with 1.27 mm pitch)
  - JTAG communication support
  - SWD and serial wire viewer (SWV) communication support
- Virtual COM port (VCP) specific features:
  - 3 V to 3.6 V application voltage support on the UART interface and 5 V tolerant inputs
  - VCP frequency up to 15 MHz
  - Available on STDC14 debug connector (not available on MIPI10)
- Multipath bridge USB to SPI/UART/I<sup>2</sup>C/CAN/GPIOs specific features:
  - 3 to 3.6 V application voltage support and 5 V tolerant inputs
  - Signals available on adapter board only (MB1440)
- Drag-and-drop Flash programming
- Two color LEDs: communication, power

Refer to [www.st.com](http://www.st.com) for details about STLINK-V3E.

*Note:* It is possible to power the Evaluation board through CN23 (Embedded STLINK-V3E USB connector) even if an external tool is connected to CN8 (ETM Trace connector) or CN9 (External JTAG and SWD connector).

*ETM can only work at 50 MHz clock by default because ETM signals are shared with other peripherals. If better performance of ETM is required (84 MHz/98 MHz), R217, R230, R231, R234, R236, SB2, SB5, SB8, SB11, SB42, SB57 must be removed to reduce the stub on ETM signals. In this configuration SAI and PDM are not functional and NOR Flash and the address of SRAM are limited on A18.*

*ETM trace function would be abnormal as SAI\_SDB share the same pins with TRACE\_D0, and TRACE\_D0 would be forced high by SAI\_SDB. When using ETM trace it is necessary to set ADCDAT1 pin (SAI\_SDB signal of the STM32) of audio codec WM8994ECS/R (U22) by software to be tri-state.*

#### 6.2.1.3.1 **Drivers and firmware upgrade**

The STLINK-V3E requires drivers to be installed on Windows®. It embeds a firmware, which needs to be updated from time to time to benefit from new functionalities and bug corrections. Refer to technical note *Overview of ST-LINK derivated* (TN1235) for details.

#### 6.2.1.4 **Power supply**

The STM32H7x3I-EVAL Evaluation board is designed to be powered by 5 V DC power supply and is protected by PolyZen from wrong power plug-in events. It is possible to configure the Evaluation board to use any of the following six sources for the power supply:

- 5 V DC power adapter connected to CN10, the power jack on the board (Power Supply Unit on silk screen of JP10 (PSU)).
- 5 V DC power with 500 mA limitation from CN23, the USB Micro-B connector of STLINK-V3E (USB 5 V power source on silkscreen of JP10 (STIk)). If the USB enumeration succeeds (as explained below), the STLINK-V3E U5V power is enabled, by asserting the PWR\_EN pin. This pin is connected to a power switch (ST890) that powers the board. This power switch features also a current limitation to protect the PC in case of short-circuit on the board. If overcurrent (more than 600 mA) happens on the board, the LED LD11 lights up.
- 5 V DC power with 500 mA limitation from CN14, the USB OTG1\_HS Micro-AB connector (USB 5V power source on silkscreen of JP10 (HS)).
- 5 V DC power with 500 mA limitation from CN18, the USB OTG2\_FS Micro-AB connector (USB 5V power source on silkscreen of JP10 (FS2)).

- 5 V DC power with 500 mA limitation from CN16, the USB OTG1\_FS Micro-AB connector (USB 5V power source on silkscreen of JP10 (FS1)).
- 5 V DC power from CN6 and CN7, the extension connectors for daughterboard (daughterboard power source on silkscreen of JP10 (D5V)).

The STM32H7x3I-EVAL Evaluation board can be powered from the STLINK-V3E USB connector CN23 (U5V), but only the STLINK-V3E circuit has the power before USB enumeration, because the host PC only provides 100 mA to the board at that time. During the USB enumeration phase the STM32H7x3I-EVAL board requires 300 mA power from the host PC. If the host is able to provide the required power, the enumeration succeeds, the power transistor U19 is switched ON, the green LED LD9 is turned ON, and thus the STM32H7x3I-EVAL board is powered and can consume maximum 300 mA current. If the host PC is not able to provide the requested current, the enumeration fails. Therefore the STM32 part including the extension board is not powered. As a consequence the green LED LD9 remains turned OFF. In this case it is mandatory to use an external power supply to supply extra power.

E5V (from PSU) or D5V can be used as an external power supply in case the current consumption of the STM32H7x3I-EVAL board exceeds the allowed current on USB. In this condition it is still possible to use USB for communication, programming or debugging only, but it is mandatory to power the board first using E5V or D5V, and then connecting the USB cable to the PC. Proceeding this way ensures that the enumeration succeeds thanks to the external power source.

The following power sequence procedure must be respected:

1. Connect jumper JP10 for PSU or D5V side
2. Check that SB35 is removed
3. Connect the external power source to PSU or D5V (daughterboard mounted)
4. Check green LED LD9 is turned ON
5. Connect the PC to USB connector CN23

If this order is not respected, the board may be powered by  $V_{BUS}$  first then by E5V or D5V, and the following risks may be encountered:

1. If more than 300 mA current is needed by the board, the PC may be damaged or current can be limited by PC. As a consequence the board is not powered correctly.
2. 300 mA is requested at the enumeration phase (since JP15 must be OFF), so there is risk that the request is rejected and the enumeration does not succeed if PC cannot provide such current. Consequently the board is not powered (LED LD9 remains OFF).

*Note:* In case the STM32H7x3I-EVAL board is powered by a USB charger, there is no USB enumeration, so the led LD9 remains set to OFF permanently and the board is not powered. Only in this specific case the jumper JP15 needs to be set to ON, to allow the board to be powered anyway.

The power supply is configured by setting the related jumpers **JP9**, **JP10** and **JP11** as described in [Table 38. Power related jumpers](#).

**Table 38. Power related jumpers**

Jumper	Description												
JP9	JP9 is used to measure STM32 current consumption manually by a multimeter. Default setting: ON												
JP10	<p>JP10 is used to select one of the six possible power supply resources.</p> <p>To supply the STM32H7x3I-EVAL board through the USB connector of the STLINK-V3E (CN23) set JP10 as shown below: (default setting)</p> <div style="text-align: right; margin-top: 10px;"> <table style="border: none;"> <tr><td>HS</td><td>● ●</td></tr> <tr><td>FS1</td><td>● ●</td></tr> <tr><td>FS2</td><td>● ●</td></tr> <tr><td>D5V</td><td>● ●</td></tr> <tr><td>PSU</td><td>● ●</td></tr> <tr><td>STIk</td><td><span style="border: 1px solid black; padding: 2px;">● ●</span></td></tr> </table> </div>	HS	● ●	FS1	● ●	FS2	● ●	D5V	● ●	PSU	● ●	STIk	<span style="border: 1px solid black; padding: 2px;">● ●</span>
HS	● ●												
FS1	● ●												
FS2	● ●												
D5V	● ●												
PSU	● ●												
STIk	<span style="border: 1px solid black; padding: 2px;">● ●</span>												

Jumper	Description
JP10	<p>To supply the STM32H7x3I-EVAL board through <b>the jack</b> (CN10), set JP10 as shown below:</p> <pre> HS   ● ● FS1  ● ● FS2  ● ● D5V  ● ● PSU  ● ● STIk ● ● </pre>
	<p>To supply the STM32H7x3I-EVAL board through the <b>daughterboard connectors</b> (CN6 and CN7), set JP10 as shown below:</p> <pre> HS   ● ● FS1  ● ● FS2  ● ● D5V  ● ● PSU  ● ● STIk ● ● </pre>
	<p>To supply the STM32H7x3I-EVAL board through the USB OTG1_FS (CN16), set JP10 as shown below:</p> <pre> HS   ● ● FS1  ● ● FS2  ● ● D5V  ● ● PSU  ● ● STIk ● ● </pre>
	<p>To supply the STM32H7x3I-EVAL board through the USB OTG2_FS (CN18), set JP10 as shown below:</p> <pre> HS   ● ● FS1  ● ● FS2  ● ● D5V  ● ● PSU  ● ● STIk ● ● </pre>
JP10	<p>To supply the STM32H7x3I-EVAL board through the USB OTG1_HS (CN14), set JP10 as shown below:</p> <pre> HS   ● ● FS1  ● ● FS2  ● ● D5V  ● ● PSU  ● ● STIk ● ● </pre>
	<p>To supply the STM32H7x3I-EVAL board and the daughterboard connected on CN6 and CN7 through the <b>power supply jack</b> (CN10), set JP10 as shown below (<b>daughterboard must not have its power supply connected</b>)</p> <pre> HS   ● ● FS1  ● ● FS2  ● ● D5V  ● ● PSU  ● ● STIk ● ● </pre>
JP11	<p>V<sub>BAT</sub> is connected to +3.3 V when JP11 is set as shown below: (Default setting)</p> <pre> 1 2 3 ● ● ● </pre>
	<p>V<sub>BAT</sub> is connected to the battery when JP11 is set as shown below:</p> <pre> 1 2 3 ● ● ● </pre>

The LED LD9 lights up when the STM32H7x3I-EVAL Evaluation board is powered by the 5 V correctly.

**Note:** To avoid the impact of USB PHY, Ethernet PHY and get precise results about current consumption on JP9, take into account the following cautions:

1. Remove JP5 to avoid Ethernet PHY influence.
2. Configure USB HS PHY into low-power mode (Register Address=04, bit 6 in USB PHY)

### 6.2.1.5 Clock source

Two clock sources (X1 and X2) are available on the STM32H7x3I-EVAL Evaluation board for the STM32H7x3XI, and embedded RTC. Other clock sources (X3 and X4) are used for their peripherals:

- X1, 25 MHz crystal for the STM32H7x3XI, it can be disconnected by removing R15 and R16 when internal RC clock is used
- X2, 32 kHz crystal for embedded RTC
- X3, 25 MHz crystal for Ethernet PHY
- X4, 24 MHz crystal for USB OTG2\_HS PHY

**Table 39. 25 MHz crystal X1 related solder bridges**

Solder bridge	Description
SB39	PH0 is connected to 25 MHz crystal when SB39 is OFF (Default setting).
	PH0 is connected to extension connector CN6 when SB39 is ON. In such case R15 must be removed to avoid disturbance due to the 25 MHz quartz.
SB40	PH1 is connected to 25 MHz crystal when SB40 is OFF (Default setting).
	PH1 is connected to extension connector CN6 when SB40 is ON. In such case R16 must be removed to avoid disturbance due to the 25 MHz quartz.

**Table 40. 32 kHz crystal X2 related solder bridges**

Solder bridge	Description
SB1	PC14 is connected to 32 kHz crystal when SB1 is OFF (Default setting).
	PC14 is connected to extension connector CN7 when SB1 is ON. In such case R18 must be removed to avoid disturbance due to the 32 kHz quartz.
SB4	PC15 is connected to 32 kHz crystal when SB4 is OFF (Default setting).
	PC15 is connected to extension connector CN7 when SB4 is ON. In such case R17 must be removed to avoid disturbance due to the 32 kHz quartz.

**Note:** For Ethernet clock and jumper JP5 configuration refer to Section Ethernet.

### 6.2.1.6 Reset sources

The reset signal of STM32H7x3I-EVAL Evaluation board is active low and the reset sources include:

- Reset button B1
- Debugging tools from JTAG/SWD connector CN9 and ETM trace connector CN8
- Daughterboard from CN6
- Embedded STLINK-V3E
- RS-232 connector CN2 for ISP.

**Note:** The jumper JP6 has to be ON for RESET handled by pin 8 of RS-232 connector CN2 (CTS signal).

### 6.2.1.7 Boot option

The STM32H7x3I-EVAL Evaluation board can boot from:

- Embedded user Flash
- System memory with boot loader for ISP
- Embedded SRAM for debugging

The boot option is configured by setting the switch SW1 (BOOT) and the boot base address programmed in the BOOT\_ADD0 and BOOT\_ADD1 Option Bytes. The BOOT can be also configured through the RS-232 connector CN2.

**Table 41. Boot selection switch**

Switch configuration	Boot address option bytes	Boot space
(Default setting)   SW1	BOOT_ADD0 [15:0]	CPU boot address defined by user Option Byte BOOT_ADD0[15:0] ST programmed value: Flash at 0x0800 0000.
  SW1	BOOT_ADD1 [15:0]	CPU boot address defined by user Option Byte BOOT_ADD1[15:0] ST programmed value: System bootloader at 0x0000 0000.

**Table 42. Boot related jumpers**

Jumper	Description
JP3	The Bootloader_BOOT0 is managed by pin 6 of connector CN2 (RS-232 DSR signal) when JP3 is ON. This configuration is used for bootloader application only. Default Setting: OFF

### 6.2.1.8 Audio

An audio codec WM8994ECS/R with 4 DACs and 2 ADCs inside is connected to the SAI interface of the STM32H7x3XI microcontroller to support the TDM feature on SAI port. This feature is able to implement audio recording on digital and analog microphones and audio playback of various audio streams on headphone and lineout at the same time.

It communicates with the STM32H7x3XI through I2C1 bus which is shared with LCD and MFX (Multi Function eXpander).

The analog microphone on the headset is connected to the ADC of the WM8994ECS/R through the audio jack CN17. External speakers can be connected to WM8994ECS/R through the audio jack CN19.

Two digital microphones (ST-MEMS microphones) MP34DT01TR are on the STM32H7x3I-EVAL Evaluation board. They can be connected to either an audio codec DFSDM or to the PDM port of the STM32H7x3XI, by setting the switch SW2 shown in [Table 43. Audio related switch and jumper](#). The coupon connectors CN25 and CN26 can be used to support ST-MEMS microphone STEVAL-MK129V1 after removing SB54 and SB55 solder bridges.

**Table 43. Audio related switch and jumper**

Switch/ Jumper	Description
SW2	Digital microphone is connected to the audio codec when SW2 is set as shown below (Default setting):  CODEC DFSDM PDM

Switch/ Jumper	Description
SW2	Digital microphone is connected to the DFSDM port of STM32H7x3XI when SW2 is set as shown below:  CODEC DFSDM PDM
	Digital microphone is connected to the PDM port of STM32H7x3XI when SW2 is set as shown below:  CODEC DFSDM PDM
JP12	Digital microphone power source is connected to +3.3 V power when JP12 is set as shown below (Default setting): 
	Digital microphone power source is connected to MICBIAS1 from WM8994ECS/R when JP12 is set as shown below: 

**Note:** *I<sup>2</sup>C address of WM8994ECS/R is 0b0011010.*  
*PDM clock is on PE2 and it conflicts with SAI\_CLK on PE2 by default. When PDM and SAI functions are used at the same time, SB57 must be OFF and SB56 must be ON to move SAI\_CLK to PG7.*

### 6.2.1.9 USB OTG1\_HS and FS

The STM32H7x3I-EVAL Evaluation board supports USB OTG1:

- High-speed communication through a USB Micro-AB connector (CN14), USB high-speed PHY (U13) for high-speed function
- Full-speed communication through another USB Micro-AB connector (CN16)

The Evaluation board can be powered by these USB connectors (CN14 or CN16) at 5 V DC with 500 mA current limitation.

As several OTG1\_FS signals are shared with the OTG1\_HS ULPI bus and USART1, some PCB reworks are needed when using OTG1\_FS (CN16) as shown in [Table 44. USB OTG1 and USART1 function configuration](#).

**Table 44. USB OTG1 and USART1 function configuration**

Function	Mount	Remove
OTG1_HS-CN14 (Default)	R104,R105,SB27,SB30	R254,SB48,SB28,SB29
OTG1_FS-CN16	R254,SB48,SB28,SB29 SB47,SB49	R104,R105,SB27,SB30, SB46,SB51
USART1 (Default)	SB46,SB51	SB47,SB49

A USB power switch (U14) is also connected on V<sub>BUS</sub> and provides power to either CN14 (with SB27 and SB30 ON and SB28 and SB29 OFF) or CN16 (with SB28 and SB29 ON and SB27 and SB30 open).

Green LED LD5 (for CN14) or LD7 (for CN16) lights up in one of these cases:

- Power switch (U14) is ON and the STM32H7x3I-EVAL board works as a USB host.
- V<sub>BUS</sub> is powered by another USB host when the STM32H7x3I-EVAL board works as a USB device.

The red LED LD6 lights up when an overcurrent occurs (I<sub>VBUS</sub> > 500 mA).

**Note:** *The STM32H7x3I-EVAL board should be powered by an external power supply when using OTG function.*

### 6.2.1.10 USB OTG2\_FS

The STM32H7x3I-EVAL Evaluation board supports USB OTG2 full-speed communication through a USB Micro-AB connector (CN18) and USB power switch (U18) connected to V<sub>BUS</sub>. The Evaluation board can be powered by this USB connection at 5 V DC at a current up to 500 mA.

A green LED (LD10) lights up if either one of the following events occurs:

- Power switch (U18) is ON and the STM32H7x3I-EVAL board works as a USB host.
- V<sub>BUS</sub> is powered by another USB host when the STM32H7x3I-EVAL board works as a USB device.

The red LED (LD8) lights up when an overcurrent occurs (I<sub>VBUS</sub> > 500 mA).

*Note:* The STM32H7x3I-EVAL board must be powered by an external power supply when using the OTG function.

*Note:* JP2 and SB50 must be removed when using USB OTG\_FS as mentioned in Table 46. CAN related jumpers and solder bridges.

### 6.2.1.11 RS-232

Communication through RS-232 is supported by the D-type, 9-pin connector CN2, which is connected to the USART1 of the STM32H7x3I on the STM32H7x3I-EVAL Evaluation board. The signals Bootloader\_RESET and Bootloader\_BOOT0 are added on the RS-232 connector CN2 for ISP support.

The USART1 of the STM32H7x3I is shared with the RS-232 of the STLINK-V3E controller. Connection is switched by setting JP7 and JP8.

Table 45. USART1 related jumpers

Jumper	Description
JP7	USART1_TX is connected to RS-232 when JP7 is set as shown below (Default setting): 
	USART1_TX is connected to the USART_RX of the STLINK-V3E controller when JP7 is set as shown below: 
JP8	USART1_RX is connected to RS-232 when JP8 is set as shown below (Default setting): 
	USART1_RX is connected to the USART_TX of the STLINK-V3E controller when JP8 is set as shown below: 

### 6.2.1.12 microSD™ card

The 8-Gbyte (or more) microSD™ card connected to the SDIO 3.0 port of the STM32H7x3I microcontroller is available on the Evaluation board. The detection of the microSD™ card is managed by MFX GPIO15.

IP4856CX25/C (M1) is an SD 3.0-compliant, 6-bit-bidirectional, dual-voltage-level translator. It is implemented on the STM32H7x3I-EVAL board and it supports SD 3.0, SDR104, SDR50, DDR50, SDR25, SDR12 and SD 2.0 in high-speed (50 MHz) and default-speed (25 MHz) modes.

### 6.2.1.13 External I<sup>2</sup>C connector

The I2C1 bus of the STM32H7x3I is connected to CN4 on the STM32H7x3I-EVAL. The I<sup>2</sup>C functional daughterboard can be mounted on the CN4 connector and accessed by the microcontroller through the I2C1 bus.

### 6.2.1.14 FDCAN

The STM32H7x3I-EVAL Evaluation board supports one channel of the Flexible Data Rate CAN (FDCAN) communication bus, based on the 3.3 V CAN transceiver.

The standby signal on the FDCAN transceiver is controlled by PD3 of the STM32H7x3I. Other FDCAN signals are shared with USB OTG1\_FS signals.

**Table 46. CAN related jumpers and solder bridges**

Jumper	Description
JP1	CAN terminal resistor is enabled when JP1 is ON. Default setting: OFF
JP2	PA11 is connected with FDCAN RX signal when JP2 is ON. Default setting: OFF

**6.2.1.15 Ethernet**

The STM32H7x3I-EVAL Evaluation board supports 10M/100M Ethernet communication by a PHY LAN8742A (U5) and integrated RJ45 connector (CN1). Ethernet PHY is connected to STM32H7x3XI through the RMII interface.

A 50 M reference clock can be generated by PHY with 25 MHz crystal or with 25 M MCO from STM32H7x3XI. These two resources can be selected by setting jumper JP5 as shown in [Table 47. Ethernet related jumpers](#).

**Table 47. Ethernet related jumpers**

Jumper	Description
JP5	50 M RMII reference clock is generated by an external crystal X3 when JP5 is set as shown below: (Default setting)
	50 M RMII reference clock is generated by MCO at PA8 when JP5 is set as shown below:

1 2 3  
● ● ●

1 2 3  
● ● ●

**6.2.1.16 Memories**

An 8M×32-bit SDRAM is connected to the SDRAM bank1 of the FMC interface of the STM32H7x3XI microcontroller.

A 1M×16-bit SRAM is connected to the NOR/PSRAM2 bank1 of the FMC interface and both 8-bit and 16-bit accesses are allowed by BLN0 and BLN1, connected to BLE and BHE of SRAM respectively.

A 128-Mbit NOR Flash is connected to the NOR/PSRAM1 bank1 of the FMC interface. The 16-bit operation mode is selected by pull-up resistor connected to the BYTE pin of NOR Flash memory. The write protection can be enabled or disabled, depending on how the jumper JP13 is set, as showed in [Table 48. NOR Flash related jumpers](#).

**Table 48. NOR Flash related jumpers**

Jumper	Description
JP13	Write protection is enabled when JP13 is ON while write protection is disabled when JP13 is OFF. Default Setting: OFF

All signals for memory are also connected on memory connectors CN11 and CN12 for memory daughterboards.

Limitations can happen when using other peripherals:

1. FMC addressing limitation depending on number of trace data bus used (A18 max for 4 bit ETM to A21 max for 1 bit ETM)
2. FMC addresses limited to A18 when SAI used
3. FMC addresses limited to A22 when PDM is used

In such cases, serial resistors R236 (A19), R231 (A20), R217 (A21) and R230 (A22) should be removed. Thus memory addresses A19 to A22 are not connected to FMC and they are pulled down on the board. Memories can be addressed within a limited address range.

By default, all these serial resistors are soldered on the board. If A19 is required, it is necessary to configure (SAI\_SDB) ADCDAT1 pin of audio codec WM8994ECS/R (U22) by software to be tri-state.

**6.2.1.17 Twin Quad-SPI NOR Flash memory**

The Quad-SPI Flash memory is implemented on the STM32H7x3XI microcontroller of the Evaluation board either as one Twin Quad-SPI NOR Flash memory (1-Gbit (2×512 Mb)) memory or as two Quad-SPI NOR Flash (512 Mb) memories.

The two dies in the Twin Quad-SPI Flash memory share the same clock and chip select signals of the STM32H7x3XI microcontroller.

**6.2.1.18 Analog input**

The two-pin header CN5 and 10 kΩ potentiometer RV1 is connected to PA0\_C of STM32H7x3XI as analog input. A low-pass filter can be implemented by replacing R11 and C7 with the right value of resistor and capacitor as requested by the end-user application.

**6.2.1.19 Display and input devices**

Four general-purpose-color LEDs (LD 1, 2, 3 and 4) are available as display device. LD1 and LD3 are connected on STM32H7x3XI, LD2 and LD4 are connected on MFX.

The 4-direction joystick (B4) with selection, Wakeup (B2) and Tamper/key button (B3) are available as input devices.

5.7" 640x480 TFT color LCD with capacitive touch panel is connected to the RGB LCD interface of the STM32H7x3XI microcontroller.

*Note: When using a 5.7 inch LCD, the PSU extension power supply is mandatory because of the high current consumption of this type of LCD.*

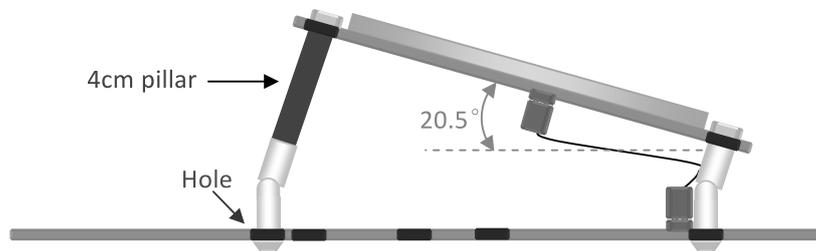
**Table 49. LCD module connector (CN20)**

Pin No.	Description	Pin connection	Pin No.	Description	Pin connection
1	GND	-	2	GND	-
3	R0	PI15	4	G0	PJ7
5	R1	PJ0	6	G1	PJ8
7	R2	PJ1	8	G2	PJ9
9	R3	PJ2	10	G3	PJ10
11	R4	PJ3	12	G4	PJ11
13	R5	PJ4	14	G5	PK0
15	R6	PJ5	16	G6	PK1
17	R7	PJ6	18	G7	PK2
19	GND	-	20	GND	-
21	B0	PJ12	22	ENB	PK7
23	B1	PJ13	24	-	-
25	B2	PJ14	26	HSYNC	PI12
27	B3	PJ15	28	VSYNC	PI13
29	B4	PK3	30	GND	-
31	B5	PK4	32	CLK	PI14
33	B6	PK5	34	GND	-
35	B7	PK6	36	RESET#	-
37	GND	-	38	I2C1_SDA	PB7
39	INT	MFX GPIO14	40	I2C1_SCL	PB6
41	-	-	42	-	-

Pin No.	Description	Pin connection	Pin No.	Description	Pin connection
43	BL_CTRL	PA6	44	-	-
45	5V	-	46	-	-
47	BLGND	-	48	-	-
49	BLGND	-	50	3.3 V	-

The orientation of the 5.7-inch LCD daughterboard can be changed by means of hinged standoffs and pillars. Refer to [Figure 43. Orientation setting of 5.7-inch LCD daughterboard](#) for details.

**Figure 43. Orientation setting of 5.7-inch LCD daughterboard**



#### 6.2.1.20 MFX (multifunction eXpander)

MFX circuit on STM32H7x3I-EVAL Evaluation board acts as IO-expander. The communication interface between MFX and STM32H7x3XI is I2C1 bus. The signals connected to MFX are listed in [Table 50. MFX signals](#).

**Table 50. MFX signals**

Pin number of MFX	Pin name of MFX	MFX functions	Function of STM32H7x3I-EVAL	Direction (for MFX)	Terminal device
15	PA5	MFX_GPIO5	Audio_INT	Input	Codec
16	PA6	MFX_GPIO6	OTG_FS2_OverCurrent	Input	USB_FS2
17	PA7	MFX_GPIO7	OTG_FS2_PowerSwitchOn	Output	USB_FS2
18	PB0	MFX_GPIO0	JOY_SEL	Input	Joystick
19	PB1	MFX_GPIO1	JOY_DOWN	Input	Joystick
20	PB2	MFX_GPIO2	JOY_LEFT	Input	Joystick
26	PB13	MFX_GPIO13	SD_LDO_SEL	Output	microSD™
27	PB14	MFX_GPIO14	TOUCH_INT	Input	LCD
28	PB15	MFX_GPIO15	MicroSDcard Detect	Input	microSD™
29	PA8	MFX_GPIO8	OTG_FS1_OverCurrent	Input	USB_FS1
30	PA9	MFX_GPIO9	OTG_FS1_PowerSwitchOn	Output	USB_FS1
31	PA10	MFX_GPIO10	-	-	-
32	PA11	MFX_GPIO11	-	-	-
33	PA12	MFX_GPIO12	-	-	-
39	PB3	MFX_GPIO3	JOY_RIGHT	Input	Joystick
40	PB4	MFX_GPIO4	JOY_UP	Input	Joystick

## 6.2.2 STM32H7x3I-EVAL Connectors (MB1246 RevE)

### 6.2.2.1 Ethernet RJ45 connector CN1

Figure 44. Ethernet RJ45 connector CN1 (front view)

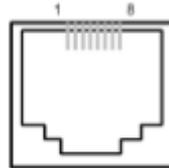


Table 51. RJ45 connector CN1

Pin number	Description	Pin number	Description
1	TxData+	2	TxData-
3	RxData+	4	Shield
5	Shield	6	RxData-
7	Shield	8	Shield

### 6.2.2.2 RS-232 connector CN2

Figure 45. RS-232 connector CN2 (front view)

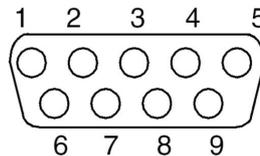


Table 52. RS-232 connector CN2 with ISP support

Pin number	Description	Pin number	Description
1	NC	6	Bootloader_BOOT0
2	RS232_RX (PB15)	7	NC
3	RS232_TX (PB14)	8	Bootloader_RESET
4	NC	9	NC
5	GND	-	-

6.2.2.3 CAN D-type, 9-pin male connector CN3

Figure 46. CAN D-type, 9-pin connector CN3 (front view)

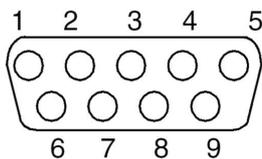


Table 53. CAN D-type 9-pin male connector CN3

Pin number	Description	Pin number	Description
1,4,8,9	NC	7	CANH
2	CANL	3,5,6	GND

6.2.2.4 External I<sup>2</sup>C connector CN4

Figure 47. I<sup>2</sup>C EXT connector CN4 (front view)

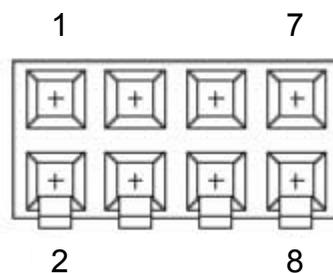
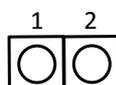


Table 54. I<sup>2</sup>C EXT connector CN4

Pin number	Description	Pin number	Description
1	I2C1_SDA (PB7)	5	+3.3 V
2	NC	6	NC
3	I2C1_SCL (PB6)	7	GND
4	RESET (PA4)	8	NC

6.2.2.5 Analog input-output connector CN5

Figure 48. Analog input-output connector CN5 (top view)



**Table 55. Analog input-output connector CN5**

Pin number	Description	Pin number	Description
1	analog input-output (PA0_C)	2	GND

**6.2.2.6 Daughterboard extension connector CN6 and CN7**

Two 60-pin male headers CN6 and CN7 can be used to connect a daughterboard or a standard wrapping board to the STM32H7x3I-EVAL Evaluation board. All GPI/Os are available on CN6 and CN7 and memory connectors on CN11 and CN12.

The space between these two connectors is defined as a standard that allows developing common daughterboards for several ST evaluation boards. The standard width between CN6 pin1 and CN7 pin1 is 2700 mils (68.58 mm).

Each pin on CN6 and CN7 can be used by a daughterboard after disconnecting it from the corresponding function block on STM32H7x3I-EVAL Evaluation board. For details refer to [Table 56. Daughterboard extension connector CN6](#) and [Table 57. Daughterboard extension connector CN7](#).

**Table 56. Daughterboard extension connector CN6**

Pin	Description	Alternative function	How to disconnect with function block on STM32H7x3I-EVAL board
1	PC0	ULPI_STP	Remove R124
3	PH0	OSC_IN	Remove R15, Close SB39
5	RESET#	-	-
7	PI11	ULPI_DIR	Remove R123
9	PB5	ULPI_D7	Remove R101
11	PF8	QSPI_BK1_IO0	Remove R38
13	PG14	QSPI_BK2_IO3	Remove R27
15	PH3	QSPI_BK2_IO1	Remove R28
17	PH2	QSPI_BK2_IO0	Remove R52
19	PA4	EXT_RESET/LED3	Disconnect CN4, Remove R296
21	PA3	ULPI_D0	Remove R114
23	PF9	QSPI_BK1_IO1	Remove R32
25	PA6	GPIO_LCD_BL_CTRL	Disconnect CN15
27	PC4	RMII_RXD0	Remove R41
29	PB0	ULPI_D1	Remove R113
31	PB1	ULPI_D2	Remove R111
33	PJ3	RGB_LCD_R4	Disconnect CN20
35	PA1	RMII_RX_CLK	Remove R31
37	PC3	DFSDM_DATA1	Not to dial SW2 to the middle
39	GND	-	-
41	PJ1	RGB_LCD_R2	Disconnect CN20
43	PJ0	RGB_LCD_R1	Disconnect CN20
45	PB14	USART1_TX/USB_FS1_DM	Open SB46, SB47
47	PB15	USART1_RX/USB_FS1_DP	Open SB49, SB51
49	D5V	-	-
51	PB11	ULPI_D4	Remove R109
53	PJ7	RGB_LCD_G0	Remove R24, Disconnect CN20

Pin	Description	Alternative function	How to disconnect with function block on STM32H7x3I-EVAL board
55	PJ6	RGB_LCD_R7	Disconnect CN20
57	PG6	QSPI_BK1_NCS	Open SB6, Remove R19
59	GND	-	-
2	PC1	RMII_MDC/ PDM1_D1	Open SB38, not to dial SW2 to the right
4	PF7	QSPI_BK1_IO2	Remove R36
6	PH1	OSC_OUT	Remove R16
8	PF6	QSPI_BK1_IO3	Remove R26
10	GND	-	-
12	PC2_C	-	-
14	PC3_C	-	-
16	PA0_C	Potentiometer	Open SB43
18	PA1_C	-	-
20	GND	-	-
22	PA5	ULPI_CK	Remove R118
24	PB2	QSPI_CLK	-
26	PH4	ULPI_NXT	Remove R117
28	PC5	RMII_RXD1	Remove R39
30	GND	-	-
32	PG9	QSPI_BK2_IO2	Remove R33
34	PA7	RMII_CRS_DV	Remove R44
36	PJ4	RGB_LCD_R5	Disconnect CN20
38	PI15	RGB_LCD_R0	Disconnect CN20
40	PJ2	RGB_LCD_R3	Disconnect CN15, CN20
42	PJ5	RGB_LCD_R6	Disconnect CN20
44	PB13	ULPI_D6/USB_FS1_VBUS	Remove R104, R254
46	PB12	ULPI_D5/USB_FS1_ID	Remove R105, Open SB48
48	+3V3	-	-
50	GND	-	-
52	PB10	ULPI_D3	Remove R109
54	PJ8	RGB_LCD_G1	Disconnect CN20
56	PJ9	RGB_LCD_G2	Disconnect CN20
58	PJ10	RGB_LCD_G3	Disconnect CN20
60	+5V	-	-

**Table 57. Daughterboard extension connector CN7**

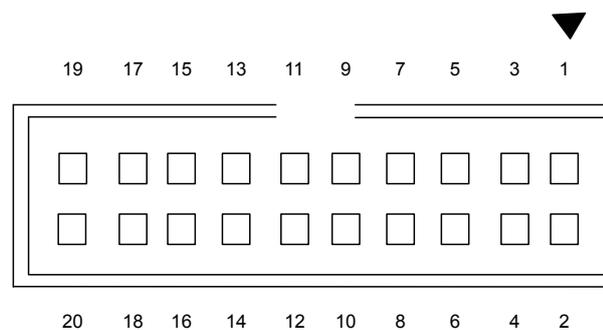
Pin	Description	Alternative function	How to disconnect with function block on STM32H7x3I-EVAL board
1	PF10	LED1	Remove R286, Disconnect CN15, Remove R294
3	PC15	OSC32_OUT	Remove R17, Close SB4
5	PI14	RGB_LCD_CLK	Disconnect CN20

Pin	Description	Alternative function	How to disconnect with function block on STM32H7x3I-EVAL board
7	PI13	RGB_LCD_VSYNC	Disconnect CN20
9	PC13	KEY_TAMP_1/WKUP2	Remove R193
11	PB8	SDIO_1_CKIN	Remove R161
13	PK7	RGB_LCD_DE	Disconnect CN20
15	PB3	JTDO/TRACESWO	Remove R60
17	PK6	RGB_LCD_B7	Remove R199, Disconnect CN20
19	GND	-	-
21	PK4	RGB_LCD_B5	Remove R201, Disconnect CN20
23	PK3	RGB_LCD_B4	Remove R202, Disconnect CN20
25	PG13	RMII_TXD0	-
27	PA0	KEY_WKUP0	Remove R173, R203
29	PJ15	RGB_LCD_B3	Disconnect CN20
31	PJ11	RGB_LCD_G4	Disconnect CN20
33	PC12	SDIO_1_CK	Add R139 10 kΩ and remove R83
35	PA15	JTDI/CEC	Remove R61, Disconnect CN15
37	PG11	RMII_TX_EN	-
39	GND	-	-
41	PD2	SDIO_1_CMD	Add R139 10 kΩ
43	PA13	JTMS-SWDIO	Remove R55
45	PC6	SDIO_1_D0DIR	Add R139 10 kΩ and remove SB58
47	PA10	USB_FS2_ID	Disconnect CN18
49	D5V	-	-
51	PG7	SAI_1_MCLK_A	Remove SB56 and SB62
53	PC9	SDIO_1_D1	Add R139 10 kΩ
55	PK0	RGB_LCD_G5	Disconnect CN20
57	PK1	RGB_LCD_G6	Disconnect CN20
59	GND	-	-
2	PC2	DFSDM_CKOUT	Not to dial SW2 to the left
4	PC14	OSC32_IN	Remove R18, Close SB1
6	PI12	RGB_LCD_HSYNC	Disconnect CN20
8	PA2	RMII_MDIO	Remove R47
10	GND	-	-
12	PI8	GPIO_EXPANDER_INT	Remove R185
14	PB9	SDIO_1_CDIR	Add R139 10 kΩ and remove R91
16	PB7	I2C_1_SDA	Remove R160, R181, R209, Disconnect CN4, CN15, CN20
18	PB6	I2C_1_SCL	Remove R155, R180, R212, Disconnect CN4, CN15, CN20
20	PB4	NJTRST	Remove R79
22	PK5	RGB_LCD_B6	Remove R200, Disconnect CN20
24	PJ13	RGB_LCD_B1	Disconnect CN20
26	PG12	RMII_TXD1	-

Pin	Description	Alternative function	How to disconnect with function block on STM32H7x3I-EVAL board
28	PJ14	RGB_LCD_B2	Disconnect CN20
30	GND	-	-
32	PJ12	RGB_LCD_B0	Remove R25, Disconnect CN20
34	PD3	GPIO_CAN_STBY	Remove R4
36	PC10	SDIO_1_D2	Add R139 10 kΩ
38	PA14	JTCK-SWCLK	Remove R59
40	PC11	SDIO_1_D3	Add R139 10 kΩ and open SB45
42	PC7	SDIO_1_D123DIR	Add R139 10 kΩ and remove R92
44	PC8	SDIO_1_D0	Add R139 10 kΩ
46	PA9	USB_FS2_VBUS	Remove R255
48	+3.3V	-	-
50	GND	-	-
52	PA8	MCO1	Disconnect CN15 and keep JP5 OFF
54	PA11	USB_FS2_DM/ FDCAN_1_RXFD	Keep JP2 OFF and open SB59
56	PA12	USB_FS2_DP/ FDCAN_1_TXFD	Open SB50 and SB60
58	PK2	RGB_LCD_G7	Disconnect CN20
60	+5V	-	-

### 6.2.2.7 ETM trace debugging connector CN8

**Figure 49. ETM trace debugging connector CN8 (top view)**



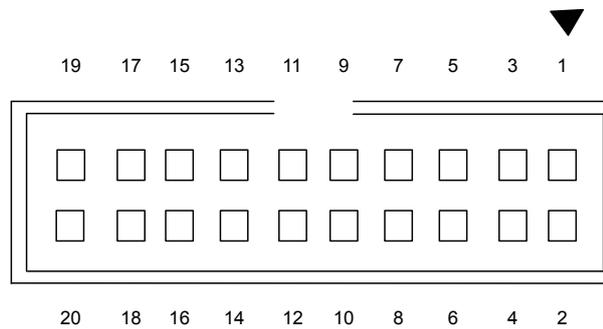
**Table 58. ETM trace debugging connector CN8**

Pin number	Description	Pin number	Description
1	+3.3V	2	TMS/PA13
3	GND	4	TCK/PA14
5	GND	6	TDO/PB3
7	KEY	8	TDI/PA15
9	GND	10	RESET#
11	GND	12	TraceCLK/PE2

Pin number	Description	Pin number	Description
13	GND	14	TraceD0/PE3 or SWO/PB3
15	GND	16	TraceD1/PE4 or nTRST/PB4
17	GND	18	TraceD2/PE5
19	GND	20	TraceD3/PE6

**6.2.2.8 JTAG/SWD connector CN9**

**Figure 50. JTAG/SWD debugging connector CN9 (top view)**



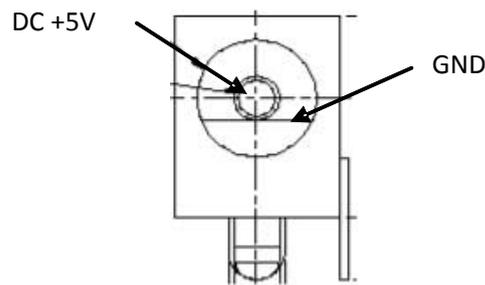
**Table 59. JTAG/SWD debugging connector CN9**

Pin number	Description	Pin number	Description
1	+3.3V	2	+3.3V
3	TRST(PB4)	4	GND
5	TDI(PA15)	6	GND
7	TMS/SWDIO(PA13)	8	GND
9	TCK/SWCLK(PA14)	10	GND
11	RTCK	12	GND
13	TDO/SWO(PB3)	14	GND
15	RESET#	16	GND
17	DBGREQ(PJ7)	18	GND
19	DBGACK(PJ12)	20	GND

### 6.2.2.9 Power connector CN10

The STM32H7x3I-EVAL Evaluation board can be powered from a DC 5 V power supply through the external power supply jack (CN10) shown in Figure 51. Power supply connector CN10 (front view). The central pin of CN10 must be positive.

Figure 51. Power supply connector CN10 (front view)



### 6.2.2.10 Memory connector CN11 and CN12

Two 40-pin male headers CN11 and CN12 are used to connect with memory daughterboard.

All GPIOs are connected on the extension connectors CN6 and CN7, but the GPIOs which are used for FMC memory signals, are connected on CN11 and CN12.

The space between these two connectors is defined as a standard that allows to develop common daughterboard. The standard width between CN11 pin1 and CN12 pin1 is 1914 mils (48.62 mm). For details on signals assignment refer to Table 60. Memory connector CN11 and Table 61. Memory connector CN12.

Table 60. Memory connector CN11

Pin	Description	Alternative function	How to disconnect with function block on STM32H7x3I-EVAL board
1	PH6	SDNE1	-
3	PF13	A7	-
5	PF12	A6	-
7	PG1	A11	-
9	GND	-	-
11	PE7	D4	-
13	PE10	D7	-
15	PE12	D9	-
17	PE15	D12	-
19	PE13	D10	-
21	PD11	A16	-
23	PD12	A17	-
25	PG5	A15/BA1	-
27	PH11	D19	-
29	GND	-	-
31	PD13	A18	-
33	PG2	A12	-
35	PD8	D13	-

Pin	Description	Alternative function	How to disconnect with function block on STM32H7x3I-EVAL board
37	PD9	D14	-
39	PD14	D0	-
2	PH5	SDNWE	-
4	PF14	A8	-
6	PG0	A10	-
8	PF11	SDNRAS	-
10	GND	-	-
12	PE9	D6	-
14	PE8	D5	-
16	PE11	D8	-
18	PF15	A9	-
20	PE14	D11	-
22	PH8	D16	-
24	PH10	D18	-
26	PH9	D17	-
28	PG4	A14/BA0	-
30	GND	-	-
32	PH12	D20	-
34	PG3	A13	-
36	PD10	D15	-
38	PD15	D1	-
40	PG8	SDCLK	-

**Table 61. Memory connector CN12**

Pin	Description	Alternative function	How to disconnect with function block on STM32H7x3I-EVAL board
1	PF5	A5	-
3	PF4	A4	-
5	PF3	A3	-
7	PE6	A22/SAI1_SD_A/TRACED3	Open SB2, SB3
9	GND	-	-
11	PE4	A20/SAI1_FS_A/TRACED1	Open SB5, SB7
13	PE3	A19/SAI1_SD_B/TRACED0	Open SB8, SB9
15	PI5	NBL3	-
17	PI4	NBL2	-
19	PG15	SDNCAS	-
21	PI10	D31	-
23	PE1	NBL1	-
25	PE0	NBL0	-
27	PG10	NE3	-

Pin	Description	Alternative function	How to disconnect with function block on STM32H7x3I-EVAL board
29	GND	-	-
31	PD0	D2	-
33	PI2	D26	-
35	PI1	D25	-
37	PI0	D24	-
39	PH13	D21	-
2	PH7	SDCKE1	-
4	PE5	A21/SAI1_SCK_A/TRACED2	Open SB41, SB42
6	PD6	NWAIT	-
8	PF2	A2	-
10	GND	-	-
12	PF1	A1	-
14	PF0	A0	-
16	PE2	A23/PDM1_CK1/ SAI1_MCLK_A /TRACECLK	Open SB11, SB15, SB57
18	PI7	D29	-
20	PI9	D30	-
22	PI6	D28	-
24	PD7	NE1	-
26	PD5	NWE	-
28	PD4	NOE	-
30	GND	-	-
32	PD1	D3	-
34	PI3	D27	-
36	PH15	D23	-
38	PH14	D22	-
40	+3.3V	-	-

6.2.2.11 *microSD™ connector CN13*

Figure 52. microSD™ connector (top view)

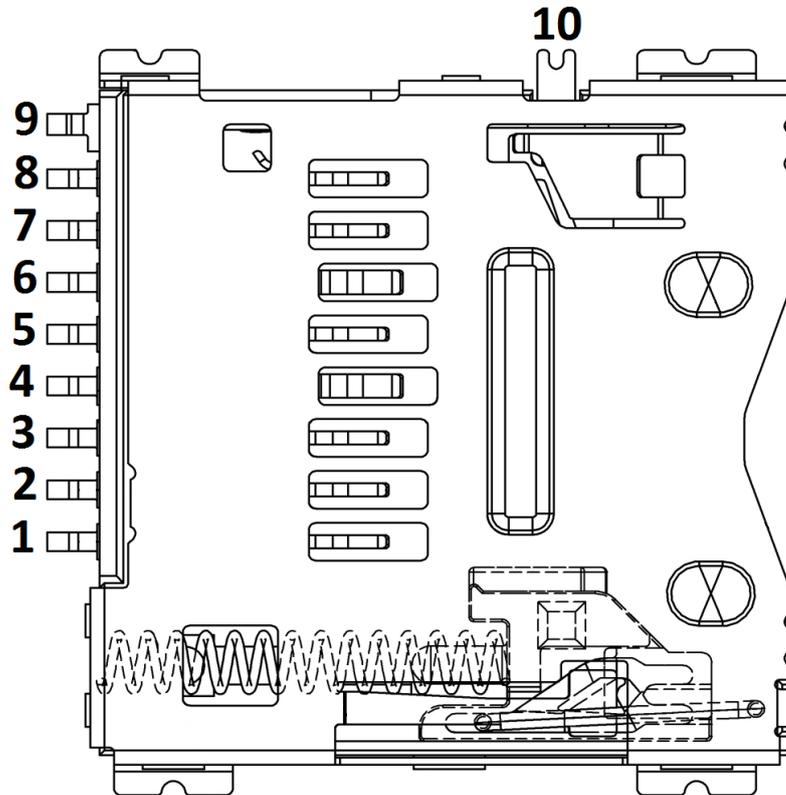
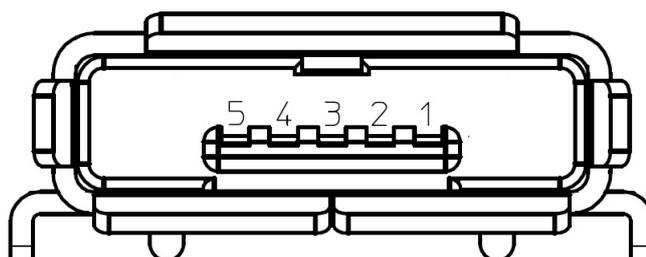


Table 62. microSD™ connector CN13

Pin number	Description	Pin number	Description
1	SD_DATA2	6	Vss/GND
2	SD_DATA3	7	SD_DATA0
3	SD_CMD	8	SD_DATA1
4	+2.9V_SD	9	GND
5	SD_CLK	10	MicroSDcard_detect (MFX GPIO15)

6.2.2.12 *USB OTG1\_HS Micro-AB connector CN14*

Figure 53. USB OTG1\_HS Micro-AB connector CN14 (front view)

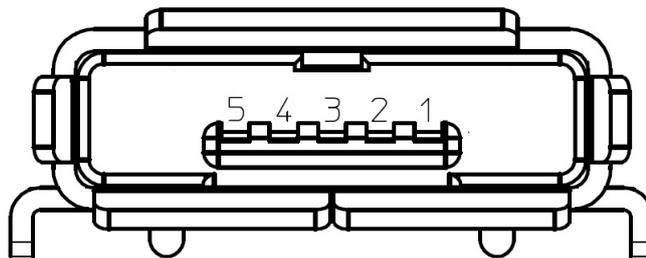


**Table 63. USB OTG1\_HS Micro-AB connector CN14**

Pin number	Description	Pin number	Description
1	V <sub>BUS</sub>	4	ID
2	D-	5	GND
3	D+	-	-

**6.2.2.13 USB OTG1\_FS Micro-AB connector CN16**

**Figure 54. USB OTG1\_FS Micro-AB connector CN16 (front view)**



**Table 64. USB OTG1\_FS Micro-AB connector CN16**

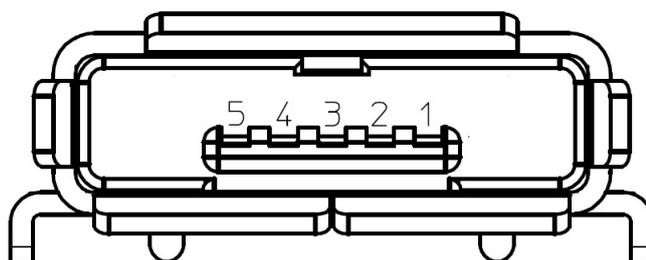
Pin number	Description	Pin number	Description
1	V <sub>BUS</sub> (PB13)	4	ID (PB12)
2	D- (PB14)	5	GND
3	D+ (PB15)	-	-

**6.2.2.14 Audio jack CN17**

A 3.5 mm stereo audio jack CN17 is available on the STM32H7x3I-EVAL Evaluation board to support headset (headphone and microphone integrated).

**6.2.2.15 USB OTG2\_FS Micro-AB connector CN18**

**Figure 55. USB OTG2\_FS Micro-AB connector CN18 (front view)**



**Table 65. USB OTG2\_FS Micro-AB connector CN18**

Pin number	Description	Pin number	Description
1	V <sub>BUS</sub> (PA9)	4	ID (PA10)
2	D- (PA11)	5	GND
3	D+ (PA12)	-	-

**6.2.2.16 Audio jack (speaker) CN19**

A 3.5 mm stereo audio jack CN19 for speaker out is available on the STM32H7x3I-EVAL Evaluation board to support an external speaker.

**6.2.2.17 TFT LCD connector CN20**

A TFT-color LCD board is mounted on CN20. Refer to Section *Display and input devices* for details.

**6.2.2.18 STLINK-V3E programming connector CN21**

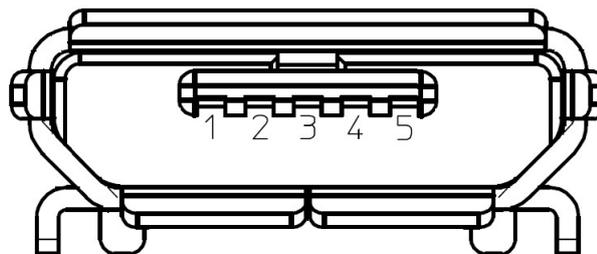
The connector CN21 is used only for embedded STLINK-V3E programming during board manufacturing. It is not populated by default and not for end users.

**6.2.2.19 MFX programming connector CN22**

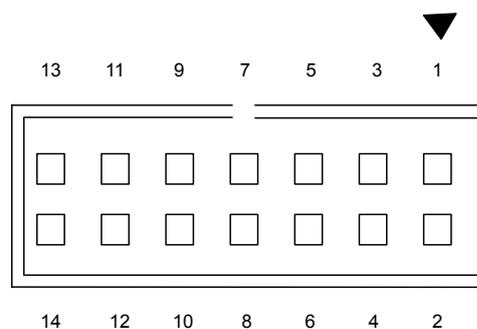
The connector CN22 is used only for MFX (Multifunction eXpander) programming during board manufacturing. It is not populated by default and not for end users.

**6.2.2.20 STLINK-V3E USB Micro-B connector CN23**

The USB Micro-B connector CN23 is used to connect the embedded STLINK-V3E to a PC for programming and debugging purposes.

**Figure 56. USB Micro-B connector CN23 (front view)**

**Table 66. USB Micro-B connector CN23 (front view)**

Pin number	Description	Pin number	Description
1	V <sub>BUS</sub> (power)	4	ID
2	DM	5	GND
3	DP	-	-

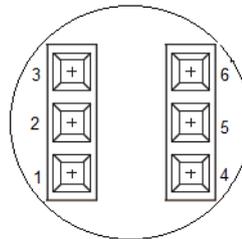
**6.2.2.21 STDC14 debugging connector CN24**
**Figure 57. STDC14 debugging connector CN24 (top view)**


**Table 67. STDC14 debugging connector CN24**

Pin number	Description	Pin number	Description
1	NC	2	NC
3	+3.3V	4	SWDIO-TMS /PA13
5	GND	6	SWCLK-TCK /PA14
7	GND	8	SWO-TDO/PB3
9	KEY	10	TDI/PA15
11	GNDDetect	12	RESET#
13	VCP_USART_RX /PB14	14	VCP_USART_TX /PB15

**6.2.2.22 MEMS microphone coupon connectors CN25 and CN26**

**Figure 58. MEMS microphone coupon connectors CN25 and CN26 (top view)**



**Table 68. MEMS microphone coupon connectors CN25 and CN26**

Pin number	Description	Pin number	Description
1	DATA	4	V <sub>DD</sub>
2	GND	5	L/R
3	CLK	6	NC

**6.2.3 STM32H7x3I-EVAL RevE I/O assignment**

**Table 69. STM32H7x3I-EVAL RevE I/O assignment**

Pin No.	Pin Name	Default function	Alternative function
N5	PA0-WKUP	KEY_WKUP0	-
N4	PA1	RMII_REF_CLK	-
N3	PA2	RMII_MDIO	-
U2	PA3	ULPI_D0	-
U3	PA4	EXT_RESET/LED3	-
T3	PA5	ULPI_CK	-
R3	PA6	GPIO_LCD_BACKLIGHT_CTRL	-
R5	PA7	RMII_CRS_DV	-
E15	PA8	MCO1	-
D15	PA9	USB_FS2_VBUS	-

Pin No.	Pin Name	Default function	Alternative function
D14	PA10	USB_FS2_ID	-
E17	PA11	USB_FS2_DM	FDCAN_1_RXFD
E16	PA12	USB_FS2_DP	FDCAN_1_TXFD
C15	PA13	JTMS-SWDIO	-
B14	PA14	JTCK-SWCLK	-
A14	PA15	JTDI	CEC
U5	PB0	ULPI_D1	-
T5	PB1	ULPI_D2	-
R6	PB2	QSPI_CLK	-
C6	PB3	JTDO/TRACESWO	-
B7	PB4	NJTRST	-
A5	PB5	ULPI_D7	-
B5	PB6	I2C_1_SCL	-
C5	PB7	I2C_1_SDA	-
D5	PB8	SDIO_1_CKIN	-
D4	PB9	SDIO_1_CDIR	-
P11	PB10	ULPI_D3	-
P12	PB11	ULPI_D4	-
T14	PB12	ULPI_D5	USB_FS1_ID
U14	PB13	ULPI_D6	USB_FS1_VBUS
U15	PB14	USART1_TX	USB_FS1_DM
T15	PB15	USART1_RX	USB_FS1_DP
L2	PC0	ULPI_STP	-
M2	PC1	RMII_MDC	PDM1_D1
M3	PC2	DFSDM_CKOUT	-
M4	PC3	DFSDM_DATA1	-
T4	PC4	RMII_RXD0	-
U4	PC5	RMII_RXD1	-
F14	PC6	SDIO_1_D0DIR	-
F13	PC7	SDIO_1_D123DIR	-
E13	PC8	SDIO_1_D0	-
E14	PC9	SDIO_1_D1	-
A13	PC10	SDIO_1_D2	-
B13	PC11	SDIO_1_D3	-
C12	PC12	SDIO_1_CK	-
E3	PC13-ANTI_TAMP	KEY_TAMP_1/WKUP2	-
C2	PC14-OSC32_IN	OSC32_IN	-
C1	PC15-OSC32_OUT	OSC32_OUT	-
D13	PD0	FMC_D2	-
E12	PD1	FMC_D3	-

Pin No.	Pin Name	Default function	Alternative function
D12	PD2	SDIO_1_CMD	-
B12	PD3	GPIO_CAN_STANDBY	-
A12	PD4	FMC_NOE	-
A11	PD5	FMC_NWE	-
B11	PD6	FMC_NWAIT	-
C11	PD7	FMC_NE1	-
U16	PD8	FMC_D13	-
T17	PD9	FMC_D14	-
T16	PD10	FMC_D15	-
R15	PD11	FMC_A16	-
R16	PD12	FMC_A17	-
R17	PD13	FMC_A18	-
P16	PD14	FMC_D0	-
P15	PD15	FMC_D1	-
C4	PE0	FMC_NBL0	-
B4	PE1	FMC_NBL1	-
C3	PE2	PDM1_CK1	FMC_A23/TRACECLK/ SAI_1_MCLK_A
D3	PE3	SAI1_SD_B	FMC_A19/TRACED0
D2	PE4	SAI1_FS_A	FMC_A20/TRACED1
D1	PE5	SAI1_SCK_A	FMC_A21/TRACED2
E5	PE6	SAI1_SD_A	FMC_A22/TRACED3
U9	PE7	FMC_D4	-
T9	PE8	FMC_D5	-
P9	PE9	FMC_D6	-
N9	PE10	FMC_D7	-
P10	PE11	FMC_D8	-
R10	PE12	FMC_D9	-
T10	PE13	FMC_D10	-
U10	PE14	FMC_D11	-
R11	PE15	FMC_D12	-
G4	PF0	FMC_A0	-
G3	PF1	FMC_A1	-
G1	PF2	FMC_A2	-
H4	PF3	FMC_A3	-
J5	PF4	FMC_A4	-
J4	PF5	FMC_A5	-
K2	PF6	QSPI_BK1_IO3	-
K3	PF7	QSPI_BK1_IO2	-
K4	PF8	QSPI_BK1_IO0	-
L4	PF9	QSPI_BK1_IO1	-

Pin No.	Pin Name	Default function	Alternative function
L3	PF10	LED1	-
T7	PF11	SDR_SDNRAS	-
R7	PF12	FMC_A6	-
P7	PF13	FMC_A7	-
P8	PF14	FMC_A8	-
R9	PF15	FMC_A9	-
T8	PG0	FMC_A10	-
U8	PG1	FMC_A11	-
H16	PG2	FMC_A12	-
H15	PG3	FMC_A13	-
H14	PG4	FMC_A14 / SDR_BA0	-
G14	PG5	FMC_A15 / SDR_BA1	-
G15	PG6	QSPI_BK1_NCS	-
F16	PG7	SAI_1_MCLK_A	-
F15	PG8	SDR_SDCLK	-
A10	PG9	QSPI_BK2_IO2	-
A9	PG10	FMC_NE3	-
B9	PG11	RMII_TX_EN	-
C9	PG12	RMII_TXD1	-
D9	PG13	RMII_TXD0	-
D8	PG14	QSPI_BK2_IO3	-
D6	PG15	SDR_SDNCAS	-
J2	PH0 - OSC_IN	OSC_IN	-
J1	PH1 - OSC_OUT	OSC_OUT	-
N2	PH2	QSPI_BK2_IO0	-
P2	PH3	QSPI_BK2_IO1	-
P3	PH4	ULPI_NXT	-
P4	PH5	SDR_SDNWE	-
T11	PH6	SDR_SDNE1	-
U13	PH7	SDR_SDCKE1	-
T13	PH8	FMC_D16	-
R13	PH9	FMC_D17	-
P13	PH10	FMC_D18	-
P14	PH11	FMC_D19	-
R14	PH12	FMC_D20	-
D16	PH13	FMC_D21	-
B17	PH14	FMC_D22	-
B16	PH15	FMC_D23	-
A16	PI0	FMC_D24	-
A15	PI1	FMC_D25	-

Pin No.	Pin Name	Default function	Alternative function
B15	PI2	FMC_D26	-
C14	PI3	FMC_D27	-
A4	PI4	FMC_NBL2	-
A3	PI5	FMC_NBL3	-
A2	PI6	FMC_D28	-
B3	PI7	FMC_D29	-
E4	PI8- ANTI TAMP2	GPIO_EXPANDER_INT	-
E2	PI9	FMC_D30	-
F3	PI10	FMC_D31	-
F4	PI11	ULPI_DIR	-
H1	PI12	RGB_LCD_HSYNC	-
H2	PI13	RGB_LCD_VSYNC	-
H3	PI14	RGB_LCD_CLK	-
P5	PI15	RGB_LCD_R0	-
N6	PJ0	RGB_LCD_R1	-
P6	PJ1	RGB_LCD_R2	-
T6	PJ2	RGB_LCD_R3	-
U6	PJ3	RGB_LCD_R4	-
U7	PJ4	RGB_LCD_R5	-
R12	PJ5	RGB_LCD_R6	-
N15	PJ6	RGB_LCD_R7	-
N14	PJ7	RGB_LCD_G0	-
N13	PJ8	RGB_LCD_G1	-
M14	PJ9	RGB_LCD_G2	-
L14	PJ10	RGB_LCD_G3	-
K14	PJ11	RGB_LCD_G4	-
D11	PJ12	RGB_LCD_B0	-
E10	PJ13	RGB_LCD_B1	-
D10	PJ14	RGB_LCD_B2	-
B10	PJ15	RGB_LCD_B3	-
J14	PK0	RGB_LCD_G5	-
J15	PK1	RGB_LCD_G6	-
H17	PK2	RGB_LCD_G7	-
C8	PK3	RGB_LCD_B4	-
B8	PK4	RGB_LCD_B5	-
A8	PK5	RGB_LCD_B6	-
C7	PK6	RGB_LCD_B7	-
D7	PK7	RGB_LCD_DE	-
T1	PA0_C	Potentiometer	-
T2	PA1_C	-	-

Pin No.	Pin Name	Default function	Alternative function
R1	PC2_C	-	-
R2	PC3_C	-	-

#### 6.2.4 STM32H7x3I-EVAL RevE electrical schematics

This section provides the design schematics for the STM32H7x3I-EVAL RevE Evaluation board:

- Overall schematics for the STM32H7x3I-EVAL (see [Figure 59. STM32H7x3I-EVAL RevE Evaluation board](#))
- STM32H7x3I-EVAL MCU (see [Figure 60. STM32H7x3I-EVAL RevE MCU](#))
- Power (see [Figure 61. STM32H7x3I-EVAL RevE power](#))
- SRAM, Flash and SDRAM (see [Figure 62. STM32H7x3I-EVAL RevE SRAM, Flash and SDRAM](#))
- Audio (see [Figure 63. STM32H7x3I-EVAL RevE audio](#))
- LCD (see [Figure 64. STM32H7x3I-EVAL RevE LCD connectors](#))
- Ethernet (see [Figure 65. STM32H7x3I-EVAL RevE Ethernet](#))
- USB OTG\_HS (see [Figure 66. STM32H7x3I-EVAL RevE USB OTG\\_HS](#))
- USB OTG\_FS (see [Figure 67. STM32H7x3I-EVAL RevE USB OTG\\_FS](#))
- RS-232 (see [Figure 68. STM32H7x3I-EVAL RevE RS-232](#))
- FDCAN and Quad-SPI (see [Figure 69. STM32H7x3I-EVAL RevE FDCAN and Q-SPI](#))
- microSD™ (see [Figure 70. STM32H7x3I-EVAL RevE microSD™ 3.0 card](#))
- Peripherals (see [Figure 71. STM32H7x3I-EVAL RevE peripherals](#))
- Extension connectors (see [Figure 72. STM32H7x3I-EVAL RevE extension connectors](#))
- STLINK-V3E (see [Figure 73. STM32H7x3I-EVAL RevE STLINK-V3E](#))
- MFX (see [Figure 74. STM32H7x3I-EVAL RevE MFX](#))
- JTAG and trace (see [Figure 75. STM32H7x3I-EVAL RevE JTAG and trace](#))
- 5.7" LCD board (see [Figure 76. STM32H7x3I-EVAL RevE 5.7" LCD board](#))

Figure 59. STM32H7x3I-EVAL RevE Evaluation board

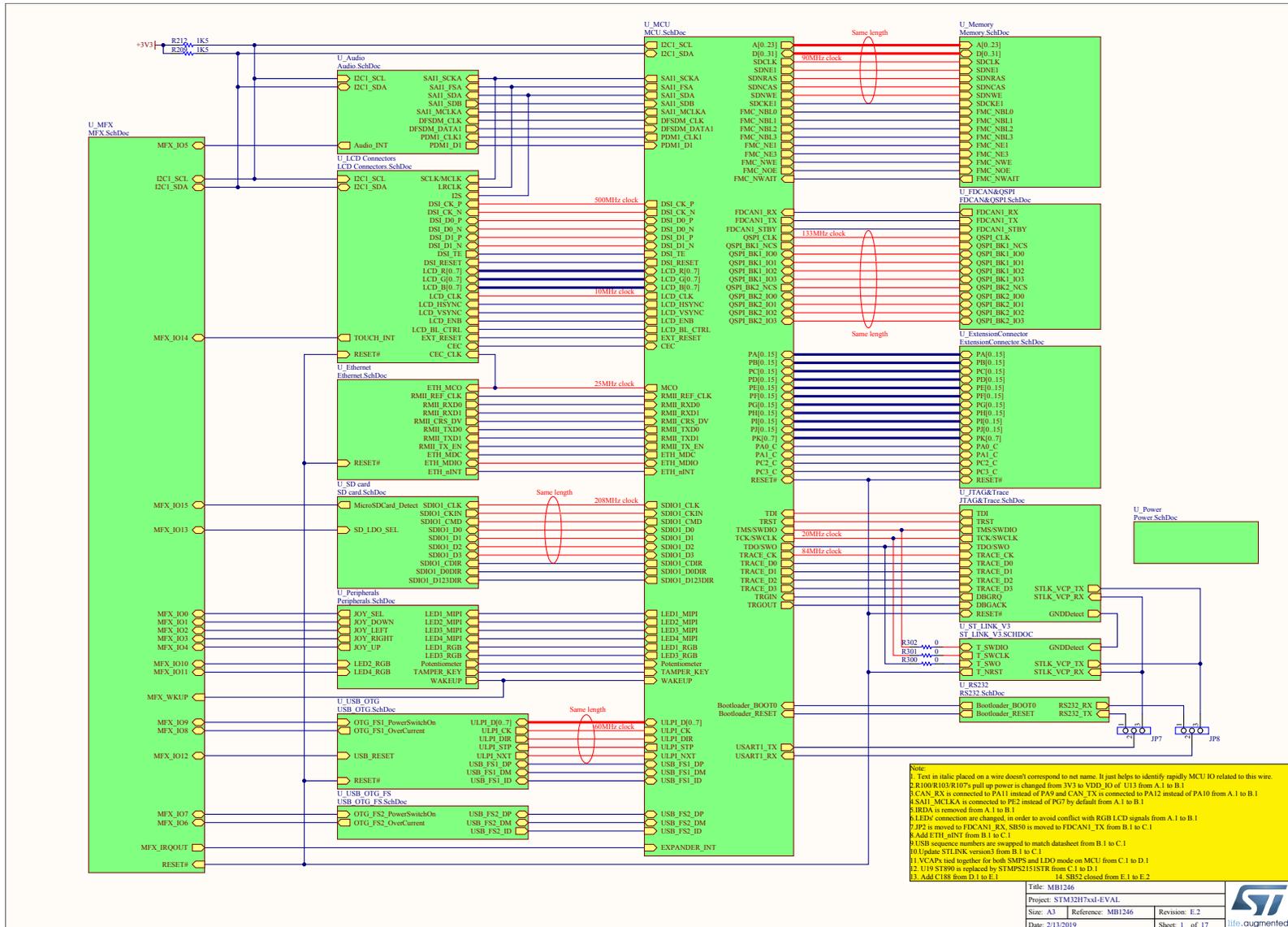




Figure 61. STM32H7x3I-EVAL RevE power

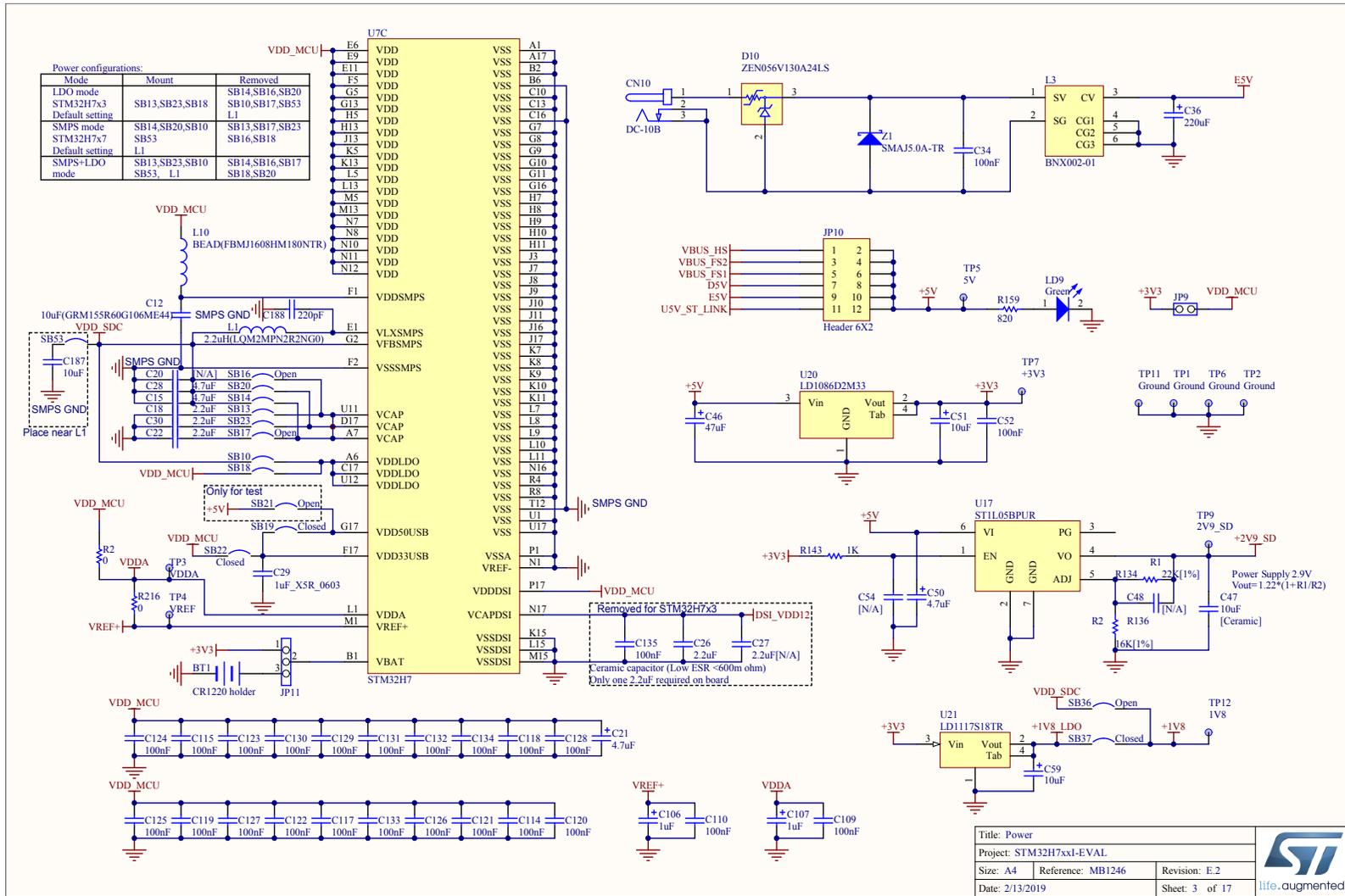
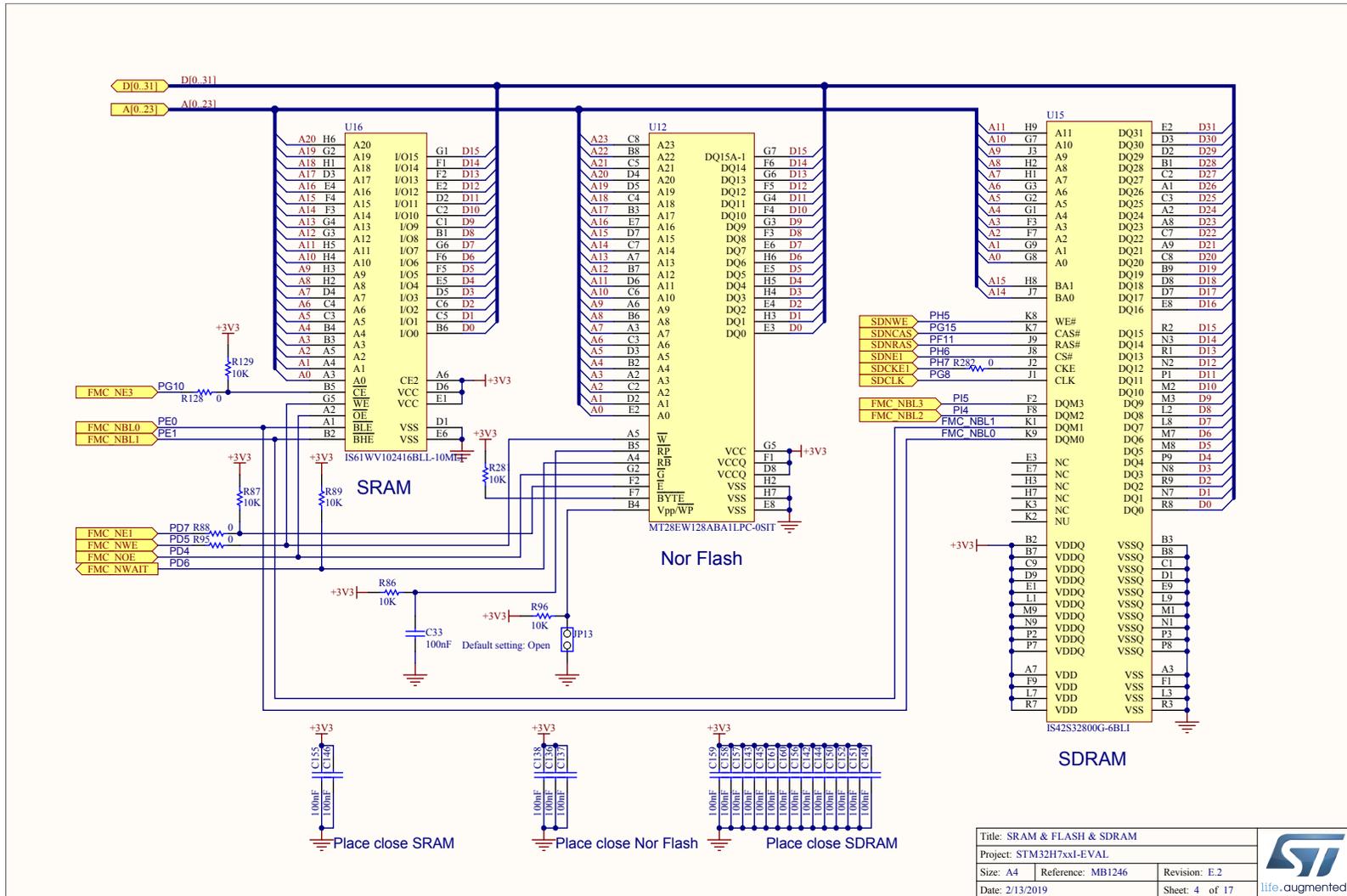


Figure 62. STM32H7x3I-EVAL RevE SRAM, Flash and SDRAM



Title: SRAM & FLASH & SDRAM		
Project: STM32H7xxI-EVAL		
Size: A4	Reference: MB1246	Revision: E.2
Date: 2/13/2019	Sheet: 4 of 17	





Figure 64. STM32H7x3I-EVAL RevE LCD connectors

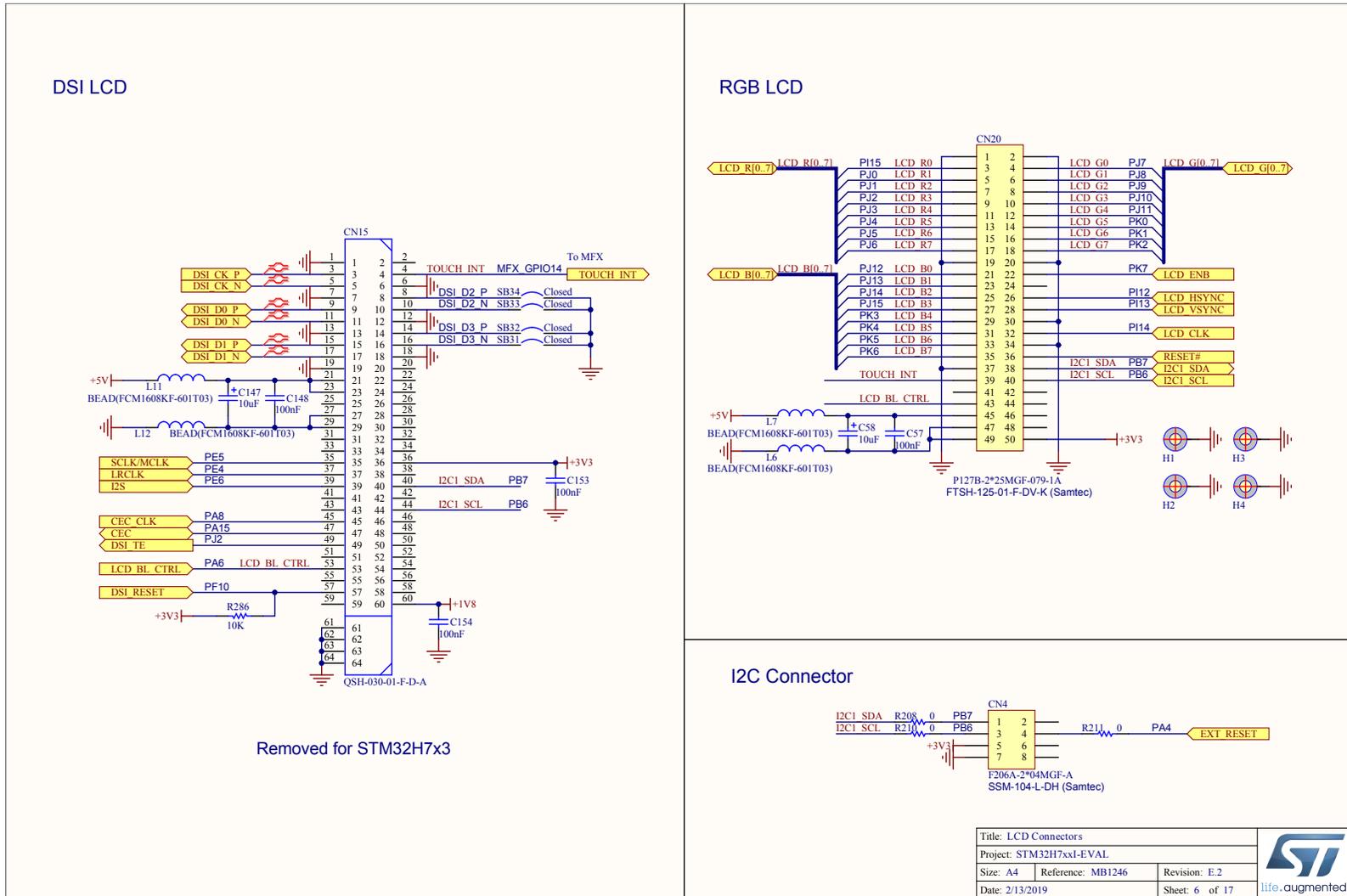
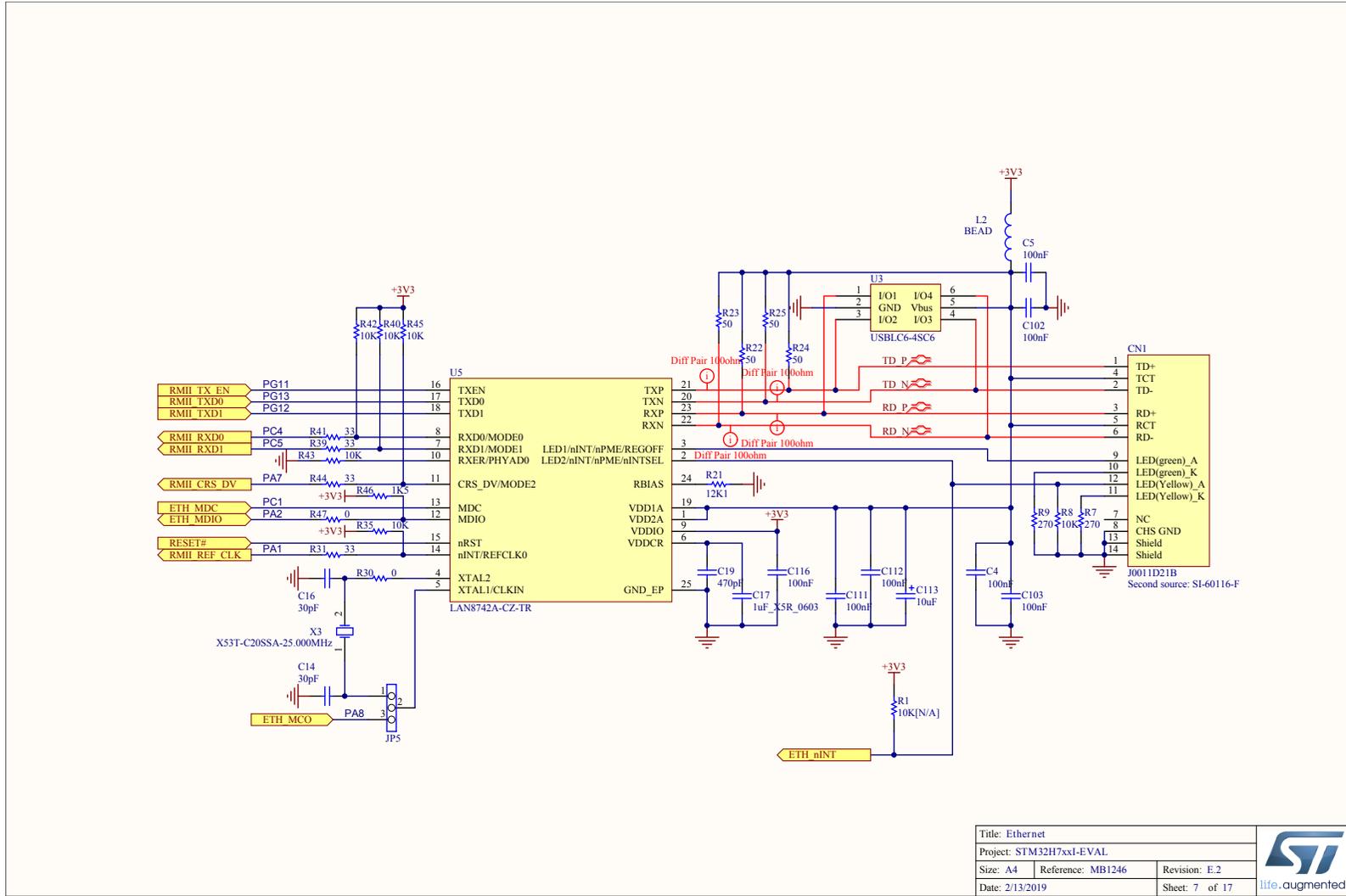


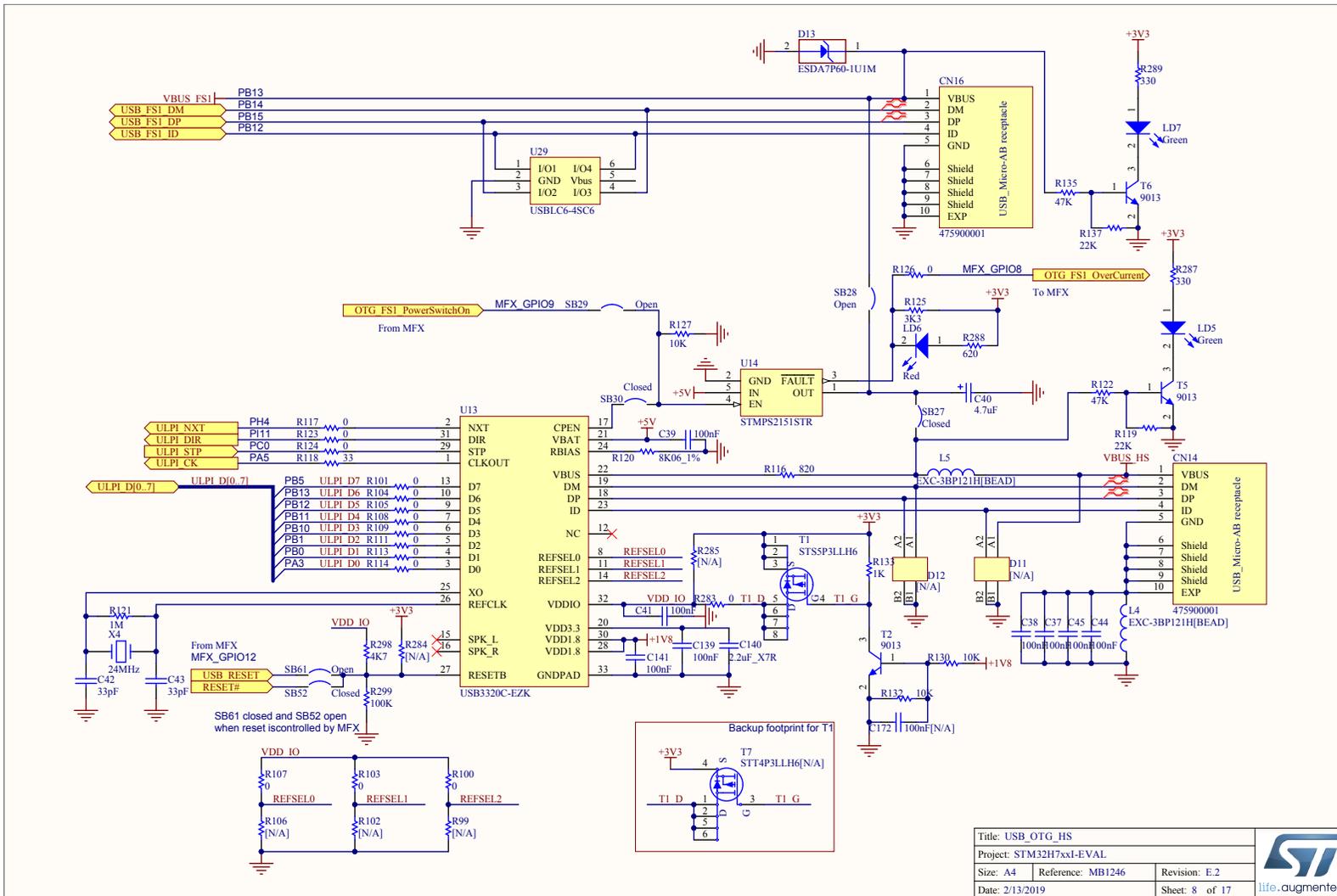
Figure 65. STM32H7x3I-EVAL RevE Ethernet



Title: Ethernet		
Project: STM32H7xxI-EVAL		
Size: A4	Reference: MB1246	Revision: E.2
Date: 2/13/2019	Sheet: 7 of 17	



Figure 66. STM32H7x3I-EVAL RevE USB OTG\_HS



Title: USB_OTG_HS		
Project: STM32H7xxI-EVAL		
Size: A4	Reference: MB1246	Revision: E.2
Date: 2/13/2019	Sheet: 8 of 17	



Figure 67. STM32H7x3I-EVAL RevE USB\_OTG\_FS

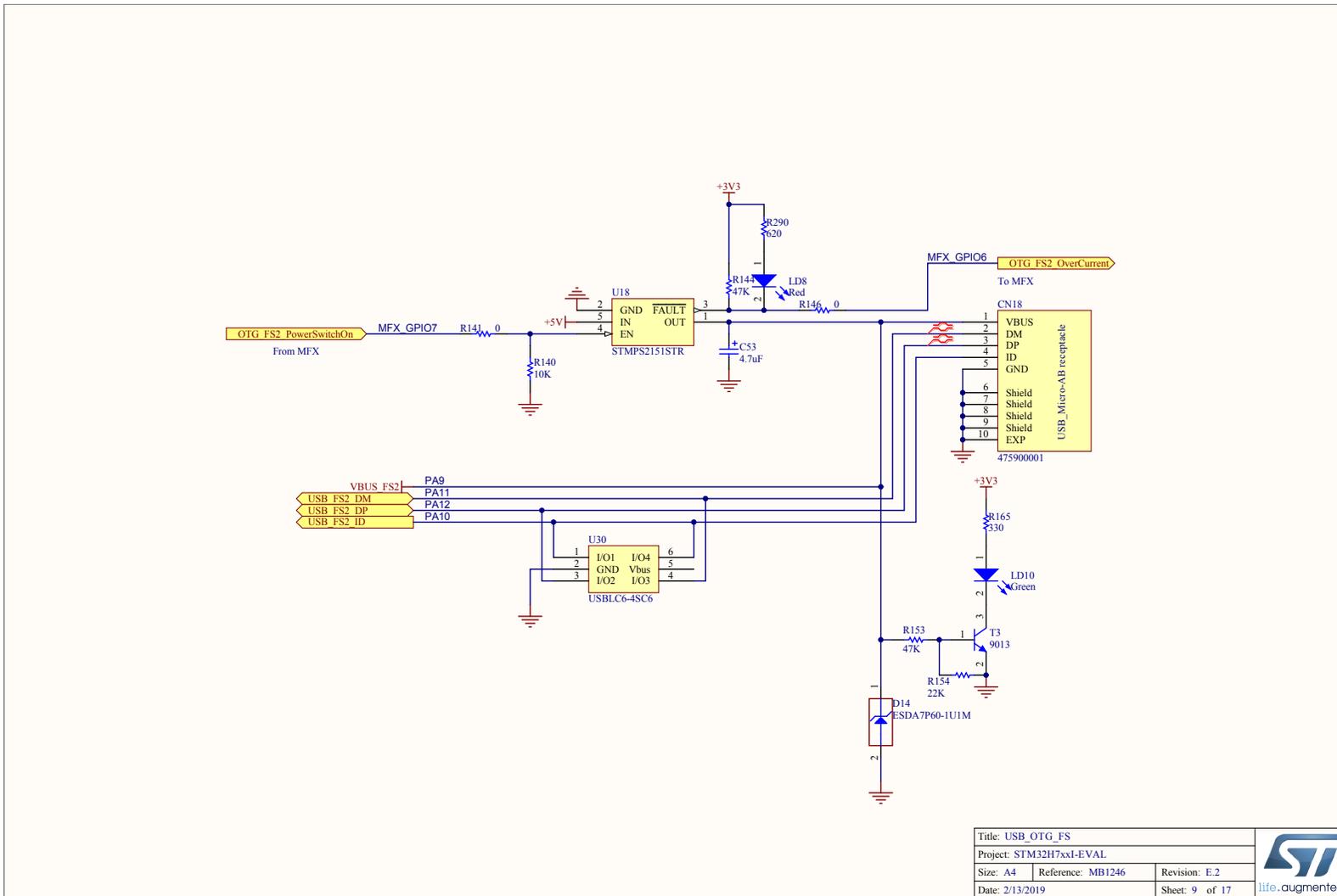
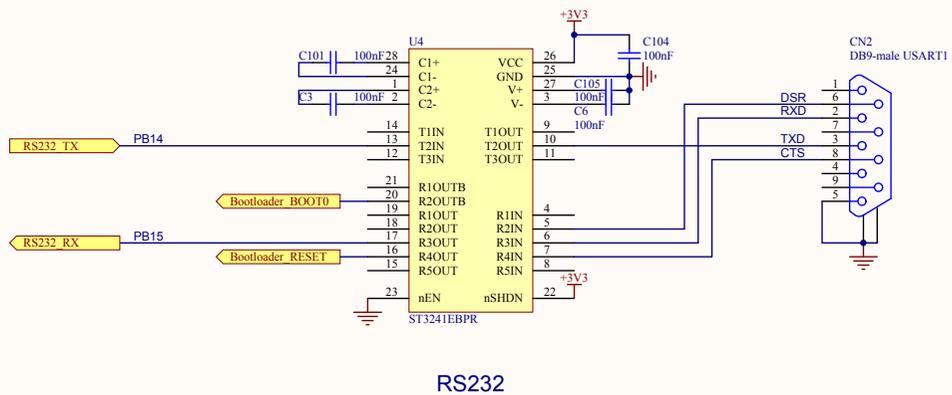


Figure 68. STM32H7x3I-EVAL RevE RS-232



Title: RS232		
Project: STM32H7xxI-EVAL		
Size: A4	Reference: MB1246	Revision: E.2
Date: 2/13/2019	Sheet: 10 of 17	



Figure 69. STM32H7x3I-EVAL RevE FDCAN and Q-SPI

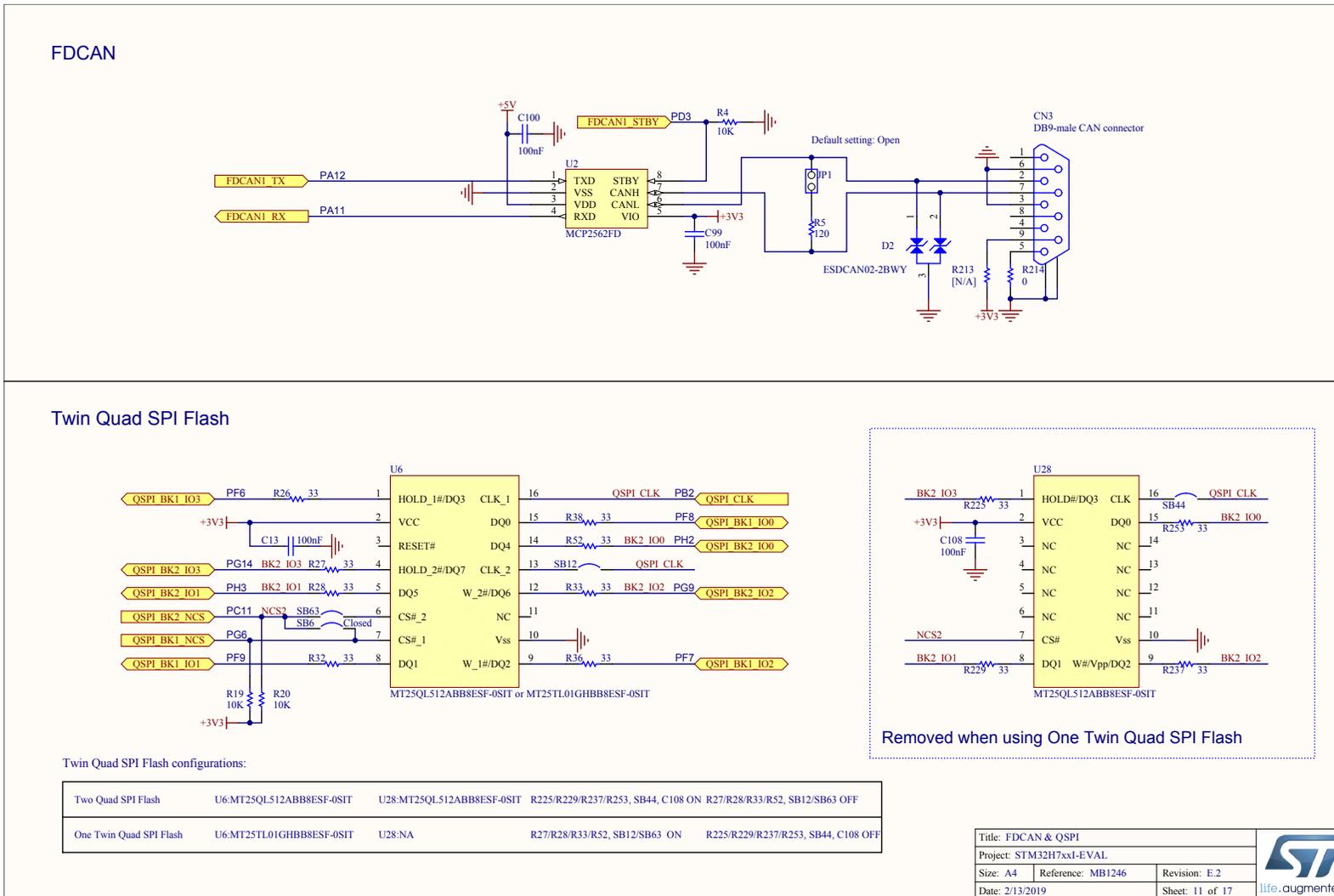
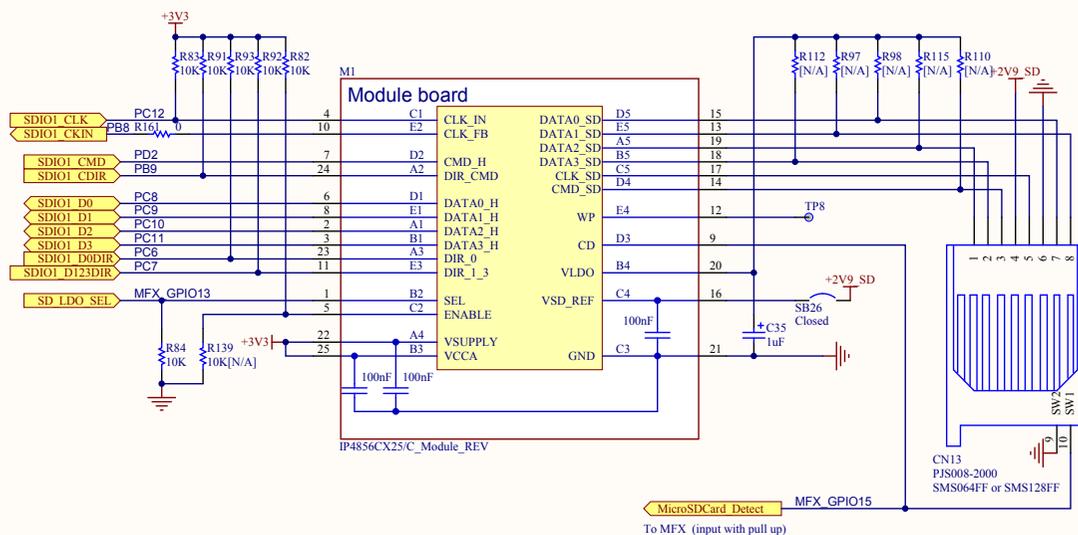


Figure 70. STM32H7x3I-EVAL RevE microSD™ 3.0 card

MICRO SD 3.0 Card



Title: MICRO SD 3.0 Card		
Project: STM32H7xxI-EVAL		
Size: A4	Reference: MB1246	Revision: E.2
Date: 2/13/2019	Sheet: 12 of 17	



Figure 71. STM32H7x3I-EVAL RevE peripherals

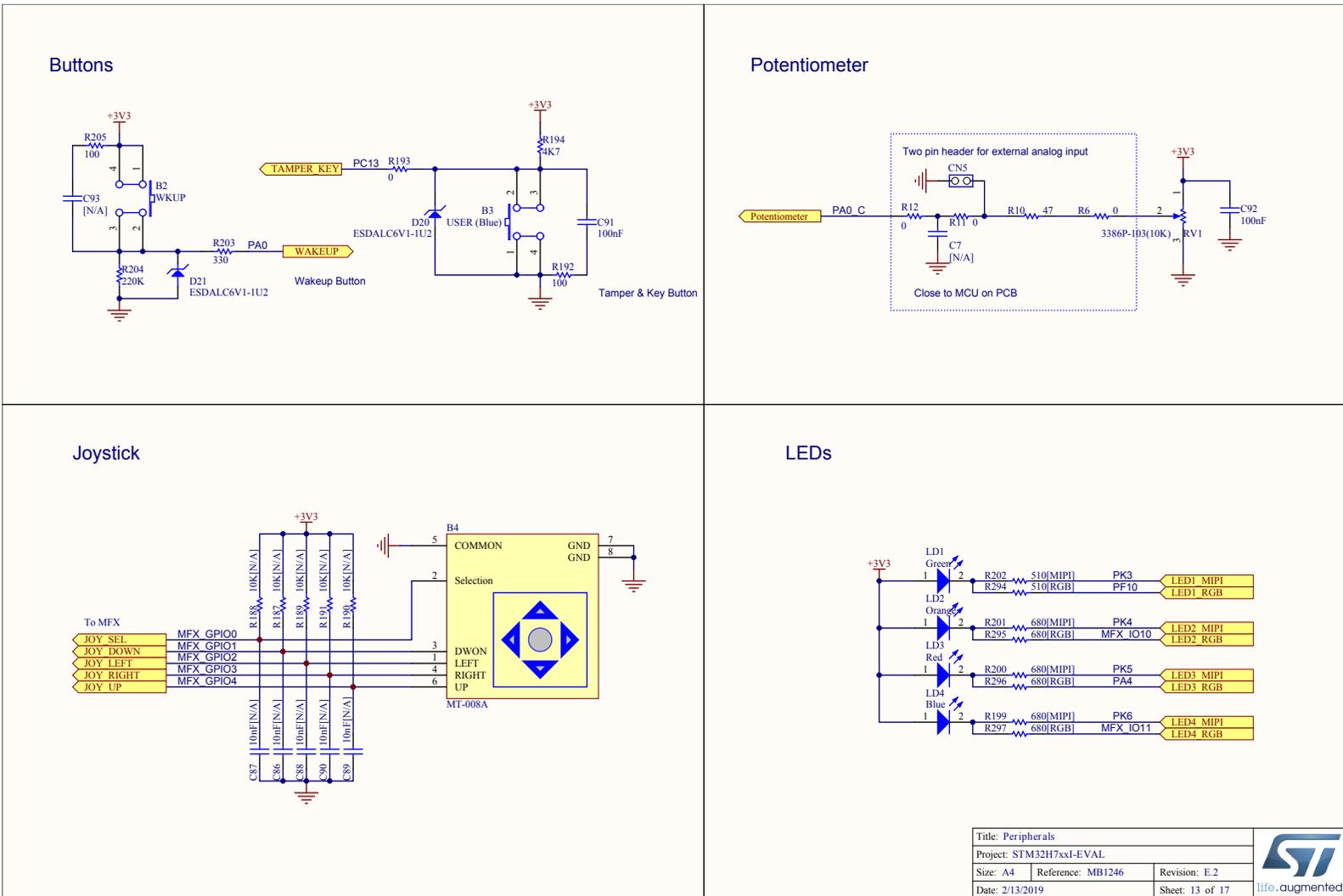


Figure 72. STM32H7x3I-EVAL RevE extension connectors

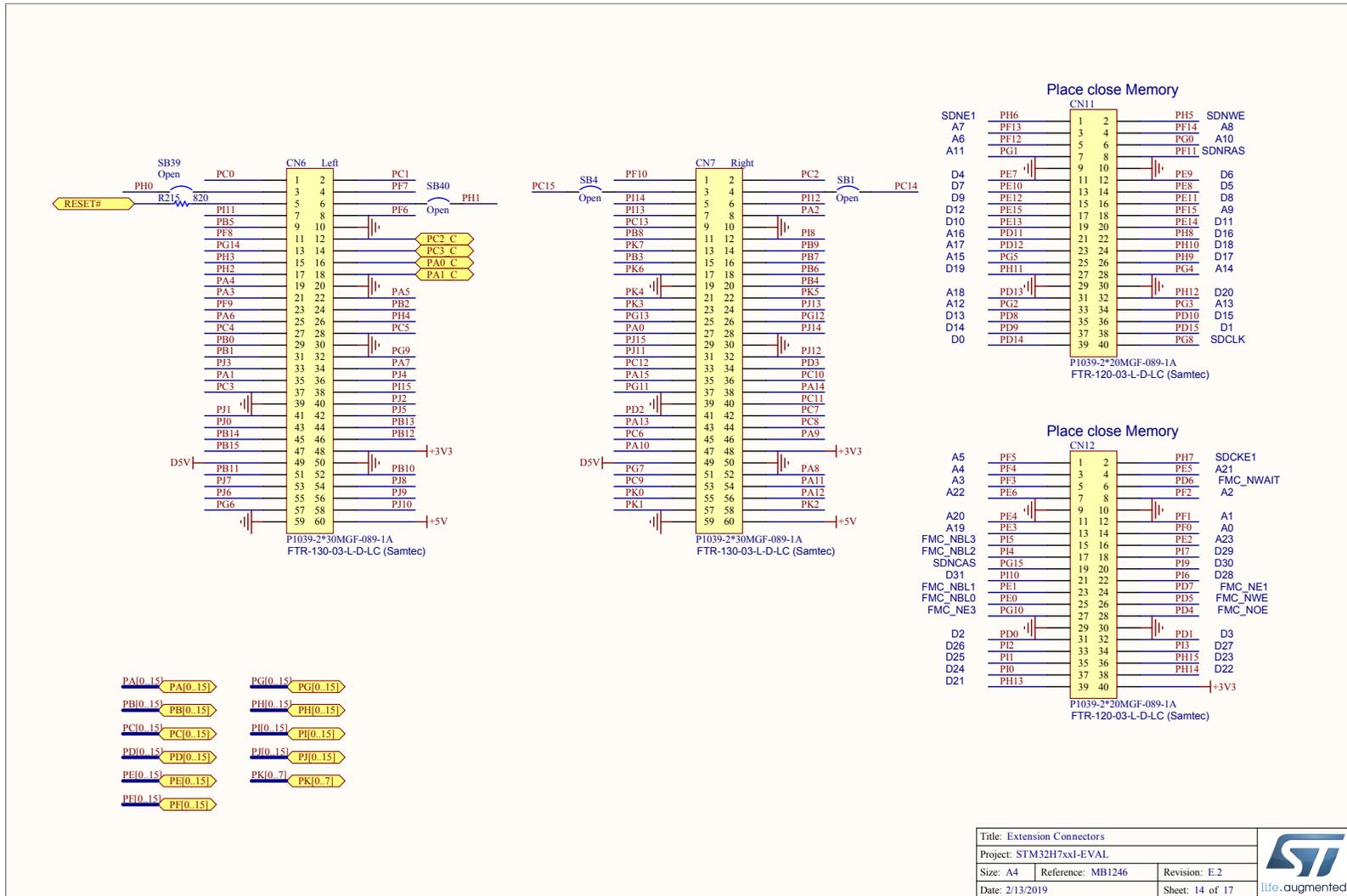


Figure 73. STM32H7x3I-EVAL RevE STLINK-V3E

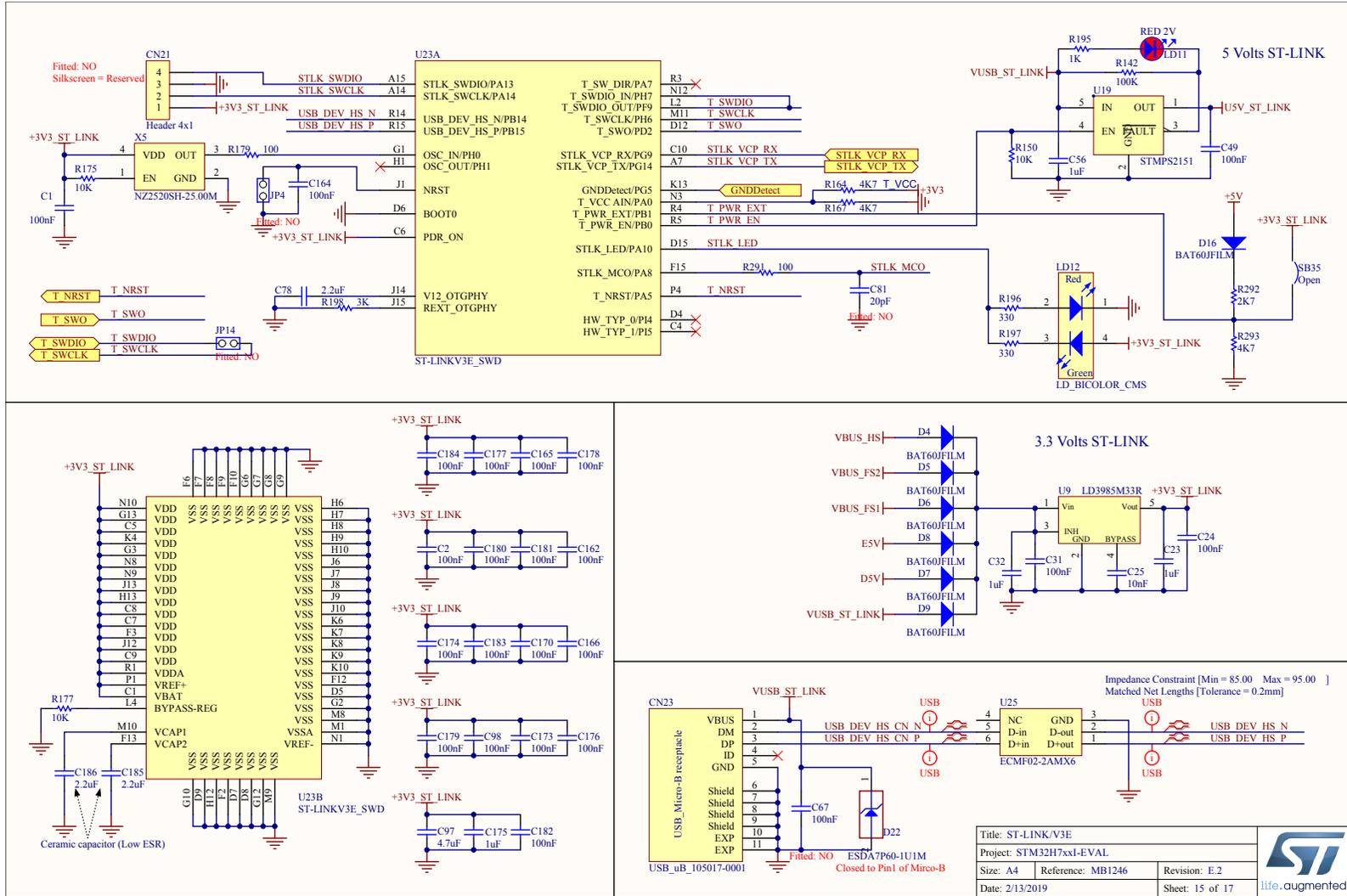


Figure 74. STM32H7x3I-EVAL RevE MFX

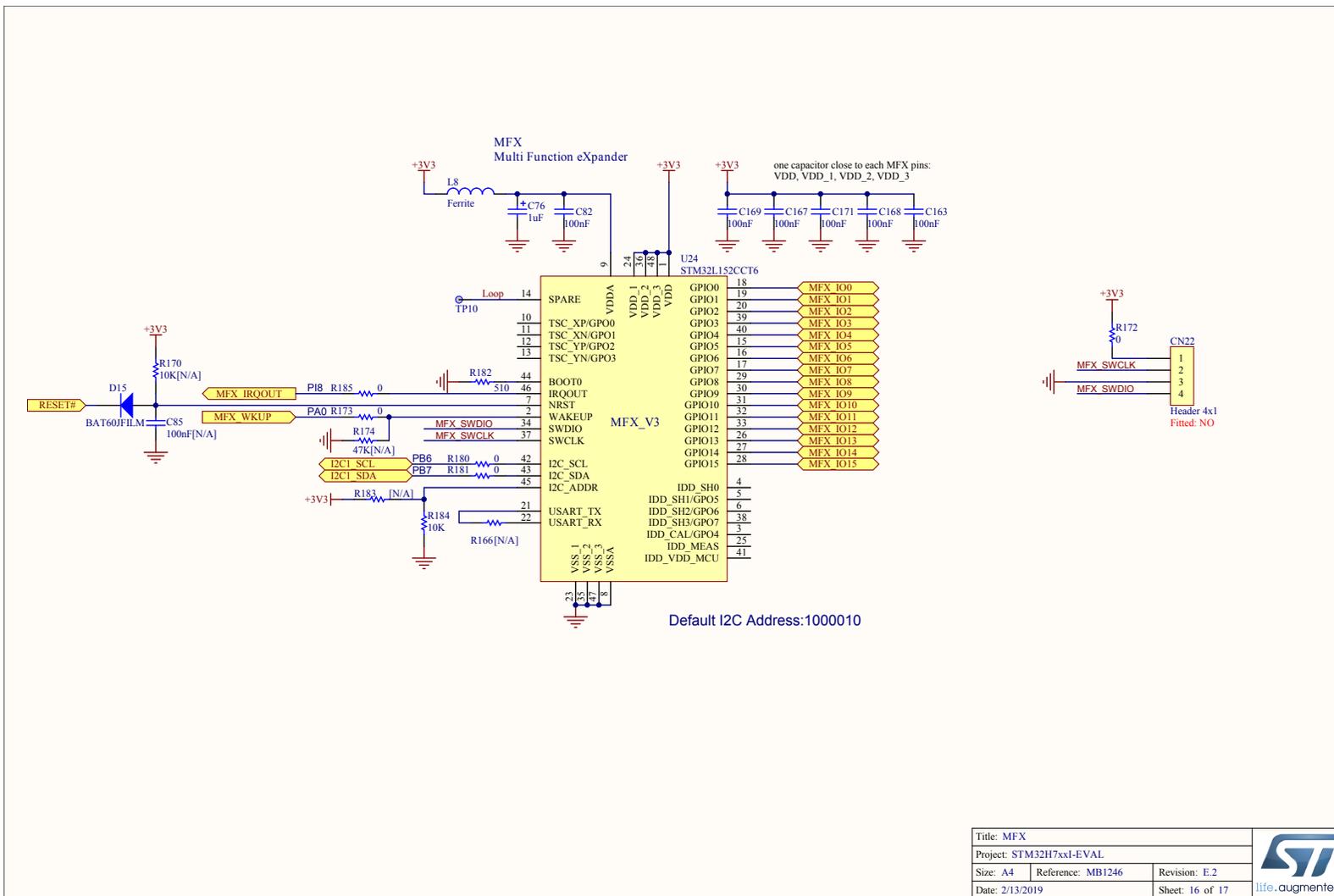


Figure 75. STM32H7x3I-EVAL RevE JTAG and trace

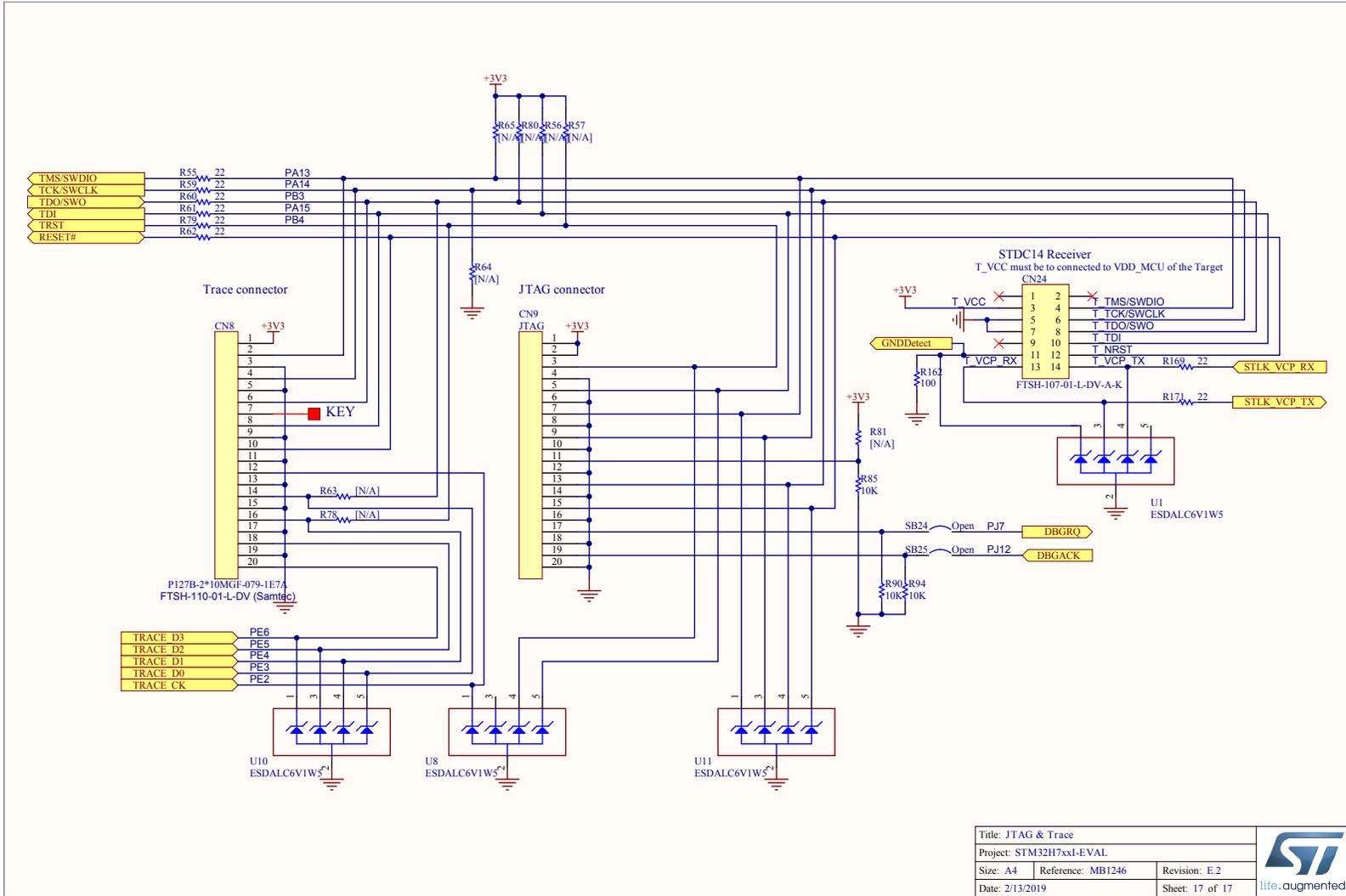
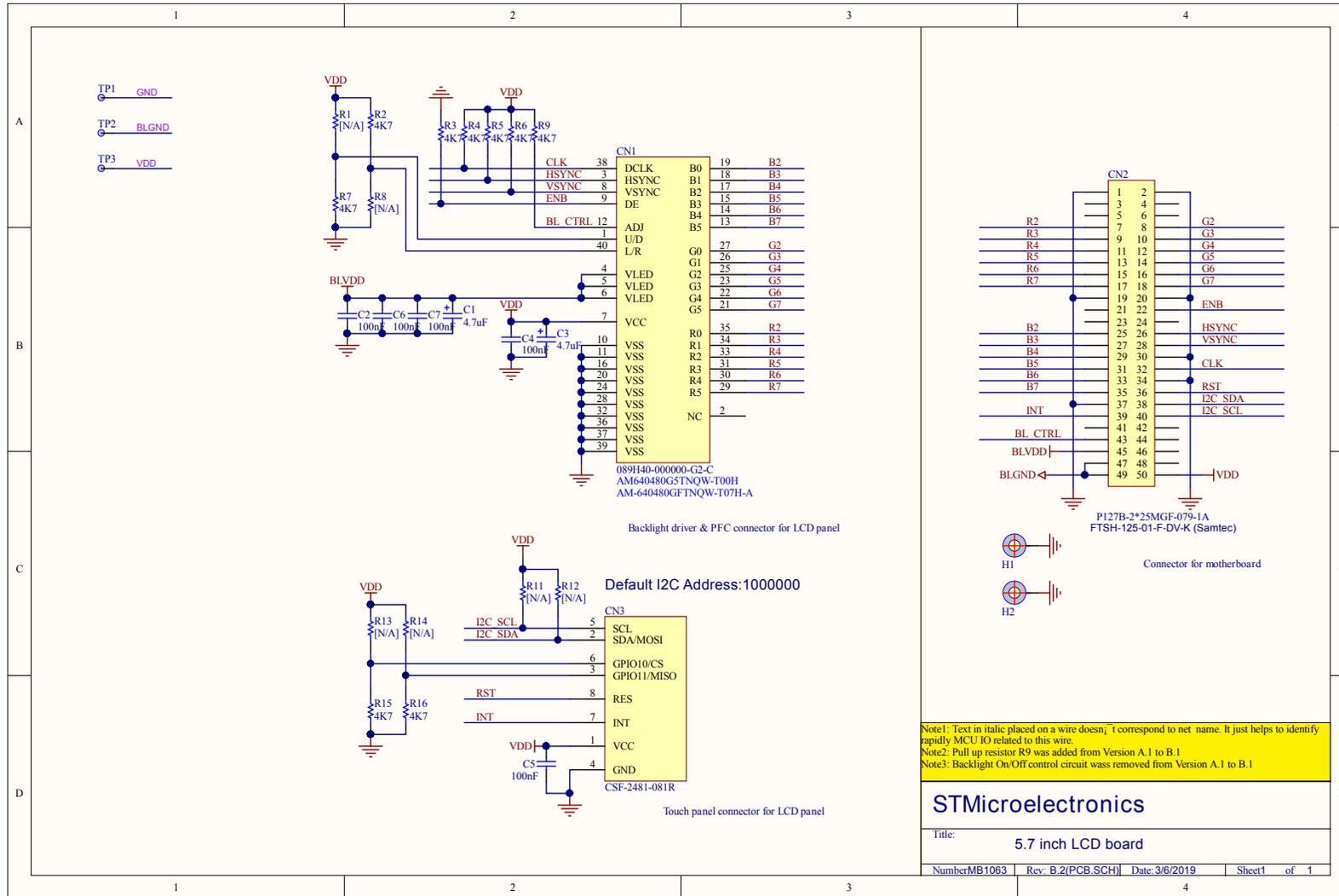


Figure 76. STM32H7x3I-EVAL RevE 5.7" LCD board



## 6.2.5 STM32H7x3I-EVAL RevE board revision history and limitations

**Table 70. STM32H7x3I-EVAL RevE board revision history and limitations**

Board	Version	Revision details	Known limitations
MB1246 (Main board)	E-02	Initial version for STM32H743I-EVAL2 and STM32H753I-EVAL2 order codes	-
MB1063 (LCD board)	B-02	Initial version	-

## Appendix A Federal Communications Commission (FCC) and Industry Canada (IC) Compliance Statements

### A.1 FCC Compliance Statement

#### Part 15.19

This device complies with Part 15 of the FCC Rules. Operation is subject to the following two conditions: (1) this device may not cause harmful interference, and (2) this device must accept any interference received, including interference that may cause undesired operation.

#### Part 15.21

Any changes or modifications to this equipment not expressly approved by STMicroelectronics may cause harmful interference and void the user's authority to operate this equipment.

#### Part 15.105

This equipment has been tested and found to comply with the limits for a Class A digital device, pursuant to part 15 of the FCC Rules. These limits are designed to provide reasonable protection against harmful interference when the equipment is operated in a commercial environment. This equipment generates, uses, and can radiate radio frequency energy and, if not installed and used in accordance with the instruction manual, may cause harmful interference to radio communications. Operation of this equipment in a residential area is likely to cause harmful interference in which case the user will be required to correct the interference at his own expense.

#### Responsible party (in the USA)

Terry Blanchard  
Americas Region Legal | Group Vice President and Regional Legal Counsel, The Americas  
STMicroelectronics, Inc.  
750 Canyon Drive | Suite 300 | Coppel, Texas 75019  
USA  
Telephone: +1 972-466-7845

### A.2 IC Compliance Statement

This device complies with FCC and Industry Canada RF radiation exposure limits set forth for general population for mobile application (uncontrolled exposure). This device must not be collocated or operating in conjunction with any other antenna or transmitter.

#### Compliance Statement

Notice: This device complies with Industry Canada licence-exempt RSS standard(s). Operation is subject to the following two conditions: (1) this device may not cause interference, and (2) this device must accept any interference, including interference that may cause undesired operation of the device.

Industry Canada ICES-003 Compliance Label: CAN ICES-3 (A) / NMB-3 (A).

#### Déclaration de conformité

Avis: Le présent appareil est conforme aux CNR d'Industrie Canada applicables aux appareils radio exempts de licence. L'exploitation est autorisée aux deux conditions suivantes : (1) l'appareil ne doit pas produire de brouillage, et (2) l'utilisateur de l'appareil doit accepter tout brouillage radioélectrique subi, même si le brouillage est susceptible d'en compromettre le fonctionnement.

Étiquette de conformité à la NMB-003 d'Industrie Canada: CAN ICES-3 (A) / NMB-3 (A).

## Revision history

**Table 71. Document revision history**

Date	Revision	Changes
26-Jun-2017	1	Initial release.
14-Dec-2018	2	Added <i>Section 8 Conventions</i> , and aligned jumper and solder bridge statuses. Added description of STM32H753I-EVAL board. Added description of MB1246 revision E main board both for STM32H743I-EVAL and STM32H745IEVAL. Added <i>Section 2 General information</i> .
29-Mar-2019	3	Reorganized the beginning of the document: updated <i>Features</i> and <i>Ordering information</i> . Added <i>Codification</i> . Updated the schematics in <i>Section 6.1.4 STM32H7x3I-EVAL RevB electrical schematics</i> and <i>Section 6.2.4 STM32H7x3I-EVAL RevE electrical schematics</i> . Updated the corresponding entries in <i>Section 6.1.5 STM32H7x3I-EVAL RevB board revision history and limitations</i> and <i>Section 6.2.5 STM32H7x3I-EVAL RevE board revision history and limitations</i> .
19-Mar-2020	4	Updated <i>Section 5 Delivery recommendations</i> .

## Contents

<b>1</b>	<b>Features</b>	<b>2</b>
<b>2</b>	<b>Ordering information</b>	<b>3</b>
2.1	Product marking	3
2.2	Codification	3
<b>3</b>	<b>Development environment</b>	<b>4</b>
3.1	System requirements	4
3.2	Development toolchains	4
3.3	Demonstration software	4
<b>4</b>	<b>Conventions</b>	<b>5</b>
<b>5</b>	<b>Delivery recommendations</b>	<b>6</b>
<b>6</b>	<b>Detailed STM32H7x3I-EVAL boards description</b>	<b>7</b>
6.1	STM32H7x3I-EVAL (MB1246 RevB)	8
6.1.1	STM32H7x3I-EVAL hardware layout and configuration (MB1246 RevB)	8
6.1.2	STM32H7x3I-EVAL connectors (MB1246 RevB)	22
6.1.3	STM32H7x3I-EVAL RevB I/O assignment	35
6.1.4	STM32H7x3I-EVAL RevB electrical schematics	39
6.1.5	STM32H7x3I-EVAL RevB board revision history and limitations	58
6.2	STM32H7x3I-EVAL (MB1246 RevE)	59
6.2.1	STM32H7x3I-EVAL hardware layout and configuration (MB1246 RevE)	59
6.2.2	STM32H7x3I-EVAL Connectors (MB1246 RevE)	72
6.2.3	STM32H7x3I-EVAL RevE I/O assignment	85
6.2.4	STM32H7x3I-EVAL RevE electrical schematics	90
6.2.5	STM32H7x3I-EVAL RevE board revision history and limitations	109
<b>Appendix A Federal Communications Commission (FCC) and Industry Canada (IC) Compliance Statements</b>		<b>110</b>
A.1	FCC Compliance Statement	110
A.2	IC Compliance Statement	110
<b>Revision history</b>		<b>111</b>
<b>Contents</b>		<b>112</b>

List of tables ..... 114

List of figures..... 116

## List of tables

<b>Table 1.</b>	Ordering information. . . . .	3
<b>Table 2.</b>	Codification explanation . . . . .	3
<b>Table 3.</b>	ON/OFF convention . . . . .	5
<b>Table 4.</b>	Mechanical dimensions . . . . .	10
<b>Table 5.</b>	Power related jumpers . . . . .	13
<b>Table 6.</b>	25 MHz crystal X1 related solder bridges . . . . .	14
<b>Table 7.</b>	32 kHz crystal X2 related solder bridges . . . . .	14
<b>Table 8.</b>	Boot selection switch . . . . .	15
<b>Table 9.</b>	Boot related jumpers . . . . .	15
<b>Table 10.</b>	Audio related switch and jumper . . . . .	16
<b>Table 11.</b>	USB OTG2 and USART1 function configuration. . . . .	17
<b>Table 12.</b>	USART1 related jumpers . . . . .	17
<b>Table 13.</b>	CAN related jumpers and solder bridges . . . . .	18
<b>Table 14.</b>	Ethernet related jumpers. . . . .	18
<b>Table 15.</b>	NOR Flash related jumpers . . . . .	19
<b>Table 16.</b>	LCD module connector (CN20) . . . . .	19
<b>Table 17.</b>	MFX signals . . . . .	21
<b>Table 18.</b>	RJ45 connector CN1 . . . . .	22
<b>Table 19.</b>	RS-232 connector CN2 with ISP support. . . . .	22
<b>Table 20.</b>	CAN D-type 9-pin male connector CN3. . . . .	23
<b>Table 21.</b>	I <sup>2</sup> C EXT connector CN4 . . . . .	23
<b>Table 22.</b>	Analog input-output connector CN5 . . . . .	24
<b>Table 23.</b>	Daughterboard extension connector CN6 . . . . .	24
<b>Table 24.</b>	Daughterboard extension connector CN7 . . . . .	25
<b>Table 25.</b>	ETM trace debugging connector CN8 . . . . .	27
<b>Table 26.</b>	JTAG/SWD debugging connector CN9 . . . . .	28
<b>Table 27.</b>	Memory connector CN11 . . . . .	29
<b>Table 28.</b>	Memory connector CN12 . . . . .	30
<b>Table 29.</b>	microSD™ connector CN13 . . . . .	32
<b>Table 30.</b>	USB OTG2_HS Micro-AB connector CN14 . . . . .	33
<b>Table 31.</b>	USB OTG2_FS Micro-AB connector CN16 . . . . .	33
<b>Table 32.</b>	USB OTG1_FS Micro-AB connector CN18 . . . . .	33
<b>Table 33.</b>	USB Micro-B connector CN23 (front view). . . . .	34
<b>Table 34.</b>	MEMS microphone coupon connectors CN25 and CN26. . . . .	35
<b>Table 35.</b>	STM32H7x3I-EVAL RevB I/O assignment . . . . .	35
<b>Table 36.</b>	STM32H7x3I-EVAL RevB board revision history and limitations . . . . .	58
<b>Table 37.</b>	Mechanical dimensions . . . . .	61
<b>Table 38.</b>	Power related jumpers . . . . .	63
<b>Table 39.</b>	25 MHz crystal X1 related solder bridges . . . . .	65
<b>Table 40.</b>	32 kHz crystal X2 related solder bridges . . . . .	65
<b>Table 41.</b>	Boot selection switch . . . . .	66
<b>Table 42.</b>	Boot related jumpers . . . . .	66
<b>Table 43.</b>	Audio related switch and jumper . . . . .	66
<b>Table 44.</b>	USB OTG1 and USART1 function configuration. . . . .	67
<b>Table 45.</b>	USART1 related jumpers . . . . .	68
<b>Table 46.</b>	CAN related jumpers and solder bridges . . . . .	69
<b>Table 47.</b>	Ethernet related jumpers. . . . .	69
<b>Table 48.</b>	NOR Flash related jumpers . . . . .	69
<b>Table 49.</b>	LCD module connector (CN20) . . . . .	70
<b>Table 50.</b>	MFX signals . . . . .	71
<b>Table 51.</b>	RJ45 connector CN1 . . . . .	72

<b>Table 52.</b>	RS-232 connector CN2 with ISP support. . . . .	72
<b>Table 53.</b>	CAN D-type 9-pin male connector CN3. . . . .	73
<b>Table 54.</b>	I <sup>2</sup> C EXT connector CN4 . . . . .	73
<b>Table 55.</b>	Analog input-output connector CN5 . . . . .	74
<b>Table 56.</b>	Daughterboard extension connector CN6 . . . . .	74
<b>Table 57.</b>	Daughterboard extension connector CN7 . . . . .	75
<b>Table 58.</b>	ETM trace debugging connector CN8 . . . . .	77
<b>Table 59.</b>	JTAG/SWD debugging connector CN9 . . . . .	78
<b>Table 60.</b>	Memory connector CN11 . . . . .	79
<b>Table 61.</b>	Memory connector CN12 . . . . .	80
<b>Table 62.</b>	microSD™ connector CN13 . . . . .	82
<b>Table 63.</b>	USB OTG1_HS Micro-AB connector CN14 . . . . .	83
<b>Table 64.</b>	USB OTG1_FS Micro-AB connector CN16 . . . . .	83
<b>Table 65.</b>	USB OTG2_FS Micro-AB connector CN18 . . . . .	83
<b>Table 66.</b>	USB Micro-B connector CN23 (front view). . . . .	84
<b>Table 67.</b>	STDC14 debugging connector CN24 . . . . .	85
<b>Table 68.</b>	MEMS microphone coupon connectors CN25 and CN26. . . . .	85
<b>Table 69.</b>	STM32H7x3I-EVAL RevE I/O assignment . . . . .	85
<b>Table 70.</b>	STM32H7x3I-EVAL RevE board revision history and limitations . . . . .	109
<b>Table 71.</b>	Document revision history . . . . .	111

## List of figures

<b>Figure 1.</b>	STM32H7x3I-EVAL board (top view) . . . . .	1
<b>Figure 2.</b>	STM32H7x3I-EVAL2 board (top view) . . . . .	1
<b>Figure 3.</b>	Hardware block diagram (RevB) . . . . .	8
<b>Figure 4.</b>	STM32H7x3I-EVAL RevB Evaluation board (top side) . . . . .	9
<b>Figure 5.</b>	STM32H7x3I-EVAL Evaluation board mechanical drawing . . . . .	10
<b>Figure 6.</b>	USB composite device. . . . .	11
<b>Figure 7.</b>	Orientation setting of 5.7-inch LCD daughterboard . . . . .	20
<b>Figure 8.</b>	Ethernet RJ45 connector CN1 (front view) . . . . .	22
<b>Figure 9.</b>	RS-232 connector CN2 (front view) . . . . .	22
<b>Figure 10.</b>	CAN D-type, 9-pin connector CN3 (front view) . . . . .	23
<b>Figure 11.</b>	I <sup>2</sup> C EXT connector CN4 (front view) . . . . .	23
<b>Figure 12.</b>	Analog input-output connector CN5 (top view) . . . . .	23
<b>Figure 13.</b>	ETM trace debugging connector CN8 (top view) . . . . .	27
<b>Figure 14.</b>	JTAG/SWD debugging connector CN9 (top view) . . . . .	28
<b>Figure 15.</b>	Power supply connector CN10 (front view) . . . . .	29
<b>Figure 16.</b>	microSD™ connector (top view) . . . . .	32
<b>Figure 17.</b>	USB OTG2_HS Micro-AB connector CN14 (front view) . . . . .	32
<b>Figure 18.</b>	USB OTG2_FS Micro-AB connector CN16 (front view) . . . . .	33
<b>Figure 19.</b>	USB OTG_FS Micro-AB connector CN18 (front view) . . . . .	33
<b>Figure 20.</b>	USB Micro-B connector CN23 (front view) . . . . .	34
<b>Figure 21.</b>	MEMS microphone coupon connectors CN25 and CN26 (top view) . . . . .	34
<b>Figure 22.</b>	STM32H7x3I-EVAL RevB Evaluation board . . . . .	40
<b>Figure 23.</b>	STM32H7x3I-EVAL RevB MCU . . . . .	41
<b>Figure 24.</b>	STM32H7x3I-EVAL RevB power . . . . .	42
<b>Figure 25.</b>	STM32H7x3I-EVAL RevB SRAM, Flash and SDRAM . . . . .	43
<b>Figure 26.</b>	STM32H7x3I-EVAL RevB audio . . . . .	44
<b>Figure 27.</b>	STM32H7x3I-EVAL RevB LCD connectors. . . . .	45
<b>Figure 28.</b>	STM32H7x3I-EVAL RevB Ethernet . . . . .	46
<b>Figure 29.</b>	STM32H7x3I-EVAL RevB USB OTG_HS . . . . .	47
<b>Figure 30.</b>	STM32H7x3I-EVAL RevB USB OTG_FS . . . . .	48
<b>Figure 31.</b>	STM32H7x3I-EVAL RevB RS-232. . . . .	49
<b>Figure 32.</b>	STM32H7x3I-EVAL RevB FDCAN and Q-SPI. . . . .	50
<b>Figure 33.</b>	STM32H7x3I-EVAL RevB microSD™ 3.0 card . . . . .	51
<b>Figure 34.</b>	STM32H7x3I-EVAL RevB peripherals . . . . .	52
<b>Figure 35.</b>	STM32H7x3I-EVAL RevB extension connectors . . . . .	53
<b>Figure 36.</b>	STM32H7x3I-EVAL RevB ST-LINK/V2-1 . . . . .	54
<b>Figure 37.</b>	STM32H7x3I-EVAL RevB MFX. . . . .	55
<b>Figure 38.</b>	STM32H7x3I-EVAL RevB JTAG and trace . . . . .	56
<b>Figure 39.</b>	STM32H7x3I-EVAL RevB 5.7" LCD board . . . . .	57
<b>Figure 40.</b>	Hardware block diagram (RevE) . . . . .	59
<b>Figure 41.</b>	STM32H7x3I-EVAL RevE Evaluation board (top side) . . . . .	60
<b>Figure 42.</b>	STM32H7x3I-EVAL Evaluation board mechanical drawing . . . . .	61
<b>Figure 43.</b>	Orientation setting of 5.7-inch LCD daughterboard . . . . .	71
<b>Figure 44.</b>	Ethernet RJ45 connector CN1 (front view) . . . . .	72
<b>Figure 45.</b>	RS-232 connector CN2 (front view) . . . . .	72
<b>Figure 46.</b>	CAN D-type, 9-pin connector CN3 (front view) . . . . .	73
<b>Figure 47.</b>	I <sup>2</sup> C EXT connector CN4 (front view) . . . . .	73
<b>Figure 48.</b>	Analog input-output connector CN5 (top view) . . . . .	73
<b>Figure 49.</b>	ETM trace debugging connector CN8 (top view) . . . . .	77
<b>Figure 50.</b>	JTAG/SWD debugging connector CN9 (top view) . . . . .	78
<b>Figure 51.</b>	Power supply connector CN10 (front view) . . . . .	79

<b>Figure 52.</b>	microSD™ connector (top view) . . . . .	82
<b>Figure 53.</b>	USB OTG1_HS Micro-AB connector CN14 (front view) . . . . .	82
<b>Figure 54.</b>	USB OTG1_FS Micro-AB connector CN16 (front view) . . . . .	83
<b>Figure 55.</b>	USB OTG2_FS Micro-AB connector CN18 (front view) . . . . .	83
<b>Figure 56.</b>	USB Micro-B connector CN23 (front view) . . . . .	84
<b>Figure 57.</b>	STDC14 debugging connector CN24 (top view) . . . . .	84
<b>Figure 58.</b>	MEMS microphone coupon connectors CN25 and CN26 (top view) . . . . .	85
<b>Figure 59.</b>	STM32H7x3I-EVAL RevE Evaluation board . . . . .	91
<b>Figure 60.</b>	STM32H7x3I-EVAL RevE MCU . . . . .	92
<b>Figure 61.</b>	STM32H7x3I-EVAL RevE power . . . . .	93
<b>Figure 62.</b>	STM32H7x3I-EVAL RevE SRAM, Flash and SDRAM . . . . .	94
<b>Figure 63.</b>	STM32H7x3I-EVAL RevE audio . . . . .	95
<b>Figure 64.</b>	STM32H7x3I-EVAL RevE LCD connectors . . . . .	96
<b>Figure 65.</b>	STM32H7x3I-EVAL RevE Ethernet . . . . .	97
<b>Figure 66.</b>	STM32H7x3I-EVAL RevE USB OTG_HS . . . . .	98
<b>Figure 67.</b>	STM32H7x3I-EVAL RevE USB OTG_FS . . . . .	99
<b>Figure 68.</b>	STM32H7x3I-EVAL RevE RS-232 . . . . .	100
<b>Figure 69.</b>	STM32H7x3I-EVAL RevE FDCAN and Q-SPI . . . . .	101
<b>Figure 70.</b>	STM32H7x3I-EVAL RevE microSD™ 3.0 card . . . . .	102
<b>Figure 71.</b>	STM32H7x3I-EVAL RevE peripherals . . . . .	103
<b>Figure 72.</b>	STM32H7x3I-EVAL RevE extension connectors . . . . .	104
<b>Figure 73.</b>	STM32H7x3I-EVAL RevE STLINK-V3E . . . . .	105
<b>Figure 74.</b>	STM32H7x3I-EVAL RevE MFX . . . . .	106
<b>Figure 75.</b>	STM32H7x3I-EVAL RevE JTAG and trace . . . . .	107
<b>Figure 76.</b>	STM32H7x3I-EVAL RevE 5.7" LCD board . . . . .	108

**IMPORTANT NOTICE – PLEASE READ CAREFULLY**

STMicroelectronics NV and its subsidiaries (“ST”) reserve the right to make changes, corrections, enhancements, modifications, and improvements to ST products and/or to this document at any time without notice. Purchasers should obtain the latest relevant information on ST products before placing orders. ST products are sold pursuant to ST’s terms and conditions of sale in place at the time of order acknowledgement.

Purchasers are solely responsible for the choice, selection, and use of ST products and ST assumes no liability for application assistance or the design of Purchasers’ products.

No license, express or implied, to any intellectual property right is granted by ST herein.

Resale of ST products with provisions different from the information set forth herein shall void any warranty granted by ST for such product.

ST and the ST logo are trademarks of ST. For additional information about ST trademarks, please refer to [www.st.com/trademarks](http://www.st.com/trademarks). All other product or service names are the property of their respective owners.

Information in this document supersedes and replaces information previously supplied in any prior versions of this document.

© 2020 STMicroelectronics – All rights reserved