

GlobTek, Inc. www.globtek.com 186 Veterans Drive, Northvale, NJ 07647 Tel. (201) 784-1000 Fax (201) 784-0111	Drawing Title: T00 System changeable plug system, 5.5 X 2.5.MM TWIST LOCK WITH WINGS FEMABLE BARREL PLUG	
	Model No. Low voltage cable	Part No./Ordering No. T-L-LKWG-S(R)

In Addition to GlobTek Inc.'s renewed ISO9001:2008 - Quality Management System Certification, GlobTek Inc. is now certified to:

ISO13485:2003 - Medical Devices Quality Management System Certification
ISO14001:2004 - Environmental Management System Certification

ISO Certificates are available online at <http://www.globtek.com/iso-certificates/>

The acceptance of this specification and use of the product described in this document indicates the acceptance and binding of the customer to Globtek TERMS AND CONDITIONS (attached to the end of this document), which supersede all other agreements, terms, and conditions (<http://en.globtek.com/terms-and-conditions/>).

Prop 65 Statement:<https://en.globtek.com/prop-65-statement.pdf>

Footnote:

GlobTek Inc. will not be liable for the safety and performance of these power supplies if unauthorized access and repair occurs. End user should consult applicable UL, CSA or EN standards for proper installation instruction.

Limitation of Use:

GlobTek products are intended for use with commercial, medical, and/or industrial equipment only. GlobTek product are not authorized for use as mission critical components in life support hazardous environment, nuclear or aircraft applications without prior written approval from the CEO of GlobTek Inc.

Contents of this document are subject to change without prior notice.

Customer Approval of Specification:

Please approve, sign and send back to GlobTek so we can complete order processing.
A delay in receipt of this form will delay delivery schedule.

Company Name: _____	Customer P/N: _____
Quote Number: _____	Date: _____
Authorized Representative Name: _____	Authorized Representative Signature: _____

GlobTek, Inc. www.globtek.com 186 Veterans Drive, Northvale, NJ 07647 Tel. (201) 784-1000 Fax (201) 784-0111	Drawing Title: T00 System changeable plug system, 5.5 X 2.5.MM TWIST LOCK WITH WINGS FEMABLE BARREL PLUG	
	Model No. Low voltage cable	Part No./Ordering No. T-L-LKWG-S(R)
		Rev A2

REVISION HISTORY

REV	DESCRIPTION	SUB	DATE	APPROVED
A2	Update options for similar and mating connectors	QA	08/18/2022	QA
A1	Add more options for similar and mating connectors	QA	08/15/2022	QA
A	Initial release	QA	08/04/2022	QA

AGENCY ONLINE DOCUMENTS

RoHS/RoHS3 Declaration https://www.globtek.com/pdf/rohs_cert/01t3a000005hbzYAAQ

REACH Declaration https://www.globtek.com/pdf/iso_certificates/REACH.pdf

Conflict Minerals Declaration <https://www.globtek.com/pdf/conflict-minerals.pdf>

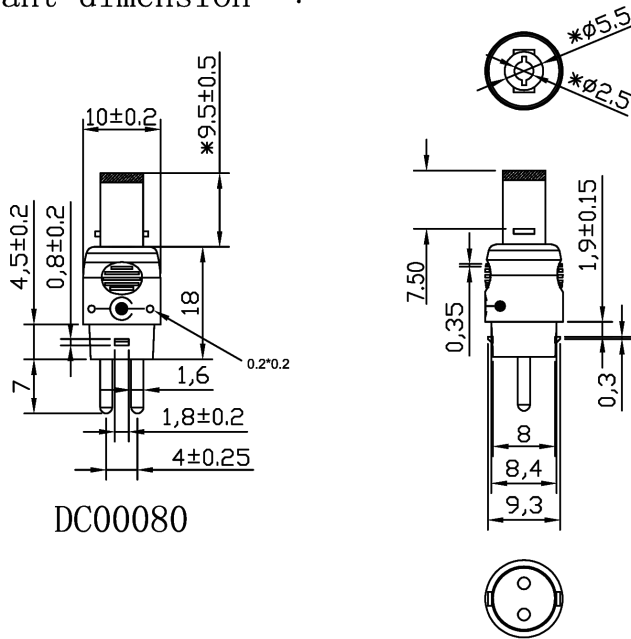
Prop 65 Statement <https://en.globtek.com/prop-65-statement.pdf>

IPXY rating is based on 3rd party testing and customers should check suitability and test system level IPXY rating before ordering.

GlobTek, Inc. www.globtek.com 186 Veterans Drive, Northvale, NJ 07647 Tel. (201) 784-1000 Fax (201) 784-0111	Drawing Title: T00 System changeable plug system, 5.5 X 2.5.MM TWIST LOCK WITH WINGS FEMABLE BARREL PLUG	
	Model No. Low voltage cable	Part No./Ordering No. T-L-LKWG-S(R)

5.5*2.5*9.5 mm with internal Spring Clip and no Locking Notch and twist lock or equal, Black

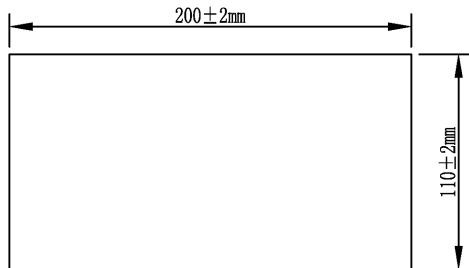
Important dimension "*"



DC00080

Packaging:

1. Qty: 50 pcs per PE Vacuum Sealed bag.
2. Bag Dimensions: 200*110 mm



Similar to: KLDX-PA-0202-B-LT PP3-002BH 55-00050 760 761K 760K 761KS17 761KS15 761KS12 50-00026 50-00187
 KLDX-PA-0202-B 765 50-00314 2P1515

Mates with KLDHCX-0202-BP-LT KLDX-0202-BP-LT KLDVHCX-0202-B-LT KLDX-0202-B-LT PJ-080BH PJ-001BH-67 PJ-090BH
 PJ-083BH PJ-084BH PJ-079BH PJ-081BH PJ-085BH RAPC712X 712A PC712A L712RA 712RA RASH712X PCL712A
 L712A L712RAS L712AS PCL712AS RASM712X

Over molded versions available for power supply output connectors or cable assemblies available upon request

GlobTek, Inc. www.globtek.com 186 Veterans Drive, Northvale, NJ 07647 Tel. (201) 784-1000 Fax (201) 784-0111	Drawing Title: T00 System changeable plug system, 5.5 X 2.5.MM TWIST LOCK WITH WINGS FEMABLE BARREL PLUG	
	Model No. Low voltage cable	Part No./Ordering No. T-L-LKWG-S(R)
		Rev A2

PACKAGING

Packing Spec P/N: _____	
Box Qty:	1000
Gift Box Size (mm): _____	
Gift Box Color:	White
Master Carton Size (mm): TBD	
Master Carton Cubic Volume (m³):	0.00
Master GW (Kg):	kg
wt Ea. (Kg):	kg
wt Ea. (Kg):	kg
LABEL SPECS: _____	
PACK SPEC: _____	