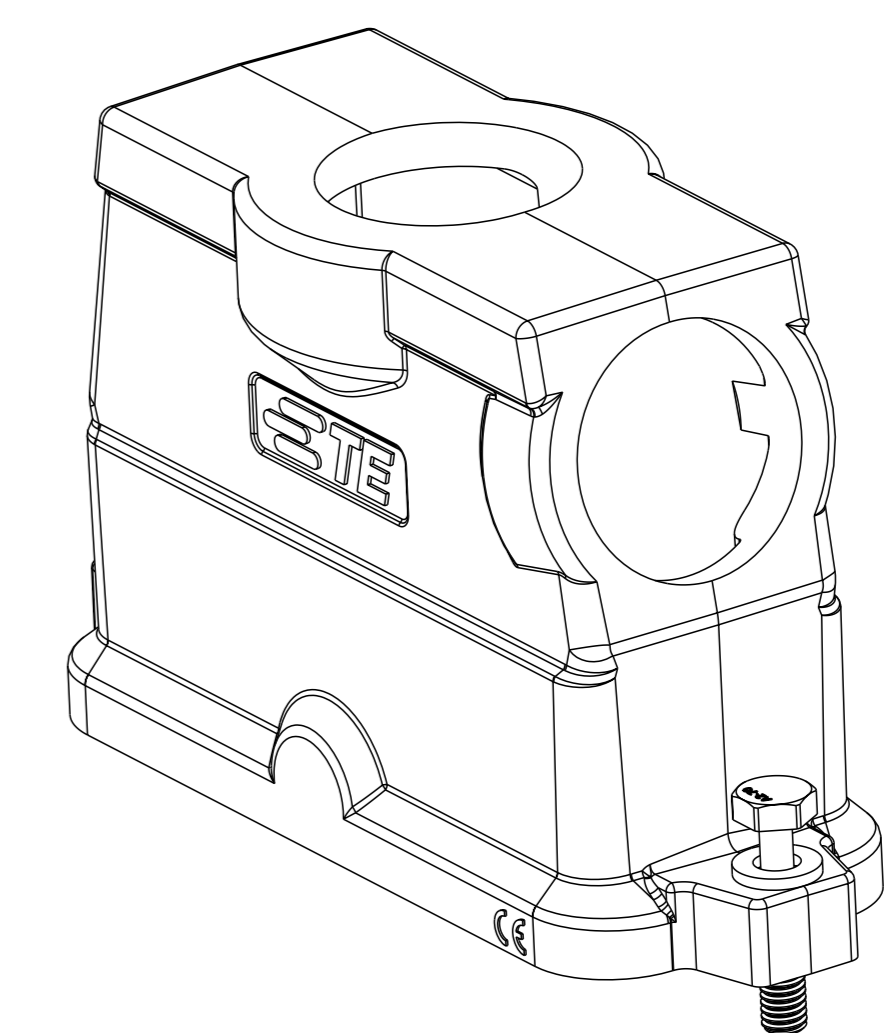
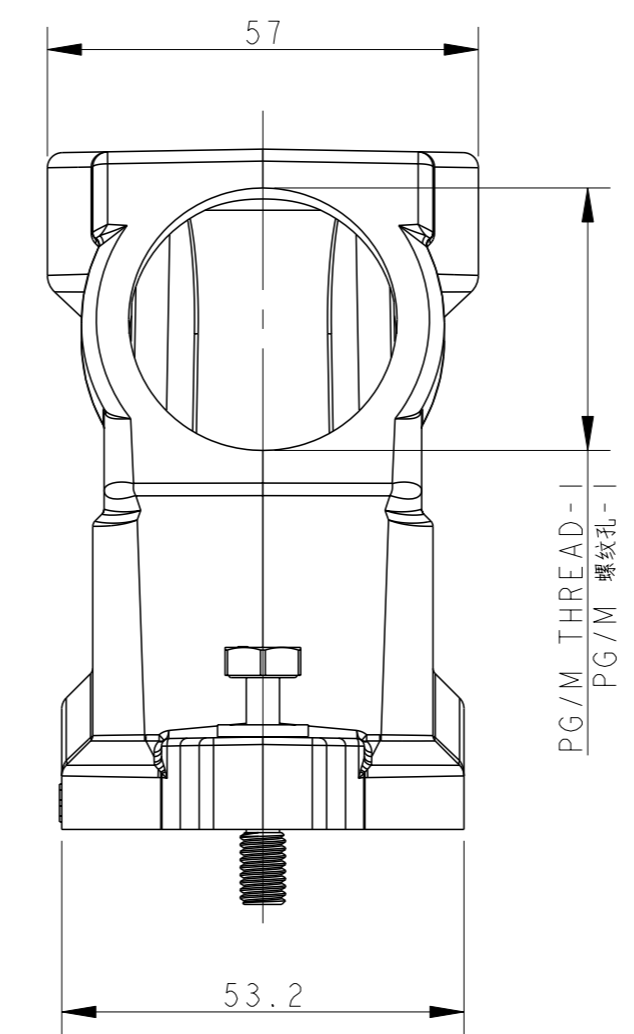
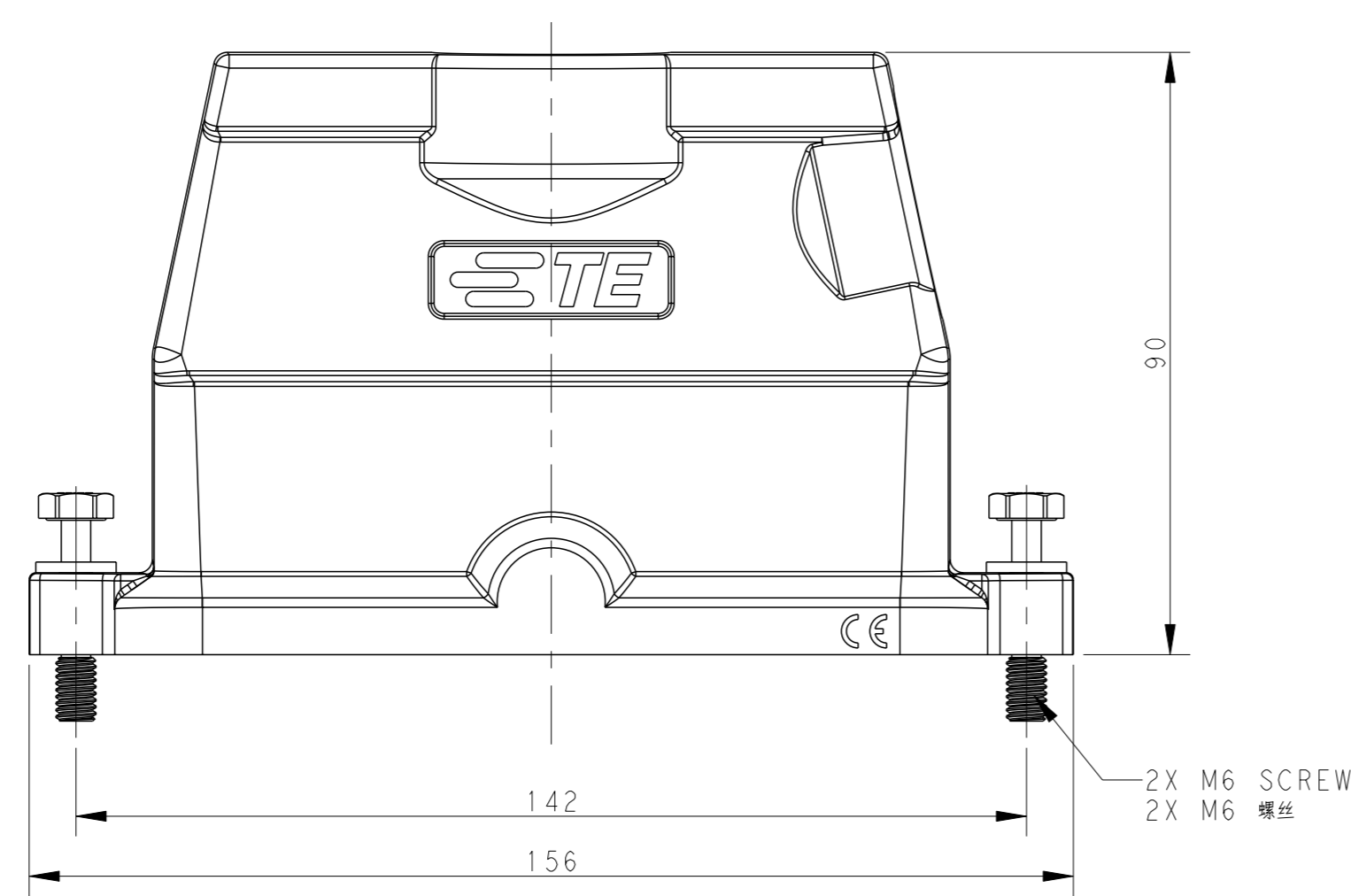
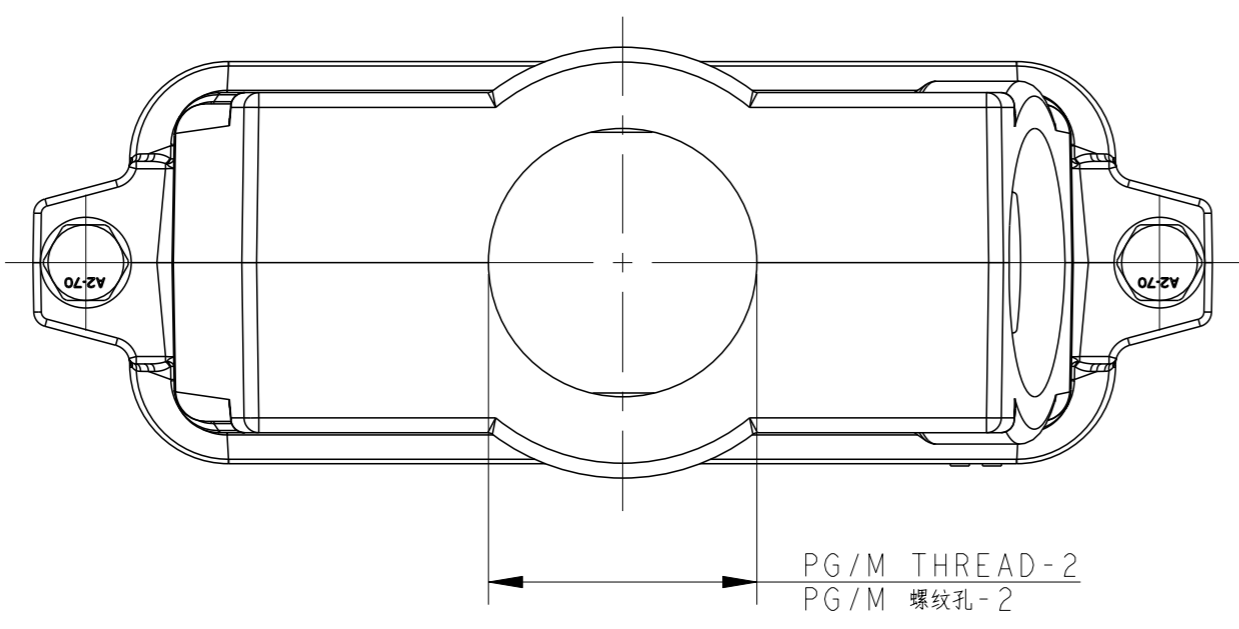
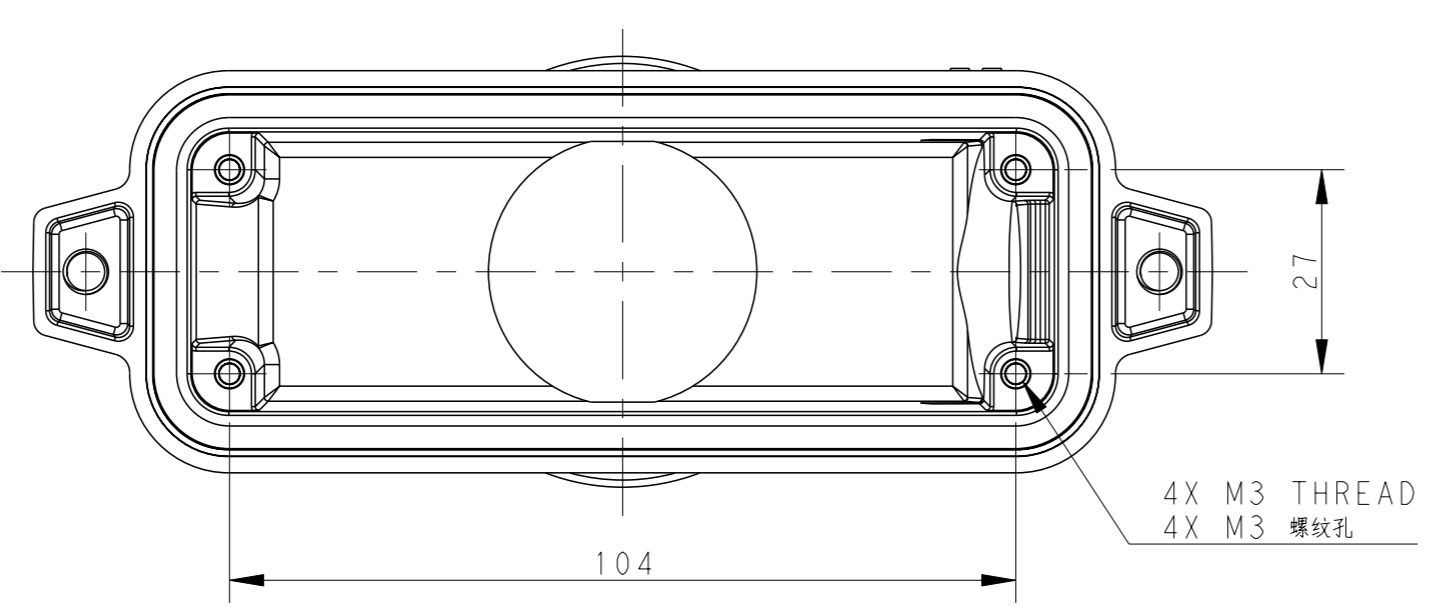


REVISIONS				
#	LY#	DESCRIPTION	DATE	APPV
A		INITIAL RELEASE	07JUN2016	DW CW
A1		ECR-19-006020	16APR2019	CD CW
B		ECR-20-016312	03JUN2021	BS CW



NOTES:
 1. TECHNICAL CHARACTERISTICS:
 HOOD MATERIAL: DIE CAST ALUMINIUM ALLOY
 SURFACE: SEE TABLE
 DEGREE OF PROTECTION: IP68 (MATED)

注释:
 1. 技术参数:
 壳体材料: 铝合金
 表面处理: 见表格
 防护等级: IP68 (配合)



PART NUMBER	料号	DESCRIPTION	描述	PG/M THREAD-2	PG/M THREAD-1
T1902246232-009	H24BPR-TS/GHC-2M32-EMC-C	H24BPR HOOD,CENTER LOCKING, SIDE/TOP ENTRY 2M32, POWDER COATED, SILVER GREY	H24BPR上壳, 中锁锁定, 侧/顶出2M32, 钝化+银灰色粉末喷涂	M32	M32
T1902242240-009	H24BPR-TS/GHC-2M40-EMC-C	H24BPR HOOD,CENTER LOCKING, SIDE/TOP ENTRY 2M40, POWDER COATED, GREY	H24BPR上壳, 中锁锁定, 侧/顶出2M40, 钝化+灰色粉末喷涂	M40	M40
T1902244025-009	H24BPR-TG/SHC-M40/M25-EMC-C	H24BPR HOOD,CENTER LOCKING, TOP ENTRY M40, SIDE ENTRY M25, POWDER COATED, SILVER WHITE	H24BPR上壳, 中锁锁定, 顶出M40侧出M25, 钝化+银白色粉末喷涂	M40	M25
T1902244020-009	H24BPR-TG/SHC-M40/M20-EMC-C	H24BPR HOOD,CENTER LOCKING, TOP ENTRY M40, SIDE ENTRY M20, POWDER COATED, SILVER WHITE	H24BPR上壳, 中锁锁定, 顶出M40侧出M20, 钝化+银白色粉末喷涂	M40	M20
T1902243240-009	H24BPR-TG/SHC-M32/M40-EMC-C	H24BPR HOOD,CENTER LOCKING, TOP ENTRY M32, SIDE ENTRY M40, POWDER COATED, SILVER WHITE	H24BPR上壳, 中锁锁定, 顶出M32侧出M40, 钝化+银白色粉末喷涂	M32	M40
T1902242540-009	H24BPR-TG/SHC-M25/M40-EMC-C	H24BPR HOOD,CENTER LOCKING, TOP ENTRY M25, SIDE ENTRY M40, POWDER COATED, SILVER WHITE	H24BPR上壳, 中锁锁定, 顶出M25侧出M40, 钝化+银白色粉末喷涂	M25	M40
T1902242040-009	H24BPR-TG/SHC-M20/M40-EMC-C	H24BPR HOOD,CENTER LOCKING, TOP ENTRY M20, SIDE ENTRY M40, POWDER COATED, SILVER WHITE	H24BPR上壳, 中锁锁定, 顶出M20侧出M40, 钝化+银白色粉末喷涂	M20	M40
T1902241240-009	H24BPR-TS/GHC-2M40-EMC-C	H24BPR HOOD,CENTER LOCKING, SIDE/TOP ENTRY 2M40, POWDER COATED, SILVER WHITE	H24BPR上壳, 中锁锁定, 侧/顶出2M40, 钝化+银白色粉末喷涂	M40	M40
T1902241232-009	H24BPR-TS/GHC-2M32-EMC-C	H24BPR HOOD,CENTER LOCKING, SIDE/TOP ENTRY 2M32, POWDER COATED, SILVER WHITE	H24BPR上壳, 中锁锁定, 侧/顶出2M32, 钝化+银白色粉末喷涂	M32	M32
T1902241229-009	H24BPR-TS/GHC-2PG29-EMC-C	H24BPR HOOD,CENTER LOCKING, SIDE/TOP ENTRY 2PG29, POWDER COATED, SILVER WHITE	H24BPR上壳, 中锁锁定, 侧/顶出2PG29, 钝化+银白色粉末喷涂	PG29	PG29
T1902240240-009	H24BPR-TS/GHC-2M40-EMC-C	H24BPR HOOD,CENTER LOCKING, SIDE/TOP ENTRY 2M40, POWDER COATED, BLACK	H24BPR上壳, 中锁锁定, 侧/顶出2M40, 钝化+黑色粉末喷涂	M40	M40
T1902240232-009	H24BPR-TS/GHC-2M32-EMC-C	H24BPR HOOD,CENTER LOCKING, SIDE/TOP ENTRY 2M32, POWDER COATED, BLACK	H24BPR上壳, 中锁锁定, 侧/顶出2M32, 钝化+黑色粉末喷涂	M32	M32
T1902240229-009	H24BPR-TS/GHC-2PG29-EMC-C	H24BPR HOOD,CENTER LOCKING, SIDE/TOP ENTRY 2PG29, POWDER COATED, BLACK	H24BPR上壳, 中锁锁定, 侧/顶出2PG29, 钝化+黑色粉末喷涂	PG29	PG29

THIS DRAWING IS A CONTROLLED DOCUMENT. OWN: DAVID WANG 07JUN2016
 DIMENSIONS: mm TOLERANCES UNLESS OTHERWISE SPECIFIED: 0 PLC ±, 2 PLC ±, 3 PLC ±, 4 PLC ±, ANGLES FINISH ±.
 MATERIAL: - FINISH: - WEIGHT: -
 CUSTOMER DRAWING

DAVID WANG 07JUN2016
 CHRIS WANG
 XIANG XU 07JUN2016

STE TE Connectivity
 NAME: H24BPR-TS/GHC-PG/M-EMC-C AND H24BPR-TG/SHC-PG/M-EMC-C
 PRODUCT SPEC: 108-137191
 APPLICATION SPEC: 114-137191
 SIZE: A1 CAGE CODE: - DRAWING NO: T190224XXXXX09 RESTRICTED TO: -
 SCALE: 1:1 SHEET: 1 OF 1 REV: B

Printed on: 7 Jun 2021 15:24 (China Standard Time) from T190224667