

ABBREVIATION	DESCRIPTION	COLOR	MATERIAL
A-BLACK	HOUSING, KEYING OPTION A	BLACK	SPS/NYLON GF20
B-LIGHT GRAY	HOUSING, KEYING OPTION B	LIGHT GRAY	SPS/NYLON GF20
C-BROWN	HOUSING, KEYING OPTION C	BROWN	SPS/NYLON GF20
D-GREEN	HOUSING, KEYING OPTION D	GREEN	SPS/NYLON GF20
C-DARK GRAY	HOUSING, KEYING OPTION C	DARK GRAY	SPS/NYLON GF20
D-STONE GRAY	HOUSING, KEYING OPTION D	STONE GRAY	SPS/NYLON GF20
D-BLACK	HOUSING, KEYING OPTION D	BLACK	SPS/NYLON GF20
A-YELLOW	HOUSING, KEYING OPTION A	YELLOW	SPS/NYLON GF20
A-BLACK-CLIP	HOUSING, KEYING OPTION A WITH CLIPSLOT	BLACK	SPS/NYLON GF20
B-LIGHT GRAY-CLIP	HOUSING, KEYING OPTION B WITH CLIPSLOT	LIGHT GRAY	SPS/NYLON GF20
C-BROWN-CLIP	HOUSING, KEYING OPTION C WITH CLIPSLOT	BROWN	SPS/NYLON GF20
D-GREEN-CLIP	HOUSING, KEYING OPTION D WITH CLIPSLOT	GREEN	SPS/NYLON GF20
C-DARK GRAY-CLIP	HOUSING, KEYING OPTION C WITH CLIPSLOT	DARK GRAY	SPS/NYLON GF20
D-STONE GRAY-CLIP	HOUSING, KEYING OPTION D WITH CLIPSLOT	STONE GRAY	SPS/NYLON GF20
D-BLACK-CLIP	HOUSING, KEYING OPTION D WITH CLIPSLOT	BLACK	SPS/NYLON GF20
GCO	GROMMET CAP (OPEN)	BLACK	SPS/NYLON GF20
GCP	GROMMET CAP (PLUGGED)	BLACK	SPS/NYLON GF20
PLR	PLR	NATURAL	SPS/NYLON GF20
CPA	CPA	RED	PBT GF30
M	MAT SEAL	LIGHT BLUE	INHERENTLY LUBRICATED SILICONE
RG	RING SEAL	GREEN	INHERENTLY LUBRICATED SILICONE
RR	RING SEAL	RUST RED	INHERENTLY LUBRICATED SILICONE

FOR ADDITIONAL INFORMATION SEE SD-33472-0001

ASSEMBLY DESCRIPTION	ASSEMBLY PART NUMBER	COMPONENT						BLOCKED TERMINALS				STATUS	COMMENT	OPTIONAL ATTACHMENTS SOLD SEPARATELY			
		THE PRESENCE OF AN ABBREVIATION INDICATES THE PRESENCE OF THAT COMPONENT						CAVITY WITH A NUMBER INDICATES BLOCKED TERMINAL POSITION CAVITY WITHOUT A NUMBER INDICATES OPEN TERMINAL POSITION						BACKSHELL WITH RIBS	BACKSHELL WITHOUT RIBS	90° ADAPTOR WITH RIBS	90° ADAPTOR WITHOUT RIBS
		HOUSING KEY/COLOR	GROMMET CAP	PLR	CPA	MAT SEAL	RING SEAL										
MX150 ASSY RCP 2X4 BK A/8	334720801	A-BLACK	GCO	PLR		M	RG	-	-	-	-	OBSOLETE	SEE 334724801	N/A	N/A	N/A	N/A
MX150 ASSY RCP 2X4 LG B/8	334720802	B-LIGHT GRAY	GCO	PLR		M	RG	-	-	-	-	OBSOLETE	SEE 334724802	N/A	N/A	N/A	N/A
MX150 ASSY RCP 2X4 BR C/8	334720803	C-BROWN	GCO	PLR		M	RG	-	-	-	-	OBSOLETE	SEE 334724879	N/A	N/A	N/A	N/A
MX150 ASSY RCP 2X4 GR D/8	334720804	D-GREEN	GCO	PLR		M	RG	-	-	-	-	OBSOLETE	SEE 334724880	N/A	N/A	N/A	N/A
MX150 ASSY RCP 2X4 BK D/8	334720805	D-BLACK	GCO	PLR		M	RG	-	-	-	-	OBSOLETE	SEE 334724805	N/A	N/A	N/A	N/A
MX150 ASSY RCP 2X4 CPA BK A/8	334720806	A-BLACK	GCO	PLR	CPA	M	RG	-	-	-	-	OBSOLETE	SEE 334724806	N/A	N/A	N/A	N/A
MX150 ASSY RCP 2X4 CPA LG B/8	334720807	B-LIGHT GRAY	GCO	PLR	CPA	M	RG	-	-	-	-	OBSOLETE	SEE 334724807	N/A	N/A	N/A	N/A
MX150 ASSY RCP 2X4 CPA BR C/8	334720808	C-BROWN	GCO	PLR	CPA	M	RG	-	-	-	-	OBSOLETE	SEE 334724881	N/A	N/A	N/A	N/A
MX150 ASSY RCP 2X4 CPA GR D/8	334720809	D-GREEN	GCO	PLR	CPA	M	RG	-	-	-	-	OBSOLETE	SEE 334724882	N/A	N/A	N/A	N/A
MX150 ASSY RCP 2X4 BK A/7	334720811	A-BLACK	GCP	PLR		M	RG	-	-	-	4	OBSOLETE	SEE 334724811	N/A	N/A	N/A	N/A
MX150 ASSY RCP 2X4 LG B/7	334720812	B-LIGHT GRAY	GCP	PLR		M	RG	-	-	-	4	OBSOLETE	SEE 334724812	N/A	N/A	N/A	N/A
MX150 ASSY RCP 2X4 BR C/7	334720813	C-BROWN	GCP	PLR		M	RG	-	-	-	4	OBSOLETE		N/A	N/A	N/A	N/A
MX150 ASSY RCP 2X4 GR D/7	334720814	D-GREEN	GCP	PLR		M	RG	-	-	-	4	OBSOLETE	SEE 334725026	N/A	N/A	N/A	N/A

ASSEMBLY DESCRIPTION	ASSEMBLY PART NUMBER	COMPONENT						BLOCKED TERMINALS				STATUS	COMMENT	OPTIONAL ATTACHMENTS SOLD SEPARATELY			
		THE PRESENCE OF AN ABBREVIATION INDICATES THE PRESENCE OF THAT COMPONENT						CAVITY WITH A NUMBER INDICATES BLOCKED TERMINAL POSITION CAVITY WITHOUT A NUMBER INDICATES OPEN TERMINAL POSITION						BACKSHELL WITH RIBS	BACKSHELL WITHOUT RIBS	90° ADAPTOR WITH RIBS	90° ADAPTOR WITHOUT RIBS
		HOUSING KEY/COLOR	GROMMET CAP	PLR	CPA	MAT SEAL	RING SEAL										
MX150 ASSY RCP 2X4 CPA BK A/7	334720816	A-BLACK	GCP	PLR	CPA	M	RG	-	-	-	4	OBSOLETE	SEE 334724816	N/A	N/A	N/A	N/A
MX150 ASSY RCP 2X4 CPA LG B/7	334720817	B-LIGHT GRAY	GCP	PLR	CPA	M	RG	-	-	-	4	OBSOLETE	SEE 334724817	N/A	N/A	N/A	N/A
MX150 ASSY RCP 2X4 CPA BR C/7	334720818	C-BROWN	GCP	PLR	CPA	M	RG	-	-	-	4	OBSOLETE	SEE 334725070	N/A	N/A	N/A	N/A
MX150 ASSY RCP 2X4 CPA GR D/7	334720819	D-GREEN	GCP	PLR	CPA	M	RG	-	-	-	4	OBSOLETE	SEE 334725009	N/A	N/A	N/A	N/A
MX150 ASSY RCP 2X4 BK A/6	334720821	A-BLACK	GCP	PLR		M	RG	-	-	-	4	OBSOLETE	SEE 334724821	N/A	N/A	N/A	N/A
MX150 ASSY RCP 2X4 LG B/6	334720822	B-LIGHT GRAY	GCP	PLR		M	RG	-	-	-	4	OBSOLETE	SEE 334724822	N/A	N/A	N/A	N/A
MX150 ASSY RCP 2X4 BR C/6	334720823	C-BROWN	GCP	PLR		M	RG	-	-	-	4	OBSOLETE		N/A	N/A	N/A	N/A
MX150 ASSY RCP 2X4 GR D/6	334720824	D-GREEN	GCP	PLR		M	RG	-	-	-	4	OBSOLETE		N/A	N/A	N/A	N/A
MX150 ASSY RCP 2X4 CPA BK A/6	334720826	A-BLACK	GCP	PLR	CPA	M	RG	-	-	-	4	OBSOLETE	SEE 334724826	N/A	N/A	N/A	N/A
MX150 ASSY RCP 2X4 CPA LG B/6	334720827	B-LIGHT GRAY	GCP	PLR	CPA	M	RG	-	-	-	4	OBSOLETE	SEE 334724827	N/A	N/A	N/A	N/A
MX150 ASSY RCP 2X4 CPA BR C/6	334720828	C-BROWN	GCP	PLR	CPA	M	RG	-	-	-	4	OBSOLETE		N/A	N/A	N/A	N/A
MX150 ASSY RCP 2X4 CPA GR D/6	334720829	D-GREEN	GCP	PLR	CPA	M	RG	-	-	-	4	OBSOLETE	SEE 334725010	N/A	N/A	N/A	N/A
MX150 ASSY RCP 2X4 BK A/5	334720831	A-BLACK	GCP	PLR		M	RG	1	-	-	4	OBSOLETE	SEE 334724831	N/A	N/A	N/A	N/A
MX150 ASSY RCP 2X4 LG B/5	334720832	B-LIGHT GRAY	GCP	PLR		M	RG	1	-	-	4	OBSOLETE	SEE 334724832	N/A	N/A	N/A	N/A
MX150 ASSY RCP 2X4 BR C/5	334720833	C-BROWN	GCP	PLR		M	RG	1	-	-	4	OBSOLETE		N/A	N/A	N/A	N/A
MX150 ASSY RCP 2X4 GR D/5	334720834	D-GREEN	GCP	PLR		M	RG	1	-	-	4	OBSOLETE		N/A	N/A	N/A	N/A
MX150 ASSY RCP 2X4 CPA BK A/5	334720836	A-BLACK	GCP	PLR	CPA	M	RG	1	-	-	4	OBSOLETE	SEE 334724836	N/A	N/A	N/A	N/A
MX150 ASSY RCP 2X4 CPA LG B/5	334720837	B-LIGHT GRAY	GCP	PLR	CPA	M	RG	1	-	-	4	OBSOLETE	SEE 334724837	N/A	N/A	N/A	N/A
MX150 ASSY RCP 2X4 CPA BR C/5	334720838	C-BROWN	GCP	PLR	CPA	M	RG	1	-	-	4	OBSOLETE		N/A	N/A	N/A	N/A
MX150 ASSY RCP 2X4 CPA GR D/5	334720839	D-GREEN	GCP	PLR	CPA	M	RG	1	-	-	4	OBSOLETE		N/A	N/A	N/A	N/A
MX150 ASSY RCP 2X4 BK A/4	334720841	A-BLACK	GCP	PLR		M	RG	1	-	-	4	OBSOLETE	SEE 334724841	N/A	N/A	N/A	N/A
MX150 ASSY RCP 2X4 LG B/4	334720842	B-LIGHT GRAY	GCP	PLR		M	RG	1	-	-	4	OBSOLETE	SEE 334724842	N/A	N/A	N/A	N/A
MX150 ASSY RCP 2X4 BR C/4	334720843	C-BROWN	GCP	PLR		M	RG	1	-	-	4	OBSOLETE		N/A	N/A	N/A	N/A
MX150 ASSY RCP 2X4 GR D/4	334720844	D-GREEN	GCP	PLR		M	RG	1	-	-	4	OBSOLETE		N/A	N/A	N/A	N/A
MX150 ASSY RCP 2X4 CPA BK A/4	334720846	A-BLACK	GCP	PLR	CPA	M	RG	1	-	-	4	OBSOLETE	SEE 334724846	N/A	N/A	N/A	N/A
MX150 ASSY RCP 2X4 CPA LG B/4	334720847	B-LIGHT GRAY	GCP	PLR	CPA	M	RG	1	-	-	4	OBSOLETE	SEE 334724847	N/A	N/A	N/A	N/A
MX150 ASSY RCP 2X4 CPA BR C/4	334720848	C-BROWN	GCP	PLR	CPA	M	RG	1	-	-	4	OBSOLETE		N/A	N/A	N/A	N/A

ASSEMBLY DESCRIPTION	ASSEMBLY PART NUMBER	COMPONENT						BLOCKED TERMINALS				STATUS	COMMENT	OPTIONAL ATTACHMENTS SOLD SEPARATELY			
		THE PRESENCE OF AN ABBREVIATION INDICATES THE PRESENCE OF THAT COMPONENT						CAVITY WITH A NUMBER INDICATES BLOCKED TERMINAL POSITION CAVITY WITHOUT A NUMBER INDICATES OPEN TERMINAL POSITION						BACKSHELL WITH RIBS	BACKSHELL WITHOUT RIBS	90° ADAPTOR WITH RIBS	90° ADAPTOR WITHOUT RIBS
		HOUSING KEY/COLOR	GROMMET CAP	PLR	CPA	MAT SEAL	RING SEAL	1	2	3	4						
MX150 ASSY RCP 2X4 CPA GR D/4	334720849	D-GREEN	GCP	PLR	CPA	M	RG	1	-	-	4	OBSOLETE		N/A	N/A	N/A	N/A
								5	-	-	8						
MX150 ASSY RCP 2X4 BK A/0	334720851	A-BLACK	GCP	PLR		M	RG	1	2	3	4	OBSOLETE	SEE 334724851	N/A	N/A	N/A	N/A
								5	6	7	8						
MX150 ASSY RCP 2X4 LG B/0	334720852	B-LIGHT GRAY	GCP	PLR		M	RG	1	2	3	4	OBSOLETE	SEE 334724852	N/A	N/A	N/A	N/A
								5	6	7	8						
MX150 ASSY RCP 2X4 BR C/0	334720853	C-BROWN	GCP	PLR		M	RG	1	2	3	4	OBSOLETE		N/A	N/A	N/A	N/A
								5	6	7	8						
MX150 ASSY RCP 2X4 GR D/0	334720854	D-GREEN	GCP	PLR		M	RG	1	2	3	4	OBSOLETE	SEE 334725057	N/A	N/A	N/A	N/A
								5	6	7	8						
MX150 ASSY RCP 2X4 BK D/0	334720855	D-BLACK	GCP	PLR		M	RG	1	2	3	4	OBSOLETE	SEE 334724855	N/A	N/A	N/A	N/A
								5	6	7	8						
MX150 ASSY RCP 2X4 CPA BK A/5	334720856	A-BLACK	GCP	PLR	CPA	M	RG	-	2	-	-	OBSOLETE	SEE 334724856	N/A	N/A	N/A	N/A
								-	6	7	-						
MX150 ASSY RCP 2X4 CPA BK A/3	334720857	A-BLACK	GCP	PLR	CPA	M	RG	1	2	-	-	OBSOLETE	SEE 334724857	N/A	N/A	N/A	N/A
								5	6	7	-						
MX150 ASSY RCP 2X4 CPA BK A/2	334720858	A-BLACK	GCP	PLR	CPA	M	RG	1	2	3	-	OBSOLETE	SEE 334724858	N/A	N/A	N/A	N/A
								5	6	7	-						
MX150 ASSY RCP 2X4 BK A/2	334720859	A-BLACK	GCP	PLR		M	RG	1	2	3	-	OBSOLETE	SEE 334724859	N/A	N/A	N/A	N/A
								-	6	7	8						
MX150 ASSY RCP 2X4 BK D/7	334720860	D-BLACK	GCP	PLR		M	RG	-	-	-	4	OBSOLETE	SEE 334724860	N/A	N/A	N/A	N/A
								-	-	-	-						
MX150 ASSY RCP 2X4 BK A/7	334720861	A-BLACK	GCP	PLR		M	RG	-	-	-	-	OBSOLETE	SEE 334724861	N/A	N/A	N/A	N/A
								-	-	-	8						
MX150 ASSY RCP 2X4 BK A/7	334720862	A-BLACK	GCP	PLR		M	RG	1	-	-	-	OBSOLETE	SEE 334724862	N/A	N/A	N/A	N/A
								-	-	-	-						
MX150 ASSY RCP 2X4 BK A/4	334720863	A-BLACK	GCP	PLR		M	RG	-	2	3	-	OBSOLETE	SEE 334724863	N/A	N/A	N/A	N/A
								5	-	-	8						
MX150 ASSY RCP 2X4 BK A/5	334720864	A-BLACK	GCP	PLR		M	RG	1	-	3	-	OBSOLETE	SEE 334724864	N/A	N/A	N/A	N/A
								5	-	-	-						
MX150 ASSY RCP 2X4 BK A/6	334720865	A-BLACK	GCP	PLR		M	RG	1	-	-	-	OBSOLETE	SEE 334724865	N/A	N/A	N/A	N/A
								-	6	-	-						
MX150 ASSY RCP 2X4 BK A/3	334720866	A-BLACK	GCP	PLR		M	RG	-	2	3	-	OBSOLETE	SEE 334724866	N/A	N/A	N/A	N/A
								5	6	-	8						
MX150 ASSY RCP 2X4 BK A/4	334720867	A-BLACK	GCP	PLR		M	RG	1	-	3	-	OBSOLETE	SEE 334724867	N/A	N/A	N/A	N/A
								5	6	-	-						
MX150 ASSY RCP 2X4 BK A/5	334720868	A-BLACK	GCP	PLR		M	RG	-	-	-	-	OBSOLETE	SEE 334724868	N/A	N/A	N/A	N/A
								5	6	-	8						
MX150 ASSY RCP 2X4 BK A/7	334720869	A-BLACK	GCP	PLR		M	RG	-	-	-	-	OBSOLETE	SEE 334724869	N/A	N/A	N/A	N/A
								-	6	-	-						
MX150 ASSY RCP 2X4 BK A/2	334720870	A-BLACK	GCP	PLR		M	RG	1	-	3	-	OBSOLETE	SEE 334724870	N/A	N/A	N/A	N/A
								5	6	7	8						
MX150 ASSY RCP 2X4 BK A/2	334720871	A-BLACK	GCP	PLR		M	RG	-	2	3	4	OBSOLETE	SEE 334724871	N/A	N/A	N/A	N/A
								5	6	7	-						
MX150 ASSY RCP 2X4 BK A/6	334720872	A-BLACK	GCP	PLR		M	RG	-	-	-	-	OBSOLETE	SEE 334724872	N/A	N/A	N/A	N/A
								-	-	7	8						
MX150 ASSY RCP 2X4 BK A/3	334720873	A-BLACK	GCP	PLR		M	RG	-	2	3	-	OBSOLETE	SEE 334724873	N/A	N/A	N/A	N/A
								-	6	7	8						
MX150 ASSY RCP 2X4 BK A/6	334720874	A-BLACK	GCP	PLR		M	RG	-	2	3	-	OBSOLETE	SEE 334724874	N/A	N/A	N/A	N/A
								-	-	-	-						
MX150 ASSY RCP 2X4 BK A/6	334720875	A-BLACK	GCP	PLR		M	RG	1	-	-	4	OBSOLETE	SEE 334724875	N/A	N/A	N/A	N/A
								-	-	-	-						
MX150 ASSY RCP 2X4 BK A/2	334720876	A-BLACK	GCP	PLR		M	RG	-	2	3	-	OBSOLETE	SEE 334724876	N/A	N/A	N/A	N/A
								5	6	7	8						

ASSEMBLY DESCRIPTION	ASSEMBLY PART NUMBER	COMPONENT						BLOCKED TERMINALS				STATUS	COMMENT	OPTIONAL ATTACHMENTS SOLD SEPARATELY			
		THE PRESENCE OF AN ABBREVIATION INDICATES THE PRESENCE OF THAT COMPONENT						CAVITY WITH A NUMBER INDICATES BLOCKED TERMINAL POSITION CAVITY WITHOUT A NUMBER INDICATES OPEN TERMINAL POSITION						BACKSHELL WITH RIBS	BACKSHELL WITHOUT RIBS	90° ADAPTOR WITH RIBS	90° ADAPTOR WITHOUT RIBS
		HOUSING KEY/COLOR	GROMMET CAP	PLR	CPA	MAT SEAL	RING SEAL										
MX150 ASSY RCP 2X4 CPA BK A/7	334720877	A-BLACK	GCP	PLR	CPA	M	RG	-	-	-	-	OBSOLETE	SEE 334724877	N/A	N/A	N/A	N/A
MX150 ASSY RCP 2X4 BK A/5	334720878	A-BLACK	GCP	PLR		M	RG	-	-	3	-	OBSOLETE	SEE 334724878	N/A	N/A	N/A	N/A
MX150 ASSY RCP 2X4 DG C/8	334720879	C-DARK GRAY	GCO	PLR		M	RG	-	-	-	-	OBSOLETE	SEE 334724879	N/A	N/A	N/A	N/A
MX150 ASSY RCP 2X4 SG D/8	334720880	D-STONE GRAY	GCO	PLR		M	RG	-	-	-	-	OBSOLETE	SEE 334724880	N/A	N/A	N/A	N/A
MX150 ASSY RCP 2X4 CPA DG C/8	334720881	C-DARK GRAY	GCO	PLR	CPA	M	RG	-	-	-	-	OBSOLETE	SEE 334724881	N/A	N/A	N/A	N/A
MX150 ASSY RCP 2X4 CPA SG D/8	334720882	D-STONE GRAY	GCO	PLR	CPA	M	RG	-	-	-	-	OBSOLETE	SEE 334724882	N/A	N/A	N/A	N/A
MX150 ASSY RCP 2X4 BK A/2	334720883	A-BLACK	GCP	PLR		M	RG	-	2	3	4	OBSOLETE	SEE 334724883	N/A	N/A	N/A	N/A
MX150 ASSY RCP 2X4 BK A/5	334720884	A-BLACK	GCP	PLR		M	RG	-	-	3	-	OBSOLETE	SEE 334724884	N/A	N/A	N/A	N/A
MX150 ASSY RCP 2X4 BK A/2	334720885	A-BLACK	GCP	PLR		M	RG	-	2	3	4	OBSOLETE	SEE 334724885	N/A	N/A	N/A	N/A
MX150 ASSY RCP 2X4 BK A/5	334720886	A-BLACK	GCP	PLR		M	RG	-	-	3	-	OBSOLETE	SEE 334724886	N/A	N/A	N/A	N/A
MX150 ASSY RCP 2X4 CPA LG B/7	334720887	B-LIGHT GRAY	GCP	PLR	CPA	M	RG	-	-	-	-	OBSOLETE	SEE 334724887	N/A	N/A	N/A	N/A
MX150 ASSY RCP 2X4 LG B/6	334720888	B-LIGHT GRAY	GCP	PLR		M	RG	1	-	-	-	OBSOLETE	SEE 334724888	N/A	N/A	N/A	N/A
MX150 ASSY RCP 2X4 BK A/6	334720889	A-BLACK	GCP	PLR		M	RG	1	-	-	-	OBSOLETE	SEE 334724889	N/A	N/A	N/A	N/A
MX150 ASSY RCP 2X4 CPA YW A/6	334720890	A-YELLOW	GCP	PLR	CPA	M	RG	-	2	3	-	OBSOLETE	SEE 334724890	N/A	N/A	N/A	N/A
MX150 ASSY RCP 2X4 CPA YW A/8	334720891	A-YELLOW	GCO	PLR	CPA	M	RG	-	-	-	-	OBSOLETE	SEE 334724891	N/A	N/A	N/A	N/A
MX150 ASSY RCP 2X4 YW A/8	334720892	A-YELLOW	GCO	PLR		M	RG	-	-	-	-	OBSOLETE	SEE 334724892	N/A	N/A	N/A	N/A
MX150 ASSY RCP 2X4 CPA BK A/7	334720893	A-BLACK	GCP	PLR	CPA	M	RG	-	-	-	-	OBSOLETE	SEE 334724893	N/A	N/A	N/A	N/A
MX150 ASSY RCP 2X4 CPA BK A/2	334720894	A-BLACK	GCP	PLR	CPA	M	RG	1	2	3	-	OBSOLETE	SEE 334724894	N/A	N/A	N/A	N/A
MX150 ASSY RCP 2X4 BK A/6	334720895	A-BLACK	GCP	PLR		M	RG	1	2	-	-	OBSOLETE	SEE 334724895	N/A	N/A	N/A	N/A
MX150 ASSY RCP 2X4 BK A/4	334720896	A-BLACK	GCP	PLR		M	RG	1	2	3	4	OBSOLETE	SEE 334725001	N/A	N/A	N/A	N/A
MX150 ASSY RCP 2X4 LG B/7	334720897	B-LIGHT GRAY	GCP	PLR		M	RG	-	-	-	-	OBSOLETE	SEE 334725002	N/A	N/A	N/A	N/A
MX150 ASSY RCP 2X4 BK A/6	334720898	A-BLACK	GCP	PLR		M	RG	1	-	-	4	OBSOLETE	SEE 334724875	N/A	N/A	N/A	N/A
MX150 ASSY RCP 2X4 BK A/2	334720899	A-BLACK	GCP	PLR		M	RG	-	2	3	-	OBSOLETE	SEE 334724876	N/A	N/A	N/A	N/A
MX150 ASSY RCP 2X4 CPA BK A/7	334720900	A-BLACK	GCP	PLR	CPA	M	RG	-	-	-	-	OBSOLETE	SEE 334724877	N/A	N/A	N/A	N/A
MX150 ASSY RCP 2X4 CS BK A/8	334720901	A-BLACK-CLIP	GCO	PLR		M	RG	-	-	-	-	OBSOLETE	SEE 334724901	34951-0811	34951-0821	34951-0831	34951-0841
MX150 ASSY RCP 2X4 CS LG B/8	334720902	B-LIGHT GRAY-CLIP	GCO	PLR		M	RG	-	-	-	-	OBSOLETE	SEE 334724902	34951-0811	34951-0821	34951-0831	34951-0841
MX150 ASSY RCP 2X4 CS BR C/8	334720903	C-BROWN-CLIP	GCO	PLR		M	RG	-	-	-	-	OBSOLETE	SEE 334724922	34951-0811	34951-0821	34951-0831	34951-0841

ASSEMBLY DESCRIPTION	ASSEMBLY PART NUMBER	COMPONENT						BLOCKED TERMINALS				STATUS	COMMENT	OPTIONAL ATTACHMENTS SOLD SEPARATELY			
		THE PRESENCE OF AN ABBREVIATION INDICATES THE PRESENCE OF THAT COMPONENT						CAVITY WITH A NUMBER INDICATES BLOCKED TERMINAL POSITION CAVITY WITHOUT A NUMBER INDICATES OPEN TERMINAL POSITION						BACKSHELL WITH RIBS	BACKSHELL WITHOUT RIBS	90° ADAPTOR WITH RIBS	90° ADAPTOR WITHOUT RIBS
		HOUSING KEY/COLOR	GROMMET CAP	PLR	CPA	MAT SEAL	RING SEAL										
MX150 ASSY RCP 2X4 CS GR D/8	334720904	D-GREEN-CLIP	GCO	PLR		M	RG	-	-	-	-	OBSOLETE	SEE 334724923	34951-0811	34951-0821	34951-0831	34951-0841
MX150 ASSY RCP 2X4 CS BK D/8	334720905	D-BLACK-CLIP	GCO	PLR		M	RG	-	-	-	-	OBSOLETE	SEE 334724905	34951-0811	34951-0821	34951-0831	34951-0841
MX150 ASSY RCP 2X4 CS CPA BK A/8	334720906	A-BLACK-CLIP	GCO	PLR	CPA	M	RG	-	-	-	-	OBSOLETE	SEE 334724906	34951-0811	34951-0821	34951-0831	34951-0841
MX150 ASSY RCP 2X4 CS CPA LG B/8	334720907	B-LIGHT GRAY-CLIP	GCO	PLR	CPA	M	RG	-	-	-	-	OBSOLETE	SEE 334724907	34951-0811	34951-0821	34951-0831	34951-0841
MX150 ASSY RCP 2X4 CS CPA BR C/8	334720908	C-BROWN-CLIP	GCO	PLR	CPA	M	RG	-	-	-	-	OBSOLETE	SEE 334724924	34951-0811	34951-0821	34951-0831	34951-0841
MX150 ASSY RCP 2X4 CS CPA GR D/8	334720909	D-GREEN-CLIP	GCO	PLR	CPA	M	RG	-	-	-	-	OBSOLETE	SEE 334724925	34951-0811	34951-0821	34951-0831	34951-0841
MX150 ASSY RCP 2X4 CS BK A/7	334720910	A-BLACK-CLIP	GCP	PLR		M	RG	-	-	-	4	OBSOLETE	SEE 334724910	34951-0811	34951-0821	34951-0831	34951-0841
MX150 ASSY RCP 2X4 CS BK A/6	334720920	A-BLACK-CLIP	GCP	PLR		M	RG	-	-	-	4	OBSOLETE	SEE 334724920	34951-0811	34951-0821	34951-0831	34951-0841
MX150 ASSY RCP 2X4 CS BK A/7	334720921	A-BLACK-CLIP	GCP	PLR		M	RG	-	-	-	8	OBSOLETE	SEE 334724921	34951-0811	34951-0821	34951-0831	34951-0841
MX150 ASSY RCP 2X4 CS DG C/8	334720922	C-DARK GRAY-CLIP	GCO	PLR		M	RG	-	-	-	-	OBSOLETE	SEE 334724922	34951-0811	34951-0821	34951-0831	34951-0841
MX150 ASSY RCP 2X4 CS SG D/8	334720923	D-STONE GRAY-CLIP	GCO	PLR		M	RG	-	-	-	-	OBSOLETE	SEE 334724923	34951-0811	34951-0821	34951-0831	34951-0841
MX150 ASSY RCP 2X4 CS CPA DG C/8	334720924	C-DARK GRAY-CLIP	GCO	PLR	CPA	M	RG	-	-	-	-	OBSOLETE	SEE 334724924	34951-0811	34951-0821	34951-0831	34951-0841
MX150 ASSY RCP 2X4 CS CPA SG D/8	334720925	D-STONE GRAY-CLIP	GCO	PLR	CPA	M	RG	-	-	-	-	OBSOLETE	SEE 334724925	34951-0811	34951-0821	34951-0831	34951-0841
MX150 ASSY RCP 2X4 CS LG B/6	334720926	B-LIGHT GRAY-CLIP	GCP	PLR		M	RG	-	-	-	4	OBSOLETE	SEE 334724926	34951-0811	34951-0821	34951-0831	34951-0841
MX150 ASSY RCP 2X4 CS CPA BK A/6	334720927	A-BLACK-CLIP	GCP	PLR	CPA	M	RG	-	-	-	4	OBSOLETE	SEE 334724927	34951-0811	34951-0821	34951-0831	34951-0841
MX150 ASSY RCP 2X4 CS CPA LG B/6	334720928	B-LIGHT GRAY-CLIP	GCP	PLR	CPA	M	RG	-	-	-	4	OBSOLETE	SEE 334724928	34951-0811	34951-0821	34951-0831	34951-0841
MX150 ASSY RCP 2X4 CS BK A/4	334720929	A-BLACK-CLIP	GCP	PLR		M	RG	-	-	-	4	OBSOLETE	SEE 334724929	34951-0811	34951-0821	34951-0831	34951-0841
MX150 ASSY RCP 2X4 CS BK A/2	334720930	A-BLACK-CLIP	GCP	PLR		M	RG	5	-	7	8	OBSOLETE	SEE 334724930	34951-0811	34951-0821	34951-0831	34951-0841
MX150 ASSY RCP 2X4 CS BK A/4	334720931	A-BLACK-CLIP	GCP	PLR		M	RG	1	2	3	-	OBSOLETE	SEE 334724931	34951-0811	34951-0821	34951-0831	34951-0841
MX150 ASSY RCP 2X4 CS BK A/6	334720932	A-BLACK-CLIP	GCP	PLR		M	RG	-	6	-	-	OBSOLETE	SEE 334724932	34951-0811	34951-0821	34951-0831	34951-0841
MX150 ASSY RCP 2X4 CS CPA BK A/7	334720933	A-BLACK-CLIP	GCP	PLR	CPA	M	RG	-	-	-	-	OBSOLETE	SEE 334724933	34951-0811	34951-0821	34951-0831	34951-0841
MX150 ASSY RCP 2X4 CS CPA LG B/7	334720934	B-LIGHT GRAY-CLIP	GCP	PLR	CPA	M	RG	-	-	-	-	OBSOLETE	SEE 334724934	34951-0811	34951-0821	34951-0831	34951-0841
MX150 ASSY RCP 2X4 CS CPA BK A/2	334720935	A-BLACK-CLIP	GCP	PLR	CPA	M	RG	-	2	3	4	OBSOLETE	SEE 334724935	34951-0811	34951-0821	34951-0831	34951-0841
MX150 ASSY RCP 2X4 CS BK A/5	334720936	A-BLACK-CLIP	GCP	PLR		M	RG	-	6	7	8	OBSOLETE	SEE 334724936	34951-0811	34951-0821	34951-0831	34951-0841
MX150 ASSY RCP 2X4 CS BK A/6	334720937	A-BLACK-CLIP	GCP	PLR		M	RG	5	-	-	8	OBSOLETE	SEE 334724937	34951-0811	34951-0821	34951-0831	34951-0841
MX150 ASSY RCP 2X4 CS BK A/7	334720938	A-BLACK-CLIP	GCP	PLR		M	RG	-	-	-	-	OBSOLETE	SEE 334724938	34951-0811	34951-0821	34951-0831	34951-0841
MX150 ASSY RCP 2X4 CS BK A/3	334720939	A-BLACK-CLIP	GCP	PLR		M	RG	5	6	7	8	OBSOLETE	SEE 334724939	34951-0811	34951-0821	34951-0831	34951-0841

ASSEMBLY DESCRIPTION	ASSEMBLY PART NUMBER	COMPONENT						BLOCKED TERMINALS				STATUS	COMMENT	OPTIONAL ATTACHMENTS SOLD SEPARATELY			
		THE PRESENCE OF AN ABBREVIATION INDICATES THE PRESENCE OF THAT COMPONENT						CAVITY WITH A NUMBER INDICATES BLOCKED TERMINAL POSITION CAVITY WITHOUT A NUMBER INDICATES OPEN TERMINAL POSITION						BACKSHELL WITH RIBS	BACKSHELL WITHOUT RIBS	90° ADAPTOR WITH RIBS	90° ADAPTOR WITHOUT RIBS
		HOUSING KEY/COLOR	GROMMET CAP	PLR	CPA	MAT SEAL	RING SEAL										
MX150 ASSY RCP 2X4 CS BK A/4	334720940	A-BLACK-CLIP	GCP	PLR		M	RG	1	2	-	-	OBSOLETE	SEE 334724940	34951-0811	34951-0821	34951-0831	34951-0841
								5	6	-	-						
MX150 ASSY RCP 2X4 CS BK A/2	334720941	A-BLACK-CLIP	GCP	PLR		M	RG	1	2	3	4	OBSOLETE	SEE 334724941	34951-0811	34951-0821	34951-0831	34951-0841
								5	6	-	-						
MX150 ASSY RCP 2X4 CS BK A/5	334720944	A-BLACK-CLIP	GCP	PLR		M	RG	-	-	-	4	OBSOLETE	SEE 334724944	34951-0811	34951-0821	34951-0831	34951-0841
								5	-	7	-						
MX150 ASSY RCP 2X4 CS BK A/7	334720945	A-BLACK-CLIP	GCP	PLR		M	RG	-	-	-	-	OBSOLETE	SEE 334724945	34951-0811	34951-0821	34951-0831	34951-0841
								-	-	7	-						
MX150 ASSY RCP 2X4 CS BK A/6	334720946	A-BLACK-CLIP	GCP	PLR		M	RG	-	-	3	-	OBSOLETE	SEE 334724946	34951-0811	34951-0821	34951-0831	34951-0841
								-	-	7	-						
MX150 ASSY RCP 2X4 BK A/4	334721001	A-BLACK	GCP	PLR		M	RG	1	2	3	4	OBSOLETE	SEE 334725001	N/A	N/A	N/A	N/A
								-	-	-	-						
MX150 ASSY RCP 2X4 LG B/7	334721002	B-LIGHT GRAY	GCP	PLR		M	RG	-	-	-	-	OBSOLETE	SEE 334725002	N/A	N/A	N/A	N/A
								-	6	-	-						
MX150 ASSY RCP 2X4 BK A/6	334721003	A-BLACK	GCP	PLR		M	RG	1	-	-	4	OBSOLETE	SEE 334724875	N/A	N/A	N/A	N/A
								-	-	-	-						
MX150 ASSY RCP 2X4 BK A/2	334721004	A-BLACK	GCP	PLR		M	RG	-	2	3	-	OBSOLETE	SEE 334724876	N/A	N/A	N/A	N/A
								5	6	7	8						
MX150 ASSY RCP 2X4 CPA BK A/7	334721005	A-BLACK	GCP	PLR	CPA	M	RG	-	-	-	-	OBSOLETE	SEE 334724877	N/A	N/A	N/A	N/A
								-	-	-	8						
MX150 ASSY RCP 2X4 BK A/2	334721006	A-BLACK	GCP	PLR		M	RG	1	2	3	4	OBSOLETE	SEE 334725006	N/A	N/A	N/A	N/A
								5	6	-	-						
MX150 ASSY RCP 2X4 CPA BK A/6	334721007	A-BLACK	GCP	PLR	CPA	M	RG	-	-	-	-	OBSOLETE	SEE 334725007	N/A	N/A	N/A	N/A
								-	6	7	-						
MX150 ASSY RCP 2X4 CPA BK A/7	334721008	A-BLACK	GCP	PLR	CPA	M	RG	-	-	-	-	OBSOLETE	SEE 334725008	N/A	N/A	N/A	N/A
								-	-	7	-						
MX150 ASSY RCP 2X4 CPA SG D/7	334721009	D-STONE GRAY	GCP	PLR	CPA	M	RG	-	-	-	4	OBSOLETE	SEE 334725009	N/A	N/A	N/A	N/A
								-	-	-	-						
MX150 ASSY RCP 2X4 CPA SG D/6	334721010	D-STONE GRAY	GCP	PLR	CPA	M	RG	-	-	-	4	OBSOLETE	SEE 334725010	N/A	N/A	N/A	N/A
								5	-	-	-						
MX150 ASSY RCP 2X4 CPA SG D/5	334721011	D-STONE GRAY	GCP	PLR	CPA	M	RG	-	-	-	4	OBSOLETE	SEE 334725011	N/A	N/A	N/A	N/A
								5	6	-	-						
MX150 ASSY RCP 2X4 BK A/5	334721012	A-BLACK	GCP	PLR		M	RG	-	-	-	4	OBSOLETE	SEE 334725012	N/A	N/A	N/A	N/A
								-	-	7	8						
MX150 ASSY RCP 2X4 CPA BK A/2	334721013	A-BLACK	GCP	PLR	CPA	M	RG	-	-	3	4	OBSOLETE	SEE 334725013	N/A	N/A	N/A	N/A
								5	6	7	8						
MX150 ASSY RCP 2X4 BK A/2	334721014	A-BLACK	GCP	PLR		M	RG	-	-	3	4	OBSOLETE	SEE 334725014	N/A	N/A	N/A	N/A
								5	6	7	8						
MX150 ASSY RCP 2X4 CPA BK A/5	334721015	A-BLACK	GCP	PLR	CPA	M	RG	-	-	-	4	OBSOLETE	SEE 334725015	N/A	N/A	N/A	N/A
								-	-	7	8						
MX150 ASSY RCP 2X4 BK A/5	334721016	A-BLACK	GCP	PLR		M	RG	-	-	-	-	OBSOLETE	SEE 334725016	N/A	N/A	N/A	N/A
								-	6	7	8						
MX150 ASSY RCP 2X4 BK A/4	334721017	A-BLACK	GCP	PLR		M	RG	1	-	3	4	OBSOLETE	SEE 334725017	N/A	N/A	N/A	N/A
								-	-	-	8						
MX150 ASSY RCP 2X4 CPA BK A/4	334721018	A-BLACK	GCP	PLR	CPA	M	RG	-	-	-	-	OBSOLETE	SEE 334725018	N/A	N/A	N/A	N/A
								5	6	7	8						
MX150 ASSY RCP 2X4 CPA BK A/6	334721019	A-BLACK	GCP	PLR	CPA	M	RG	-	-	-	-	OBSOLETE	SEE 334725019	N/A	N/A	N/A	N/A
								-	-	7	8						
MX150 ASSY RCP 2X4 CPA BK A/2	334721020	A-BLACK	GCP	PLR	CPA	M	RG	-	2	3	4	OBSOLETE	SEE 334725020	N/A	N/A	N/A	N/A
								-	6	7	8						
MX150 ASSY RCP 2X4 CPA BK A/0	334721021	A-BLACK	GCP	PLR	CPA	M	RG	1	2	3	4	OBSOLETE	SEE 334725021	N/A	N/A	N/A	N/A
								5	6	7	8						
MX150 ASSY RCP 2X4 CPA BK A/6	334721022	A-BLACK	GCP	PLR	CPA	M	RG	1	-	-	-	OBSOLETE	SEE 334725022	N/A	N/A	N/A	N/A
								5	-	-	-						

ASSEMBLY DESCRIPTION	ASSEMBLY PART NUMBER	COMPONENT						BLOCKED TERMINALS				STATUS	COMMENT	OPTIONAL ATTACHMENTS SOLD SEPARATELY			
		THE PRESENCE OF AN ABBREVIATION INDICATES THE PRESENCE OF THAT COMPONENT						CAVITY WITH A NUMBER INDICATES BLOCKED TERMINAL POSITION CAVITY WITHOUT A NUMBER INDICATES OPEN TERMINAL POSITION						BACKSHELL WITH RIBS	BACKSHELL WITHOUT RIBS	90° ADAPTOR WITH RIBS	90° ADAPTOR WITHOUT RIBS
		HOUSING KEY/COLOR	GROMMET CAP	PLR	CPA	MAT SEAL	RING SEAL										
MX150 ASSY RCP 2X4 BK A/4	334721023	A-BLACK	GCP	PLR		M	RG	-	-	-	-	OBSOLETE	SEE 334725023	N/A	N/A	N/A	N/A
MX150 ASSY RCP 2X4 BK A/6	334721024	A-BLACK	GCP	PLR		M	RG	5	6	7	8	OBSOLETE	SEE 334725024	N/A	N/A	N/A	N/A
MX150 ASSY RCP 2X4 SG D/5	334721025	D-STONE GRAY	GCP	PLR		M	RG	-	-	-	4	OBSOLETE	SEE 334725025	N/A	N/A	N/A	N/A
MX150 ASSY RCP 2X4 SG D/7	334721026	D-STONE GRAY	GCP	PLR		M	RG	5	6	-	-	OBSOLETE	SEE 334725026	N/A	N/A	N/A	N/A
MX150 ASSY RCP 2X4 LG B/6	334721027	B-LIGHT GRAY	GCP	PLR		M	RG	-	-	-	-	OBSOLETE	SEE 334725027	N/A	N/A	N/A	N/A
MX150 ASSY RCP 2X4 BK A/2	334721028	A-BLACK	GCP	PLR		M	RG	1	2	3	4	OBSOLETE	SEE 334725028	N/A	N/A	N/A	N/A
MX150 ASSY RCP 2X4 BK A/5	334721029	A-BLACK	GCP	PLR		M	RG	-	-	3	4	OBSOLETE	SEE 334725029	N/A	N/A	N/A	N/A
MX150 ASSY RCP 2X4 BK A/2	334721030	A-BLACK	GCP	PLR		M	RG	1	2	3	4	OBSOLETE	SEE 334725030	N/A	N/A	N/A	N/A
MX150 ASSY RCP 2X4 BK A/7	334721031	A-BLACK	GCP	PLR		M	RG	5	-	7	-	OBSOLETE	SEE 334725031	N/A	N/A	N/A	N/A
MX150 ASSY RCP 2X4 BK A/6	334721032	A-BLACK	GCP	PLR		M	RG	-	2	-	-	OBSOLETE	SEE 334725032	N/A	N/A	N/A	N/A
MX150 ASSY RCP 2X4 LG B/5	334721033	B-LIGHT GRAY	GCP	PLR		M	RG	1	-	3	-	OBSOLETE	SEE 334725033	N/A	N/A	N/A	N/A
MX150 ASSY RCP 2X4 LG B/6	334721034	B-LIGHT GRAY	GCP	PLR		M	RG	-	-	3	-	OBSOLETE	SEE 334725034	N/A	N/A	N/A	N/A
MX150 ASSY RCP 2X4 LG B/7	334721035	B-LIGHT GRAY	GCP	PLR		M	RG	1	-	-	-	OBSOLETE	SEE 334725035	N/A	N/A	N/A	N/A
MX150 ASSY RCP 2X4 BK A/6	334721036	A-BLACK	GCP	PLR		M	RG	1	-	-	-	OBSOLETE	SEE 334725036	N/A	N/A	N/A	N/A
MX150 ASSY RCP 2X4 BK A/6	334721037	A-BLACK	GCP	PLR		M	RG	-	-	-	8	OBSOLETE	SEE 334725037	N/A	N/A	N/A	N/A
MX150 ASSY RCP 2X4 BK A/2	334721038	A-BLACK	GCP	PLR		M	RG	1	-	-	4	OBSOLETE	SEE 334725038	N/A	N/A	N/A	N/A
MX150 ASSY RCP 2X4 BK A/6	334721039	A-BLACK	GCP	PLR		M	RG	-	2	-	-	OBSOLETE	SEE 334725039	N/A	N/A	N/A	N/A
MX150 ASSY RCP 2X4 LG B/6	334721040	B-LIGHT GRAY	GCP	PLR		M	RG	-	-	-	-	OBSOLETE	SEE 334725040	N/A	N/A	N/A	N/A
MX150 ASSY RCP 2X4 BK A/3	334721041	A-BLACK	GCP	PLR		M	RG	5	6	7	8	OBSOLETE	SEE 334725041	N/A	N/A	N/A	N/A
MX150 ASSY RCP 2X4 BK A/6	334721042	A-BLACK	GCP	PLR		M	RG	-	-	-	-	OBSOLETE	SEE 334725042	N/A	N/A	N/A	N/A
MX150 ASSY RCP 2X4 BK A/4	334721043	A-BLACK	GCP	PLR		M	RG	5	6	-	-	OBSOLETE	SEE 334725043	N/A	N/A	N/A	N/A
MX150 ASSY RCP 2X4 BK A/2	334721044	A-BLACK	GCP	PLR		M	RG	1	2	3	4	OBSOLETE	SEE 334725044	N/A	N/A	N/A	N/A
MX150 ASSY RCP 2X4 BK A/6	334721045	A-BLACK	GCP	PLR		M	RG	-	6	-	4	OBSOLETE	SEE 334725045	N/A	N/A	N/A	N/A
MX150 ASSY RCP 2X4 CPA BK A/6	334721046	A-BLACK	GCP	PLR	CPA	M	RG	1	-	-	-	OBSOLETE	SEE 334725046	N/A	N/A	N/A	N/A
MX150 ASSY RCP 2X4 LG B/7	334721047	B-LIGHT GRAY	GCP	PLR		M	RG	-	-	-	-	OBSOLETE	SEE 334725047	N/A	N/A	N/A	N/A
MX150 ASSY RCP 2X4 BK A/3	334721048	A-BLACK	GCP	PLR		M	RG	1	2	-	-	OBSOLETE	SEE 334725048	N/A	N/A	N/A	N/A
MX150 ASSY RCP 2X4 BK A/5	334721049	A-BLACK	GCP	PLR		M	RG	5	6	-	8	OBSOLETE	SEE 334725049	N/A	N/A	N/A	N/A

ASSEMBLY DESCRIPTION	ASSEMBLY PART NUMBER	COMPONENT						BLOCKED TERMINALS				STATUS	COMMENT	OPTIONAL ATTACHMENTS SOLD SEPARATELY			
		THE PRESENCE OF AN ABBREVIATION INDICATES THE PRESENCE OF THAT COMPONENT						CAVITY WITH A NUMBER INDICATES BLOCKED TERMINAL POSITION CAVITY WITHOUT A NUMBER INDICATES OPEN TERMINAL POSITION						BACKSHELL WITH RIBS	BACKSHELL WITHOUT RIBS	90° ADAPTOR WITH RIBS	90° ADAPTOR WITHOUT RIBS
		HOUSING KEY/COLOR	GROMMET CAP	PLR	CPA	MAT SEAL	RING SEAL										
MX150 ASSY RCP 2X4 BK A/5	334721050	A-BLACK	GCP	PLR		M	RG	-	-	-	4	OBSOLETE	SEE 334725050	N/A	N/A	N/A	N/A
MX150 ASSY RCP 2X4 BK A/4	334721051	A-BLACK	GCP	PLR		M	RG	5	6	-	-	OBSOLETE	SEE 334725051	N/A	N/A	N/A	N/A
MX150 ASSY RCP 2X4 BK A/4	334721052	A-BLACK	GCP	PLR		M	RG	1	2	3	-	OBSOLETE	SEE 334725052	N/A	N/A	N/A	N/A
MX150 ASSY RCP 2X4 BK A/4	334721053	A-BLACK	GCP	PLR		M	RG	-	6	-	-	OBSOLETE	SEE 334725053	N/A	N/A	N/A	N/A
MX150 ASSY RCP 2X4 BK A/3	334721054	A-BLACK	GCP	PLR		M	RG	-	-	-	4	OBSOLETE	SEE 334725054	N/A	N/A	N/A	N/A
MX150 ASSY RCP 2X4 BK A/6	334721055	A-BLACK	GCP	PLR		M	RG	5	-	7	8	OBSOLETE	SEE 334725055	N/A	N/A	N/A	N/A
MX150 ASSY RCP 2X4 BK A/5	334721056	A-BLACK	GCP	PLR		M	RG	-	-	3	4	OBSOLETE	SEE 334725056	N/A	N/A	N/A	N/A
MX150 ASSY RCP 2X4 SG D/0	334721057	D-STONE GRAY	GCP	PLR		M	RG	-	-	7	8	OBSOLETE	SEE 334725057	N/A	N/A	N/A	N/A
MX150 ASSY RCP 2X4 CPA BK A/5	334721058	A-BLACK	GCP	PLR	CPA	M	RG	1	-	3	4	OBSOLETE	SEE 334725058	N/A	N/A	N/A	N/A
MX150 ASSY RCP 2X4 LG B/6	334721059	B-LIGHT GRAY	GCP	PLR		M	RG	-	-	7	8	OBSOLETE	SEE 334725059	N/A	N/A	N/A	N/A
MX150 ASSY RCP 2X4 LG B/7	334721060	B-LIGHT GRAY	GCP	PLR		M	RG	-	2	-	-	OBSOLETE	SEE 334725060	N/A	N/A	N/A	N/A
MX150 ASSY RCP 2X4 BK A/2	334721061	A-BLACK	GCP	PLR		M	RG	-	-	-	4	OBSOLETE	SEE 334725061	N/A	N/A	N/A	N/A
MX150 ASSY RCP 2X4 BK A/4	334721062	A-BLACK	GCP	PLR		M	RG	5	-	-	8	OBSOLETE	SEE 334725062	N/A	N/A	N/A	N/A
MX150 ASSY RCP 2X4 BK A/8	334724801	A-BLACK	GCO	PLR		M	RR	1	2	3	4	SALEABLE		N/A	N/A	N/A	N/A
MX150 ASSY RCP 2X4 LG B/8	334724802	B-LIGHT GRAY	GCO	PLR		M	RR	5	6	7	8	SALEABLE		N/A	N/A	N/A	N/A
MX150 ASSY RCP 2X4 BR C/8	334724803	C-BROWN	GCO	PLR		M	RR	-	2	-	-	NOT RECOMMENDED	SEE 334724879	N/A	N/A	N/A	N/A
MX150 ASSY RCP 2X4 GR D/8	334724804	D-GREEN	GCO	PLR		M	RR	-	-	-	-	NOT RECOMMENDED	SEE 334724880	N/A	N/A	N/A	N/A
MX150 ASSY RCP 2X4 BK D/8	334724805	D-BLACK	GCO	PLR		M	RR	-	-	-	-	SALEABLE		N/A	N/A	N/A	N/A
MX150 ASSY RCP 2X4 CPA BK A/8	334724806	A-BLACK	GCO	PLR	CPA	M	RR	-	-	-	-	SALEABLE		N/A	N/A	N/A	N/A
MX150 ASSY RCP 2X4 CPA LG B/8	334724807	B-LIGHT GRAY	GCO	PLR	CPA	M	RR	-	-	-	-	SALEABLE		N/A	N/A	N/A	N/A
MX150 ASSY RCP 2X4 CPA BR C/8	334724808	C-BROWN	GCO	PLR	CPA	M	RR	-	-	-	-	NOT RECOMMENDED	SEE 334724881	N/A	N/A	N/A	N/A
MX150 ASSY RCP 2X4 CPA GR D/8	334724809	D-GREEN	GCO	PLR	CPA	M	RR	-	-	-	-	NOT RECOMMENDED	SEE 334724882	N/A	N/A	N/A	N/A
MX150 ASSY RCP 2X4 BK A/7	334724811	A-BLACK	GCP	PLR		M	RR	-	-	-	4	SALEABLE		N/A	N/A	N/A	N/A
MX150 ASSY RCP 2X4 LG B/7	334724812	B-LIGHT GRAY	GCP	PLR		M	RR	-	-	-	4	SALEABLE		N/A	N/A	N/A	N/A
MX150 ASSY RCP 2X4 BR C/7	334724813	C-BROWN	GCP	PLR		M	RR	-	-	-	4	NOT RECOMMENDED		N/A	N/A	N/A	N/A
MX150 ASSY RCP 2X4 GR D/7	334724814	D-GREEN	GCP	PLR		M	RR	-	-	-	4	NOT RECOMMENDED	SEE 334725026	N/A	N/A	N/A	N/A
MX150 ASSY RCP 2X4 CPA BK A/7	334724816	A-BLACK	GCP	PLR	CPA	M	RR	-	-	-	4	SALEABLE		N/A	N/A	N/A	N/A

ASSEMBLY DESCRIPTION	ASSEMBLY PART NUMBER	COMPONENT						BLOCKED TERMINALS				STATUS	COMMENT	OPTIONAL ATTACHMENTS SOLD SEPARATELY			
		THE PRESENCE OF AN ABBREVIATION INDICATES THE PRESENCE OF THAT COMPONENT						CAVITY WITH A NUMBER INDICATES BLOCKED TERMINAL POSITION CAVITY WITHOUT A NUMBER INDICATES OPEN TERMINAL POSITION						BACKSHELL WITH RIBS	BACKSHELL WITHOUT RIBS	90° ADAPTOR WITH RIBS	90° ADAPTOR WITHOUT RIBS
		HOUSING KEY/COLOR	GROMMET CAP	PLR	CPA	MAT SEAL	RING SEAL										
MX150 ASSY RCP 2X4 CPA LG B/7	334724817	B-LIGHT GRAY	GCP	PLR	CPA	M	RR	-	-	-	4	SALEABLE		N/A	N/A	N/A	N/A
MX150 ASSY RCP 2X4 CPA BR C/7	334724818	C-BROWN	GCP	PLR	CPA	M	RR	-	-	-	4	NOT RECOMMENDED	SEE 334725070	N/A	N/A	N/A	N/A
MX150 ASSY RCP 2X4 CPA GR D/7	334724819	D-GREEN	GCP	PLR	CPA	M	RR	-	-	-	4	NOT RECOMMENDED	SEE 334725009	N/A	N/A	N/A	N/A
MX150 ASSY RCP 2X4 BK A/6	334724821	A-BLACK	GCP	PLR		M	RR	-	-	-	4	SALEABLE		N/A	N/A	N/A	N/A
MX150 ASSY RCP 2X4 LG B/6	334724822	B-LIGHT GRAY	GCP	PLR		M	RR	-	-	-	4	SALEABLE		N/A	N/A	N/A	N/A
MX150 ASSY RCP 2X4 BR C/6	334724823	C-BROWN	GCP	PLR		M	RR	-	-	-	4	NOT RECOMMENDED		N/A	N/A	N/A	N/A
MX150 ASSY RCP 2X4 GR D/6	334724824	D-GREEN	GCP	PLR		M	RR	-	-	-	4	NOT RECOMMENDED		N/A	N/A	N/A	N/A
MX150 ASSY RCP 2X4 CPA BK A/6	334724826	A-BLACK	GCP	PLR	CPA	M	RR	-	-	-	4	SALEABLE		N/A	N/A	N/A	N/A
MX150 ASSY RCP 2X4 CPA LG B/6	334724827	B-LIGHT GRAY	GCP	PLR	CPA	M	RR	-	-	-	4	SALEABLE		N/A	N/A	N/A	N/A
MX150 ASSY RCP 2X4 CPA BR C/6	334724828	C-BROWN	GCP	PLR	CPA	M	RR	-	-	-	4	NOT RECOMMENDED		N/A	N/A	N/A	N/A
MX150 ASSY RCP 2X4 CPA GR D/6	334724829	D-GREEN	GCP	PLR	CPA	M	RR	-	-	-	4	NOT RECOMMENDED	SEE 334725010	N/A	N/A	N/A	N/A
MX150 ASSY RCP 2X4 BK A/5	334724831	A-BLACK	GCP	PLR		M	RR	1	-	-	4	SALEABLE		N/A	N/A	N/A	N/A
MX150 ASSY RCP 2X4 LG B/5	334724832	B-LIGHT GRAY	GCP	PLR		M	RR	1	-	-	4	SALEABLE		N/A	N/A	N/A	N/A
MX150 ASSY RCP 2X4 BR C/5	334724833	C-BROWN	GCP	PLR		M	RR	1	-	-	4	NOT RECOMMENDED		N/A	N/A	N/A	N/A
MX150 ASSY RCP 2X4 GR D/5	334724834	D-GREEN	GCP	PLR		M	RR	1	-	-	4	NOT RECOMMENDED		N/A	N/A	N/A	N/A
MX150 ASSY RCP 2X4 CPA BK A/5	334724836	A-BLACK	GCP	PLR	CPA	M	RR	1	-	-	4	SALEABLE		N/A	N/A	N/A	N/A
MX150 ASSY RCP 2X4 CPA LG B/5	334724837	B-LIGHT GRAY	GCP	PLR	CPA	M	RR	1	-	-	4	SALEABLE		N/A	N/A	N/A	N/A
MX150 ASSY RCP 2X4 CPA BR C/5	334724838	C-BROWN	GCP	PLR	CPA	M	RR	1	-	-	4	NOT RECOMMENDED		N/A	N/A	N/A	N/A
MX150 ASSY RCP 2X4 CPA GR D/5	334724839	D-GREEN	GCP	PLR	CPA	M	RR	1	-	-	4	NOT RECOMMENDED		N/A	N/A	N/A	N/A
MX150 ASSY RCP 2X4 BK A/4	334724841	A-BLACK	GCP	PLR		M	RR	1	-	-	4	SALEABLE		N/A	N/A	N/A	N/A
MX150 ASSY RCP 2X4 LG B/4	334724842	B-LIGHT GRAY	GCP	PLR		M	RR	1	-	-	4	SALEABLE		N/A	N/A	N/A	N/A
MX150 ASSY RCP 2X4 BR C/4	334724843	C-BROWN	GCP	PLR		M	RR	1	-	-	4	NOT RECOMMENDED		N/A	N/A	N/A	N/A
MX150 ASSY RCP 2X4 GR D/4	334724844	D-GREEN	GCP	PLR		M	RR	1	-	-	4	NOT RECOMMENDED		N/A	N/A	N/A	N/A
MX150 ASSY RCP 2X4 CPA BK A/4	334724846	A-BLACK	GCP	PLR	CPA	M	RR	1	-	-	4	SALEABLE		N/A	N/A	N/A	N/A
MX150 ASSY RCP 2X4 CPA LG B/4	334724847	B-LIGHT GRAY	GCP	PLR	CPA	M	RR	1	-	-	4	SALEABLE		N/A	N/A	N/A	N/A
MX150 ASSY RCP 2X4 CPA BR C/4	334724848	C-BROWN	GCP	PLR	CPA	M	RR	1	-	-	4	NOT RECOMMENDED		N/A	N/A	N/A	N/A
MX150 ASSY RCP 2X4 CPA GR D/4	334724849	D-GREEN	GCP	PLR	CPA	M	RR	1	-	-	4	NOT RECOMMENDED		N/A	N/A	N/A	N/A

ASSEMBLY DESCRIPTION	ASSEMBLY PART NUMBER	COMPONENT						BLOCKED TERMINALS				STATUS	COMMENT	OPTIONAL ATTACHMENTS SOLD SEPARATELY			
		THE PRESENCE OF AN ABBREVIATION INDICATES THE PRESENCE OF THAT COMPONENT						CAVITY WITH A NUMBER INDICATES BLOCKED TERMINAL POSITION CAVITY WITHOUT A NUMBER INDICATES OPEN TERMINAL POSITION						BACKSHELL WITH RIBS	BACKSHELL WITHOUT RIBS	90° ADAPTOR WITH RIBS	90° ADAPTOR WITHOUT RIBS
		HOUSING KEY/COLOR	GROMMET CAP	PLR	CPA	MAT SEAL	RING SEAL	1	2	3	4						
MX150 ASSY RCP 2X4 BK A/0	334724851	A-BLACK	GCP	PLR		M	RR	1	2	3	4	SALEABLE		N/A	N/A	N/A	N/A
								5	6	7	8						
MX150 ASSY RCP 2X4 LG B/0	334724852	B-LIGHT GRAY	GCP	PLR		M	RR	1	2	3	4	SALEABLE		N/A	N/A	N/A	N/A
								5	6	7	8						
MX150 ASSY RCP 2X4 BR C/0	334724853	C-BROWN	GCP	PLR		M	RR	1	2	3	4	NOT RECOMMENDED		N/A	N/A	N/A	N/A
								5	6	7	8						
MX150 ASSY RCP 2X4 GR D/0	334724854	D-GREEN	GCP	PLR		M	RR	1	2	3	4	NOT RECOMMENDED	SEE 334725057	N/A	N/A	N/A	N/A
								5	6	7	8						
MX150 ASSY RCP 2X4 BK D/0	334724855	D-BLACK	GCP	PLR		M	RR	1	2	3	4	SALEABLE		N/A	N/A	N/A	N/A
								5	6	7	8						
MX150 ASSY RCP 2X4 CPA BK A/5	334724856	A-BLACK	GCP	PLR	CPA	M	RR	-	2	-	-	SALEABLE		N/A	N/A	N/A	N/A
								-	6	7	-						
MX150 ASSY RCP 2X4 CPA BK A/3	334724857	A-BLACK	GCP	PLR	CPA	M	RR	1	2	-	-	SALEABLE		N/A	N/A	N/A	N/A
								5	6	7	-						
MX150 ASSY RCP 2X4 CPA BK A/2	334724858	A-BLACK	GCP	PLR	CPA	M	RR	1	2	3	-	SALEABLE		N/A	N/A	N/A	N/A
								5	6	7	-						
MX150 ASSY RCP 2X4 BK A/2	334724859	A-BLACK	GCP	PLR		M	RR	1	2	3	-	SALEABLE		N/A	N/A	N/A	N/A
								-	6	7	8						
MX150 ASSY RCP 2X4 BK D/7	334724860	D-BLACK	GCP	PLR		M	RR	-	-	-	4	SALEABLE		N/A	N/A	N/A	N/A
								-	-	-	-						
MX150 ASSY RCP 2X4 BK A/7	334724861	A-BLACK	GCP	PLR		M	RR	-	-	-	-	SALEABLE		N/A	N/A	N/A	N/A
								-	-	-	8						
MX150 ASSY RCP 2X4 BK A/7	334724862	A-BLACK	GCP	PLR		M	RR	1	-	-	-	SALEABLE		N/A	N/A	N/A	N/A
								-	-	-	-						
MX150 ASSY RCP 2X4 BK A/4	334724863	A-BLACK	GCP	PLR		M	RR	-	2	3	-	SALEABLE		N/A	N/A	N/A	N/A
								5	-	-	8						
MX150 ASSY RCP 2X4 BK A/5	334724864	A-BLACK	GCP	PLR		M	RR	1	-	3	-	SALEABLE		N/A	N/A	N/A	N/A
								5	-	-	-						
MX150 ASSY RCP 2X4 BK A/6	334724865	A-BLACK	GCP	PLR		M	RR	1	-	-	-	SALEABLE		N/A	N/A	N/A	N/A
								-	6	-	-						
MX150 ASSY RCP 2X4 BK A/3	334724866	A-BLACK	GCP	PLR		M	RR	-	2	3	-	SALEABLE		N/A	N/A	N/A	N/A
								5	6	-	8						
MX150 ASSY RCP 2X4 BK A/4	334724867	A-BLACK	GCP	PLR		M	RR	1	-	3	-	SALEABLE		N/A	N/A	N/A	N/A
								5	6	-	-						
MX150 ASSY RCP 2X4 BK A/5	334724868	A-BLACK	GCP	PLR		M	RR	-	-	-	-	SALEABLE		N/A	N/A	N/A	N/A
								5	6	-	8						
MX150 ASSY RCP 2X4 BK A/7	334724869	A-BLACK	GCP	PLR		M	RR	-	-	-	-	SALEABLE		N/A	N/A	N/A	N/A
								-	6	-	-						
MX150 ASSY RCP 2X4 BK A/2	334724870	A-BLACK	GCP	PLR		M	RR	1	-	3	-	SALEABLE		N/A	N/A	N/A	N/A
								5	6	7	8						
MX150 ASSY RCP 2X4 BK A/2	334724871	A-BLACK	GCP	PLR		M	RR	-	2	3	4	SALEABLE		N/A	N/A	N/A	N/A
								5	6	7	-						
MX150 ASSY RCP 2X4 BK A/6	334724872	A-BLACK	GCP	PLR		M	RR	-	-	-	-	SALEABLE		N/A	N/A	N/A	N/A
								-	-	7	8						
MX150 ASSY RCP 2X4 BK A/3	334724873	A-BLACK	GCP	PLR		M	RR	-	2	3	-	SALEABLE		N/A	N/A	N/A	N/A
								-	6	7	8						
MX150 ASSY RCP 2X4 BK A/6	334724874	A-BLACK	GCP	PLR		M	RR	-	2	3	-	SALEABLE		N/A	N/A	N/A	N/A
								-	-	-	-						
MX150 ASSY RCP 2X4 BK A/6	334724875	A-BLACK	GCP	PLR		M	RR	1	-	-	4	SALEABLE		N/A	N/A	N/A	N/A
								-	-	-	-						
MX150 ASSY RCP 2X4 BK A/2	334724876	A-BLACK	GCP	PLR		M	RR	-	2	3	-	SALEABLE		N/A	N/A	N/A	N/A
								5	6	7	8						
MX150 ASSY RCP 2X4 CPA BK A/7	334724877	A-BLACK	GCP	PLR	CPA	M	RR	-	-	-	-	SALEABLE		N/A	N/A	N/A	N/A
								-	-	-	8						

ASSEMBLY DESCRIPTION	ASSEMBLY PART NUMBER	COMPONENT						BLOCKED TERMINALS				STATUS	COMMENT	OPTIONAL ATTACHMENTS SOLD SEPARATELY			
		THE PRESENCE OF AN ABBREVIATION INDICATES THE PRESENCE OF THAT COMPONENT						CAVITY WITH A NUMBER INDICATES BLOCKED TERMINAL POSITION CAVITY WITHOUT A NUMBER INDICATES OPEN TERMINAL POSITION						BACKSHELL WITH RIBS	BACKSHELL WITHOUT RIBS	90° ADAPTOR WITH RIBS	90° ADAPTOR WITHOUT RIBS
		HOUSING KEY/COLOR	GROMMET CAP	PLR	CPA	MAT SEAL	RING SEAL										
MX150 ASSY RCP 2X4 BK A/5	334724878	A-BLACK	GCP	PLR		M	RR	-	-	3	-	SALEABLE		N/A	N/A	N/A	N/A
								5	6	-	-						
MX150 ASSY RCP 2X4 DG C/8	334724879	C-DARK GRAY	GCO	PLR		M	RR	-	-	-	-	SALEABLE		N/A	N/A	N/A	N/A
								-	-	-	-						
MX150 ASSY RCP 2X4 SG D/8	334724880	D-STONE GRAY	GCO	PLR		M	RR	-	-	-	-	SALEABLE		N/A	N/A	N/A	N/A
								-	-	-	-						
MX150 ASSY RCP 2X4 CPA DG C/8	334724881	C-DARK GRAY	GCO	PLR	CPA	M	RR	-	-	-	-	SALEABLE		N/A	N/A	N/A	N/A
								-	-	-	-						
MX150 ASSY RCP 2X4 CPA SG D/8	334724882	D-STONE GRAY	GCO	PLR	CPA	M	RR	-	-	-	-	SALEABLE		N/A	N/A	N/A	N/A
								-	-	-	-						
MX150 ASSY RCP 2X4 BK A/2	334724883	A-BLACK	GCP	PLR		M	RR	-	2	3	4	SALEABLE		N/A	N/A	N/A	N/A
								5	-	7	8						
MX150 ASSY RCP 2X4 BK A/5	334724884	A-BLACK	GCP	PLR		M	RR	-	-	3	-	SALEABLE		N/A	N/A	N/A	N/A
								-	6	7	-						
MX150 ASSY RCP 2X4 BK A/2	334724885	A-BLACK	GCP	PLR		M	RR	-	2	3	4	SALEABLE		N/A	N/A	N/A	N/A
								5	6	-	8						
MX150 ASSY RCP 2X4 BK A/5	334724886	A-BLACK	GCP	PLR		M	RR	-	-	3	-	SALEABLE		N/A	N/A	N/A	N/A
								-	6	-	8						
MX150 ASSY RCP 2X4 CPA LG B/7	334724887	B-LIGHT GRAY	GCP	PLR	CPA	M	RR	-	-	-	-	SALEABLE		N/A	N/A	N/A	N/A
								-	-	-	8						
MX150 ASSY RCP 2X4 LG B/6	334724888	B-LIGHT GRAY	GCP	PLR		M	RR	1	-	-	-	SALEABLE		N/A	N/A	N/A	N/A
								-	6	-	-						
MX150 ASSY RCP 2X4 BK A/6	334724889	A-BLACK	GCP	PLR		M	RR	1	-	-	-	SALEABLE		N/A	N/A	N/A	N/A
								5	-	-	-						
MX150 ASSY RCP 2X4 CPA YW A/6	334724890	A-YELLOW	GCP	PLR	CPA	M	RR	-	2	3	-	SALEABLE		N/A	N/A	N/A	N/A
								-	-	-	-						
MX150 ASSY RCP 2X4 CPA YW A/8	334724891	A-YELLOW	GCO	PLR	CPA	M	RR	-	-	-	-	SALEABLE		N/A	N/A	N/A	N/A
								-	-	-	-						
MX150 ASSY RCP 2X4 YW A/8	334724892	A-YELLOW	GCO	PLR		M	RR	-	-	-	-	SALEABLE		N/A	N/A	N/A	N/A
								-	-	-	-						
MX150 ASSY RCP 2X4 CPA BK A/7	334724893	A-BLACK	GCP	PLR	CPA	M	RR	-	-	-	-	SALEABLE		N/A	N/A	N/A	N/A
								-	6	-	-						
MX150 ASSY RCP 2X4 CPA BK A/2	334724894	A-BLACK	GCP	PLR	CPA	M	RR	1	2	3	-	SALEABLE		N/A	N/A	N/A	N/A
								-	6	7	8						
MX150 ASSY RCP 2X4 BK A/6	334724895	A-BLACK	GCP	PLR		M	RR	1	2	-	-	SALEABLE		N/A	N/A	N/A	N/A
								-	-	-	-						
MX150 ASSY RCP 2X4 CS BK A/8	334724901	A-BLACK-CLIP	GCO	PLR		M	RR	-	-	-	-	SALEABLE		34951-0811	34951-0821	34951-0831	34951-0841
								-	-	-	-						
MX150 ASSY RCP 2X4 CS LG B/8	334724902	B-LIGHT GRAY-CLIP	GCO	PLR		M	RR	-	-	-	-	SALEABLE		34951-0811	34951-0821	34951-0831	34951-0841
								-	-	-	-						
MX150 ASSY RCP 2X4 CS BR C/8	334724903	C-BROWN-CLIP	GCO	PLR		M	RR	-	-	-	-	NOT RECOMMENDED	SEE 334724922	34951-0811	34951-0821	34951-0831	34951-0841
								-	-	-	-						
MX150 ASSY RCP 2X4 CS GR D/8	334724904	D-GREEN-CLIP	GCO	PLR		M	RR	-	-	-	-	NOT RECOMMENDED	SEE 334724923	34951-0811	34951-0821	34951-0831	34951-0841
								-	-	-	-						
MX150 ASSY RCP 2X4 CS BK D/8	334724905	D-BLACK-CLIP	GCO	PLR		M	RR	-	-	-	-	SALEABLE		34951-0811	34951-0821	34951-0831	34951-0841
								-	-	-	-						
MX150 ASSY RCP 2X4 CS CPA BK A/8	334724906	A-BLACK-CLIP	GCO	PLR	CPA	M	RR	-	-	-	-	SALEABLE		34951-0811	34951-0821	34951-0831	34951-0841
								-	-	-	-						
MX150 ASSY RCP 2X4 CS CPA LG B/8	334724907	B-LIGHT GRAY-CLIP	GCO	PLR	CPA	M	RR	-	-	-	-	SALEABLE		34951-0811	34951-0821	34951-0831	34951-0841
								-	-	-	-						
MX150 ASSY RCP 2X4 CS CPA BR C/8	334724908	C-BROWN-CLIP	GCO	PLR	CPA	M	RR	-	-	-	-	NOT RECOMMENDED	SEE 334724924	34951-0811	34951-0821	34951-0831	34951-0841
								-	-	-	-						
MX150 ASSY RCP 2X4 CS CPA GR D/8	334724909	D-GREEN-CLIP	GCO	PLR	CPA	M	RR	-	-	-	-	NOT RECOMMENDED	SEE 334724925	34951-0811	34951-0821	34951-0831	34951-0841
								-	-	-	-						

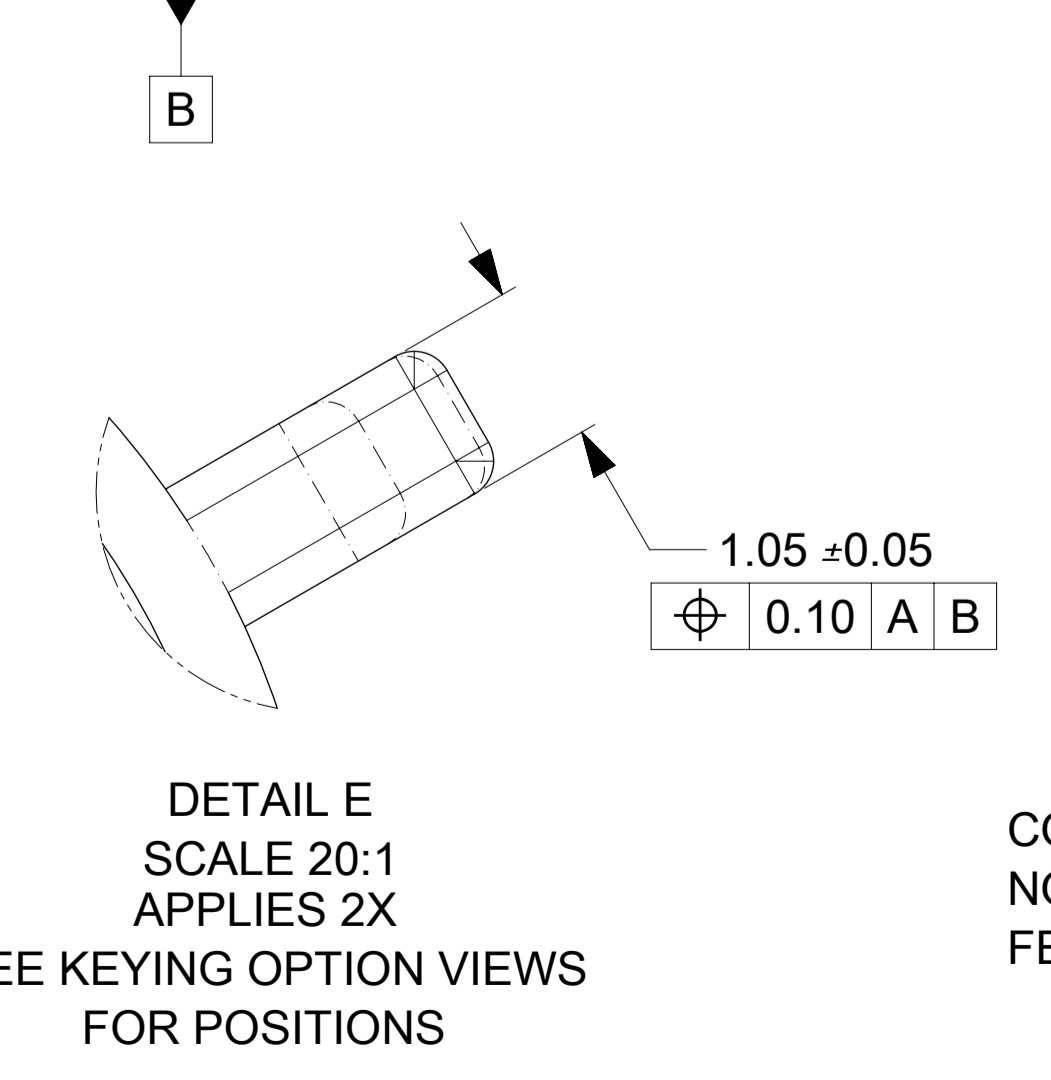
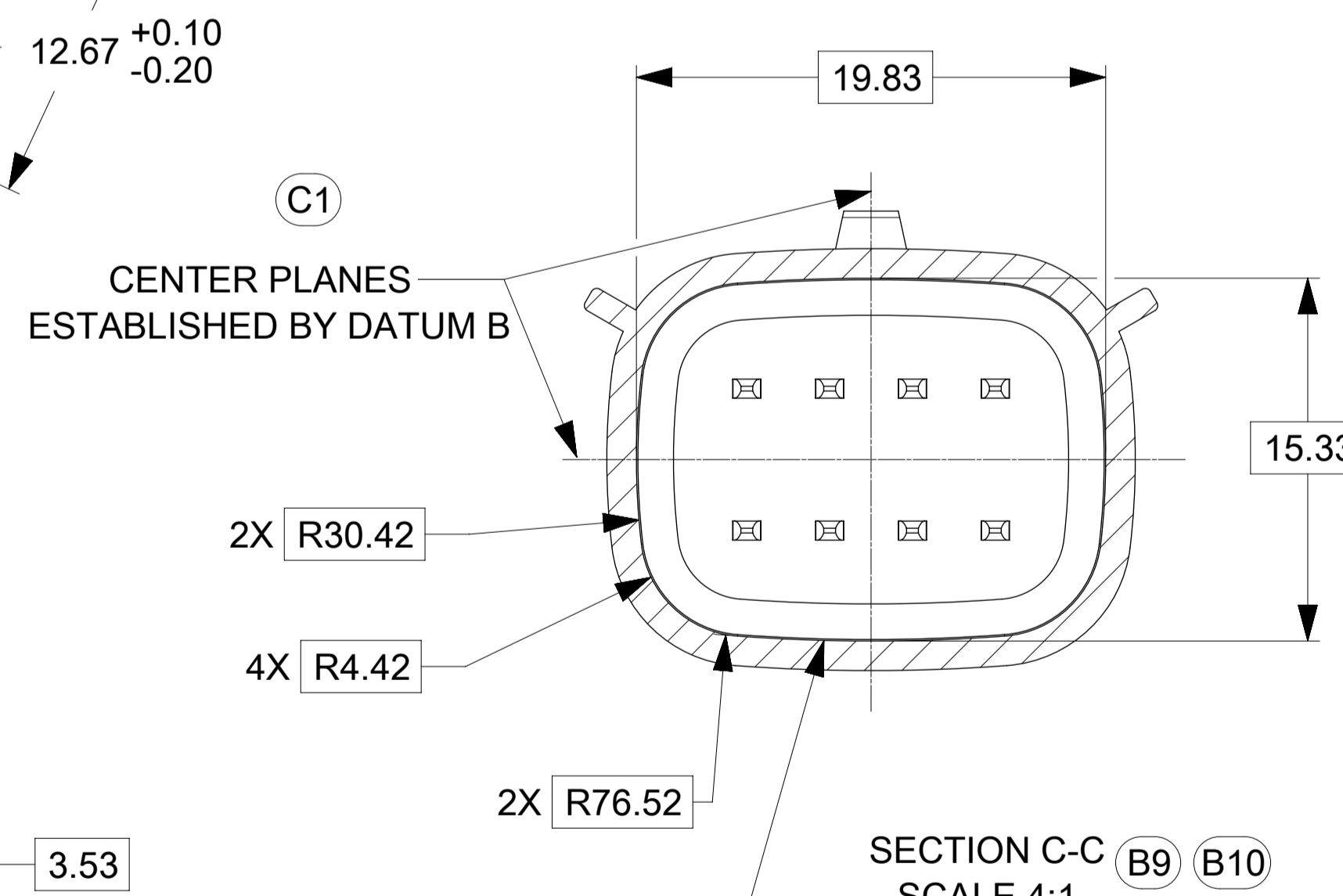
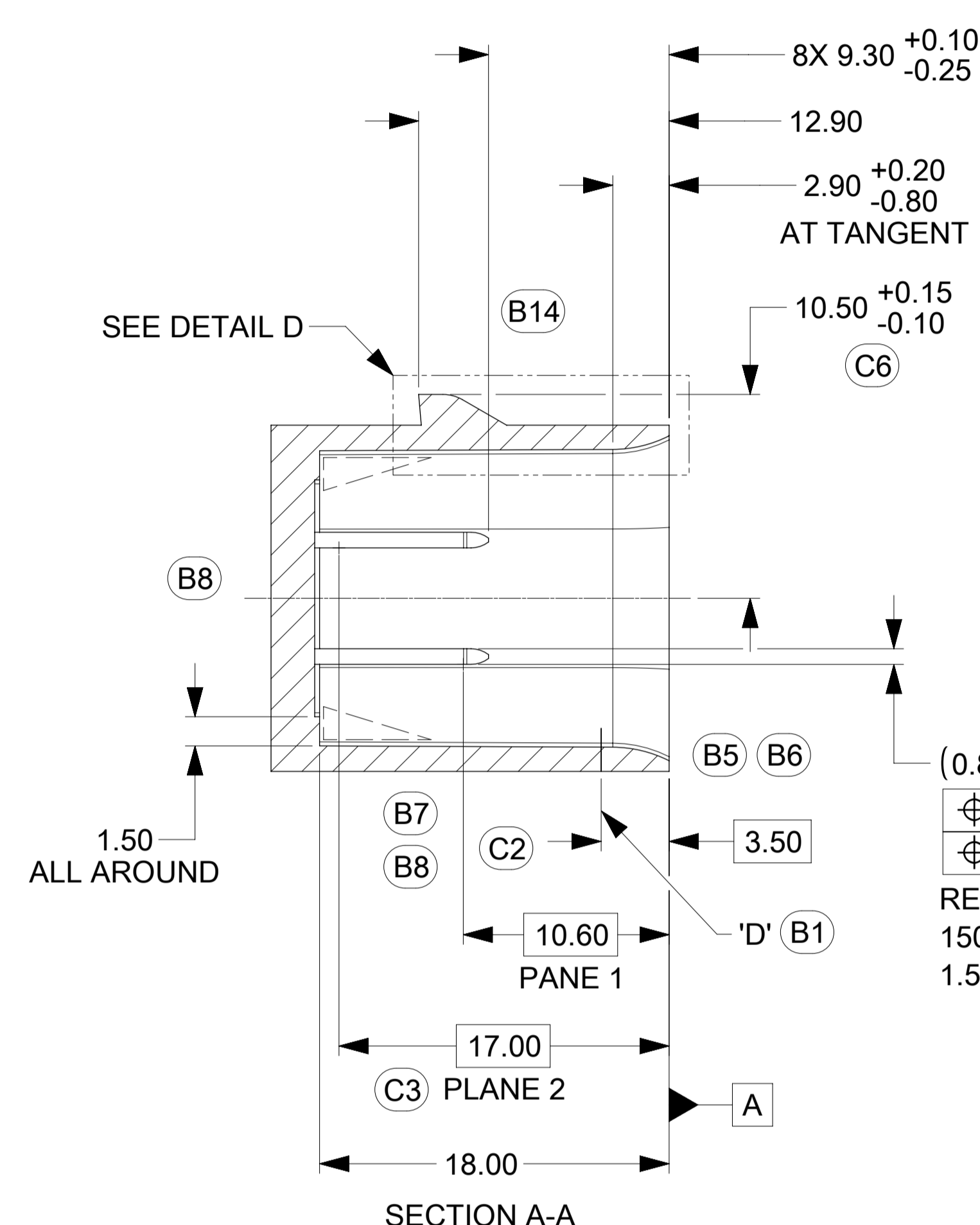
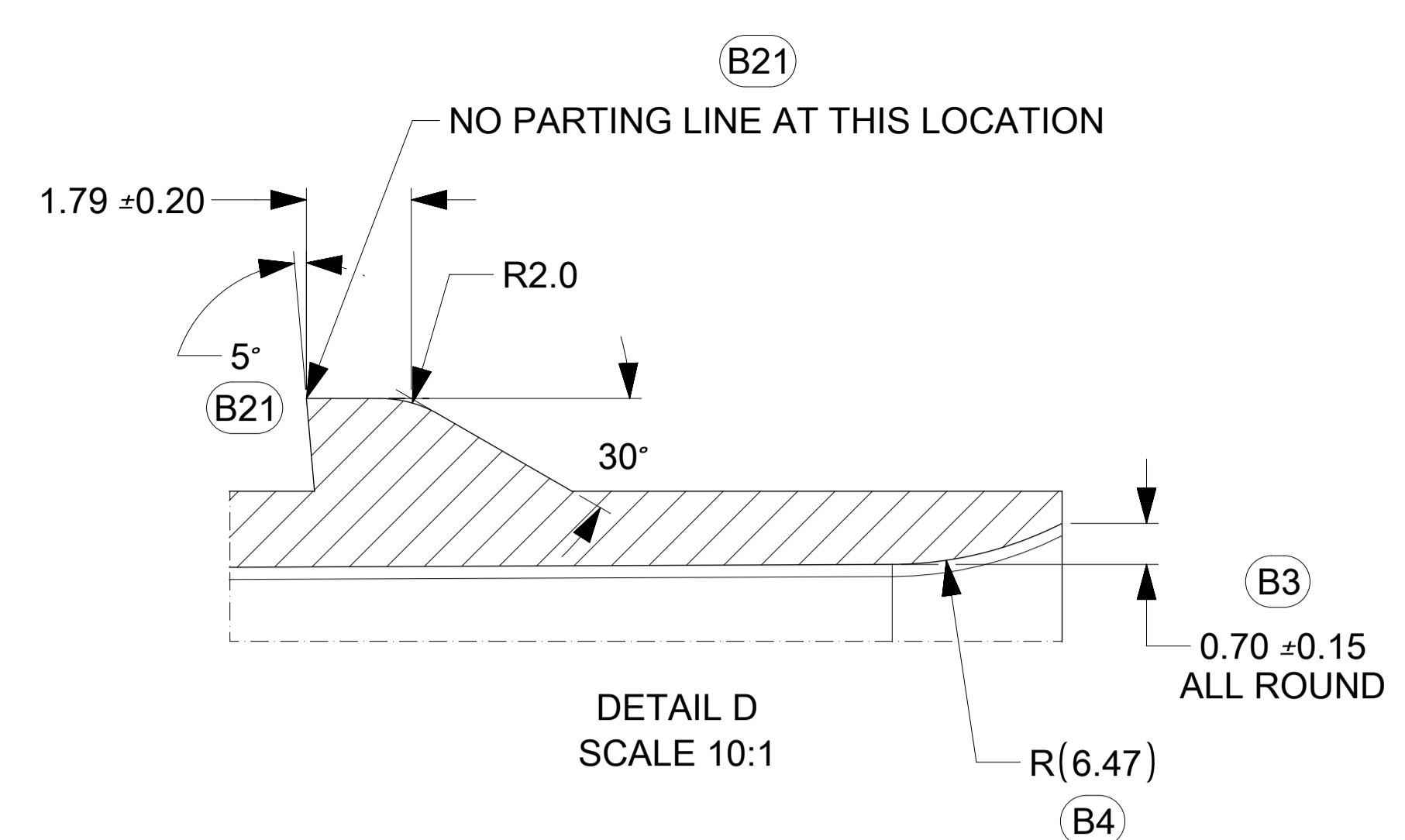
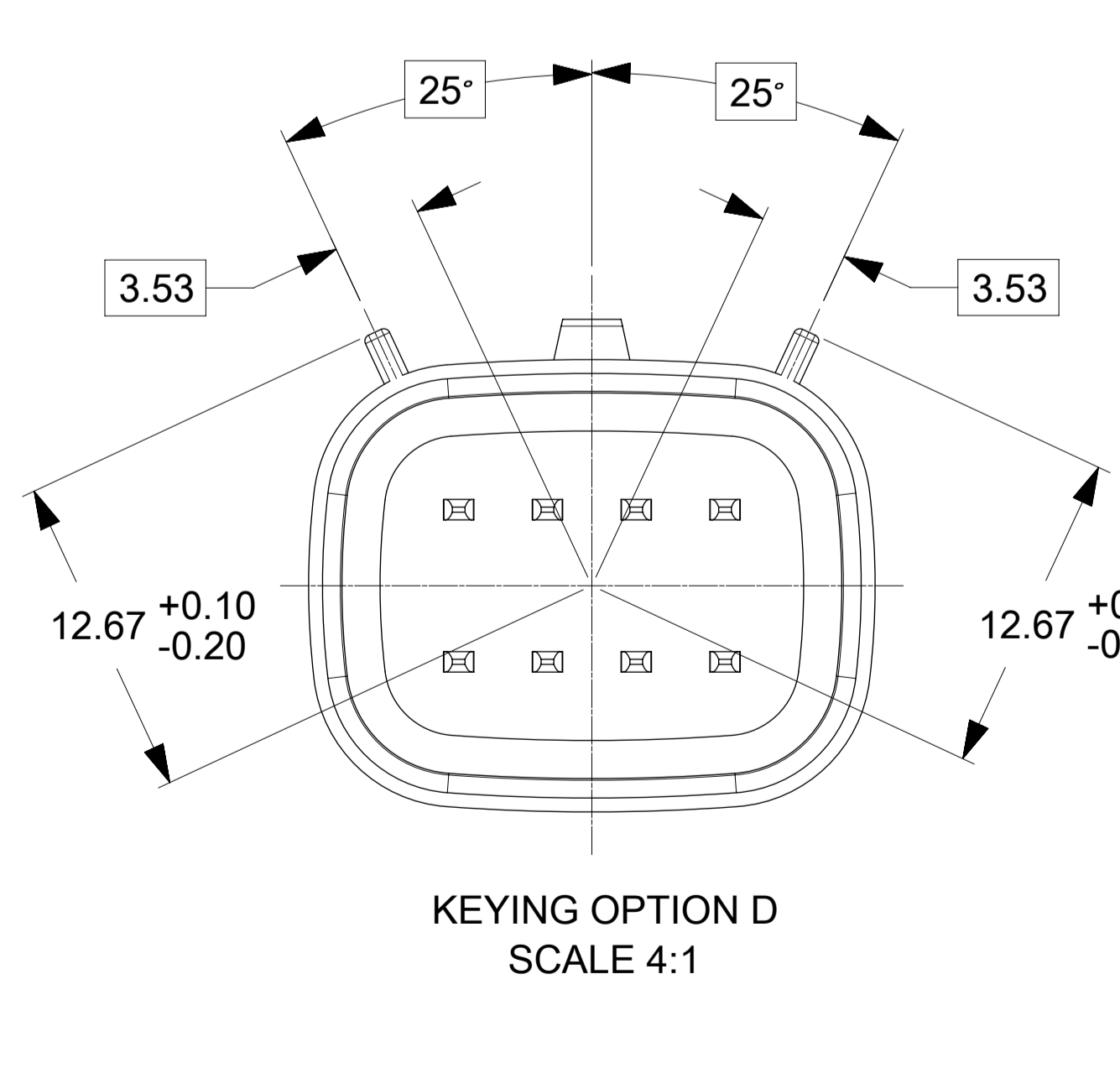
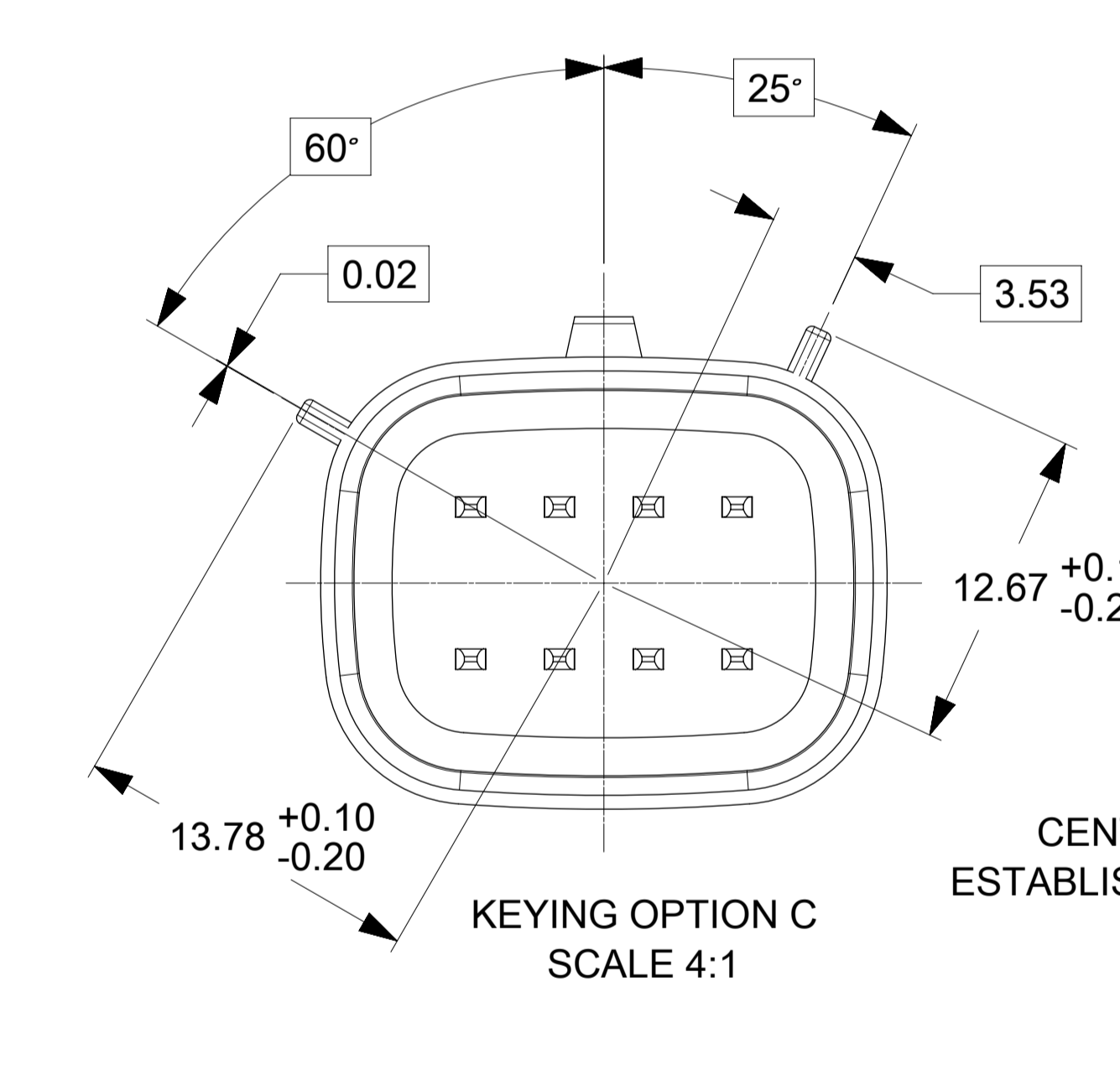
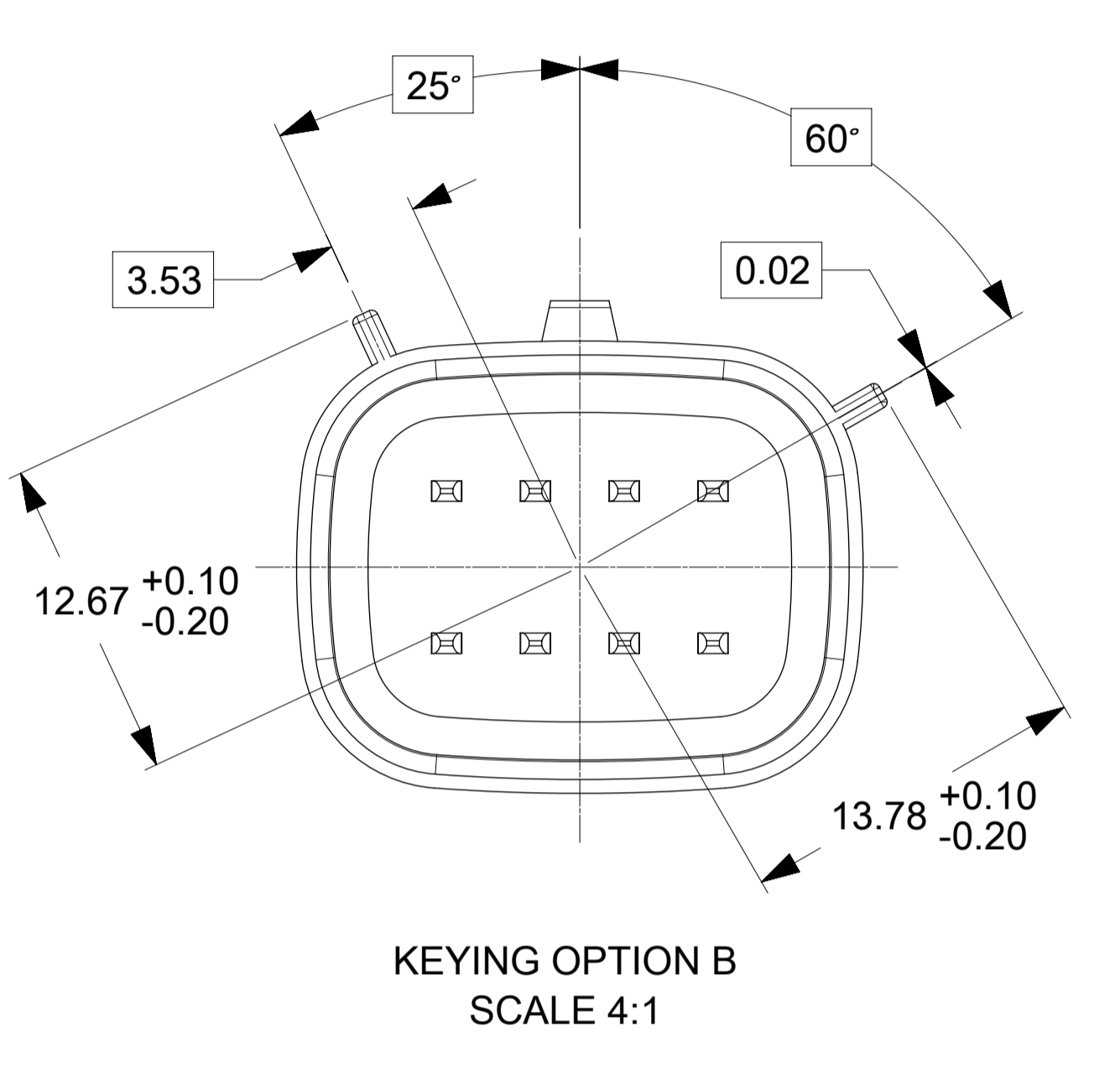
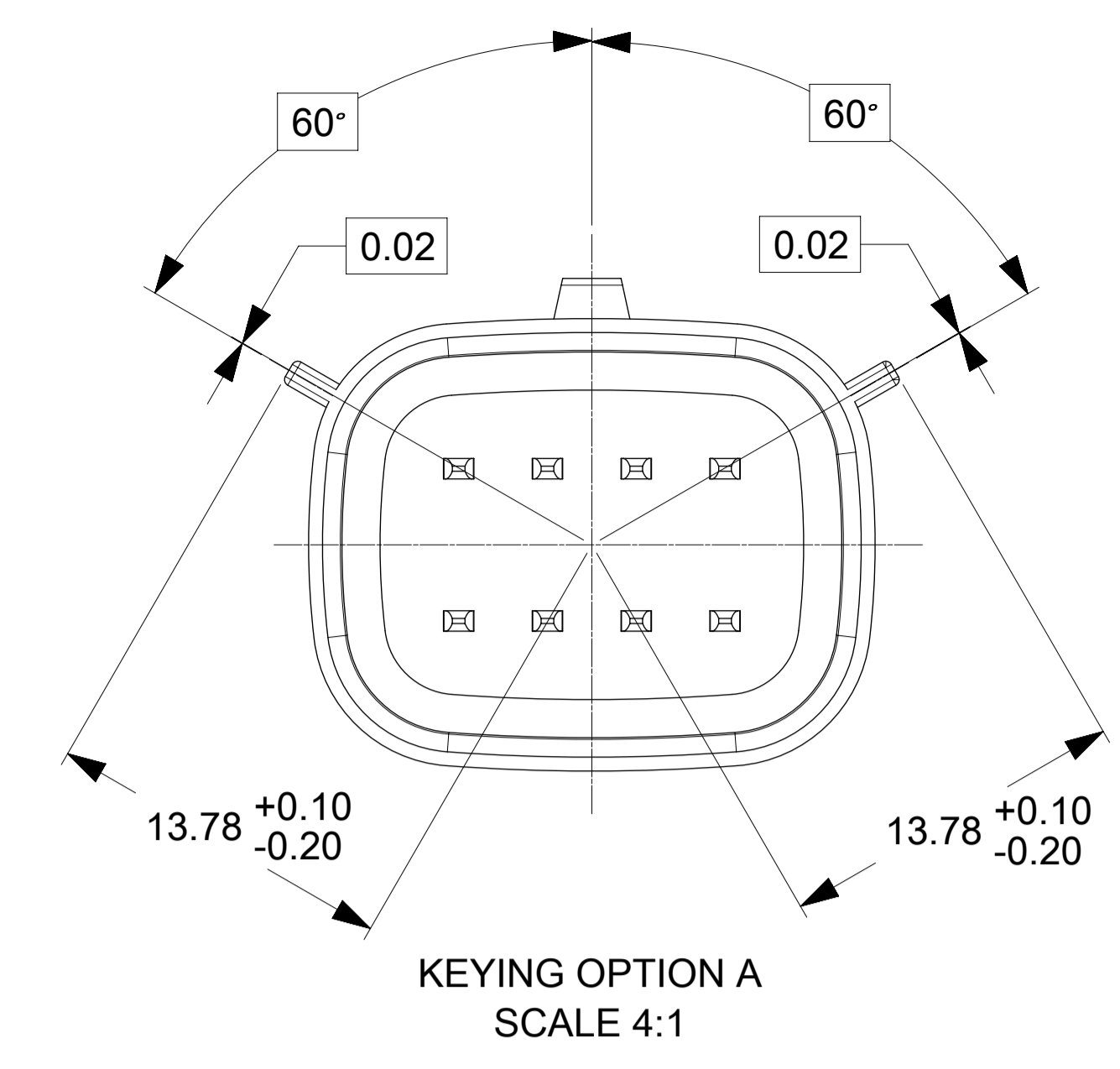
ASSEMBLY DESCRIPTION	ASSEMBLY PART NUMBER	COMPONENT						BLOCKED TERMINALS				STATUS	COMMENT	OPTIONAL ATTACHMENTS SOLD SEPARATELY			
		THE PRESENCE OF AN ABBREVIATION INDICATES THE PRESENCE OF THAT COMPONENT						CAVITY WITH A NUMBER INDICATES BLOCKED TERMINAL POSITION CAVITY WITHOUT A NUMBER INDICATES OPEN TERMINAL POSITION						BACKSHELL WITH RIBS	BACKSHELL WITHOUT RIBS	90° ADAPTOR WITH RIBS	90° ADAPTOR WITHOUT RIBS
		HOUSING KEY/COLOR	GROMMET CAP	PLR	CPA	MAT SEAL	RING SEAL										
MX150 ASSY RCP 2X4 CS BK A/7	334724910	A-BLACK-CLIP	GCP	PLR		M	RR	-	-	-	4	SALEABLE		34951-0811	34951-0821	34951-0831	34951-0841
MX150 ASSY RCP 2X4 CS BK A/6	334724920	A-BLACK-CLIP	GCP	PLR		M	RR	-	-	-	4	SALEABLE		34951-0811	34951-0821	34951-0831	34951-0841
MX150 ASSY RCP 2X4 CS BK A/7	334724921	A-BLACK-CLIP	GCP	PLR		M	RR	-	-	-	-	SALEABLE		34951-0811	34951-0821	34951-0831	34951-0841
MX150 ASSY RCP 2X4 CS DG C/8	334724922	C-DARK GRAY-CLIP	GCO	PLR		M	RR	-	-	-	-	SALEABLE		34951-0811	34951-0821	34951-0831	34951-0841
MX150 ASSY RCP 2X4 CS SG D/8	334724923	D-STONE GRAY-CLIP	GCO	PLR		M	RR	-	-	-	-	SALEABLE		34951-0811	34951-0821	34951-0831	34951-0841
MX150 ASSY RCP 2X4 CS CPA DG C/8	334724924	C-DARK GRAY-CLIP	GCO	PLR	CPA	M	RR	-	-	-	-	SALEABLE		34951-0811	34951-0821	34951-0831	34951-0841
MX150 ASSY RCP 2X4 CS CPA SG D/8	334724925	D-STONE GRAY-CLIP	GCO	PLR	CPA	M	RR	-	-	-	-	SALEABLE		34951-0811	34951-0821	34951-0831	34951-0841
MX150 ASSY RCP 2X4 CS LG B/6	334724926	B-LIGHT GRAY-CLIP	GCP	PLR		M	RR	-	-	-	4	SALEABLE		34951-0811	34951-0821	34951-0831	34951-0841
MX150 ASSY RCP 2X4 CS CPA BK A/6	334724927	A-BLACK-CLIP	GCP	PLR	CPA	M	RR	-	-	-	4	SALEABLE		34951-0811	34951-0821	34951-0831	34951-0841
MX150 ASSY RCP 2X4 CS CPA LG B/6	334724928	B-LIGHT GRAY-CLIP	GCP	PLR	CPA	M	RR	-	-	-	4	SALEABLE		34951-0811	34951-0821	34951-0831	34951-0841
MX150 ASSY RCP 2X4 CS BK A/4	334724929	A-BLACK-CLIP	GCP	PLR		M	RR	-	-	-	4	SALEABLE		34951-0811	34951-0821	34951-0831	34951-0841
MX150 ASSY RCP 2X4 CS BK A/2	334724930	A-BLACK-CLIP	GCP	PLR		M	RR	-	2	3	4	SALEABLE		34951-0811	34951-0821	34951-0831	34951-0841
MX150 ASSY RCP 2X4 CS BK A/4	334724931	A-BLACK-CLIP	GCP	PLR		M	RR	1	2	3	-	SALEABLE		34951-0811	34951-0821	34951-0831	34951-0841
MX150 ASSY RCP 2X4 CS BK A/6	334724932	A-BLACK-CLIP	GCP	PLR		M	RR	1	-	-	-	SALEABLE		34951-0811	34951-0821	34951-0831	34951-0841
MX150 ASSY RCP 2X4 CS CPA BK A/7	334724933	A-BLACK-CLIP	GCP	PLR	CPA	M	RR	-	-	-	-	SALEABLE		34951-0811	34951-0821	34951-0831	34951-0841
MX150 ASSY RCP 2X4 CS CPA LG B/7	334724934	B-LIGHT GRAY-CLIP	GCP	PLR	CPA	M	RR	-	-	-	-	SALEABLE		34951-0811	34951-0821	34951-0831	34951-0841
MX150 ASSY RCP 2X4 CS CPA BK A/2	334724935	A-BLACK-CLIP	GCP	PLR	CPA	M	RR	-	2	3	4	SALEABLE		34951-0811	34951-0821	34951-0831	34951-0841
MX150 ASSY RCP 2X4 CS BK A/5	334724936	A-BLACK-CLIP	GCP	PLR		M	RR	-	-	-	-	SALEABLE		34951-0811	34951-0821	34951-0831	34951-0841
MX150 ASSY RCP 2X4 CS BK A/6	334724937	A-BLACK-CLIP	GCP	PLR		M	RR	-	6	7	8	SALEABLE		34951-0811	34951-0821	34951-0831	34951-0841
MX150 ASSY RCP 2X4 CS BK A/7	334724938	A-BLACK-CLIP	GCP	PLR		M	RR	-	-	-	-	SALEABLE		34951-0811	34951-0821	34951-0831	34951-0841
MX150 ASSY RCP 2X4 CS BK A/3	334724939	A-BLACK-CLIP	GCP	PLR		M	RR	-	-	-	4	SALEABLE		34951-0811	34951-0821	34951-0831	34951-0841
MX150 ASSY RCP 2X4 CS BK A/4	334724940	A-BLACK-CLIP	GCP	PLR		M	RR	1	2	-	-	SALEABLE		34951-0811	34951-0821	34951-0831	34951-0841
MX150 ASSY RCP 2X4 CS BK A/2	334724941	A-BLACK-CLIP	GCP	PLR		M	RR	1	2	3	4	SALEABLE		34951-0811	34951-0821	34951-0831	34951-0841
MX150 ASSY RCP 2X4 CS BK A/5	334724942	A-BLACK-CLIP	GCP	PLR		M	RR	-	-	-	4	SALEABLE		34951-0811	34951-0821	34951-0831	34951-0841
MX150 ASSY RCP 2X4 CS BK A/4	334724943	A-BLACK-CLIP	GCP	PLR		M	RR	-	2	3	-	SALEABLE		34951-0811	34951-0821	34951-0831	34951-0841
MX150 ASSY RCP 2X4 CS BK A/5	334724944	A-BLACK-CLIP	GCP	PLR		M	RR	-	6	7	-	SALEABLE		34951-0811	34951-0821	34951-0831	34951-0841
MX150 ASSY RCP 2X4 CS BK A/7	334724945	A-BLACK-CLIP	GCP	PLR		M	RR	-	-	-	4	SALEABLE		34951-0811	34951-0821	34951-0831	34951-0841

ASSEMBLY DESCRIPTION	ASSEMBLY PART NUMBER	COMPONENT						BLOCKED TERMINALS				STATUS	COMMENT	OPTIONAL ATTACHMENTS SOLD SEPARATELY			
		THE PRESENCE OF AN ABBREVIATION INDICATES THE PRESENCE OF THAT COMPONENT						CAVITY WITH A NUMBER INDICATES BLOCKED TERMINAL POSITION CAVITY WITHOUT A NUMBER INDICATES OPEN TERMINAL POSITION						BACKSHELL WITH RIBS	BACKSHELL WITHOUT RIBS	90° ADAPTOR WITH RIBS	90° ADAPTOR WITHOUT RIBS
		HOUSING KEY/COLOR	GROMMET CAP	PLR	CPA	MAT SEAL	RING SEAL										
MX150 ASSY RCP 2X4 CS BK A/6	334724946	A-BLACK-CLIP	GCP	PLR		M	RR	-	-	3	-	SALEABLE		34951-0811	34951-0821	34951-0831	34951-0841
MX150 ASSY RCP 2X4 CS BK A/1	334724947	A-BLACK-CLIP	GCP	PLR		M	RR	1	-	3	4	SALEABLE		34951-0811	34951-0821	34951-0831	34951-0841
MX150 ASSY RCP 2X4 BK A/4	334725001	A-BLACK	GCP	PLR		M	RR	1	2	3	4	SALEABLE		N/A	N/A	N/A	N/A
MX150 ASSY RCP 2X4 LG B/7	334725002	B-LIGHT GRAY	GCP	PLR		M	RR	-	-	-	-	SALEABLE		N/A	N/A	N/A	N/A
MX150 ASSY RCP 2X4 BK A/6	334725003	A-BLACK	GCP	PLR		M	RR	1	-	-	4	SALEABLE		N/A	N/A	N/A	N/A
MX150 ASSY RCP 2X4 BK A/2	334725004	A-BLACK	GCP	PLR		M	RR	-	2	3	-	SALEABLE		N/A	N/A	N/A	N/A
MX150 ASSY RCP 2X4 CPA BK A/7	334725005	A-BLACK	GCP	PLR	CPA	M	RR	-	-	-	-	SALEABLE		N/A	N/A	N/A	N/A
MX150 ASSY RCP 2X4 BK A/2	334725006	A-BLACK	GCP	PLR		M	RR	1	2	3	4	SALEABLE		N/A	N/A	N/A	N/A
MX150 ASSY RCP 2X4 CPA BK A/6	334725007	A-BLACK	GCP	PLR	CPA	M	RR	-	-	-	-	SALEABLE		N/A	N/A	N/A	N/A
MX150 ASSY RCP 2X4 CPA BK A/7	334725008	A-BLACK	GCP	PLR	CPA	M	RR	-	-	-	-	SALEABLE		N/A	N/A	N/A	N/A
MX150 ASSY RCP 2X4 CPA SG D/7	334725009	D-STONE GRAY	GCP	PLR	CPA	M	RR	-	-	-	4	SALEABLE		N/A	N/A	N/A	N/A
MX150 ASSY RCP 2X4 CPA SG D/6	334725010	D-STONE GRAY	GCP	PLR	CPA	M	RR	-	-	-	4	SALEABLE		N/A	N/A	N/A	N/A
MX150 ASSY RCP 2X4 CPA SG D/5	334725011	D-STONE GRAY	GCP	PLR	CPA	M	RR	-	-	-	4	SALEABLE		N/A	N/A	N/A	N/A
MX150 ASSY RCP 2X4 BK A/5	334725012	A-BLACK	GCP	PLR		M	RR	-	-	-	4	SALEABLE		N/A	N/A	N/A	N/A
MX150 ASSY RCP 2X4 CPA BK A/2	334725013	A-BLACK	GCP	PLR	CPA	M	RR	-	-	3	4	SALEABLE		N/A	N/A	N/A	N/A
MX150 ASSY RCP 2X4 BK A/2	334725014	A-BLACK	GCP	PLR		M	RR	-	-	3	4	SALEABLE		N/A	N/A	N/A	N/A
MX150 ASSY RCP 2X4 CPA BK A/5	334725015	A-BLACK	GCP	PLR	CPA	M	RR	-	-	-	4	SALEABLE		N/A	N/A	N/A	N/A
MX150 ASSY RCP 2X4 BK A/5	334725016	A-BLACK	GCP	PLR		M	RR	-	-	-	-	SALEABLE		N/A	N/A	N/A	N/A
MX150 ASSY RCP 2X4 BK A/4	334725017	A-BLACK	GCP	PLR		M	RR	1	-	3	4	SALEABLE		N/A	N/A	N/A	N/A
MX150 ASSY RCP 2X4 CPA BK A/4	334725018	A-BLACK	GCP	PLR	CPA	M	RR	-	-	-	-	SALEABLE		N/A	N/A	N/A	N/A
MX150 ASSY RCP 2X4 CPA BK A/6	334725019	A-BLACK	GCP	PLR	CPA	M	RR	-	-	-	-	SALEABLE		N/A	N/A	N/A	N/A
MX150 ASSY RCP 2X4 CPA BK A/2	334725020	A-BLACK	GCP	PLR	CPA	M	RR	-	2	3	4	SALEABLE		N/A	N/A	N/A	N/A
MX150 ASSY RCP 2X4 CPA BK A/0	334725021	A-BLACK	GCP	PLR	CPA	M	RR	1	2	3	4	SALEABLE		N/A	N/A	N/A	N/A
MX150 ASSY RCP 2X4 CPA BK A/6	334725022	A-BLACK	GCP	PLR	CPA	M	RR	1	-	-	-	SALEABLE		N/A	N/A	N/A	N/A
MX150 ASSY RCP 2X4 BK A/4	334725023	A-BLACK	GCP	PLR		M	RR	-	-	-	-	SALEABLE		N/A	N/A	N/A	N/A
MX150 ASSY RCP 2X4 BK A/6	334725024	A-BLACK	GCP	PLR		M	RR	-	-	3	4	SALEABLE		N/A	N/A	N/A	N/A
MX150 ASSY RCP 2X4 SG D/5	334725025	D-STONE GRAY	GCP	PLR		M	RR	-	-	-	4	SALEABLE		N/A	N/A	N/A	N/A

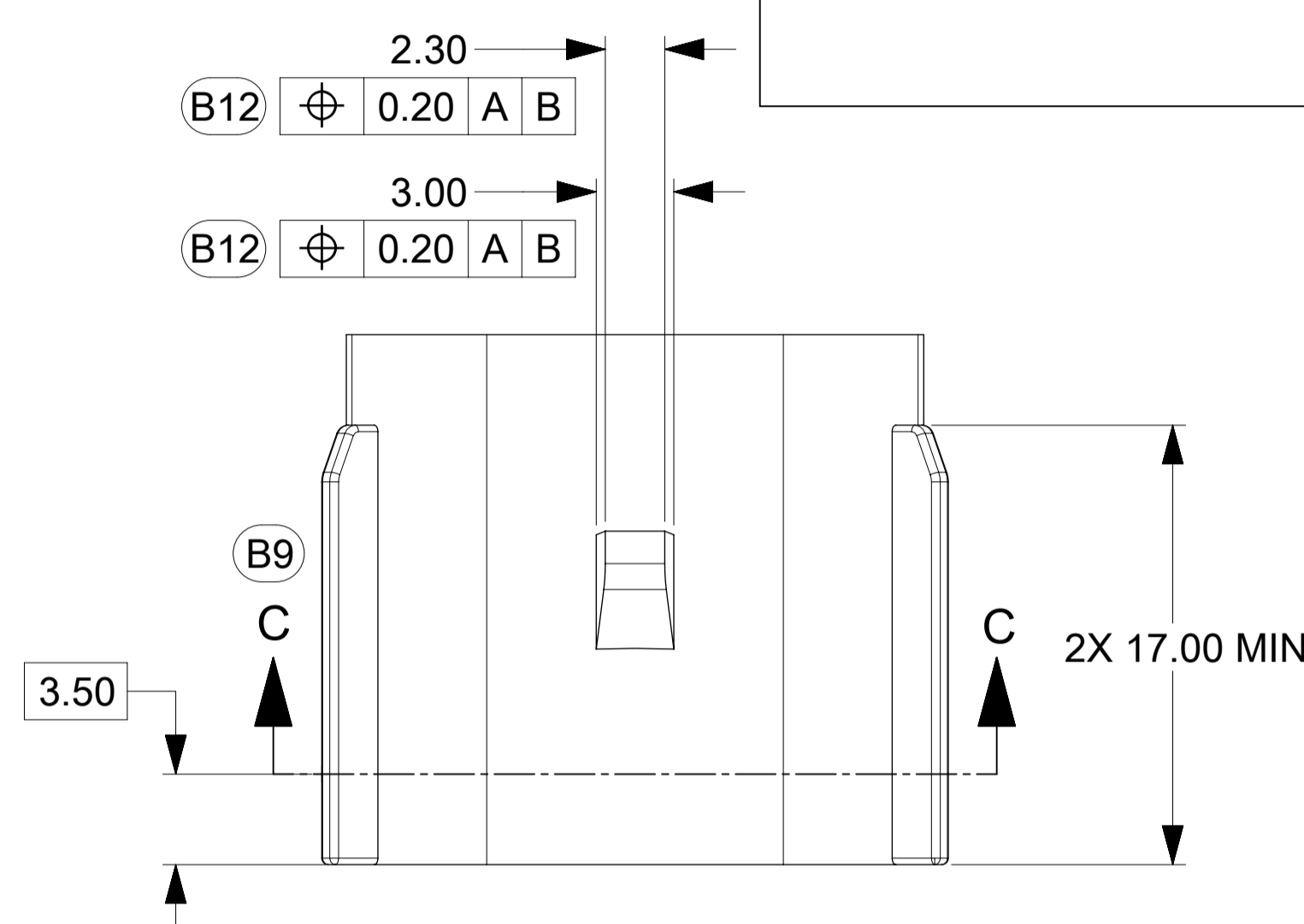
ASSEMBLY DESCRIPTION	ASSEMBLY PART NUMBER	COMPONENT						BLOCKED TERMINALS				STATUS	COMMENT	OPTIONAL ATTACHMENTS SOLD SEPARATELY			
		THE PRESENCE OF AN ABBREVIATION INDICATES THE PRESENCE OF THAT COMPONENT						CAVITY WITH A NUMBER INDICATES BLOCKED TERMINAL POSITION CAVITY WITHOUT A NUMBER INDICATES OPEN TERMINAL POSITION						BACKSHELL WITH RIBS	BACKSHELL WITHOUT RIBS	90° ADAPTOR WITH RIBS	90° ADAPTOR WITHOUT RIBS
		HOUSING KEY/COLOR	GROMMET CAP	PLR	CPA	MAT SEAL	RING SEAL										
MX150 ASSY RCP 2X4 SG D/7	334725026	D-STONE GRAY	GCP	PLR		M	RR	-	-	-	4	SALEABLE		N/A	N/A	N/A	N/A
MX150 ASSY RCP 2X4 LG B/6	334725027	B-LIGHT GRAY	GCP	PLR		M	RR	-	-	-	-	SALEABLE		N/A	N/A	N/A	N/A
MX150 ASSY RCP 2X4 BK A/2	334725028	A-BLACK	GCP	PLR		M	RR	1	2	3	4	SALEABLE		N/A	N/A	N/A	N/A
MX150 ASSY RCP 2X4 BK A/5	334725029	A-BLACK	GCP	PLR		M	RR	-	-	3	4	SALEABLE		N/A	N/A	N/A	N/A
MX150 ASSY RCP 2X4 BK A/2	334725030	A-BLACK	GCP	PLR		M	RR	1	2	3	4	SALEABLE		N/A	N/A	N/A	N/A
MX150 ASSY RCP 2X4 BK A/7	334725031	A-BLACK	GCP	PLR		M	RR	-	-	-	-	SALEABLE		N/A	N/A	N/A	N/A
MX150 ASSY RCP 2X4 BK A/6	334725032	A-BLACK	GCP	PLR		M	RR	-	2	-	-	SALEABLE		N/A	N/A	N/A	N/A
MX150 ASSY RCP 2X4 LG B/5	334725033	B-LIGHT GRAY	GCP	PLR		M	RR	1	-	3	-	SALEABLE		N/A	N/A	N/A	N/A
MX150 ASSY RCP 2X4 LG B/6	334725034	B-LIGHT GRAY	GCP	PLR		M	RR	-	-	3	-	SALEABLE		N/A	N/A	N/A	N/A
MX150 ASSY RCP 2X4 LG B/7	334725035	B-LIGHT GRAY	GCP	PLR		M	RR	1	-	-	-	SALEABLE		N/A	N/A	N/A	N/A
MX150 ASSY RCP 2X4 BK A/6	334725036	A-BLACK	GCP	PLR		M	RR	1	-	-	-	SALEABLE		N/A	N/A	N/A	N/A
MX150 ASSY RCP 2X4 BK A/6	334725037	A-BLACK	GCP	PLR		M	RR	-	-	-	-	SALEABLE		N/A	N/A	N/A	N/A
MX150 ASSY RCP 2X4 BK A/2	334725038	A-BLACK	GCP	PLR		M	RR	1	-	-	4	SALEABLE		N/A	N/A	N/A	N/A
MX150 ASSY RCP 2X4 BK A/6	334725039	A-BLACK	GCP	PLR		M	RR	-	2	-	-	SALEABLE		N/A	N/A	N/A	N/A
MX150 ASSY RCP 2X4 LG B/6	334725040	B-LIGHT GRAY	GCP	PLR		M	RR	-	-	-	-	SALEABLE		N/A	N/A	N/A	N/A
MX150 ASSY RCP 2X4 BK A/3	334725041	A-BLACK	GCP	PLR		M	RR	-	-	-	4	SALEABLE		N/A	N/A	N/A	N/A
MX150 ASSY RCP 2X4 BK A/6	334725042	A-BLACK	GCP	PLR		M	RR	-	-	-	-	SALEABLE		N/A	N/A	N/A	N/A
MX150 ASSY RCP 2X4 BK A/4	334725043	A-BLACK	GCP	PLR		M	RR	-	2	-	4	SALEABLE		N/A	N/A	N/A	N/A
MX150 ASSY RCP 2X4 BK A/2	334725044	A-BLACK	GCP	PLR		M	RR	1	2	3	4	SALEABLE		N/A	N/A	N/A	N/A
MX150 ASSY RCP 2X4 BK A/6	334725045	A-BLACK	GCP	PLR		M	RR	-	-	-	4	SALEABLE		N/A	N/A	N/A	N/A
MX150 ASSY RCP 2X4 CPA BK A/6	334725046	A-BLACK	GCP	PLR	CPA	M	RR	1	-	-	-	SALEABLE		N/A	N/A	N/A	N/A
MX150 ASSY RCP 2X4 LG B/7	334725047	B-LIGHT GRAY	GCP	PLR		M	RR	-	-	-	-	SALEABLE		N/A	N/A	N/A	N/A
MX150 ASSY RCP 2X4 BK A/3	334725048	A-BLACK	GCP	PLR		M	RR	1	2	-	-	SALEABLE		N/A	N/A	N/A	N/A
MX150 ASSY RCP 2X4 BK A/5	334725049	A-BLACK	GCP	PLR		M	RR	1	2	-	-	SALEABLE		N/A	N/A	N/A	N/A
MX150 ASSY RCP 2X4 BK A/5	334725050	A-BLACK	GCP	PLR		M	RR	-	-	-	4	SALEABLE		N/A	N/A	N/A	N/A
MX150 ASSY RCP 2X4 BK A/4	334725051	A-BLACK	GCP	PLR		M	RR	1	2	3	-	SALEABLE		N/A	N/A	N/A	N/A
MX150 ASSY RCP 2X4 BK A/4	334725052	A-BLACK	GCP	PLR		M	RR	-	-	-	4	SALEABLE		N/A	N/A	N/A	N/A

ASSEMBLY DESCRIPTION	ASSEMBLY PART NUMBER	COMPONENT						BLOCKED TERMINALS				STATUS	COMMENT	OPTIONAL ATTACHMENTS SOLD SEPARATELY			
		THE PRESENCE OF AN ABBREVIATION INDICATES THE PRESENCE OF THAT COMPONENT						CAVITY WITH A NUMBER INDICATES BLOCKED TERMINAL POSITION CAVITY WITHOUT A NUMBER INDICATES OPEN TERMINAL POSITION						BACKSHELL WITH RIBS	BACKSHELL WITHOUT RIBS	90° ADAPTOR WITH RIBS	90° ADAPTOR WITHOUT RIBS
		HOUSING KEY/COLOR	GROMMET CAP	PLR	CPA	MAT SEAL	RING SEAL										
MX150 ASSY RCP 2X4 BK A/4	334725053	A-BLACK	GCP	PLR		M	RR	-	-	3	4	SALEABLE		N/A	N/A	N/A	N/A
								-	-	7	8						
MX150 ASSY RCP 2X4 BK A/3	334725054	A-BLACK	GCP	PLR		M	RR	1	-	3	4	SALEABLE		N/A	N/A	N/A	N/A
								-	-	7	8						
MX150 ASSY RCP 2X4 BK A/6	334725055	A-BLACK	GCP	PLR		M	RR	-	-	-	4	SALEABLE		N/A	N/A	N/A	N/A
								-	-	-	8						
MX150 ASSY RCP 2X4 BK A/5	334725056	A-BLACK	GCP	PLR		M	RR	-	-	-	4	SALEABLE		N/A	N/A	N/A	N/A
								5	-	-	8						
MX150 ASSY RCP 2X4 SG D/0	334725057	D-STONE GRAY	GCP	PLR		M	RR	1	2	3	4	SALEABLE		N/A	N/A	N/A	N/A
								5	6	7	8						
MX150 ASSY RCP 2X4 CPA BK A/5	334725058	A-BLACK	GCP	PLR	CPA	M	RR	-	2	-	-	SALEABLE		N/A	N/A	N/A	N/A
								5	-	-	8						
MX150 ASSY RCP 2X4 LG B/6	334725059	B-LIGHT GRAY	GCP	PLR		M	RR	-	2	-	-	SALEABLE		N/A	N/A	N/A	N/A
								-	-	7	-						
MX150 ASSY RCP 2X4 LG B/7	334725060	B-LIGHT GRAY	GCP	PLR		M	RR	-	2	-	-	SALEABLE		N/A	N/A	N/A	N/A
								-	-	-	-						
MX150 ASSY RCP 2X4 BK A/2	334725061	A-BLACK	GCP	PLR		M	RR	-	2	3	4	SALEABLE		N/A	N/A	N/A	N/A
								-	6	7	8						
MX150 ASSY RCP 2X4 BK A/4	334725062	A-BLACK	GCP	PLR		M	RR	-	2	3	-	SALEABLE		N/A	N/A	N/A	N/A
								-	6	7	-						
MX150 ASSY RCP 2X4 CS CPA BK A/4	334725063	A-BLACK-CLIP	GCP	PLR	CPA	M	RR	-	-	-	-	SALEABLE		34951-0811	34951-0821	34951-0831	34951-0841
								5	6	7	8						
MX150 ASSY RCP 2X4 CS BK A/4	334725064	A-BLACK-CLIP	GCP	PLR		M	RR	-	-	-	-	SALEABLE		34951-0811	34951-0821	34951-0831	34951-0841
								5	6	7	8						
MX150 ASSY RCP 2X4 LG B/4	334725065	B-LIGHT GRAY	GCP	PLR		M	RR	1	-	-	4	SALEABLE		N/A	N/A	N/A	N/A
								-	-	7	8						
MX150 ASSY RCP 2X4 BK A/7	334725066	A-BLACK	GCP	PLR		M	RR	-	-	3	-	SALEABLE		N/A	N/A	N/A	N/A
								-	-	-	-						
MX150 ASSY RCP 2X4 CS BK A/5	334725067	A-BLACK-CLIP	GCP	PLR		M	RR	1	-	-	-	SALEABLE		34951-0811	34951-0821	34951-0831	34951-0841
								-	-	7	8						
MX150 ASSY RCP 2X4 LG B/6	334725068	B-LIGHT GRAY	GCP	PLR		M	RR	-	-	-	-	SALEABLE		N/A	N/A	N/A	N/A
								5	-	-	8						
MX150 ASSY RCP 2X4 LG B/7	334725069	B-LIGHT GRAY	GCP	PLR		M	RR	-	-	-	-	SALEABLE		N/A	N/A	N/A	N/A
								-	-	-	8						
MX150 ASSY RCP 2X4 CPA DG C/7	334725070	C-DARK GRAY	GCP	PLR	CPA	M	RR	-	-	-	4	SALEABLE		N/A	N/A	N/A	N/A
								-	-	-	-						
MX150 ASSY RCP 2X4 CS SG D/7	334725071	D-STONE GRAY-CLIP	GCP	PLR		M	RR	1	-	-	-	SALEABLE		34951-0811	34951-0821	34951-0831	34951-0841
								-	-	-	-						
MX150 ASSY RCP 2X4 CS CPA SG D/7	334725072	D-STONE GRAY-CLIP	GCP	PLR	CPA	M	RR	1	-	-	-	SALEABLE		34951-0811	34951-0821	34951-0831	34951-0841
								-	-	-	-						
MX150 ASSY RCP 2X4 CS CPA DG C/7	334725073	C-DARK GRAY-CLIP	GCP	PLR	CPA	M	RR	1	-	-	-	SALEABLE		34951-0811	34951-0821	34951-0831	34951-0841
								-	-	-	-						
MX150 ASSY RCP 2X4 CPA DG C/7	334725074	C-DARK GRAY	GCP	PLR	CPA	M	RR	1	-	-	-	SALEABLE		N/A	N/A	N/A	N/A
								-	-	-	-						
MX150 ASSY RCP 2X4 DG C/7	334725075	C-DARK GRAY	GCP	PLR		M	RR	1	-	-	-	SALEABLE		N/A	N/A	N/A	N/A
								-	-	-	-						
MX150 ASSY RCP 2X4 CS DG C/7	334725076	C-DARK GRAY-CLIP	GCP	PLR		M	RR	1	-	-	-	SALEABLE		34951-0811	34951-0821	34951-0831	34951-0841
								-	-	-	-						
MX150 ASSY RCP 2X4 BK A/2	334725077	A-BLACK	GCP	PLR		M	RR	-	2	-	4	SALEABLE		N/A	N/A	N/A	N/A
								5	6	7	8						
MX150 ASSY RCP 2X4 BK A/5	334725078	A-BLACK	GCP	PLR		M	RR	-	-	-	4	SALEABLE		N/A	N/A	N/A	N/A
								-	6	-	8						
MX150 ASSY RCP 2X4 LG B/4	334725079	B-LIGHT GRAY	GCP	PLR		M	RR	1	2	3	-	SALEABLE		N/A	N/A	N/A	N/A
								-	6	-	-						

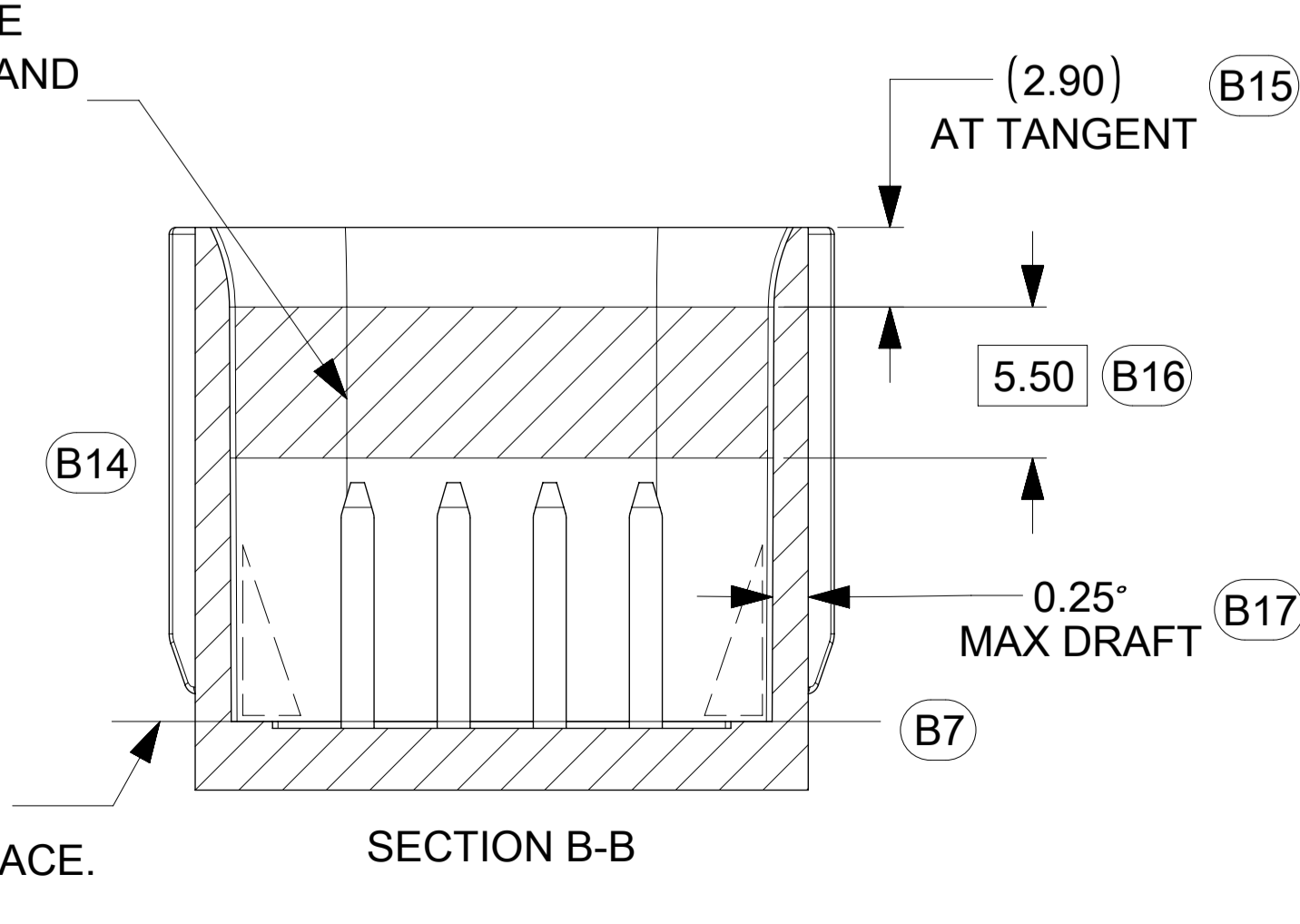
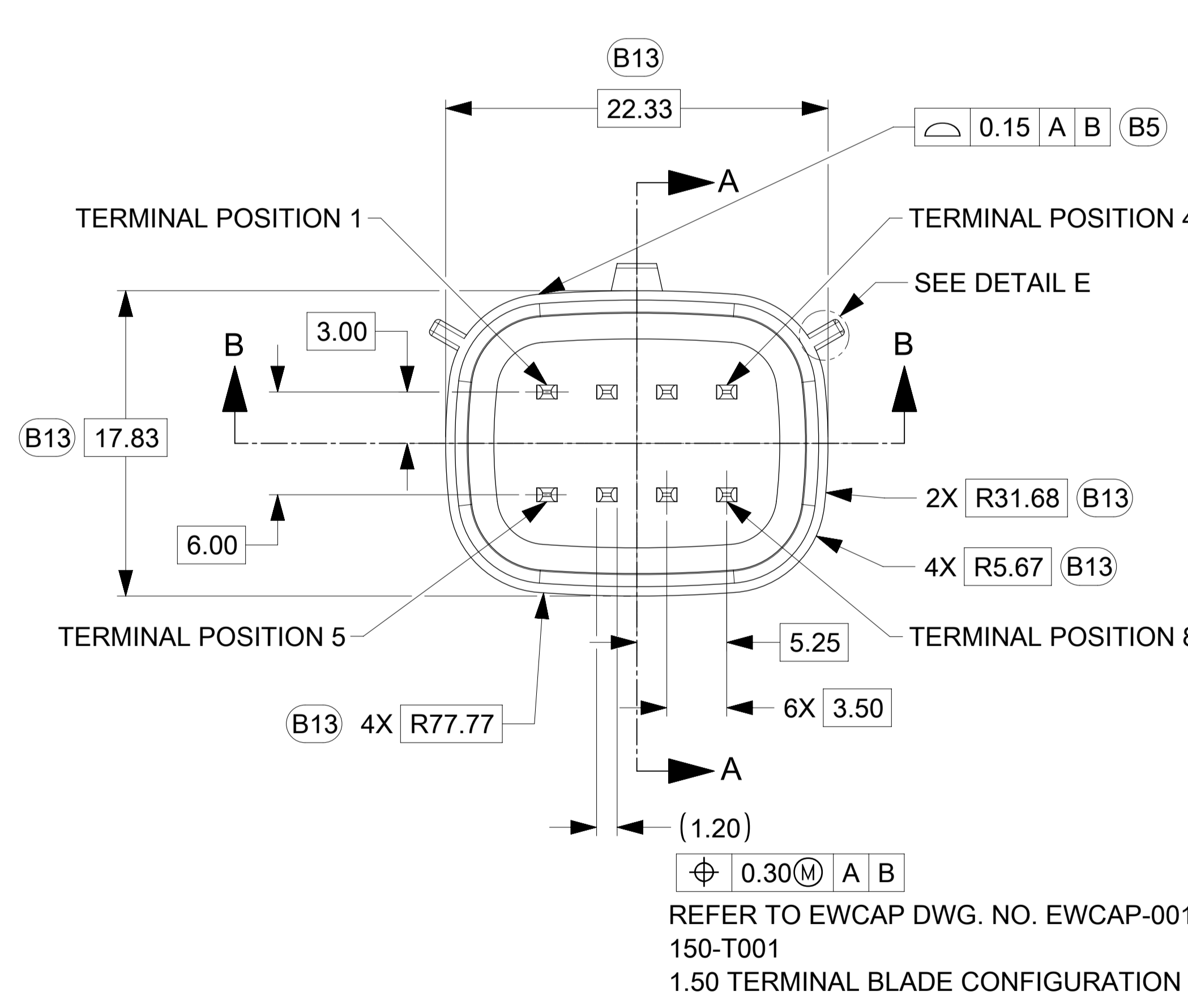
ASSEMBLY DESCRIPTION	ASSEMBLY PART NUMBER	COMPONENT						BLOCKED TERMINALS				STATUS	COMMENT	OPTIONAL ATTACHMENTS SOLD SEPARATELY			
		THE PRESENCE OF AN ABBREVIATION INDICATES THE PRESENCE OF THAT COMPONENT						CAVITY WITH A NUMBER INDICATES BLOCKED TERMINAL POSITION CAVITY WITHOUT A NUMBER INDICATES OPEN TERMINAL POSITION						BACKSHELL WITH RIBS	BACKSHELL WITHOUT RIBS	90° ADAPTOR WITH RIBS	90° ADAPTOR WITHOUT RIBS
		HOUSING KEY/COLOR	GROMMET CAP	PLR	CPA	MAT SEAL	RING SEAL										
MX150 ASSY RCP 2X4 LG B/4	334725080	B-LIGHT GRAY	GCP	PLR		M	RR	-	2	3	4	SALEABLE		N/A	N/A	N/A	N/A
								-	-	7	-						
MX150 ASSY RCP 2X4 BK A/6	334725081	A-BLACK	GCP	PLR		M	RR	-	-	-	4	SALEABLE		N/A	N/A	N/A	N/A
								-	-	7	-						
MX150 ASSY RCP 2X4 BK A/5	334725082	A-BLACK	GCP	PLR		M	RR	-	-	-	4	SALEABLE		N/A	N/A	N/A	N/A
								-	6	7	-						
MX150 ASSY RCP 2X4 BK A/2	334725083	A-BLACK	GCP	PLR		M	RG	-	2	-	4	OBSOLETE	SEE 334725077	N/A	N/A	N/A	N/A
								5	6	7	8						
MX150 ASSY RCP 2X4 BK A/5	334725084	A-BLACK	GCP	PLR		M	RG	-	-	-	4	OBSOLETE	SEE 334725078	N/A	N/A	N/A	N/A
								-	6	-	8						
MX150 ASSY RCP 2X4 CPA BK D/8	334725085	D-BLACK	GCO	PLR	CPA	M	RR	-	-	-	-	SALEABLE		N/A	N/A	N/A	N/A
								-	-	-	-						
MX150 ASSY RCP 2X4 CS CPA BK A/5	334725086	A-BLACK-CLIP	GCP	PLR	CPA	M	RR	-	-	-	-	SALEABLE		34951-0811	34951-0821	34951-0831	34951-0841
								-	6	7	8						
MX150 ASSY RCP 2X4 CPA SG D/4	334725087	D-STONE GRAY	GCP	PLR	CPA	M	RR	-	-	3	4	SALEABLE		N/A	N/A	N/A	N/A
								-	-	7	8						
MX150 ASSY RCP 2X4 BK A/3	334725088	A-BLACK	GCP	PLR		M	RR	1	2	-	4	SALEABLE		N/A	N/A	N/A	N/A
								5	6	-	-						
MX150 ASSY RCP 2X4 BK A/5	334725089	A-BLACK	GCP	PLR		M	RR	1	-	-	-	SALEABLE		N/A	N/A	N/A	N/A
								-	6	7	-						
MX150 ASSY RCP 2X4 BK A/6	334725090	A-BLACK	GCP	PLR		M	RR	-	-	3	-	SALEABLE		N/A	N/A	N/A	N/A
								-	6	-	-						
MX150 ASSY RCP 2X4 CPA SG D/4	334725091	D-STONE GRAY	GCP	PLR	CPA	M	RR	-	2	3	-	SALEABLE		N/A	N/A	N/A	N/A
								-	-	7	8						
MX150 ASSY RCP 2X4 CPA LG B/4	334725092	B-LIGHT GRAY	GCP	PLR	CPA	M	RR	-	-	-	-	SALEABLE		N/A	N/A	N/A	N/A
								5	6	7	8						
MX150 ASSY RCP 2X4 CPA BK A/6	334725093	A-BLACK	GCP	PLR	CPA	M	RR	1	-	-	-	SALEABLE		N/A	N/A	N/A	N/A
								-	6	-	-						
MX150 ASSY RCP 2X4 CS BK A/4	334725094	A-BLACK-CLIP	GCP	PLR		M	RR	-	2	3	4	SALEABLE		34951-0811	34951-0821	34951-0831	34951-0841
								-	-	7	-						
MX150 ASSY RCP 2X4 BK A/4	334725095	A-BLACK	GCP	PLR		M	RR	-	-	3	-	SALEABLE		N/A	N/A	N/A	N/A
								5	6	7	-						
MX150 ASSY RCP 2X4 CPA BK A/4	334725096	A-BLACK	GCP	PLR	CPA	M	RR	1	2	3	-	SALEABLE		N/A	N/A	N/A	N/A
								5	-	-	-						
MX150 ASSY RCP 2X4 CS SG D/4	334725097	D-STONE GRAY-CLIP	GCP	PLR		M	RR	1	2	-	-	SALEABLE		34951-0811	34951-0821	34951-0831	34951-0841
								5	6	-	-						
MX150 ASSY RCP 2X4 CS SG D/4	334725098	D-STONE GRAY-CLIP	GCP	PLR		M	RR	-	-	3	4	SALEABLE		34951-0811	34951-0821	34951-0831	34951-0841
								-	-	7	8						
MX150 ASSY RCP 2X4 CS BK A/5	334725099	A-BLACK-CLIP	GCP	PLR		M	RR	-	-	-	-	SALEABLE		34951-0811	34951-0821	34951-0831	34951-0841
								5	6	7	-						



CONSTRUCTION BELOW THIS SURFACE IS NOT CONTROLLED BY EWCAP. NO PLASTIC FEATURES MAY EXTEND ABOVE THIS SURFACE.



Connector Description	DIMENSION A
CONNECTOR WITHOUT CLIP-SLOT	11.0
CONNECTOR WITH CLIP-SLOT	15.0



STANDARD NOTICE

This drawing, or portions of it are controlled by the Electrical Wiring Components Application Partnership (EWCAP) a subgroup of the United States Council for Automotive Research LLC (USCAR LLC). USCAR is an LLC consisting of members from FCA US LLC, Ford Motor Company and GM Corporation. Any change to a EWCAP controlled portion of this drawing, including a revision record change must be approved, in writing, by the responsible EWCAP representative from each USCAR member company. Each EWCAP representative authorized to sign for his or her member company is responsible for obtaining all necessary approvals within that company prior to signing for the approval of the change. EWCAP expressly prohibits any party from changing either any EWCAP controlled portion of this drawing or any associated tooling before receiving approval, signed by the authorized representatives, of the USCAR member companies. Reference to the signed change notice must be entered in the drawing control column.

NOTES: UNLESS OTHERWISE SPECIFIED

- ALL DIMENSIONS SHOWN IN MILLIMETERS.
- DIMENSIONING AND TOLERANCING PER ASME Y14.5M-2009
- 0.25 RADII ON ALL CORNERS SHOWN SHARP.
- UNSPECIFIED RADII: 0.25 EXCEPT AS NOTED.
- STANDARD COLORS FOR POLARIZATION (SEE CHART). DEVIATION REQUIRES APPROVAL OF AUTHORIZED PERSON.
- REFER TO "SAE/USCAR 12 CONNECTOR GUIDELINES" FOR ADDITIONAL REQUIREMENTS.
- EXCEPT WHERE NOTED, DRAFT ON OUTSIDE SURFACES IS PERMISSIBLE WITHIN TOLERANCE.
- SYMBOL INDICATES DRAFT DIRECTION.
- FOR TERMINAL MATERIAL, DIMENSIONAL, AND COATING REQUIREMENTS AND ANY BLADE TERMINAL DESIGN INFORMATION NOT SHOWN ON THIS DRAWING SEE EWCAP DRW. NO. EWCAP-001
- REFER TO USCAR/EWCAP PART LIST AS FOUND ON WEBSITE <http://www.uscarteams.org>
- THIS IS A 100% CAD GENERATED PART. THE CAD MATHEMATICAL DATA IS THE MASTER FOR THIS PART. FOR DIMENSIONAL OR ANY INFORMATION NOT SHOWN ON THIS DRAWING, ANALYZE THE CAD MODEL.

REV	DATE	BY	CHK	DESCRIPTION
162	08-03-20	GE	MV	CHARTED DIMENSION ADDED FOR WITH AND WITHOUT CLIPSLOT
132				CORRECTED TOLERANCE CALL OUT FOR LATCH LOCK HEIGHT
132				UPDATED CALL OUT FOR THE REVISION OF GD&T FROM ASME Y14.5-1994 TO Y14.5-2009
132				UPDATED THE STANDARD NOTICE TO THE LATEST TEMPLATE
132				ADDED PLANE 2
132				ADDED PLANE 1
132	02-10-17	MV	KB	ADDED CALL OUT "CENTER PLANES ESTABLISHED BY DATUM B"
095				CHANGED ISO VIEW SCALE TO 4:1, WAS 1:1
095				ADDED PARTING LINE NOTE TO DETAIL A, REMOVED NOTE BACK ANGLE OPTIONAL FROM 5°
095				CORRECTED CHRYSLER GROUP LLC NOMENCLATURE ADDED LEGAL NOTE AND EWCAP TO TITLE BLOCK
095				MOVED NOTE TO SECTION B-B
095				UPDATED NOTES
095				ADDED 0.25° MAX DRAFT ANGLE ALL AROUND
095				ADDED 5.50
095				ADDED AT TANGENT NOTE
095				REMOVED DATUM D
095				ADDED BASIC DIMENSIONS FOR PROFILE CONTROL
095				ADDED 0.20 ±0.20
095				DIMENSIONED TO DATUM A
095				SEALING SURFACE DIMENSIONS MOVED TO SECTION C-C
095				ADDED SECTION C-C
095				REMOVED 15.20 AND 2.50 FROM SECTION A-A
095				ADDED DRAFT ANGLE DIRECTION
095				REMOVED 0.80 ±0.10/-0.20 ALL AROUND
095				REPLACED WALL THICKNESS CONTROL WITH PROFILE OF A SURFACE
095				ADDED R(6.47)
095				ADDED 0.70±0.15 ALL AROUND
095				UPDATED CONNECTOR COLORS
095	03-21-12	KC	MV	SURFACE 'D' RELOCATED TO 3.50 WAS AT 8.20
095	10-17-07	MV	DG	RELEASED
CHANGE SERIAL NUMBER	LE T			REVISION RECORD
		DATE	DWN	CHK

EWCAP P/N	OPTION	MATING CONNECTOR COLOR
150-S-008-2-D02	D	BLACK
150-S-008-2-C02	C	DK GRAY
150-S-008-2-B02	B	LT GRAY
150-S-008-2-A02	A	BLACK

TOLERANCES (UNLESS OTHERWISE SPECIFIED)

DIMENSIONS ARE IN	MILLIMETERS
ANGLES	±3°
X	±0.2
XX	±0.10

THIRD ANGLE PROJECTION

EWCAP

SCALE: 4-1 DRAWN BY: G.ELLIOTT CHECKED BY: M.VANSLAMBROUCK DATE: 08-03-20

TITLE: DIRECT CONNECT INTERFACE 8 WAY (2 X 4) 1.5MM SEALED MALE

SHEET: DRAWING NUMBER: 150-S-008-2-Z02 SIZE: E DO NOT SCALE DRAWING COMPUTER AIDED DRAWING REVISION LEVEL: D

