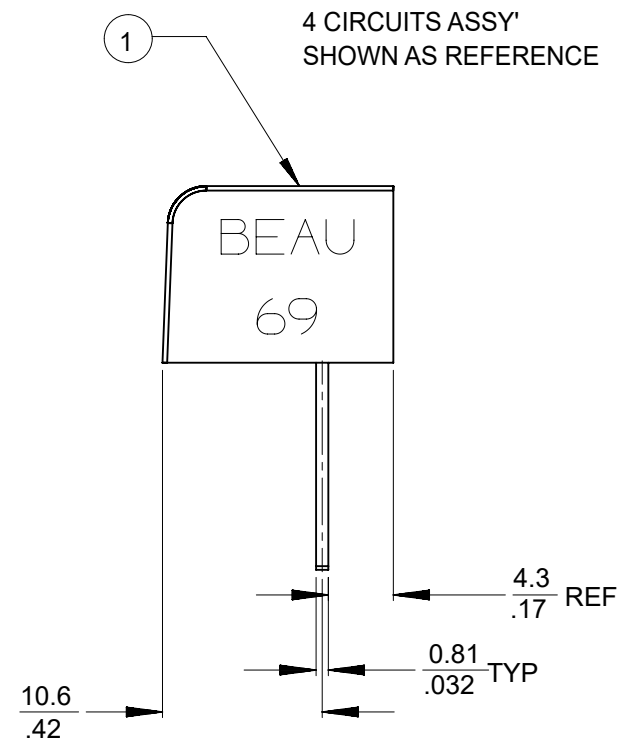
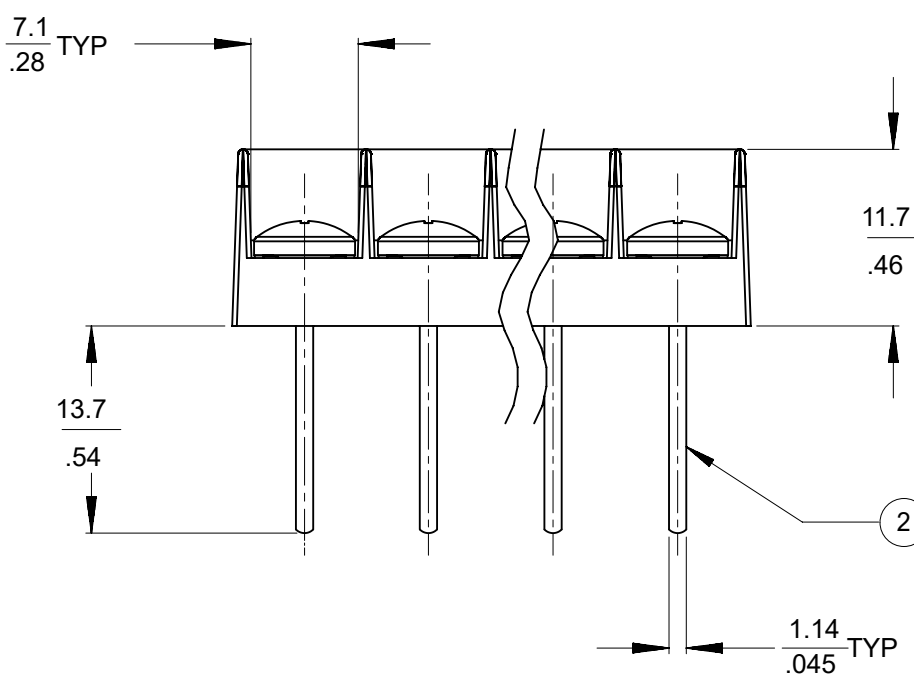
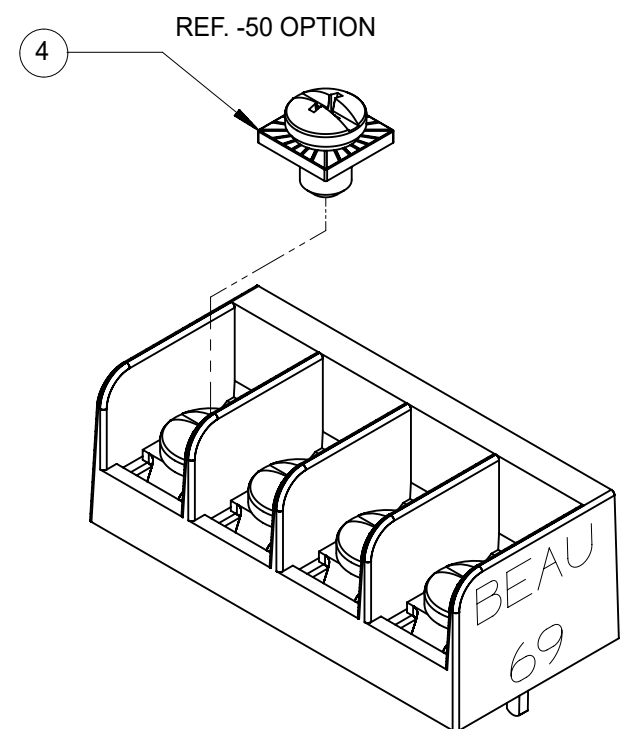
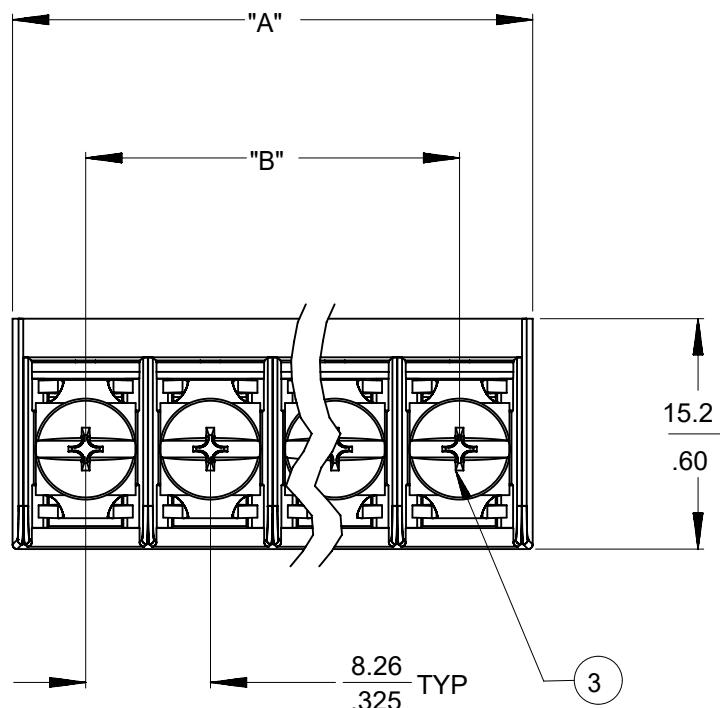


NO. OF CIRCUITS	DIM. "A"		DIM. "B"		ASSEMBLY MATERIAL NO. (STANDARD)	ASSEMBLY MATERIAL NO. (-50 OPT)
	mm	in	mm	in		
03	26.2	1.03	16.5	.65		386913503
06	50.9	2.01	41.3	1.63		386913506
08	67.4	2.66	57.8	2.28	386912308	
21	174.8	6.88	165.1	6.50		386913521



NOTES:
 1. MATERIAL: SEE TABLE
 2. FINISHES: SEE TABLE.
 3. "XX" REFERS TO THE QUANTITY OF CIRCUITS.
 4. ROHS COMPLIANT.

ITEM	QTY.	DESCRIPTION	MATERIAL NO.	ENGINEERING NO.
4	XX	SCREW #6-32X.155 PAN PHSLZN/BR/STEEL -50	STEEL	ZN, CLEAR CHROMATE
3	XX	SCREW #6-32X.160 PAN PHSLNI/BRASS (STD)	BRASS	NICKEL PLATE
2	XX	TERMINAL, PC	BRASS	TIN PLATE
1	1	INSULATOR	POLYESTER (PBT)	BLACK

THIS DRAWING CONTAINS INFORMATION THAT IS PROPRIETARY TO MOLEX ELECTRONIC TECHNOLOGIES, LLC AND SHOULD NOT BE USED WITHOUT WRITTEN PERMISSION												
FUNCTIONAL SYMBOLS	FA = 0	MM/IN	SCALE	2:1	CURRENT REV DESC: OBSOLETE PART NUMBERS AS PER PCN#510807							
	EA = 0	GENERAL TOLERANCES (UNLESS SPECIFIED)										
DIVISIONAL SYMBOLS	EA = 0	4 PLACES	±		EC NO: 726454					PRODUCT CUSTOMER DRAWING DOCUMENT NUMBER: SD-38691-002 DOC TYPE: PSD DOC PART: 001 REVISION: A1		
		3 PLACES	±	0.005	DRWN: LIKITV 2022/10/20							
		2 PLACES	±	0.13	±	0.01	CHK'D: GGA 2022/11/30					
		1 PLACE	±	0.3	±		APPR: GGA 2022/11/30					
		0 PLACES	±		INITIAL REVISION: DRWN: AHIDALGO 2007/04/02							
					APPR: JMACNEIL 2012/06/01							
		ANGULAR TOL	±	2.0°	THIRD ANGLE PROJECTION							
		DRAFT WHERE APPLICABLE MUST REMAIN WITHIN DIMENSIONS			DRAWING		SERIES	MATERIAL NUMBER	CUSTOMER	SHEET NUMBER		
					B-SIZE	38691	SEE CHART	GENERAL MARKET	1 OF 1			