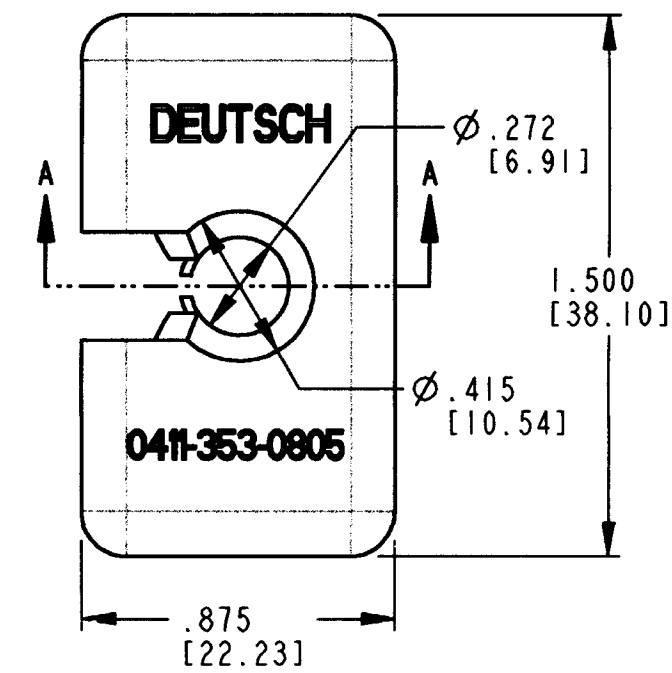


REV B 0411-353-0805

REVISIONS			
SYM	DESCRIPTION	DATE	APPROVED
NC	NEW RELEASE PER E.O. P15814	10/29/98	R.R.
A	REDESIGNED-REDRAWN PER E.O. P15969	3/19/99	R.R.
B	REVISED PER E.O. P16004	4-5-99	RDR



3. TOOL APPLICATION:
THIS TOOL IS SAME AS STANDARD TOOL (P/N 11408)
EXCEPT IS 1.350 (34.29mm) LONGER,
FOR USE WITH HDBOX ASSEMBLY.

2. MATERIAL: PLASTIC, GREEN.

NOTES: 1. TOLERANCES \pm .025 (0.63mm).

SIGNATURE & DATE	
DR	V. TOMSA MAR-16-98.
CHK	<i>[Signature]</i> 3/15/99
PE	<i>[Signature]</i> MAR-31-99
APPD	<i>[Signature]</i> 4-5-99
SCALE	2:1 WT

PROBE
REMOVAL TOOL
SIZE 8 LONG
HDBOX SERIES

ENVELOPE

CP	MATL. CODE
	The Deutsch Company DEUTSCH I.P.D. 3850 INDUSTRIAL AVE. HEMET, CALIF. 92545
B	0411-353-0805
DWG SIZE	CODE 11139 SHEET OF