

10 9 8 7 6 5 4 3 2 1

F

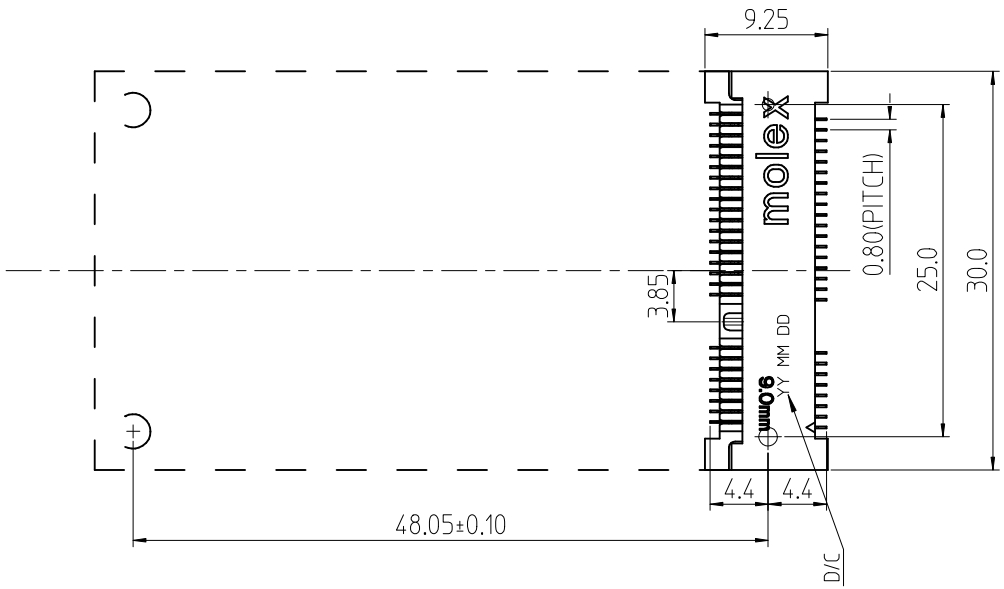
E

D

C

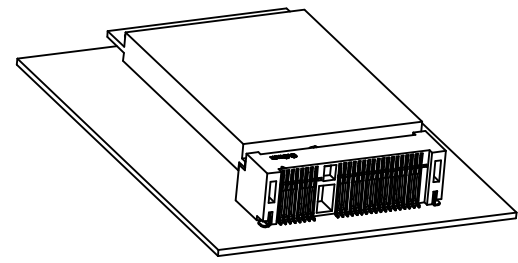
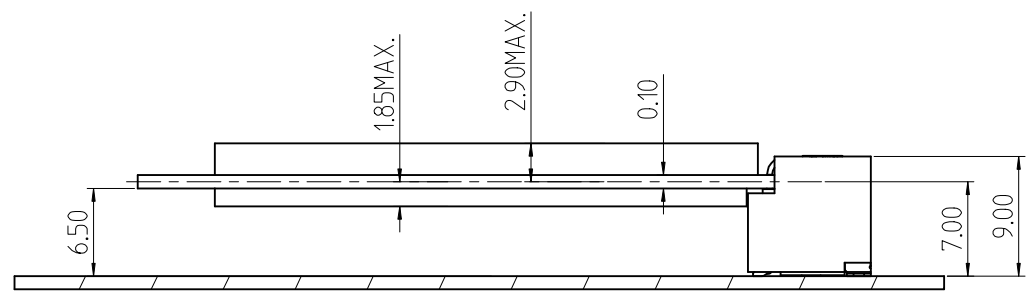
B

A



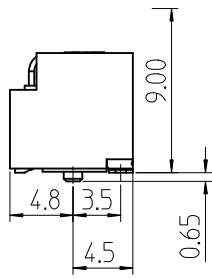
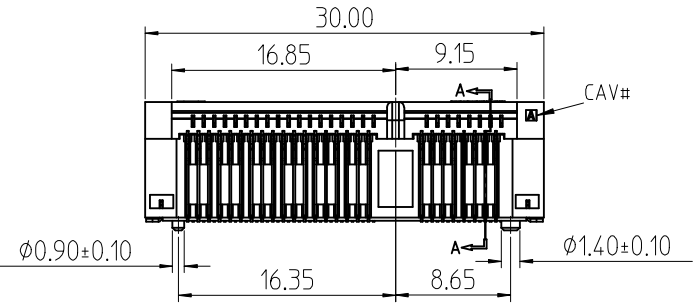
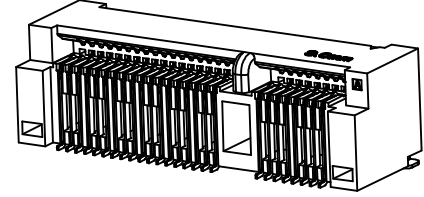
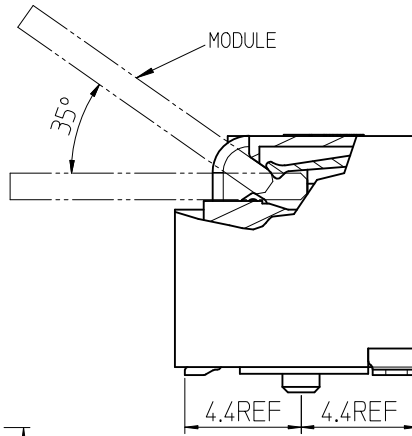
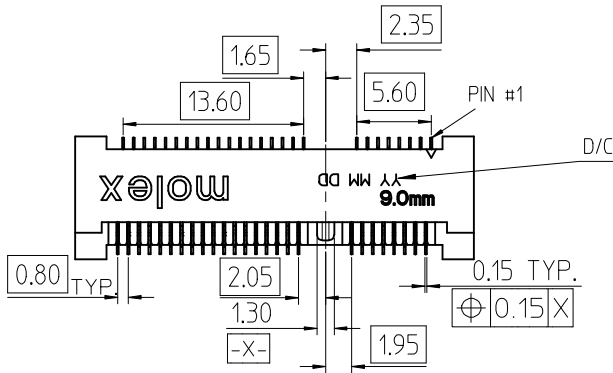
NOTES:

1. MATERIAL:
  - 1.1 HOUSING: THERMOPLASTIC, HIGH TEMP., UL94V-0; COLOR:NATURE(WHITE).
  - 1.2 CONTACT: COPPER ALLOY
  - 1.3 FITTING NAIL: COPPER ALLOY
2. FINISH:
  - 2.1 CONTACT:
    - GOLD PLATING 30 MICROINCH MINIMUM ON CONTACT AREA
    - GOLD FLASH OVERALL
    - NICKEL UNDERPLATING OVERALL.
  - 2.2 FITTING NAIL:
    - 100u" MIN. TIN PLATING ON SOLDER TAILS.
    - NICKEL UNDERPLATING OVERALL.
- 3.PRODUCT SPECIFICATION REFER TO PS-48338-001
- 4.PACKAGING DRAWING REFER TO PK-48338-001
- 5.TEST SUMMARY REFER TO TS-48338-001
- 6.LEAD FREE AND ROHS COMPLIANT PRODUCT

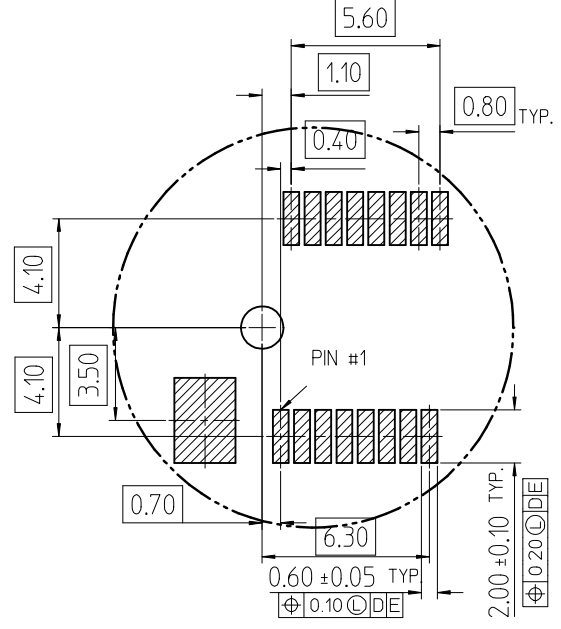


<p><b>NEW PRODUCT</b>                  EC NO: SH2009-0617                  DRWR:ZHANG                  CHKD:                  APPR:HWANG</p>	<p>2009/04/03                  2009/04/07                  2009/04/13</p>	<p>DESCRIPTION                  REV</p>	<p>QUALITY SYMBOLS                  ▽=0                  ◻=0</p>	GENERAL TOLERANCES (UNLESS SPECIFIED)		DIMENSION STYLE	SCALE	DESIGN UNITS	THIRD ANGLE PROJECTION			
						MM ONLY	1:1	METRIC				
				4 PLACES	± ---	± ---	DRAWN BY	DATE	TITLE MINI PCI EXP. 0.8 PITCH H=9.00MM			
				3 PLACES	± ---	± ---	E. K.	2008/10/21				
2 PLACES	± 0.25	± ---	CHECKED BY	DATE	MOLEX INCORPORATED							
1 PLACE	± 0.25	± ---	DAVID ZHANG	2008/10/21								
ANGULAR ± 3 °				APPROVED BY	DATE	MATERIAL NO.		DOCUMENT NO.	SHEET NO.			
DRAFT WHERE APPLICABLE MUST REMAIN WITHIN DIMENSIONS				HWANG	2008/10/21	483380001		SD-48338-001	1 OF 3			
				SIZE	THIS DRAWING CONTAINS INFORMATION THAT IS PROPRIETARY TO MOLEX INCORPORATED AND SHOULD NOT BE USED WITHOUT WRITTEN PERMISSION							
				A3								

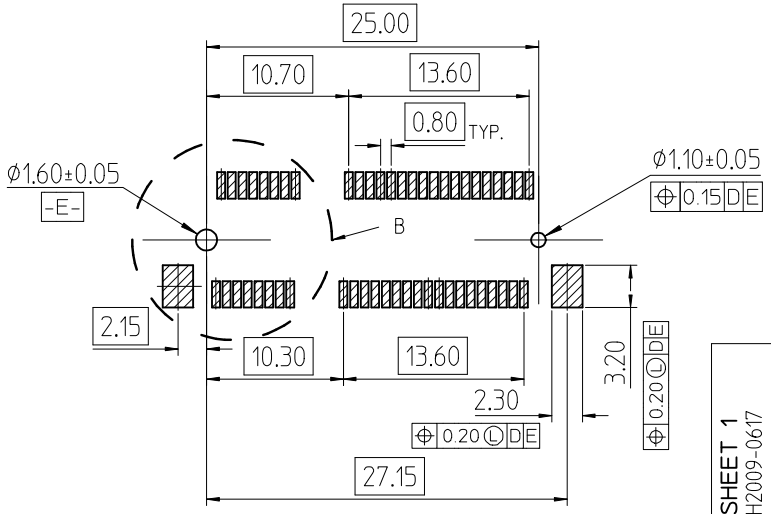
9 8 7 6 5 4 3 2 1



SECTION A-A

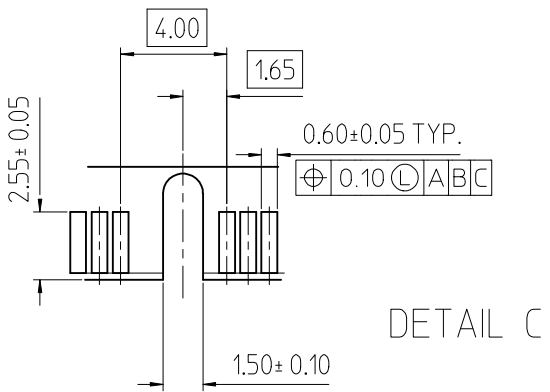
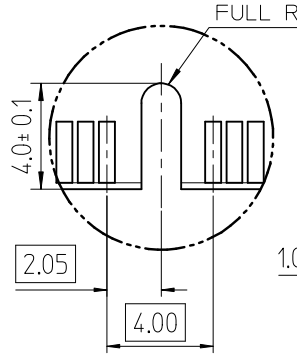
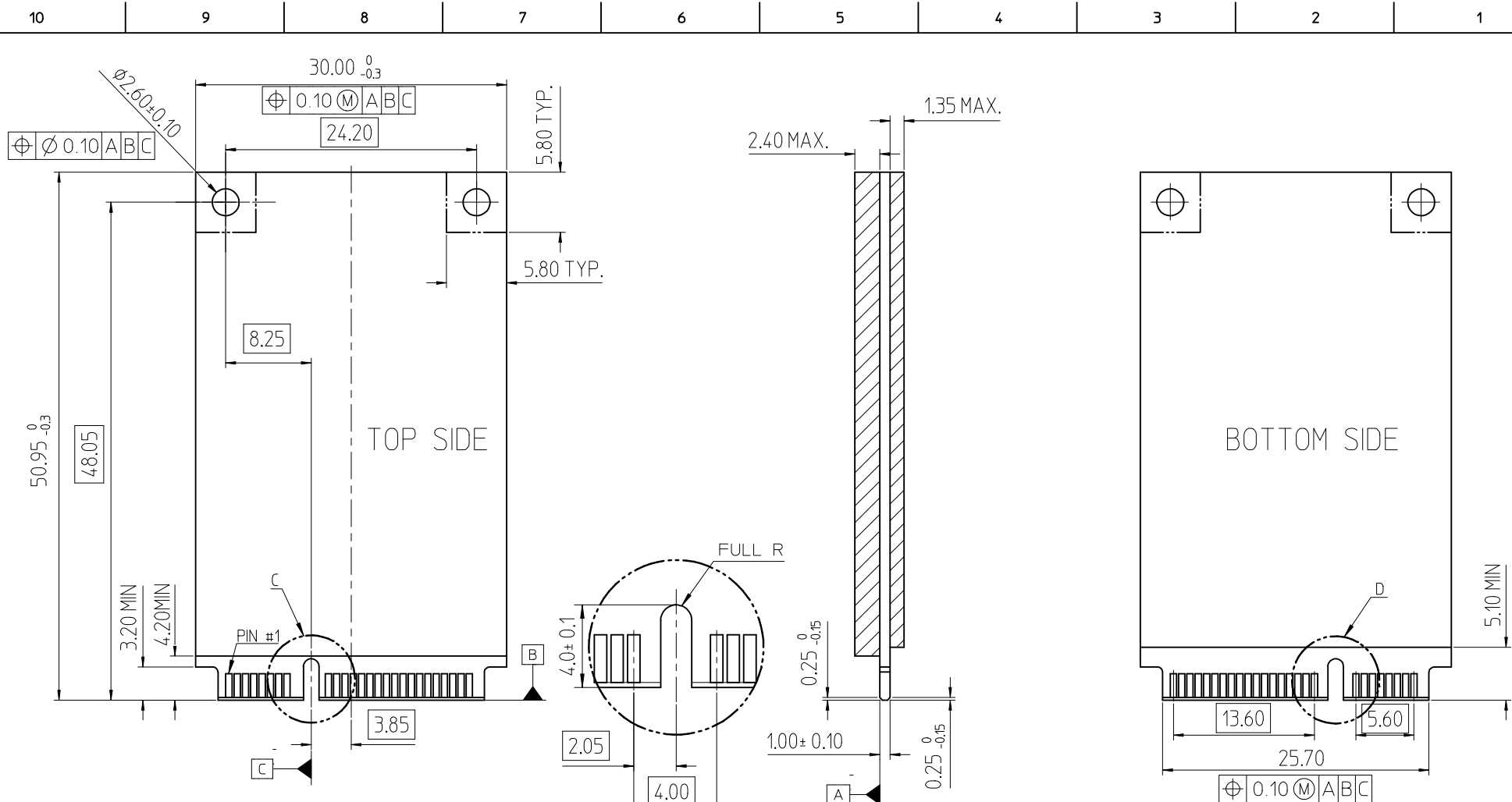


DETAIL B



CONNECTOR LAYOUT

SEE SHEET 1 EC NO: SHZ009-0617 DRWR:ZHANG CHKD: APPR:HWANG	QUALITY SYMBOLS ▽=0 ◻=0	GENERAL TOLERANCES (UNLESS SPECIFIED)		DIMENSION STYLE MM ONLY		SCALE 1:1	DESIGN UNITS METRIC	THIRD ANGLE PROJECTION			
		4 PLACES ± --- ± ---	mm INCH	DRAWN BY E. K.	DATE 2008/10/21	TITLE MINI PCI EXP. 0.8 PITCH H=9.00MM					
		3 PLACES ± --- ± ---		CHECKED BY DAVID ZHANG	DATE 2008/10/21	MOLEX INCORPORATED					
		2 PLACES ± 0.25 ± --- 1 PLACE ± 0.25 ± ---		APPROVED BY HWANG	DATE 2008/10/21	MATERIAL NO. SEE SHEET 1		DOCUMENT NO. SD-48338-001	SHEET NO. 2 OF 3		
DRAFT WHERE APPLICABLE MUST REMAIN WITHIN DIMENSIONS		SIZE A3		THIS DRAWING CONTAINS INFORMATION THAT IS PROPRIETARY TO MOLEX INCORPORATED AND SHOULD NOT BE USED WITHOUT WRITTEN PERMISSION							



NOTES:  
 1. PIN NUMBERING REFERENCE:  
 ODD PINS: TOP SIDE  
 EVEN PINS: BOTTOM SIDE

SEE SHEET 1 EC NO: SH2009-0617 DRW: RZHANG CHKD: APPR: HWANG	2009/04/03 2009/04/07 2009/04/13	QUALITY SYMBOLS $\nabla = 0$ $\sphericalangle = 0$	GENERAL TOLERANCES (UNLESS SPECIFIED)	DIMENSION STYLE <b>MM ONLY</b>	SCALE <b>1:1</b>	DESIGN UNITS <b>METRIC</b>	THIRD ANGLE PROJECTION	
	DESCRIPTION	mm INCH	4 PLACES ± --- ± --- 3 PLACES ± --- ± --- 2 PLACES ± 0.25 ± --- 1 PLACE ± 0.25 ± --- ANGULAR ± 3 °	DRAWN BY DATE E. K. 2008/10/21	TITLE <b>MINI PCI EXP. 0.8 PITCH          H=9.00mm</b>	MOLEX INCORPORATED	SHEET NO. <b>3 OF 3</b>	
	DRAFT WHERE APPLICABLE MUST REMAIN WITHIN DIMENSIONS	SEE SHEET 1	MATERIAL NO.	CHECKED BY DATE DAVID ZHANG 2008/10/21	APPROVED BY DATE HWANG 2008/10/21	DOCUMENT NO. <b>SD-48338-001</b>	THIS DRAWING CONTAINS INFORMATION THAT IS PROPRIETARY TO MOLEX INCORPORATED AND SHOULD NOT BE USED WITHOUT WRITTEN PERMISSION	
	REV <b>A</b>							

10 9 8 7 6 5 4 3 2 1

F

E

D

C

B

A

F

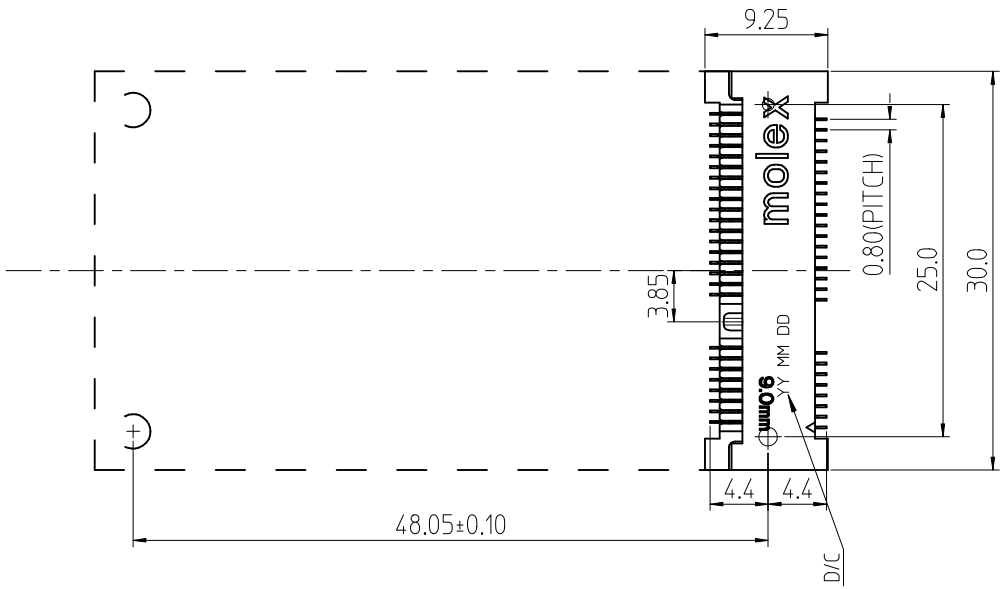
E

D

C

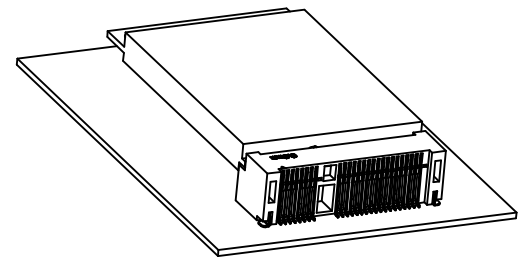
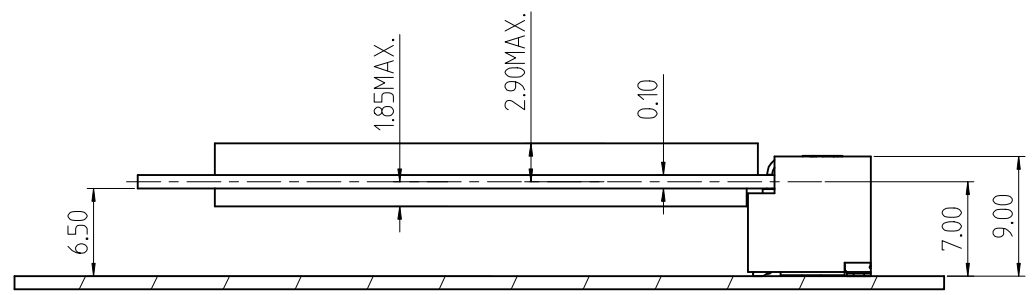
B

A



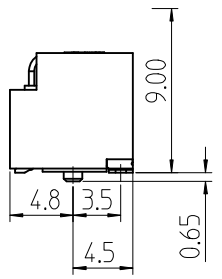
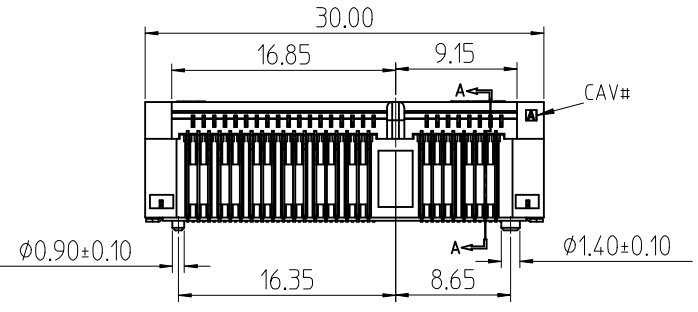
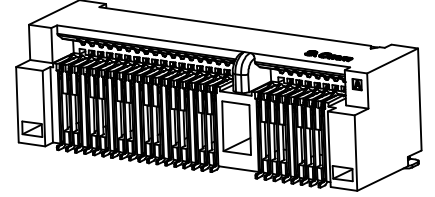
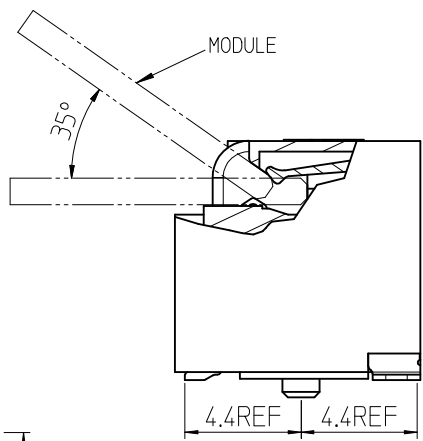
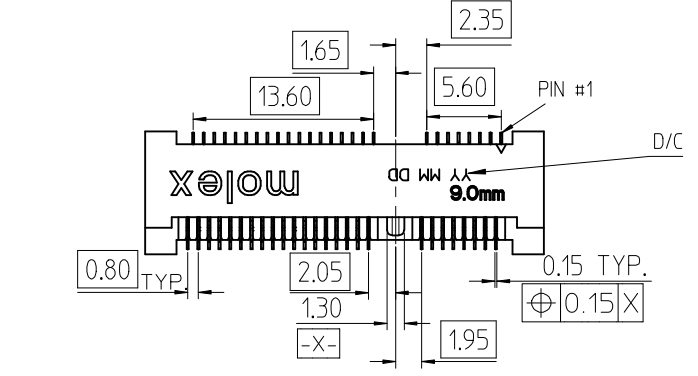
NOTES:

1. MATERIAL:
  - 1.1 HOUSING: THERMOPLASTIC, HIGH TEMP., UL94V-0; COLOR:NATURE(WHITE).
  - 1.2 CONTACT: COPPER ALLOY
  - 1.3 FITTING NAIL: COPPER ALLOY
2. FINISH:
  - 2.1 CONTACT:
    - GOLD PLATING 30 MICROINCH MINIMUM ON CONTACT AREA
    - GOLD FLASH OVERALL
    - NICKEL UNDERPLATING OVERALL.
  - 2.2 FITTING NAIL:
    - 100µ" MIN. TIN PLATING ON SOLDER TAILS.
    - NICKEL UNDERPLATING OVERALL.
- 3.PRODUCT SPECIFICATION REFER TO PS-48338-001
- 4.PACKAGING DRAWING REFER TO PK-48338-001
- 5.TEST SUMMARY REFER TO TS-48338-001
- 6.LEAD FREE AND ROHS COMPLIANT PRODUCT

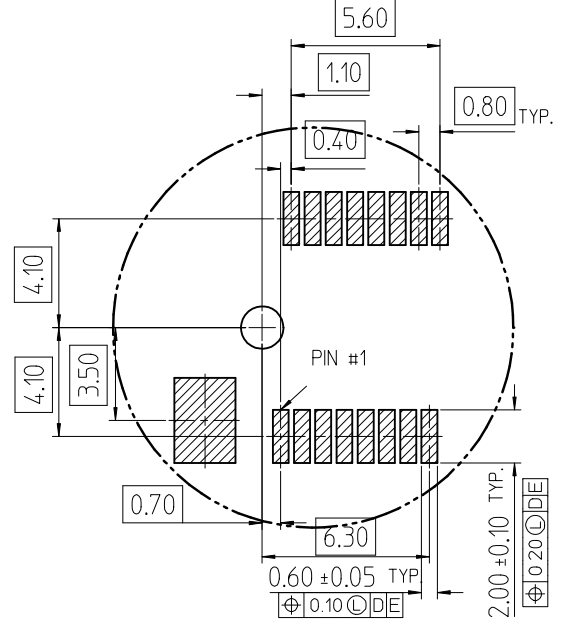


<p><b>NEW PRODUCT</b>                  EC NO: SH2009-0617                  DRWR:ZHANG                  CHKD:                  APPR:HWANG</p>	<p>2009/04/03 2009/04/07 2009/04/13</p>	<p>DESCRIPTION REV</p>	<p>QUALITY SYMBOLS                  ▽=0                  ◻=0</p>	GENERAL TOLERANCES (UNLESS SPECIFIED)		DIMENSION STYLE	SCALE	DESIGN UNITS	THIRD ANGLE PROJECTION			
						MM ONLY	1:1	METRIC				
				4 PLACES	± ---	± ---	DRAWN BY	DATE	TITLE MINI PCI EXP. 0.8 PITCH H=9.00MM			
				3 PLACES	± ---	± ---	E. K.	2008/10/21				
2 PLACES	± 0.25	± ---	CHECKED BY	DATE	MOLEX INCORPORATED							
1 PLACE	± 0.25	± ---	DAVID ZHANG	2008/10/21								
ANGULAR ± 3 °				APPROVED BY	DATE	MATERIAL NO.	DOCUMENT NO.	SHEET NO.				
DRAFT WHERE APPLICABLE MUST REMAIN WITHIN DIMENSIONS				HWANG	2008/10/21	483380001	SD-48338-001	1 OF 3				
				SIZE	THIS DRAWING CONTAINS INFORMATION THAT IS PROPRIETARY TO MOLEX INCORPORATED AND SHOULD NOT BE USED WITHOUT WRITTEN PERMISSION							
				A3								

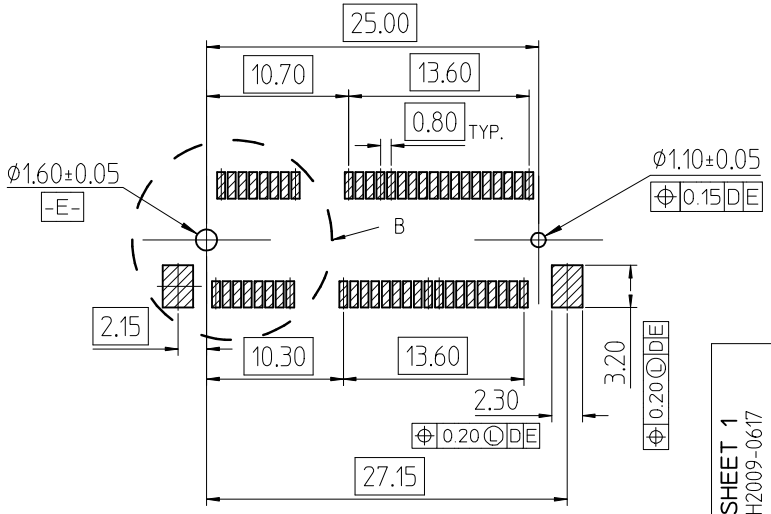
9 8 7 6 5 4 3 2 1



SECTION A-A

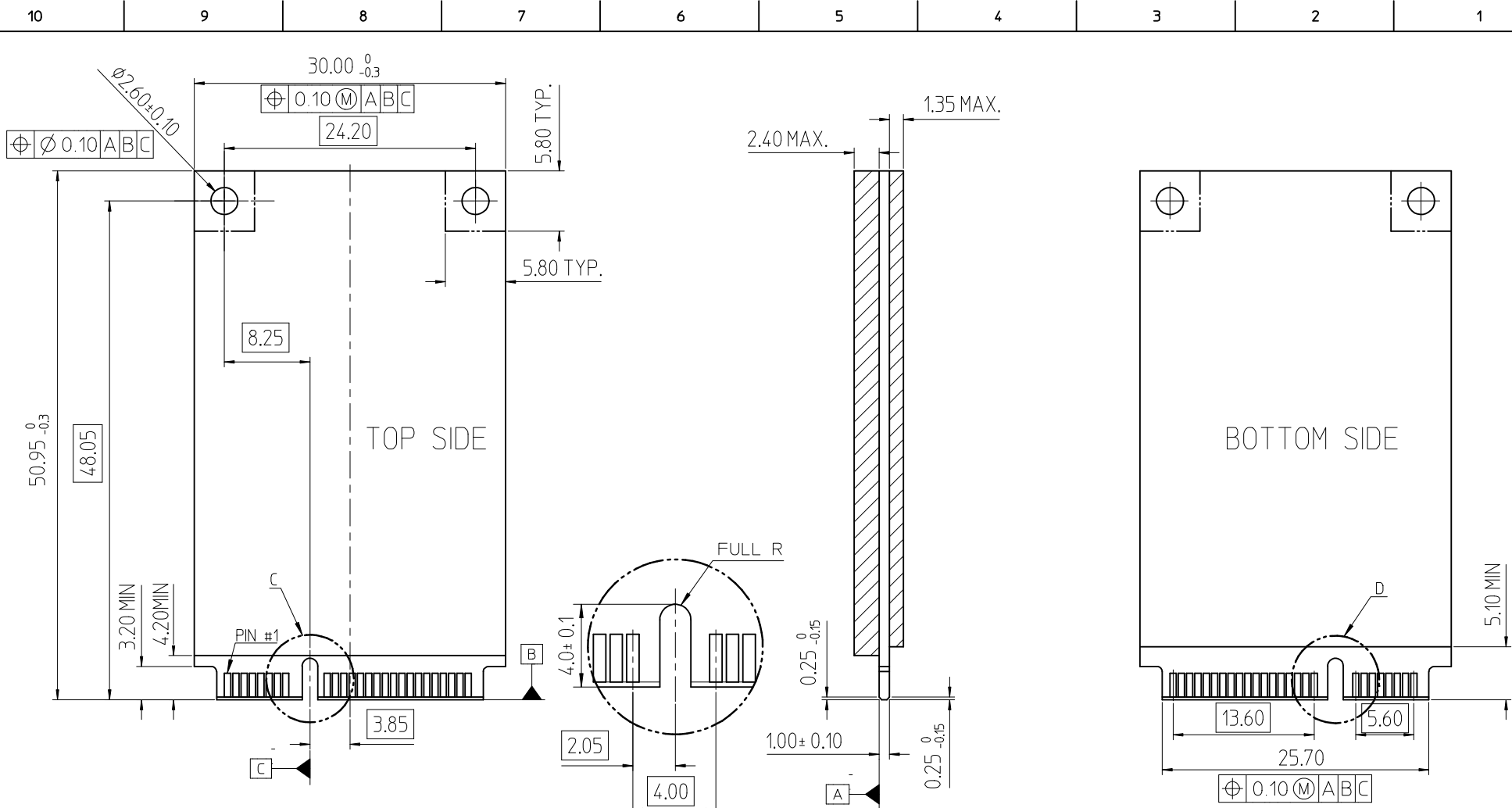


DETAIL B



CONNECTOR LAYOUT

SEE SHEET 1 EC NO: SHZ009-0617 DRWR:ZHANG CHKD: APPR:HWANG 2009/04/03 2009/04/07 2009/04/13	QUALITY SYMBOLS ▽=0 ◻=0	GENERAL TOLERANCES (UNLESS SPECIFIED)		DIMENSION STYLE MM ONLY		SCALE 1:1	DESIGN UNITS METRIC	THIRD ANGLE PROJECTION			
		4 PLACES ± --- ± ---	3 PLACES ± --- ± ---	2 PLACES ± 0.25 ± ---	1 PLACE ± 0.25 ± ---	ANGULAR ± 3 °	DRAWN BY E. K.	DATE 2008/10/21	TITLE MINI PCI EXP. 0.8 PITCH H=9.00MM		
		DRAFT WHERE APPLICABLE MUST REMAIN WITHIN DIMENSIONS					CHECKED BY DAVID ZHANG	DATE 2008/10/21	MOLEX INCORPORATED		
		SEE SHEET 1					APPROVED BY HWANG	DATE 2008/10/21	MATERIAL NO. SD-48338-001	DOCUMENT NO.	SHEET NO. 2 OF 3



NOTES:  
 1. PIN NUMBERING REFERENCE:  
 ODD PINS: TOP SIDE  
 EVEN PINS: BOTTOM SIDE

SEE SHEET 1 EC NO: SH2009-0617 DRW: RZHANG CHKD: APPR: HWANG 2009/04/03 2009/04/07 2009/04/13	QUALITY SYMBOLS $\nabla = 0$ $\sphericalangle = 0$	GENERAL TOLERANCES (UNLESS SPECIFIED) mm INCH 4 PLACES $\pm$ --- $\pm$ --- 3 PLACES $\pm$ --- $\pm$ --- 2 PLACES $\pm$ 0.25 $\pm$ --- 1 PLACE $\pm$ 0.25 $\pm$ --- ANGULAR $\pm$ 3°	DIMENSION STYLE <b>MM ONLY</b>	SCALE <b>1:1</b>	DESIGN UNITS <b>METRIC</b>	THIRD ANGLE PROJECTION	
	DRAWN BY E. K.	DATE 2008/10/21	TITLE <b>MINI PCI EXP. 0.8 PITCH          H=9.00mm</b>				
	CHECKED BY DAVID ZHANG	DATE 2008/10/21	MOLEX INCORPORATED				
	APPROVED BY HWANG	DATE 2008/10/21	MATERIAL NO. <b>SEE SHEET 1</b>	DOCUMENT NO. <b>SD-48338-001</b>	SHEET NO. <b>3 OF 3</b>		
	DRAFT WHERE APPLICABLE MUST REMAIN WITHIN DIMENSIONS		SIZE <b>A3</b>	THIS DRAWING CONTAINS INFORMATION THAT IS PROPRIETARY TO MOLEX INCORPORATED AND SHOULD NOT BE USED WITHOUT WRITTEN PERMISSION			