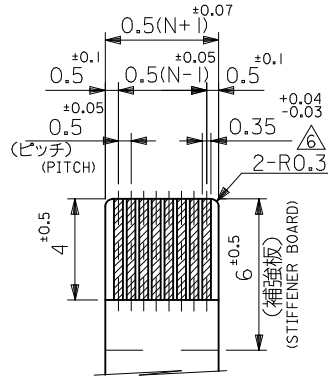


注記 NOTES

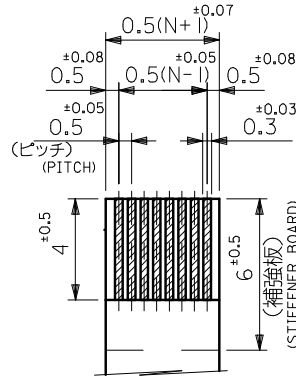
1. 使用材料 : MATERIAL
 ハウジング : 46ナイロン, UL94V-0
 HOUSING : 46NYLON
 アクチュエータ : PPS, UL94V-0
 ACTUATOR
 ターミナル : リン青銅, 半田メッキ (t=0.2)
 TERMINAL : PHOS-BRO.TIN-LEAD
 金具 : リン青銅, 半田メッキ (t=0.2)
 FITTING NAIL : PHOS-BRO.TIN-LEAD
2. エンボステープ梱包時は、アクチュエータがロックした状態とする。
 IN THE PACKAGE, ACTUATOR OF PART NO.52435-***27 SHOULD BE LOCKED.
- △ ソルダーテール半田付け面のズレ量、及び金具半田付け面のズレ量は、基準面 H に対し上方向 0.1 MAX. , 下方向 0.15MAX. とする。
 MISALIGNMENT OF SOLDER TAILS AND FITTING NAILS FROM H
 UPPER DIRECTION: 0.1 MAX. , LOWER DIRECTION: 0.15MAX.
- △ 偶数極に適用。
 APPLY FOR EVEN CIRCUIT.
- △ パターンはくり止め用金具。
 FITTING NAIL FOR PREVENTION OF PEELING OF P.C.B. PATTERN.
- △ R0.3は、FPCの導体部にかからないこと。
 R0.3 MUST NOT BE OVERLAPPED TO PATTERN OF FPC.
7. ソルダーテールの平坦度は、0.1 MAXIMUM とする。
 SOLDER TAIL COPLANARITY IS 0.1 MAXIMUM.

MODEL NO. 52435-***27

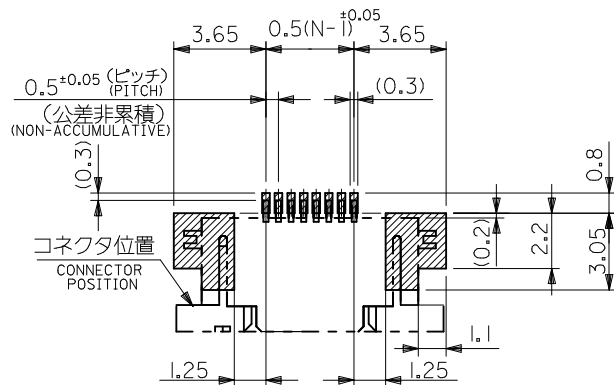
REVISED EC NO: J2015-0014 DRWN: AYOSHI I 01 2014/07/08 CHKD: YKOBAYASHI 02 2014/07/08 APPR: YNOGAWA 2014/07/17	GENERAL TOLERANCES (UNLESS SPECIFIED)		DIMENSION STYLE MM ONLY		SCALE ---	DESIGN UNITS METRIC	THIRD ANGLE PROJECTION
	10 UNDER	±0.2	DRAWN BY SKAJINUMA	DATE 91/10/31	TITLE 0.5 FPC CONN ZIF FOR SMT R/A (UPPER CONTACT)		
	10 OVER 30 UNDER	±0.25	CHECKED BY MFUKUSHIMA	DATE 97/07/15			
	30 OVER	±0.3	APPROVED BY MFUKUSHIMA	DATE 97/07/15			
	ANGULAR ±3 °		MATERIAL NO. SEE SHEET 2		DOCUMENT NO. SD-52435-018		SHEET NO. 1 OF 2
DRAFT WHERE APPLICABLE MUST REMAIN WITHIN DIMENSIONS		THIS DRAWING CONTAINS INFORMATION THAT IS PROPRIETARY TO MOLEX INCORPORATED AND SHOULD NOT BE USED WITHOUT WRITTEN PERMISSION					



適合FPC推奨寸法
APPLICABLE FPC
RECOMMENDED DIMENSION.
(仕上がり厚さ: 0.3^{+0.05})
(THICKNESS: 0.3^{+0.05})



適合FFC推奨寸法
APPLICABLE FFC
RECOMMENDED DIMENSION.
(仕上がり厚さ: 0.3^{+0.05})
(THICKNESS: 0.3^{+0.05})



参考基板レイアウト
(マウント面)
RECOMMENDED P.C.BOARD
PATTERN DIMENSION (REF.)
(MOUNTING SIDE)

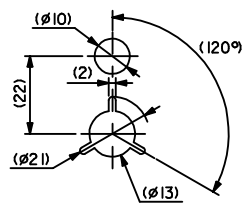
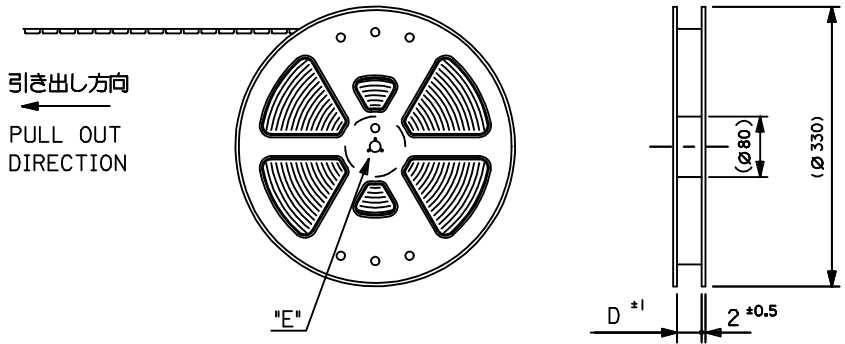
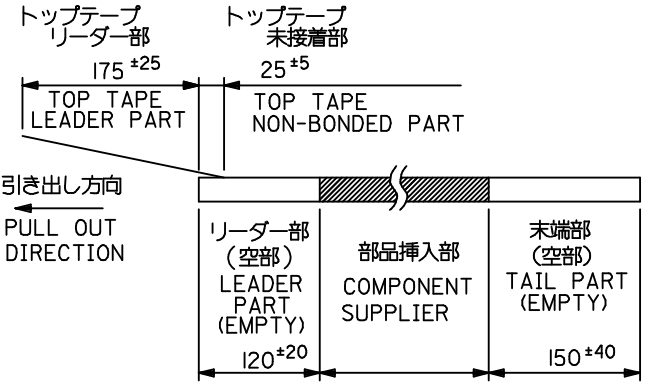
20.6	18.6	14.65	13.5	52435-2827	28
20.1	18.1	14.15	13.0	-2727	27
18.6	16.6	12.65	11.5	-2427	24
18.1	16.1	12.15	11.0	-2327	23
17.6	15.6	11.65	10.5	-2227	22
16.6	14.6	10.65	9.5	-2027	20
16.1	14.1	10.15	9.0	-1927	19
15.6	13.6	9.65	8.5	-1827	18
15.1	13.1	9.15	8.0	-1727	17
14.6	12.6	8.65	7.5	-1627	16
14.1	12.1	8.15	7.0	-1527	15
13.6	11.6	7.65	6.5	-1427	14
13.1	11.1	7.15	6.0	-1327	13
12.1	10.1	6.15	5.0	-1127	11
11.6	9.6	5.65	4.5	-1027	10
11.1	9.1	5.15	4.0	-0927	9
10.6	8.6	4.65	3.5	-0827	8
10.1	8.1	4.15	3.0	-0727	7
9.6	7.6	3.65	2.5	52435-0627	6

MODEL NO. 52435-**27 D C B (A) MATERIAL NO. 極数

REVISED EC NO: J2015-0014 DRWN: YOSHII 2014/07/08 CHKD: YKOBAYASHI 2014/07/08 APPR: YNOGAWA 2014/07/17	GENERAL TOLERANCES (UNLESS SPECIFIED)		DIMENSION STYLE MM ONLY		SCALE ---	DESIGN UNITS METRIC		THIRD ANGLE PROJECTION	
	10 UNDER	±0.2	DRAWN BY	DATE	TITLE				
	10 OVER 30 UNDER	±0.25	SKAJINUMA	9/10/31	0.5 FPC CONN ZIF FOR SMT R/A (UPPER CONTACT)				
	30 OVER	±0.3	CHECKED BY	DATE					
ANGULAR ±3 °		APPROVED BY	DATE	molex		DOCUMENT NO.		SHEET NO.	
DRAFT WHERE APPLICABLE MUST REMAIN WITHIN DIMENSIONS		MATERIAL NO.		SEE CHART		SD-52435-018		2 OF 2	
		SIZE A3		THIS DRAWING CONTAINS INFORMATION THAT IS PROPRIETARY TO MOLEX INCORPORATED AND SHOULD NOT BE USED WITHOUT WRITTEN PERMISSION					

注記 NOTES

- 製品番号 52435-***27の梱包状態はアクチュエータがロックした状態とする。
 詳細寸法については図面SD-52435-018を参照下さい。
 IN THE PACKAGE,ACTUATOR OF PART NO.52435-***27 SHOULD BE LOCKED RE DETAILED DIMENSIONS,SEE SD-52435-018
- 梱包数量：1000個/リール
 NUMBER OF CONNECTORS:1000PCS/REEL
- リードテープ長さ LEAD TAPE LENGTH

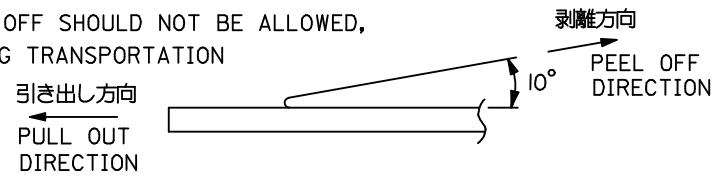


DETAIL 'E'

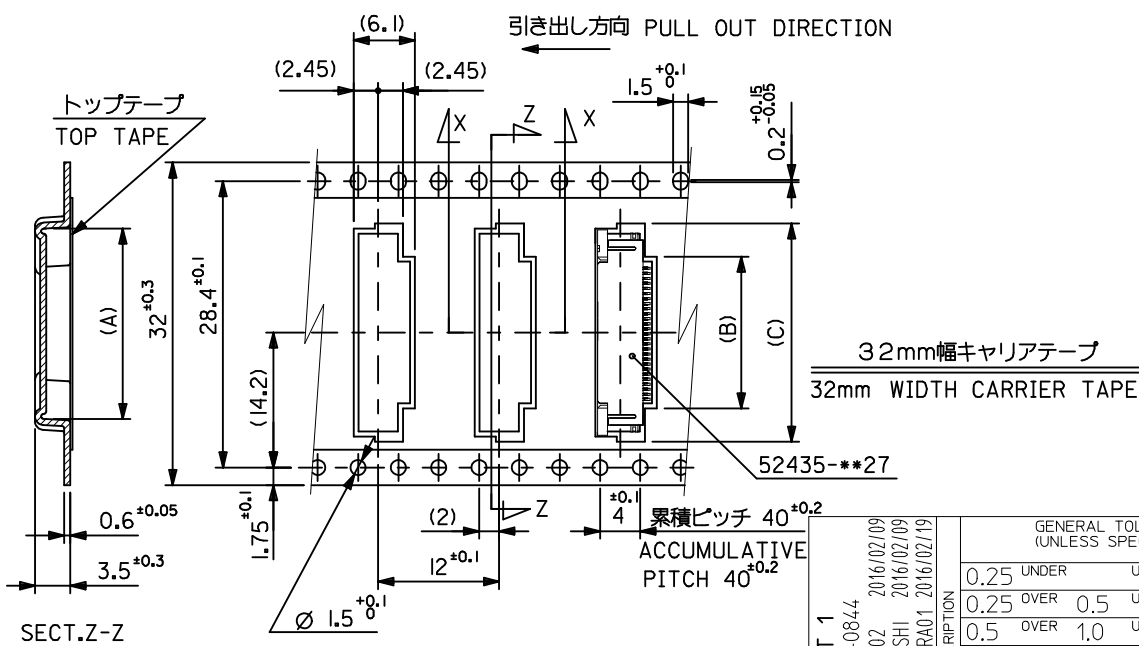
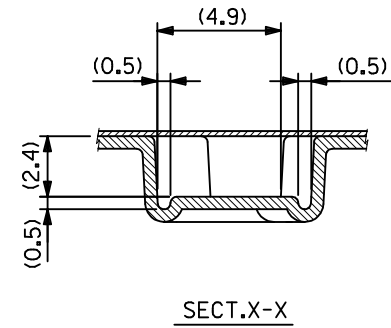
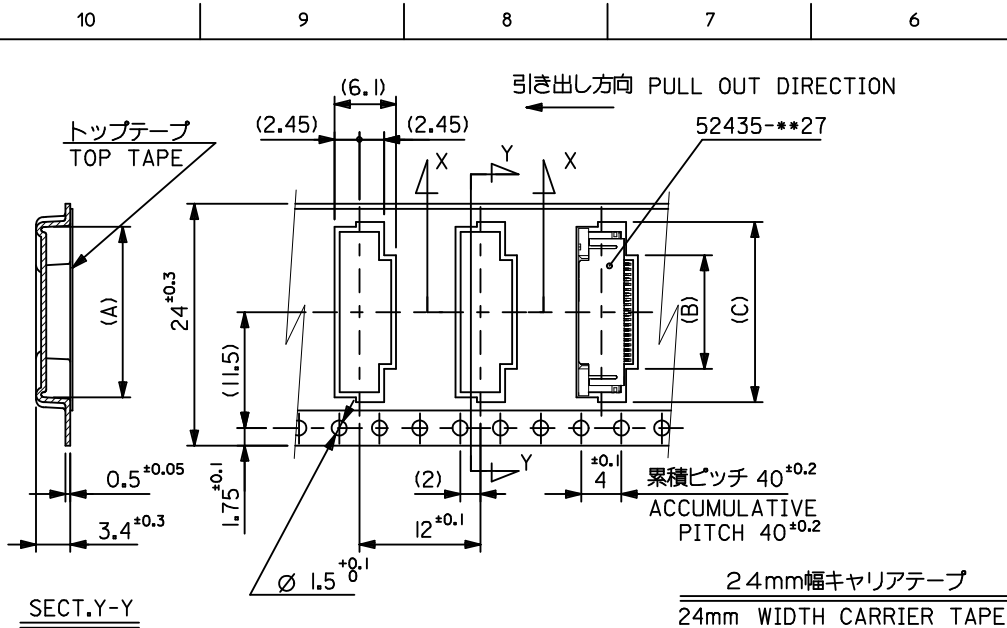
5. 材料 (MATERIAL)

キャリアテープ (CARRIER TAPE) :ポリプロピレン (POLYPROPYLENE)
 トップテープ (TOPTAPE) : PET, PE, PEF
 リール (REEL) : ポリスチレン (PS) <リサイクル材を含む>
 POLYSTYREN (PS) <RECYCLE MATERIAL CONTAINED>

- トップテープの剥離強度：(剥離方向は下図参照)
 0.1N~0.7N (10.2gf~71.4gf) 尚、本規格値は、出荷時に適用。
 (但し、輸送時に剥離が発生しない事。)
 PEELING OFF FORCE OF TOP TAPE
 0.1N~0.7N(10.2gf~71.4gf)(PEELING DIRECTION AS SHOWN IN FOLLOWING FIG.)
 THIS REQUIREMENT SHOULD BE APPLIED AT SHIPMENT
 PEEL OFF SHOULD NOT BE ALLOWED,
 DURING TRANSPORTATION

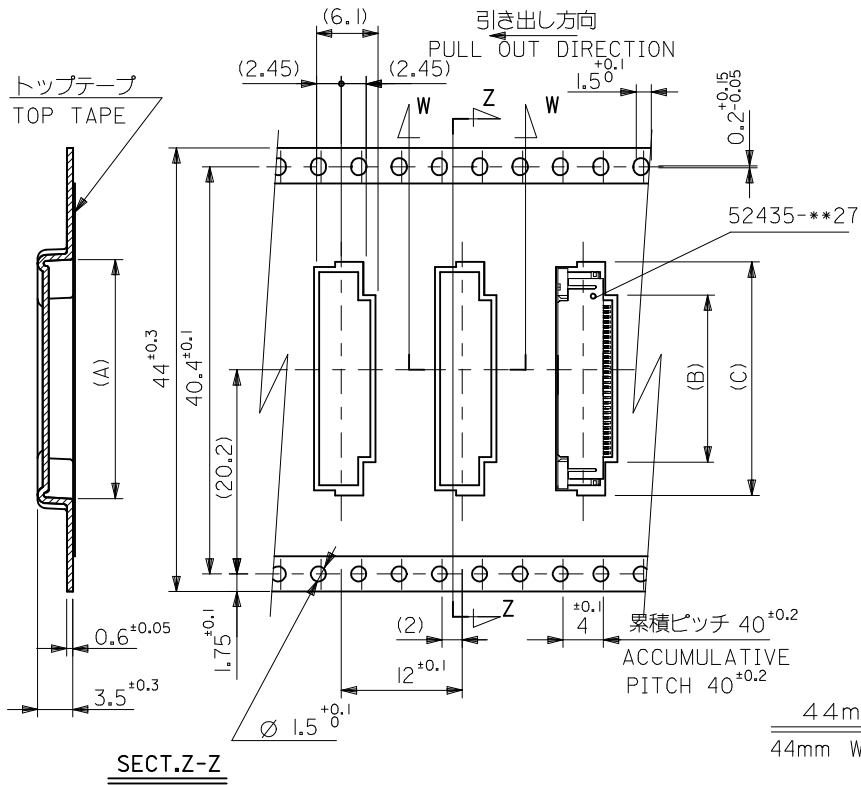


REVISED	EC NO: J2016-0844	GENERAL TOLERANCES (UNLESS SPECIFIED)		DIMENSION STYLE		SCALE	DESIGN UNITS	THIRD ANGLE PROJECTION	
	DRWN: YMIZUNO02 2016/02/09	0.25 UNDER	UNDER	±0.03	MM ONLY	---	METRIC	◎ □	
	CHKD: TAKAHASHI 2016/02/09	0.25 OVER	0.5 UNDER	±0.05	DRAWN BY	DATE	TITLE		
	APPR: KUSUHARA01 2016/02/19	0.5 OVER	1.0 UNDER	±0.1	TMORISHITA	2013/08/01	EMBOSSED TAPE PACKAGE		
		1.0 OVER	10 UNDER	±---	CHECKED BY	DATE	FOR 52435-***27		
		10 OVER	30 UNDER	±---	KTAKAHASHI	2013/08/01	SHEET 1 OF 3		
	30 OVER		±---	APPROVED BY	DATE	molex			
	ANGULAR	±---	°	YNOGAWA	2013/09/09				SD-52435-024
		DRAFT WHERE APPLICABLE MUST REMAIN WITHIN DIMENSIONS			MATERIAL NO.		DOCUMENT NO.	SHEET NO.	
					SEE SHEET 2-3		SD-52435-024	1 OF 3	
					THIS DRAWING CONTAINS INFORMATION THAT IS PROPRIETARY TO MOLEX ELECTRONIC TECHNOLOGIES, LLC AND SHOULD NOT BE USED WITHOUT WRITTEN PERMISSION				



32	33.5	21.9	15.3	20.9	52435-2891	28
		21.4	14.8	20.4	-2791	27
		19.9	13.3	18.9	-2491	24
		19.4	12.8	18.4	-2391	23
		18.9	12.3	17.9	-2291	22
24	25.5	17.9	11.3	16.9	-2091	20
		17.4	10.8	16.4	-1991	19
		16.9	10.3	15.9	-1891	18
		16.4	9.8	15.4	-1791	17
		15.4	8.8	14.4	-1591	15
		14.9	8.3	13.9	-1491	14
		14.4	7.8	13.4	-1391	13
		13.4	6.8	12.4	-1191	11
		12.9	6.3	11.9	-1091	10
		12.4	5.8	11.4	-0991	9
		11.9	5.3	10.9	-0891	8
		11.4	4.8	10.4	-0791	7
10.9	4.3	9.9	52435-0691	6		

SEE SHEET 1 EC NO: J2016-0844 DRWN: YMIZUNO02 2016/02/09 CHKD: TAKAHASHI 2016/02/09 APPR: KUSUHARA01 2016/02/19	GENERAL TOLERANCES (UNLESS SPECIFIED)		DIMENSION STYLE		SCALE		DESIGN UNITS		THIRD ANGLE PROJECTION	
	0.25 UNDER UNDER ±0.03		MM ONLY		---		METRIC		<input checked="" type="checkbox"/> THIRD ANGLE <input type="checkbox"/> FIRST ANGLE	
	0.25 OVER 0.5 UNDER ±0.05		DRAWN BY DATE		TITLE		TITLE		TITLE	
	0.5 OVER 1.0 UNDER ±0.1		TMORISHITA 2013/08/01		EMBOSSED TAPE PACKAGE		EMBOSSED TAPE PACKAGE		EMBOSSED TAPE PACKAGE	
	1.0 OVER 10 UNDER ±---		CHECKED BY DATE		FOR 52435-**-27		FOR 52435-**-27		FOR 52435-**-27	
10 OVER 30 UNDER ±---		KTAKAHASHI 2013/08/01		SHEET 2 OF 3		SHEET 2 OF 3		SHEET 2 OF 3		
30 OVER ±---		APPROVED BY DATE		SEE CHART		SD-52435-024		SD-52435-024		
ANGULAR ±--- °		YNOGAWA 2013/09/09		MATERIAL NO.		DOCUMENT NO.		SHEET NO.		
DRAFT WHERE APPLICABLE MUST REMAIN WITHIN DIMENSIONS		SIZE		THIS DRAWING CONTAINS INFORMATION THAT IS PROPRIETARY TO MOLEX ELECTRONIC TECHNOLOGIES, LLC AND SHOULD NOT BE USED WITHOUT WRITTEN PERMISSION				2 OF 3		



44mm幅キャリアテープ
44mm WIDTH CARRIER TAPE

44	45.5	22.9	16.3	21.9	52435-3091	30
キャリアテープ幅 CARRIER TAPE WIDTH	D	(C)	(B)	(A)	ENG. NO.	極数 CIRCUIT

SEE SHEET 1 EC NO: J2016-0844 DRWN: YIMZUN002 2016/02/09 CHKD: KTAKAHASHI 2016/02/09 APPR: IKUSUHARA01 2016/02/19	GENERAL TOLERANCES (UNLESS SPECIFIED)		DIMENSION STYLE MM ONLY		SCALE ---	DESIGN UNITS METRIC	THIRD ANGLE PROJECTION
	0.25 UNDER	UNDER	±0.03	DRAWN BY	DATE	TITLE	
	0.25 OVER	0.5 UNDER	±0.05	TMORISHITA	2013/08/01	EMBOSSED TAPE PACKAGE FOR 52435-**27 SHEET 3 OF 3	
	0.5 OVER	1.0 UNDER	±0.1	KTAKAHASHI	2013/08/01	molex	
	1.0 OVER	10 UNDER	±---	APPROVED BY	DATE	MATERIAL NO.	DOCUMENT NO.
10 OVER	30 UNDER	±---	YNOGAWA	2013/09/09	SEE CHART	SD-52435-024	3 OF 3
30 OVER		±---	THIS DRAWING CONTAINS INFORMATION THAT IS PROPRIETARY TO MOLEX ELECTRONIC TECHNOLOGIES, LLC AND SHOULD NOT BE USED WITHOUT WRITTEN PERMISSION				
ANGULAR	±---	°					
DRAFT WHERE APPLICABLE MUST REMAIN WITHIN DIMENSIONS							