

6

5

4

3

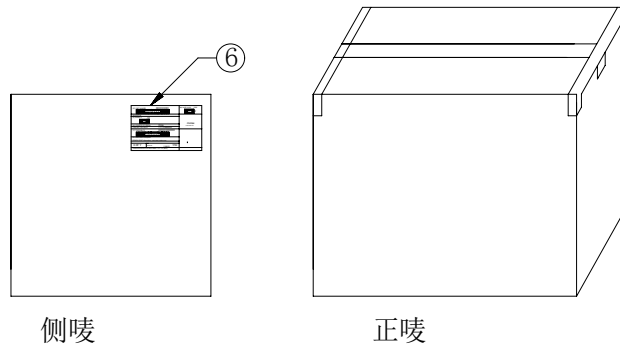
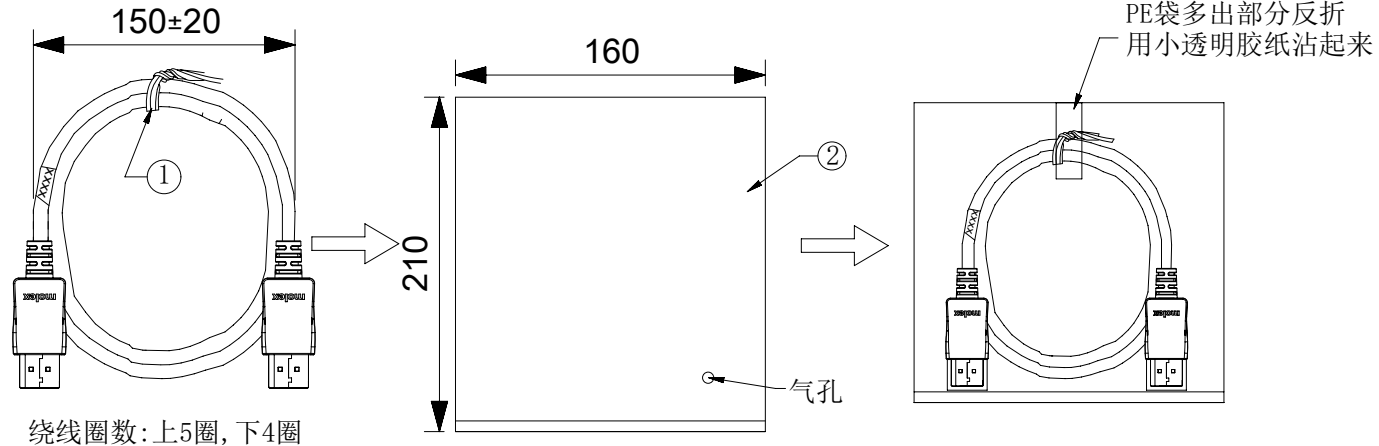
2

1

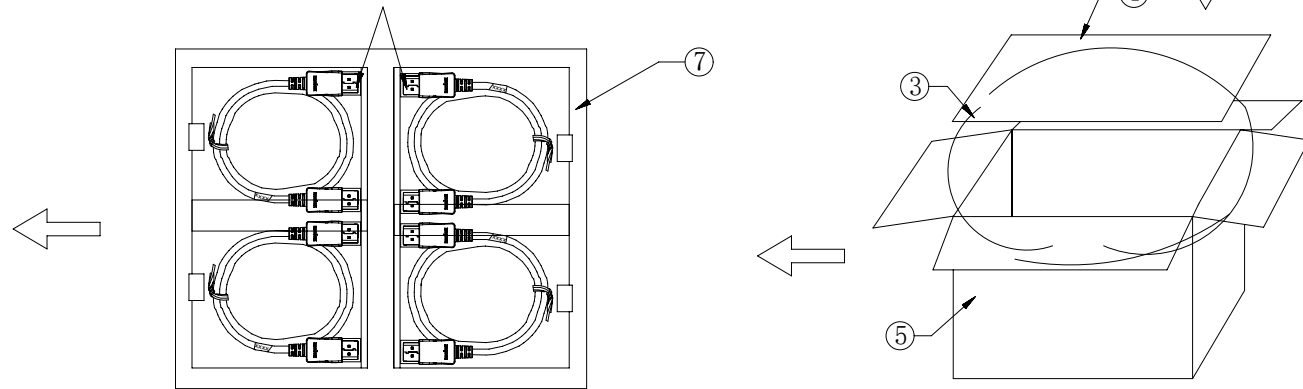
REVISIONS				
EC NO	DATE	REV	DESCRIPTION	CHANGER
NA	2021/11/01	C	ADD DUST COVER TO THE PACKAGING DRAWING	ZYLI02
NA	2021/12/17	D	CHANGE THE SPECIFICATION OF WATERPROOF BAG	ZYLI02

装箱方式:

1. 将检验好的产品装上防尘盖, 如右图扎线
2. 将扎好的产品单条装入PE袋内, PE袋多出部分反折用小透明胶纸沾起来;
3. 先在箱内放一个防水袋和一块隔板, 将产品整齐摆放于箱内, 20PCS一层, 层与层之间用隔板隔开, 一箱装40PCS, 放一包干燥剂, 最上面一层再放一块隔板;
4. 将防水袋折叠好, 用透明胶纸封口
5. 用封箱胶纸以工字型封箱;
6. 在外箱其中一侧棱右上角贴一出货标签
7. 外箱贴UL标签.



摆放时, PE袋折叠面朝下, 插头对插头摆放



A

NO	PART NAME	DESCRIPTION	Q' TY	UNIT
7	干燥剂	干燥剂	1/40	PCS
6	标签	空白铜版白贴纸:L127*W76mm	1/40	PCS
5	纸箱	纸箱: L385*W285*H200mm 材质(K=K) 红色印字	1/40	PCS
4	隔板	隔板: 368*270*3mm 材质(B33)	3/40	PCS
3	防水袋	L660*W610*T0.04mm (660mm为开口方)	1/40	PCS
2	PE袋	L210mm*W160mm*0.08mm (160mm为开口方) 无印字有气孔	1	PC
1	扎带	椭圆形PE, 黑色有芯扎带 L=100mm	1	PC

FUNCTIONAL SYMBOLS										THIS DRAWING CONTAINS INFORMATION THAT IS PROPRIETARY TO MOLEX ELECTRONIC TECHNOLOGIES, LLC AND SHOULD NOT BE USED WITHOUT WRITTEN PERMISSION									
DIMENSION UNITS					SCALE					CURRENT REV DESC:									
mm					1:1					EC NO: 689412									
GENERAL TOLERANCES (UNLESS SPECIFIED)										DRWN: ZYLI02									
ANGULAR TOL ± °										2021/12/17									
4 PLACES ±					3 PLACES ±					CHK'D: ZYLI02									
3 PLACES ±					2 PLACES ±					2021/12/17									
2 PLACES ±					1 PLACE ±					APPR: CLAN01									
1 PLACE ±					0 PLACES ±					2021/12/17									
0 PLACES ±					INITIAL REVISION:					DRWN: DLI50					2018/12/21				
DRAFT WHERE APPLICABLE MUST REMAIN WITHIN DIMENSIONS					THIRD ANGLE PROJECTION					DRAWING					SERIES				
					A4-SIZE					68783					MATERIAL NUMBER				
															687830079				
															CUSTOMER				
															SHEET NUMBER				
															1 OF 1				

DOCUMENT STATUS	P1	RELEASE DATE	2021/12/17	04:04:52
6	5	4	3	2

FORMAT: master-D-prod-A4
REVISION: 01
DATE: 2021/05/01

6

5

4

3

2

1

A