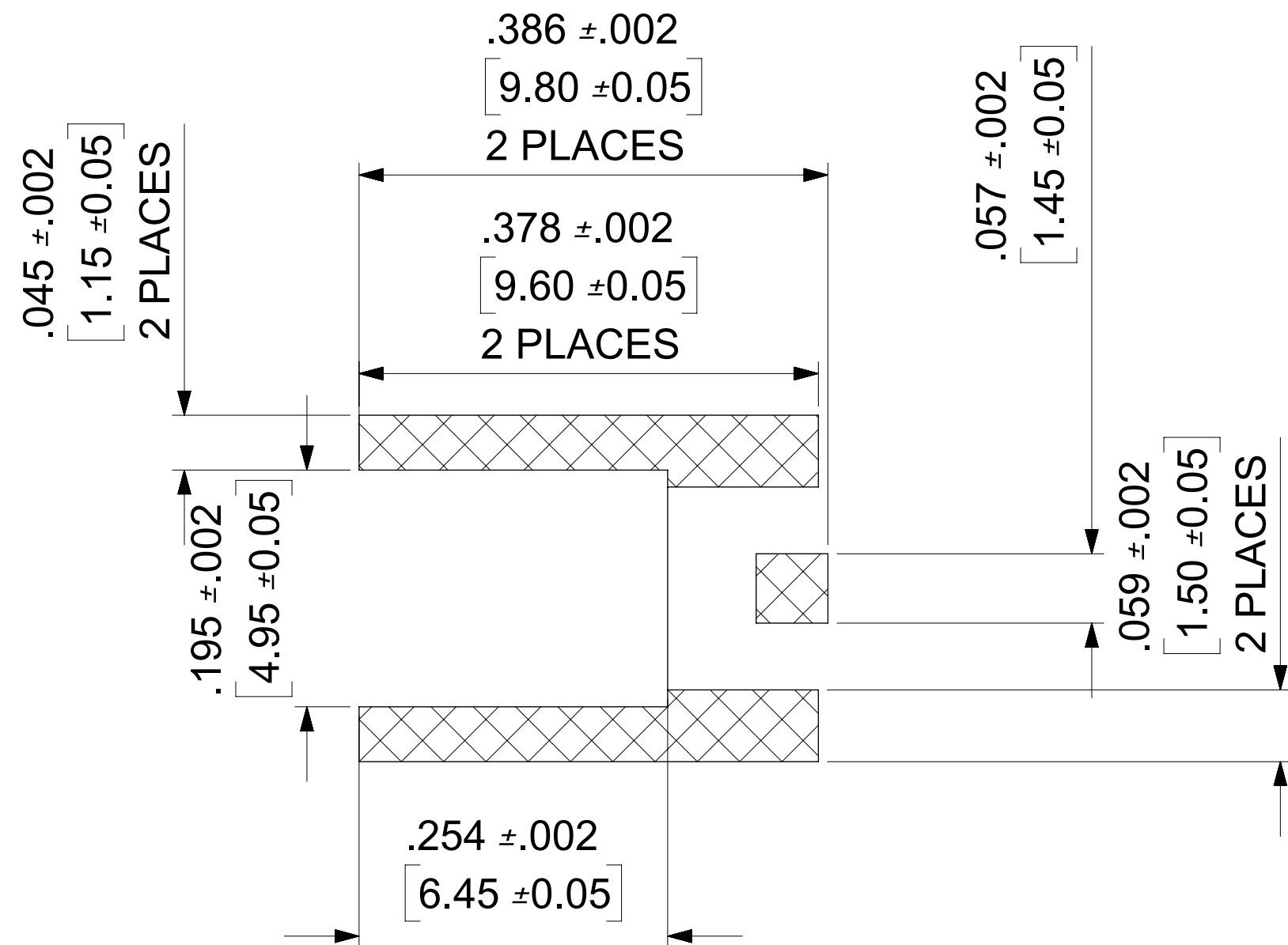
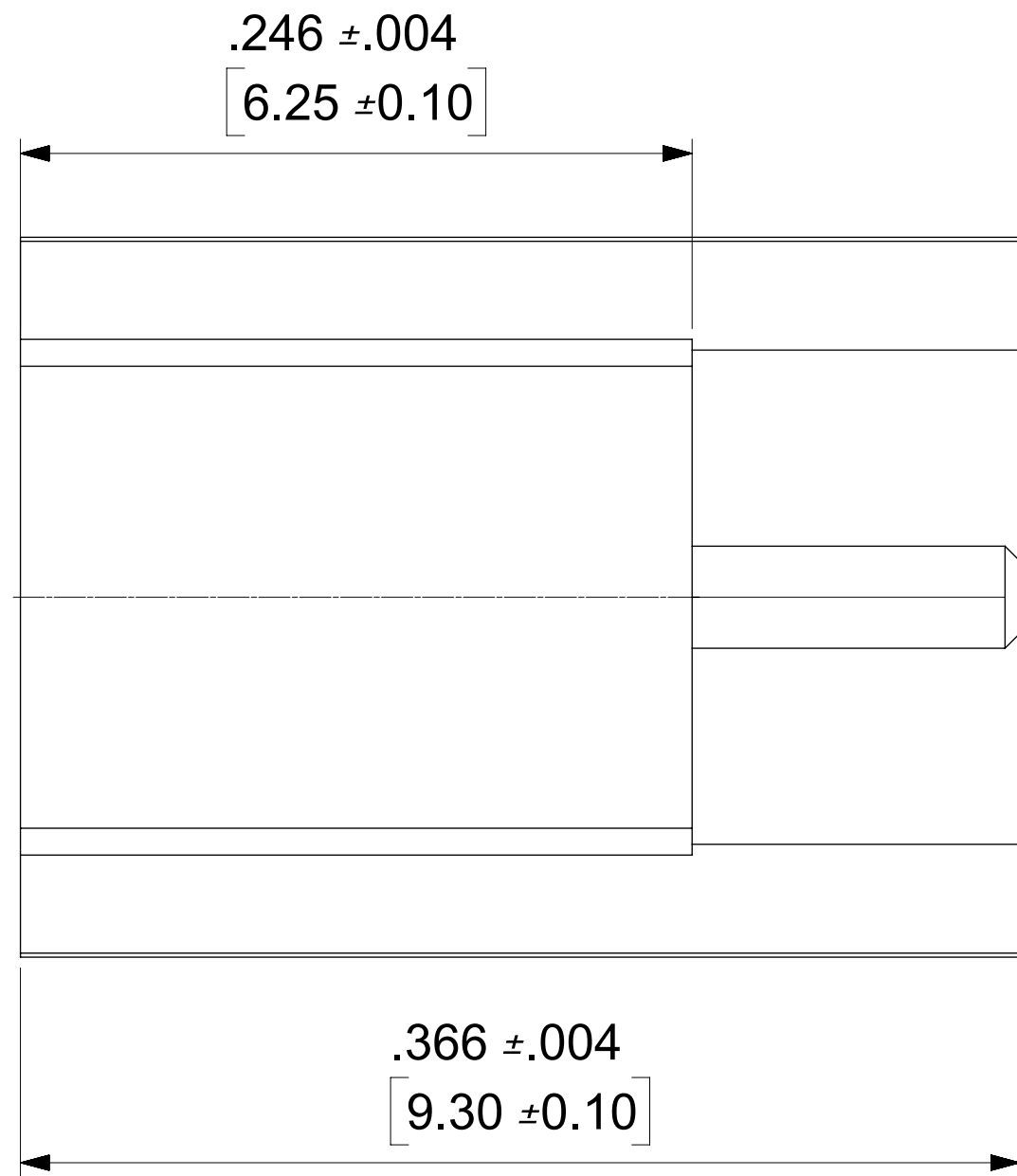
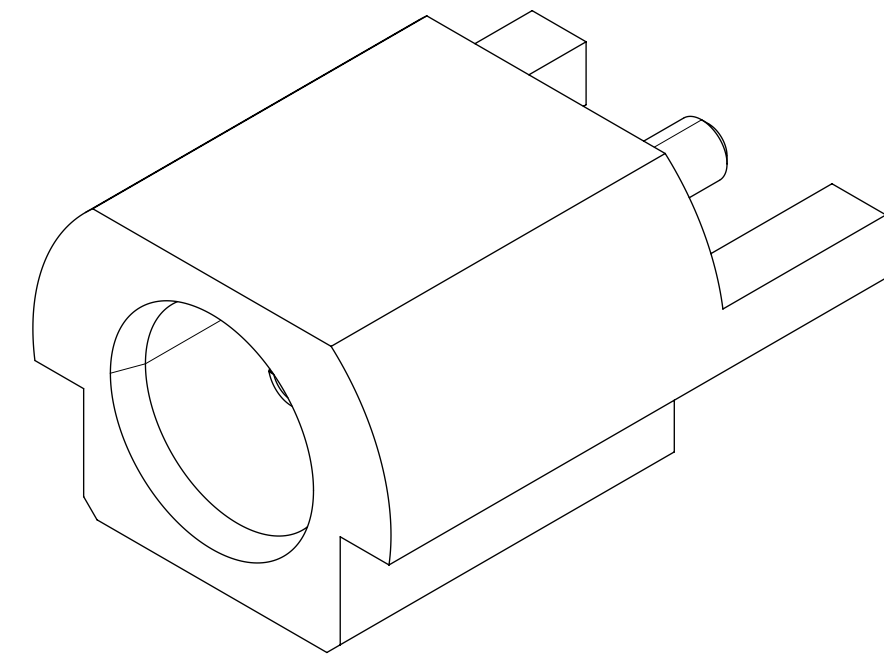
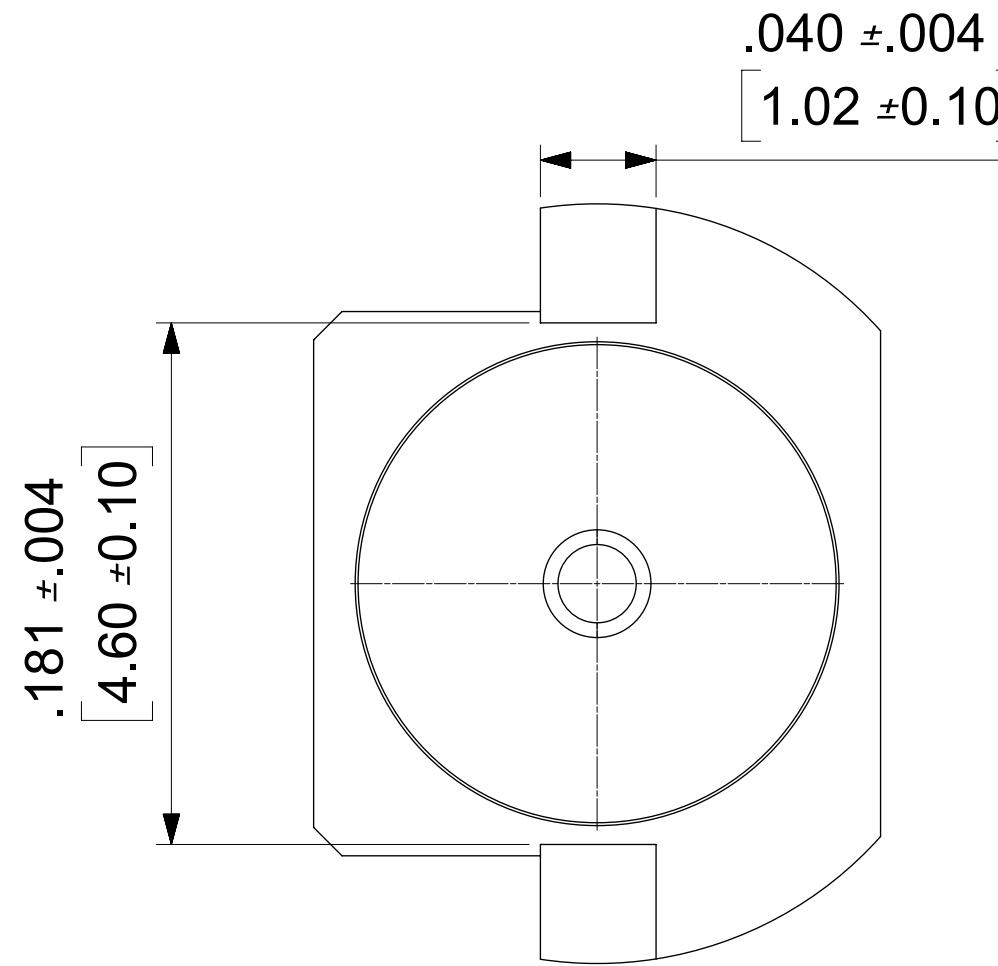
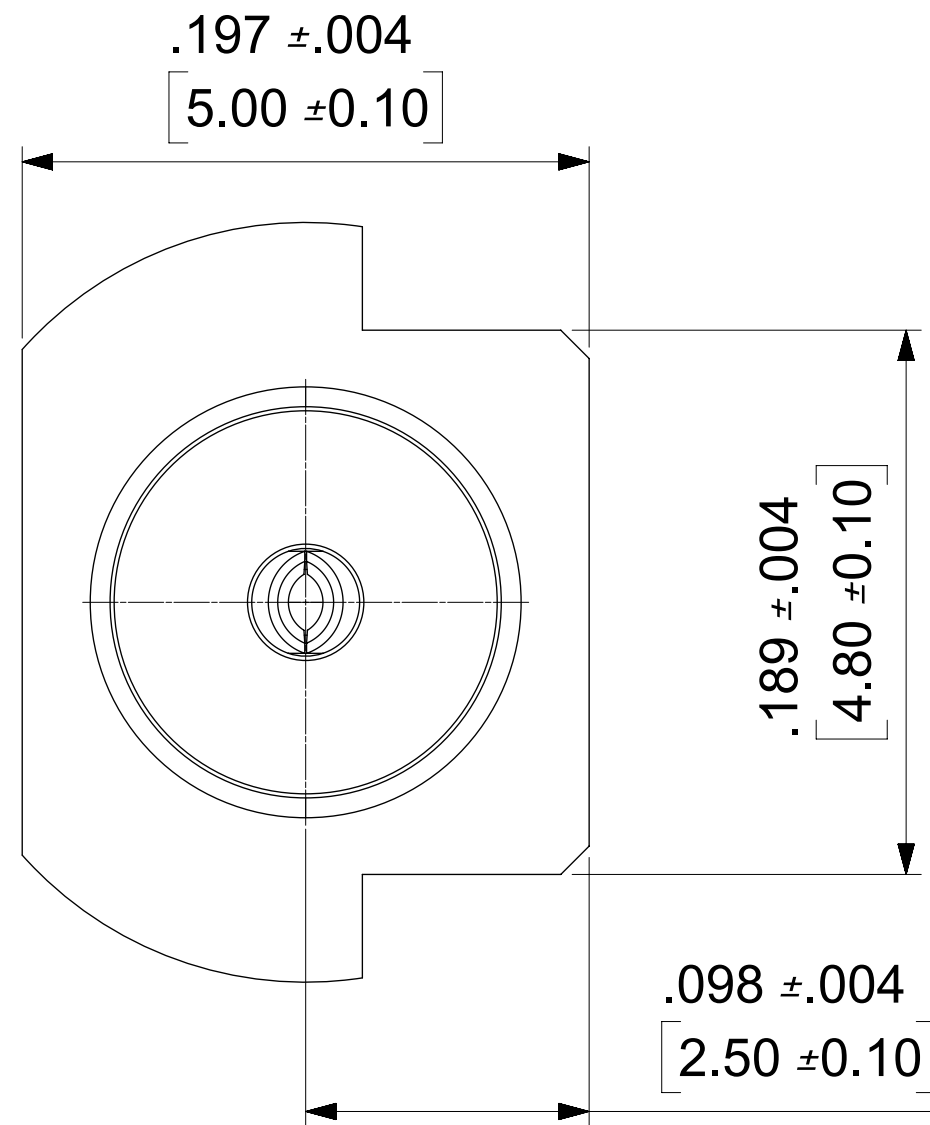


MATERIALS AND FINISHES:

BODY BRASS
PLATED GOLD

CONTACT BERYLIUM COPPER
PLATED GOLD

INSULATOR TEFLON

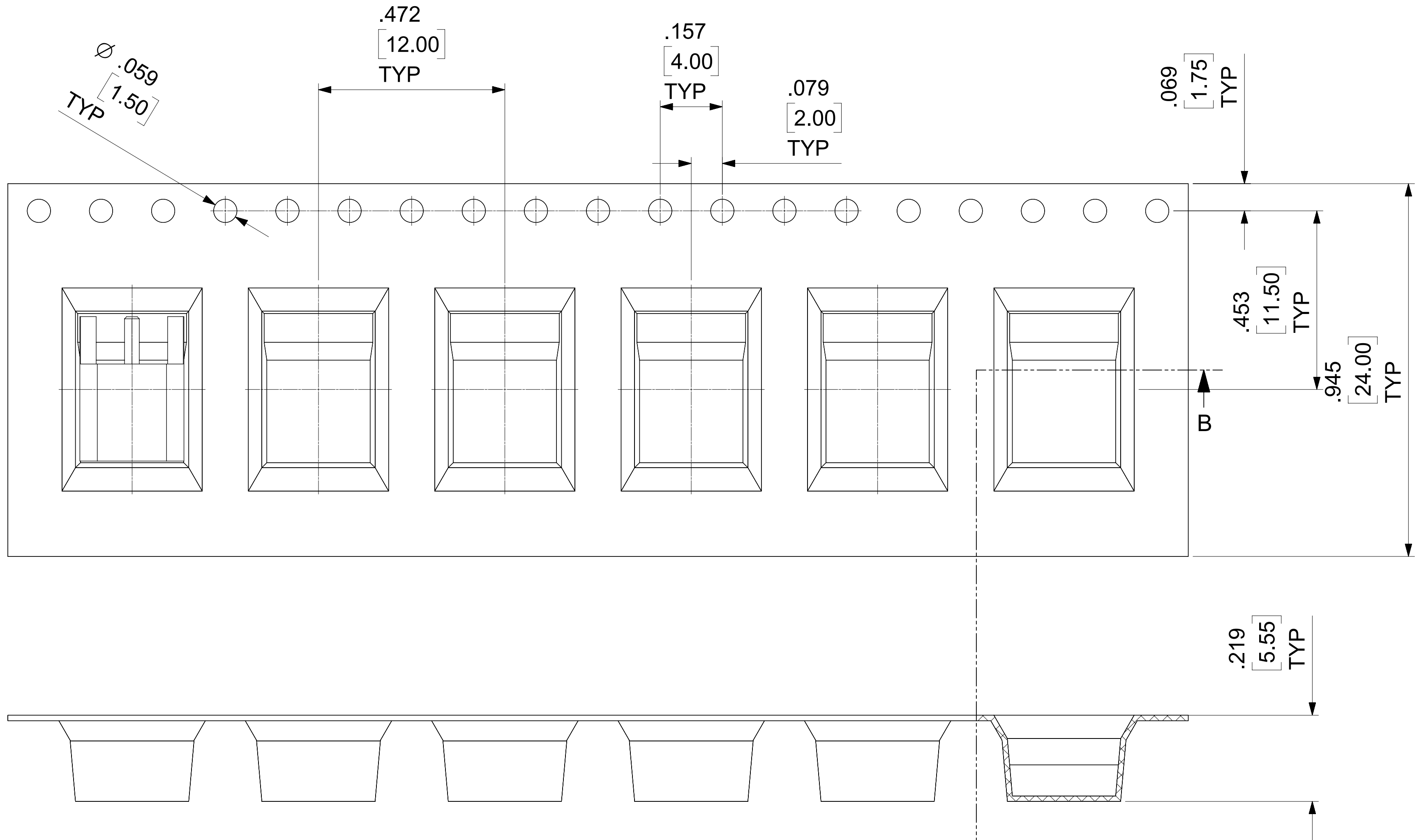


PS-73598-0300	PRODUCT SPECIFICATION
ES-73599-0000-0180	INTERFACE
SEPCIFICATION	DESCRIPTION

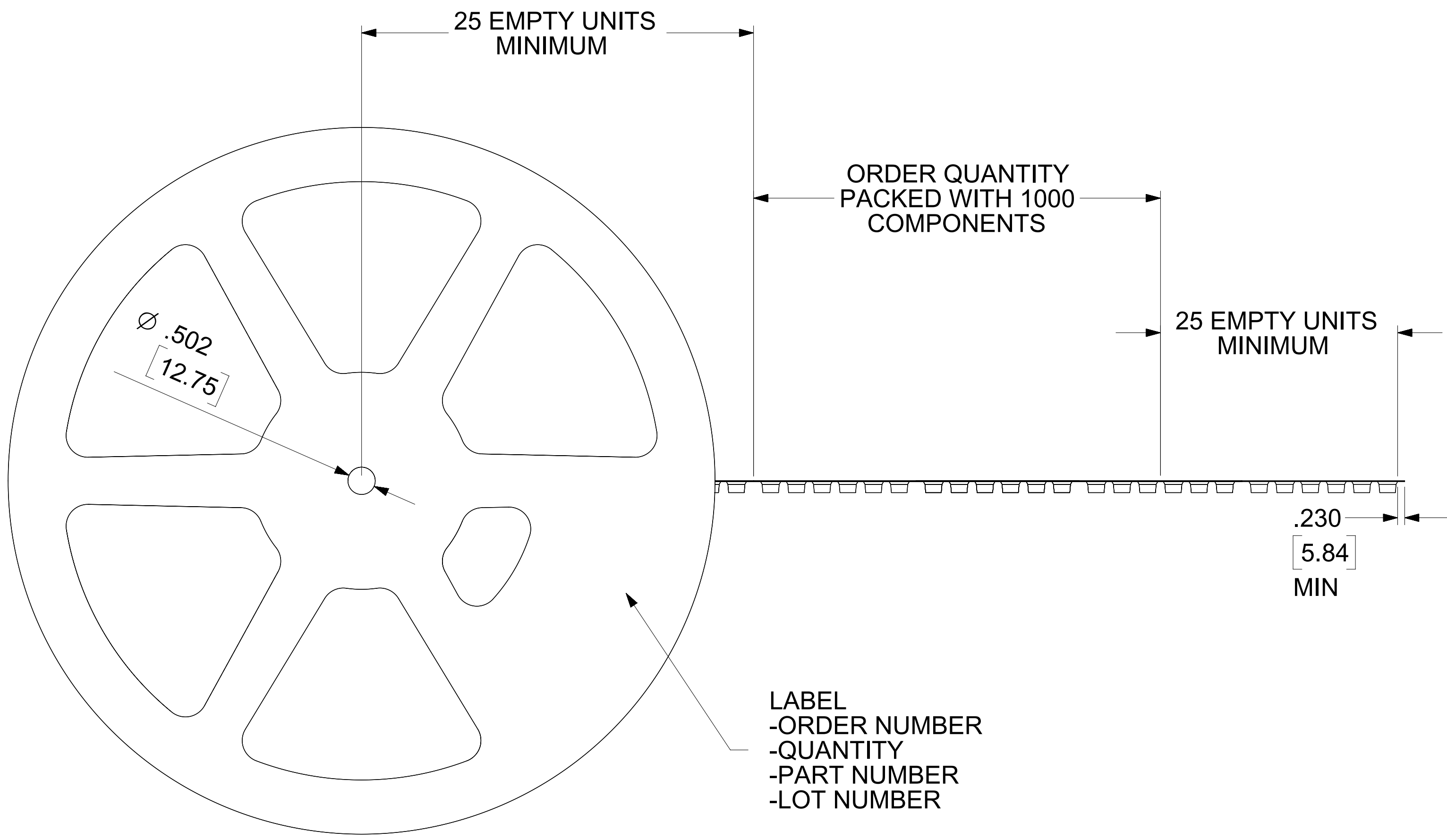
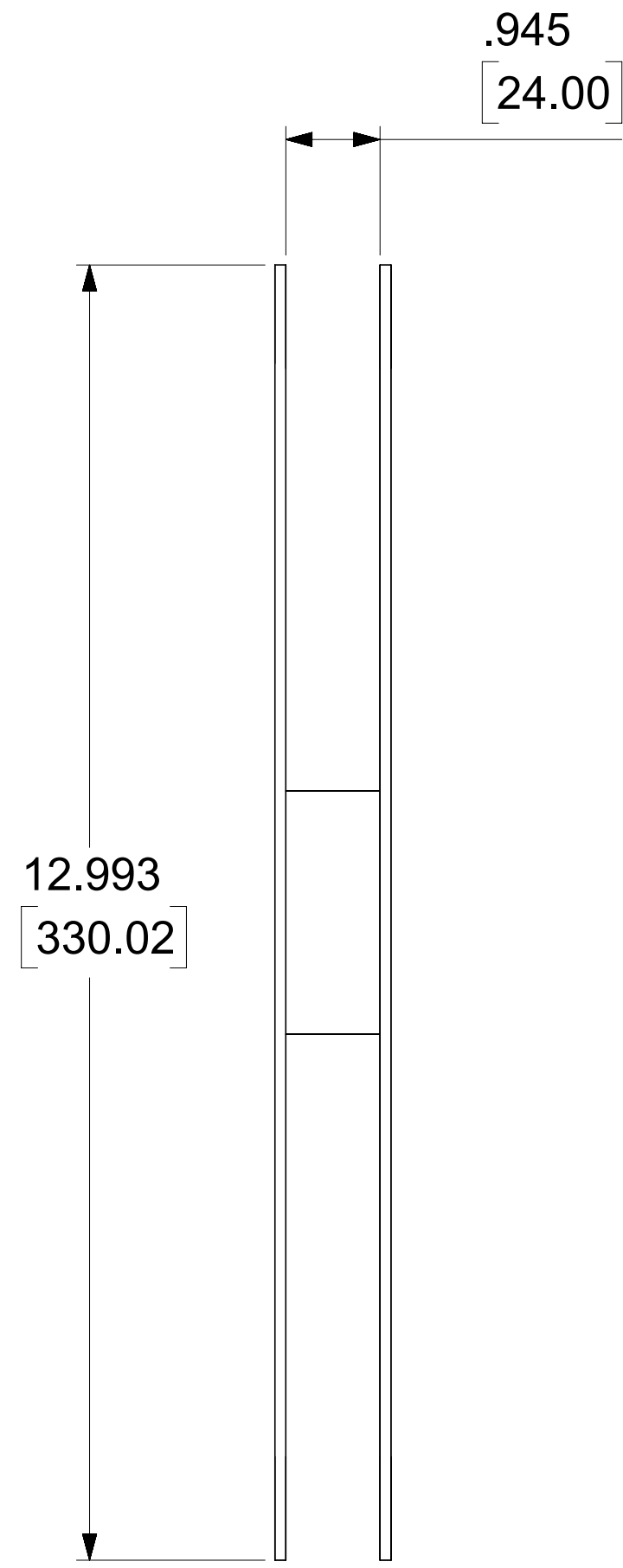
73366-0381	PKG : 1000 PCS BY T&R
73366-0380	PKG : 80 PCS BY TRAY
PART NO	DESCRIPTION

A2	ADDING TAPE AND REEL PACKAGE -0381
REVERSION	DESCRIPTION

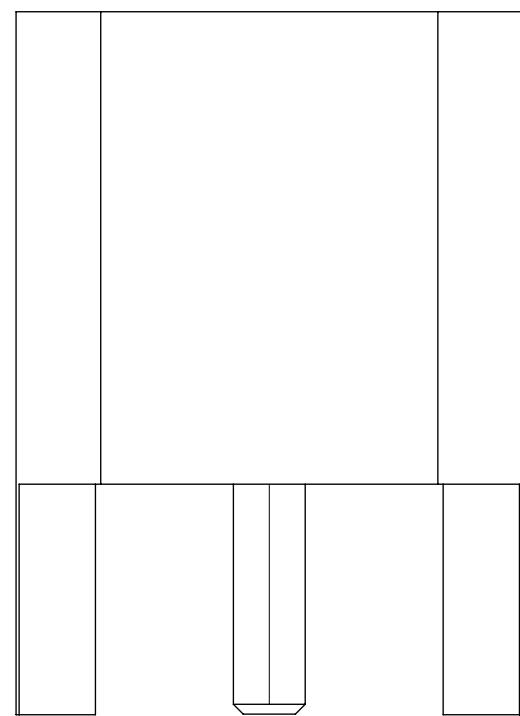
QUALITY SYMBOLS ▽ = 0 ▽ = 0 ▽ = 0 ▽ = 0 ▽ = 0 ▽ = 0 ▽ = 0 ▽ = 0 ▽ = 0	THIS DRAWING CONTAINS INFORMATION THAT IS PROPRIETARY TO MOLEX ELECTRONIC TECHNOLOGIES, LLC AND SHOULD NOT BE USED WITHOUT WRITTEN PERMISSION		DIMENSION UNITS MM		SCALE ELIN				
	GENERAL TOLERANCES (UNLESS SPECIFIED) ANGULAR TOL ± °		DRWN BY ELIN		DATE 2013/12/06				
EC NO: 110889 DRWN: SH001 REV: A2		2016/10/03 2016/12/13 CHKD: YCHENG APPR: YCHENG		4 PLACES ± 3 PLACES ± 2 PLACES ± 1 PLACE ± 0 PLACES ±		CHKD BY DATE		PRODUCT CUSTOMER DRAWING SERIES: 73366 MATERIAL NUMBER: 733660380 CUSTOMER: GENERAL MARKET	
DRAFT WHERE APPLICABLE MUST REMAIN WITHIN DIMENSIONS		DRAWING SIZE C		THIRD ANGLE PROJECTION		DOCUMENT NUMBER: SD-73366-038 DOC TYPE: PSD DOC PART: 000 SHEET NUMBER: 1 OF 4			



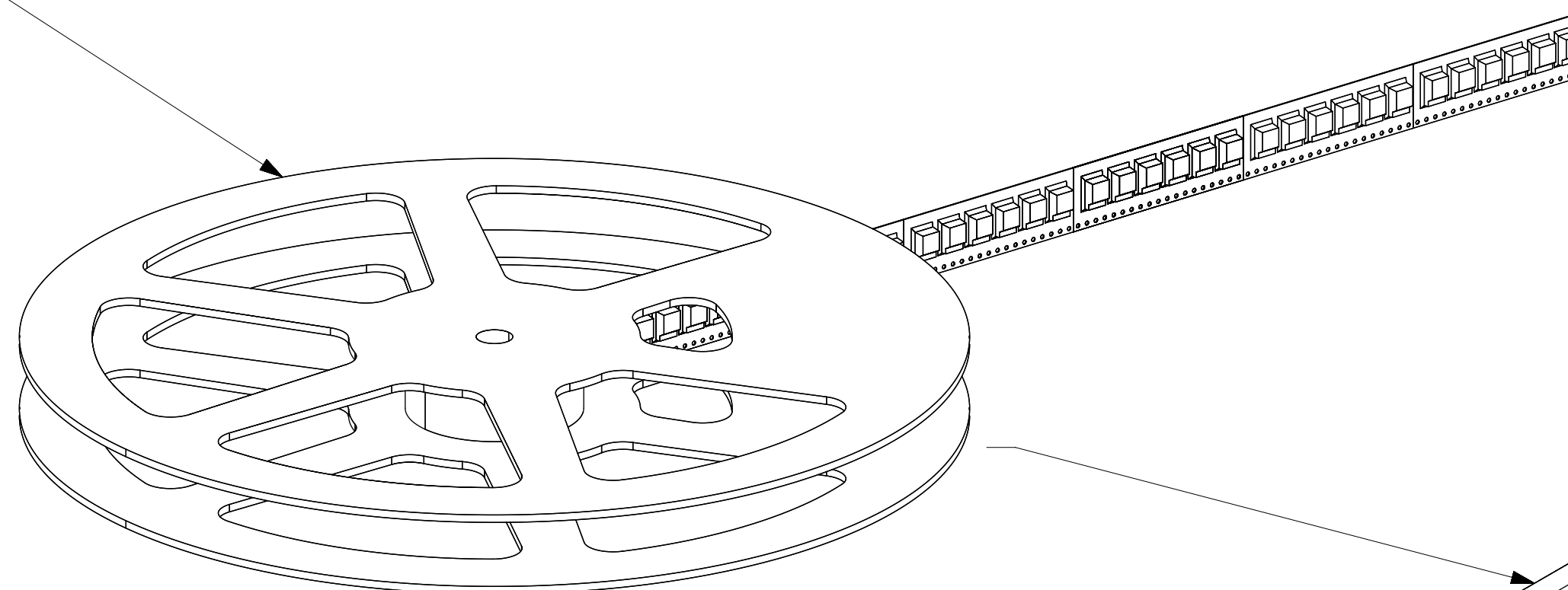
QUALITY SYMBOLS 	THIS DRAWING CONTAINS INFORMATION THAT IS PROPRIETARY TO MOLEX ELECTRONIC TECHNOLOGIES, LLC AND SHOULD NOT BE USED WITHOUT WRITTEN PERMISSION										
	EC NO: 110889 DRWN: SH001 CHKD: REV: APPR: YCHENG	GENERAL TOLERANCES (UNLESS SPECIFIED) ANGULAR TOL ± °			DIMENSION UNITS MM	SCALE 1:1					
		4 PLACES ±	ELIN	DATE 2013/12/06							
		3 PLACES ±	CHKD BY	DATE							
		2 PLACES ±	APPR BY	DATE							
		1 PLACE ±	DRAWING SIZE C	THIRD ANGLE PROJECTION 							
	0 PLACES ±	DRAFT WHERE APPLICABLE MUST REMAIN WITHIN DIMENSIONS		SERIES 73366	MATERIAL NUMBER	CUSTOMER GENERAL MARKET					
	A2	DOCUMENT NUMBER SD-73366-038	DOC TYPE PSD	DOC PART 000	SHEET NUMBER 2 OF 4						



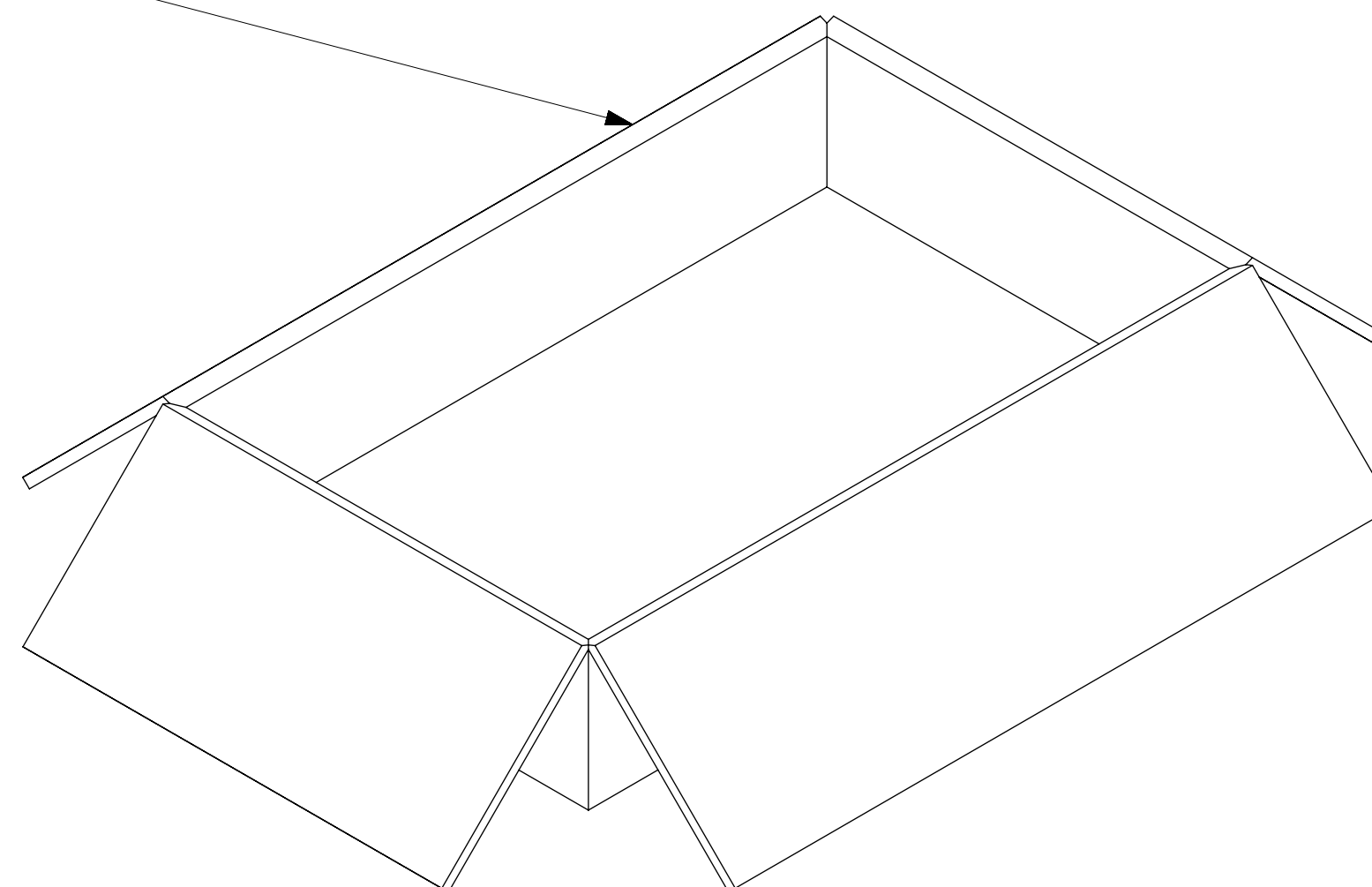
QUALITY SYMBOLS		THIS DRAWING CONTAINS INFORMATION THAT IS PROPRIETARY TO MOLEX ELECTRONIC TECHNOLOGIES, LLC AND SHOULD NOT BE USED WITHOUT WRITTEN PERMISSION									
▽ = 0	2016/10/03	GENERAL TOLERANCES (UNLESS SPECIFIED)		DIMENSION UNITS		SCALE					
▽ = 0	2016/12/13	ANGULAR TOL ± °		MM		1:5					
▽ = 0	EC NO: 110889 DRWN: SH001 CHKD: APPR: YCHENG	4 PLACES ±	ELIN		DATE		MCX, 75 OHM EDGE MOUNT PCB TYPE MCX-J/PCB				
▽ = 0		3 PLACES ±	CHKD BY		DATE						
▽ = 0		2 PLACES ±	APPR BY		DATE						
▽ = 0		1 PLACE ±	DRAWING SIZE		THIRD ANGLE PROJECTION						
▽ = 0		0 PLACES ±	C								
☒ = 0	DRAFT WHERE APPLICABLE MUST REMAIN WITHIN DIMENSIONS		73366		SERIES		MATERIAL NUMBER		CUSTOMER		
■ = 0	A2		SD-73366-038		73366		GENERAL MARKET		GENERAL MARKET		
▽ = 0	A2		PSD		DOC TYPE		DOC PART		SHEET NUMBER		
RELEASE STATUS		RELEASE DATE		SD-73366-038		000		3 OF 4			



73366-0380



1000 PCS IN T & R



4000 PCS IN BOX

PN 733660381

QUALITY SYMBOLS 	THIS DRAWING CONTAINS INFORMATION THAT IS PROPRIETARY TO MOLEX ELECTRONIC TECHNOLOGIES, LLC AND SHOULD NOT BE USED WITHOUT WRITTEN PERMISSION													
	EC NO: 110889 DRWN: SH001 CHKD: REV / APPR: YCHENG	2016/10/03	2016/12/13	GENERAL TOLERANCES (UNLESS SPECIFIED)		DIMENSION UNITS	SCALE							
				ANGULAR TOL ± °		MM	1:1							
		4 PLACES	±	ELIN		DRWN BY	DATE	MCX, 75 OHM EDGE MOUNT PCB TYPE MCX-J/PCB						
		3 PLACES	±	2013/12/06		CHK'D BY	DATE							
		2 PLACES	±	APPR BY		DATE								
	1 PLACE	±	DRAWING SIZE		THIRD ANGLE PROJECTION		PRODUCT CUSTOMER DRAWING		SERIES		CUSTOMER			
	0 PLACES	±	C				73366		GENERAL MARKET		MATERIAL NUMBER			
	DRAFT WHERE APPLICABLE MUST REMAIN WITHIN DIMENSIONS		A2		C		DOCUMENT NUMBER		PSD		DOC PART		SHEET NUMBER	
							SD-73366-038		000		4 OF 4			