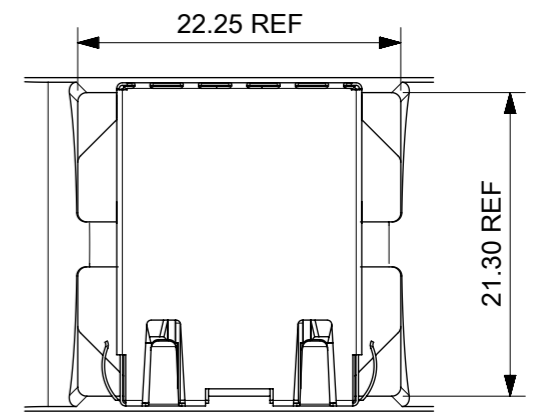
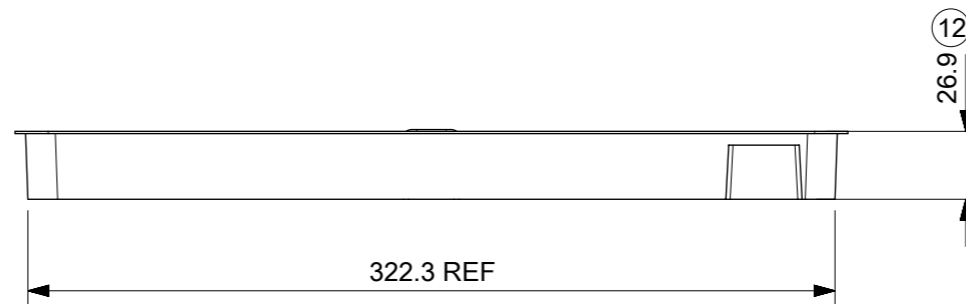
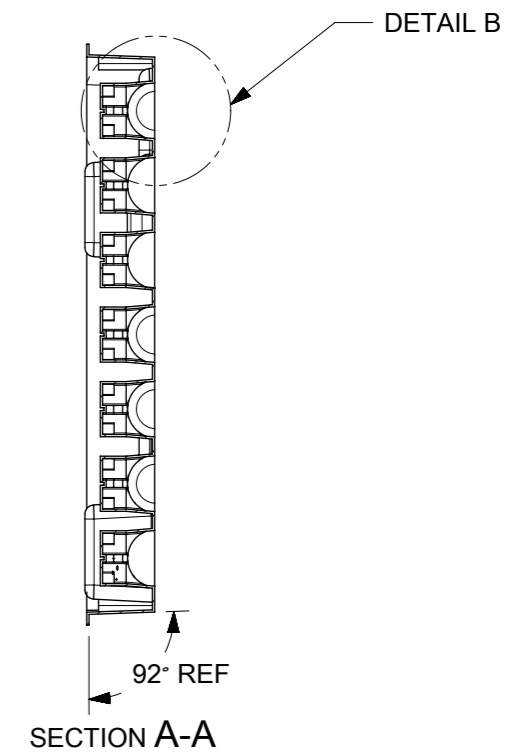
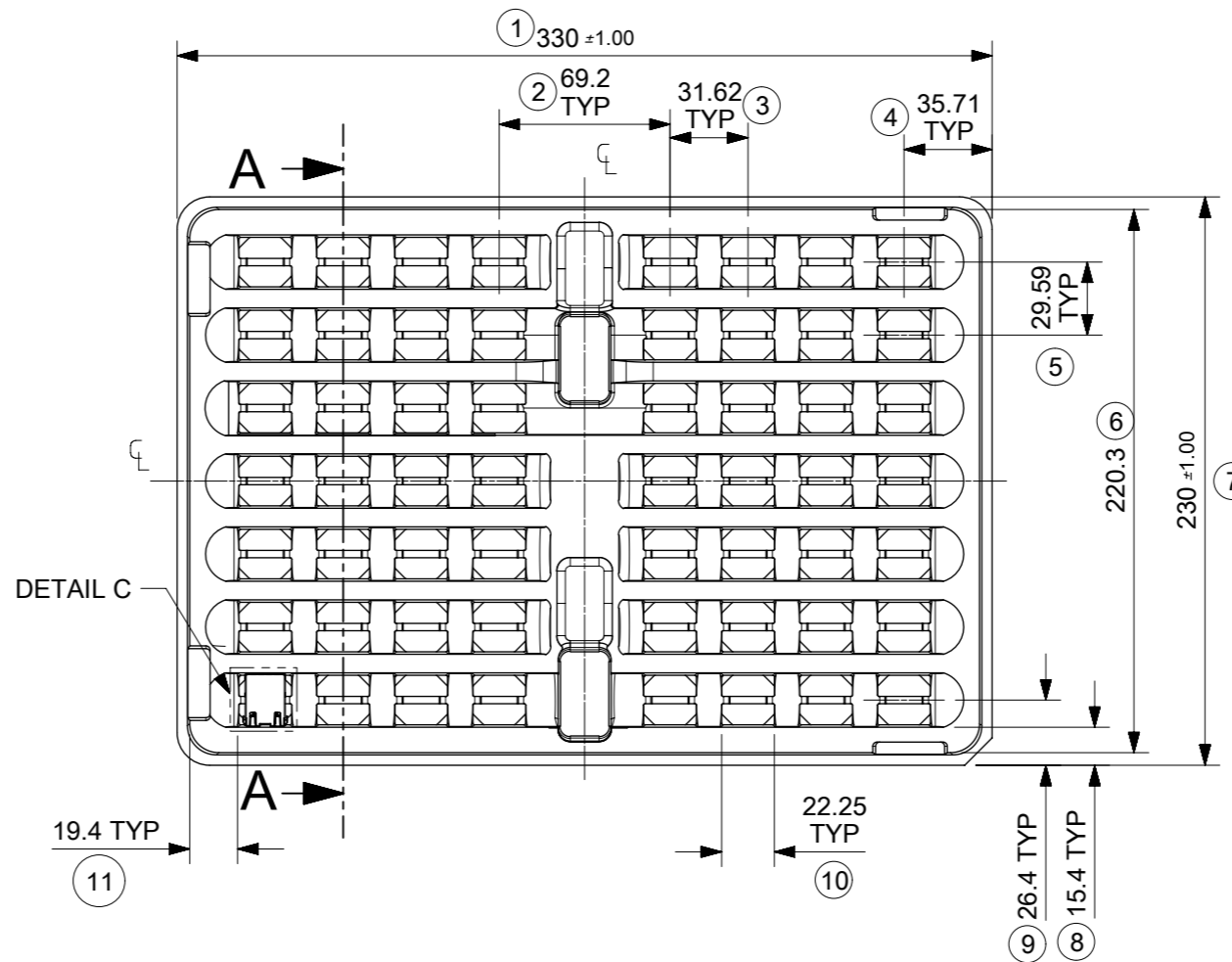


DETAIL B



DETAIL C  
SCALE 2:1



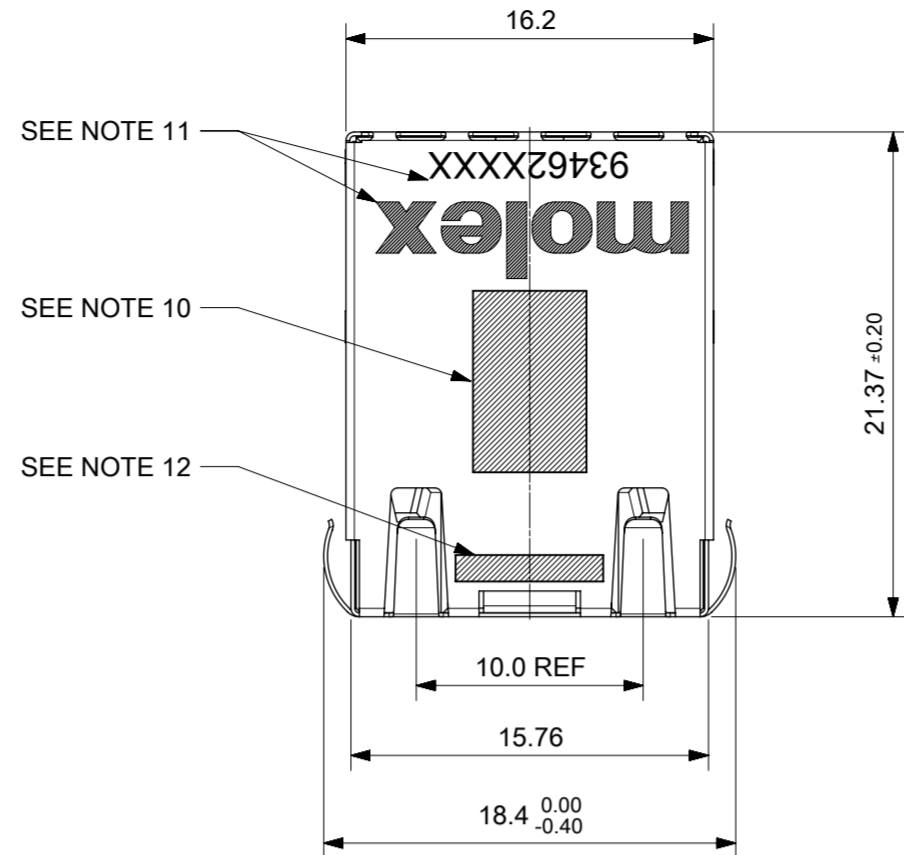
NOTES:

1. MATERIAL: PETA ANTISTATIC
2. THICKNESS: 0.9 mm ± 0.05 mm
3. COLOUR: CLEAR
4. BOW 2 mm MAXIMUM PER 330 mm
5. TWIST 2 mm MAXIMUM PER 330 mm
6. TRAY PART NO. AND RECYCLE LOGO TO BE CLEARLY MARKED ON TRAY  
RECYCLE LOGO SHOULD BE APPROPRIATE TO MATERIAL USED
7. WHERE RELEVANT, DIMENSIONS SHOULD BE SYMMETRICAL ABOUT THE CENTRELINE
8. GENERAL PROFILE TOLERANCE  $\overline{\cup}$  0.40 ON NON DIMENSIONED FEATURES

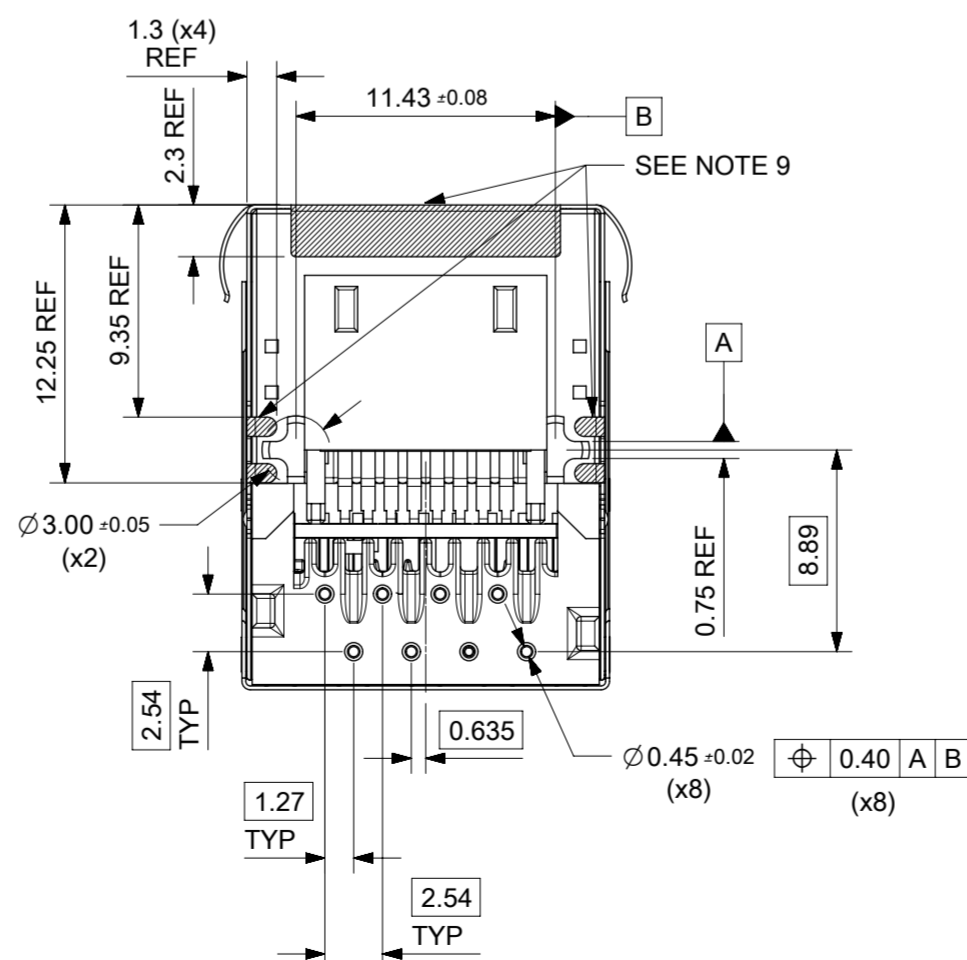
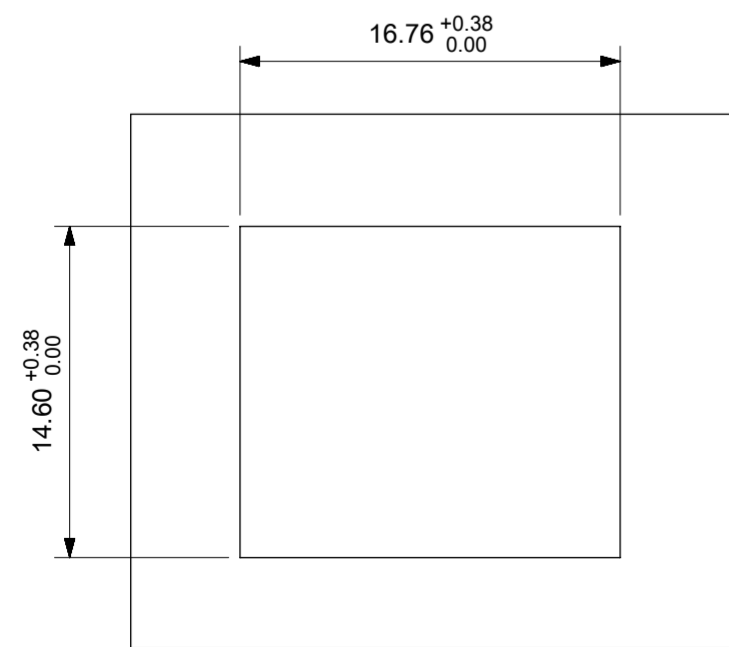
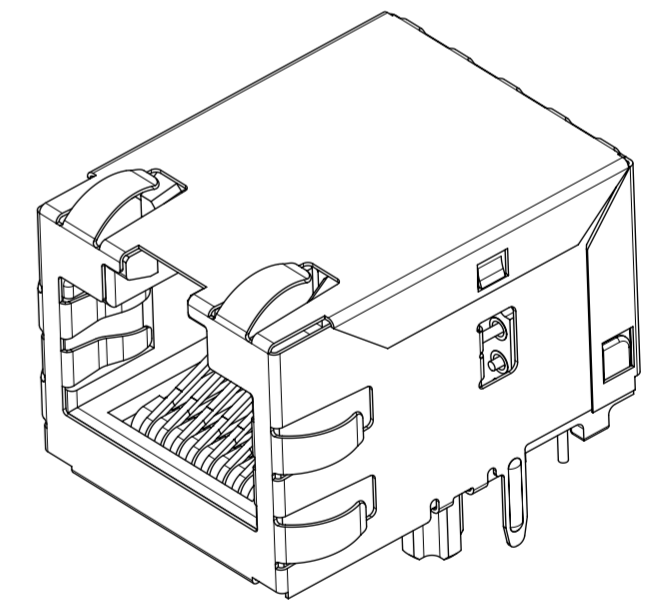
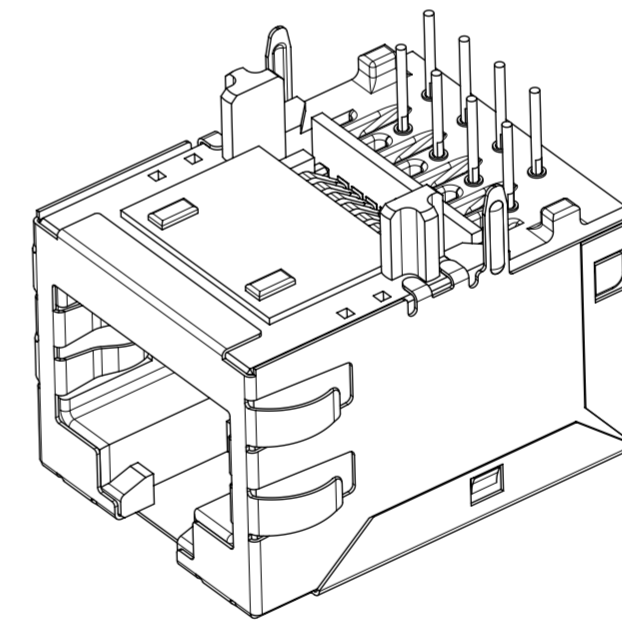
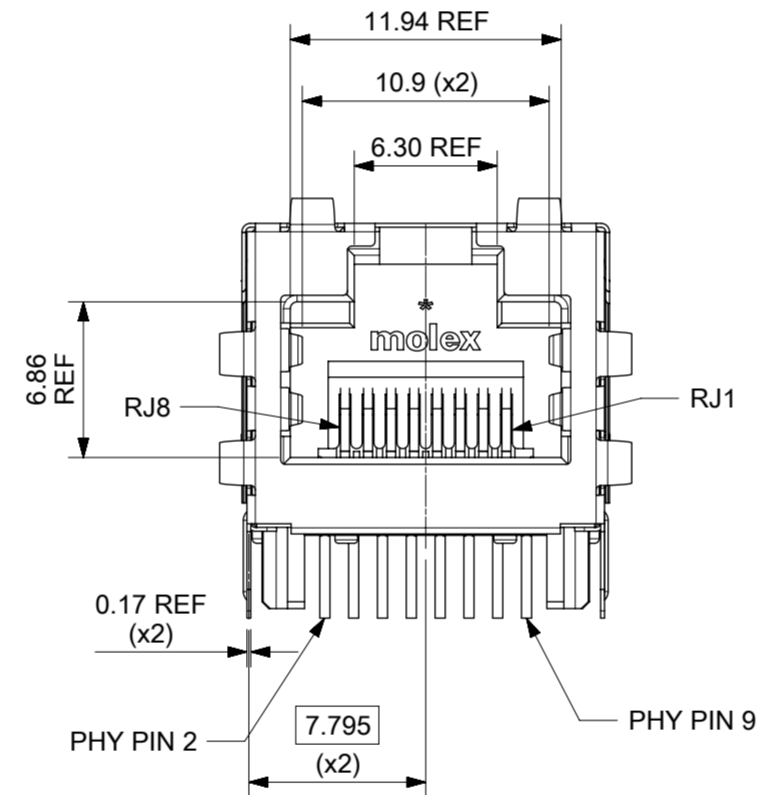
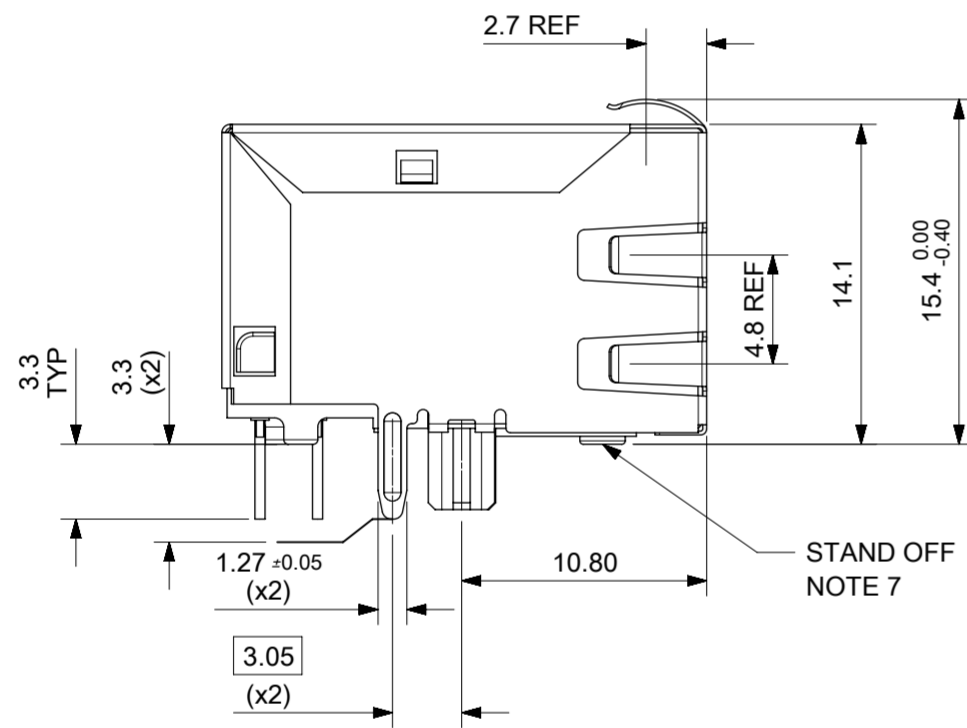
LAST INSPECTION NUMBER USED: 12

THIS DRAWING CONTAINS INFORMATION THAT IS PROPRIETARY TO MOLEX ELECTRONIC TECHNOLOGIES, LLC AND SHOULD NOT BE USED WITHOUT WRITTEN PERMISSION									
DIMENSION UNITS		SCALE		CURRENT REV DESC: REMOVED REFERENCE TO QUANTITY OF TRAYS PER STACK				<b>molex</b>	
mm		1:3							
GENERAL TOLERANCES (UNLESS SPECIFIED)				EC NO: 602124				MXMAG STANDARD AND INVERTED TRAY	
ANGULAR TOL ± 1.0°				DRWN: DSHEA 2018/09/07					
4 PLACES ±				CHK'D: DBYRNES 2019/01/25					
3 PLACES ±				APPR: DBYRNES 2019/01/25					
2 PLACES ± 0.2				INITIAL REVISION:				PRODUCT CUSTOMER DRAWING	
1 PLACE ± 0.5				DRWN: KREILLY 2016/05/06				DOCUMENT NUMBER	
0 PLACES ±				APPR: STGRIFFIN 2016/12/07				934620003	
DRAFT WHERE APPLICABLE MUST REMAIN WITHIN DIMENSIONS		THIRD ANGLE PROJECTION		DRAWING		SERIES		MATERIAL NUMBER	
				A3-SIZE		93462		990250150	
				CUSTOMER		GENERAL MARKET		SHEET NUMBER	
								1 OF 1	

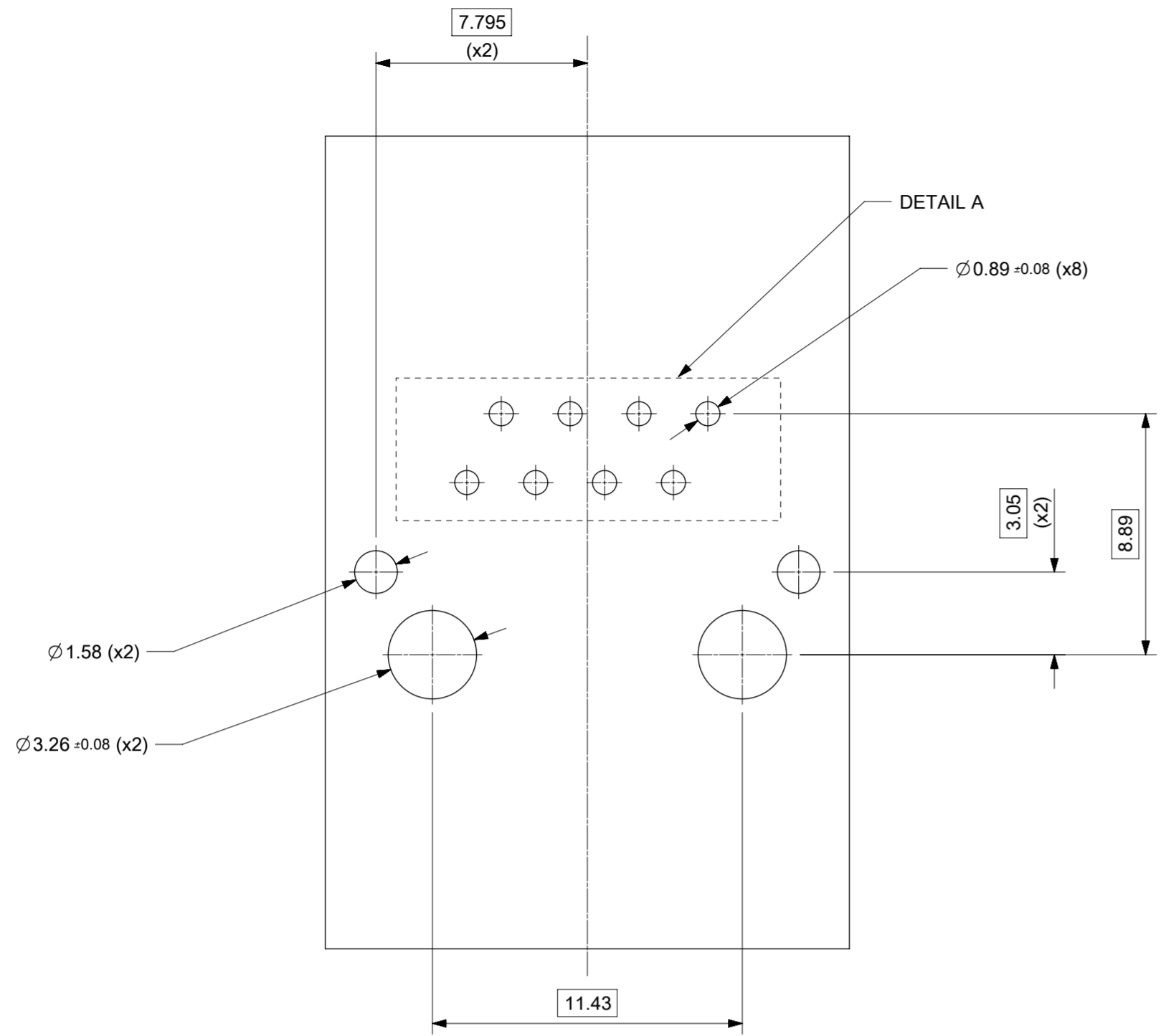
INVERTED PROFILE MAGNETIC JACK  
FAST ETHERNET W/SHIELD TABS



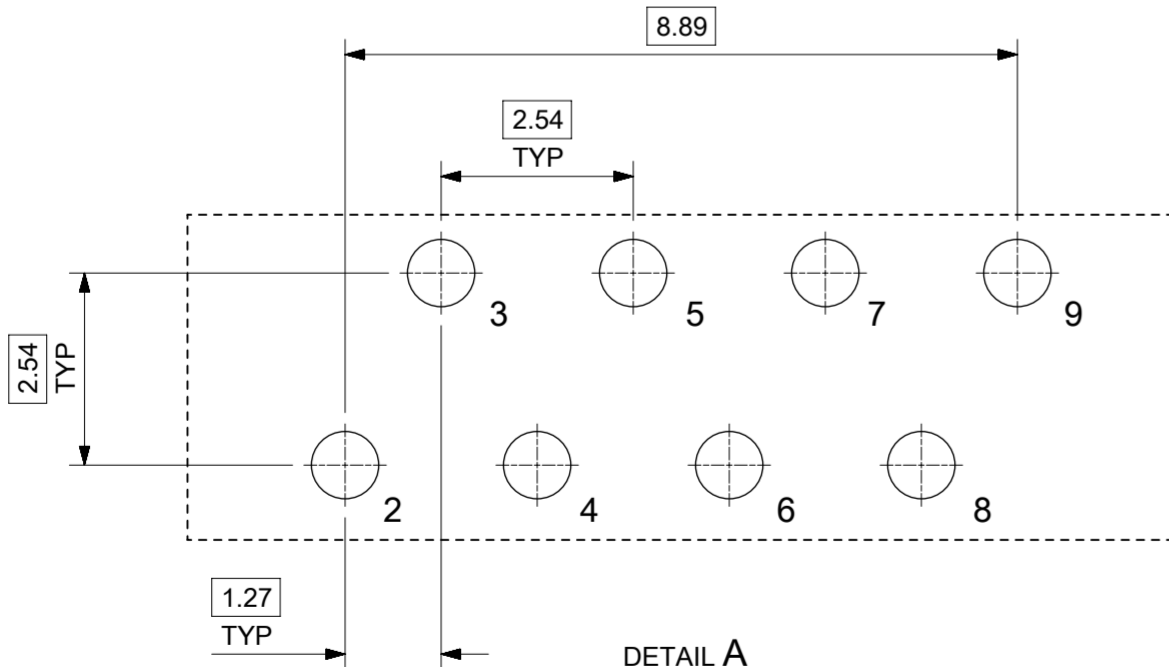
- NOTES:
- SHIELD MATERIAL: 0.17 mm THICK BRASS PRE-PLATED WITH NICKEL  
SOLDER TABS POST DIPPED WITH MIN 1.27 μm TIN
  - HOUSING MATERIAL: LCP, BLACK, UL 94V-0
  - TERMINALS MATERIAL: PHOSPHOR BRONZE  
RJ45 CONTACTS PLATING: BASE NICKEL PLATED WITH GOLD  
FLASH OVER PALLADIUM NICKEL. REFER TO 934620001 PSP  
PHY SOLDER TAILS: COPPER ALLOY
  - MATING INTERFACE ACCORDING TO IEC 60603-7 & TIA-1096-A
  - PRODUCT SPECIFICATION: 934620001 PSP
  - PACKAGING SPECIFICATION: 934620001 PSK - TRAY
  - STAND OFF TO SYSTEM BOARD 0.30 mm MIN
  - RECOMMENDED PCB THICKNESS: 1.57 mm
  - SHIELD: AVOID ROUTING TRACES  
OR PLACING ANY VIAS BELOW THESE AREAS
  - AREA FOR PICK AND PLACE: 5.0 mm X 8.0 mm
  - INSCRIPTION MARKED BY LASER:  
1st : MOLEX  
2nd : P/N (SEE BOM)
  - INSCRIPTION MARKED BY LASER:  
DATE CODE(DAY/WEEK/YEAR)
  - MATERIAL COMPLIANT TO RoHS DIRECTIVE 2002/95/EC



THIS DRAWING CONTAINS INFORMATION THAT IS PROPRIETARY TO MOLEX ELECTRONIC TECHNOLOGIES, LLC AND SHOULD NOT BE USED WITHOUT WRITTEN PERMISSION		GENERAL TOLERANCES (UNLESS SPECIFIED)		DIMENSION UNITS	SCALE	<b>molex</b> INV MX-MAG 4 CORE FE W/SHIELD TABS			
REVISIONS		ANGULAR TOL ± 2.0 °		mm	3:1				PRODUCT CUSTOMER DRAWING
EC NO: 116686	2017/05/09	DRWN: KREILLY	2017/09/12	4 PLACES ±	DRWN BY	DATE	SERIES	MATERIAL NUMBER	CUSTOMER
REV: B	2017/09/26	CHKD: DSHEA	2017/09/12	3 PLACES ±	KREILLY	2015/09/28	93462	SEE TABLE ON SHEET 2	GENERAL MARKET
		APPR: DSHEA		2 PLACES ± 0.1	CHK'D BY	DATE	DOCUMENT NUMBER		
				1 PLACE ± 0.2	DSHEA	2017/09/12	934620004		
				0 PLACES ±	APPR BY	DATE	DOC TYPE	DOC PART	SHEET NUMBER
				DRAFT WHERE APPLICABLE MUST REMAIN WITHIN DIMENSIONS	STGRIFFIN	2015/11/19	PSD	000	1 OF 3
					DRAWING SIZE	THIRD ANGLE PROJECTION			
					A2				



SUGGESTED BOARD LAYOUT  
FAST ETHERNET VERSION  
COMPONENT SIDE  
ALL DIMS REFERENCE DIMS



DETAIL A  
SCALE 10:1

PIN CONFIGURATION  
FOR FAST ETHERNET VERSION

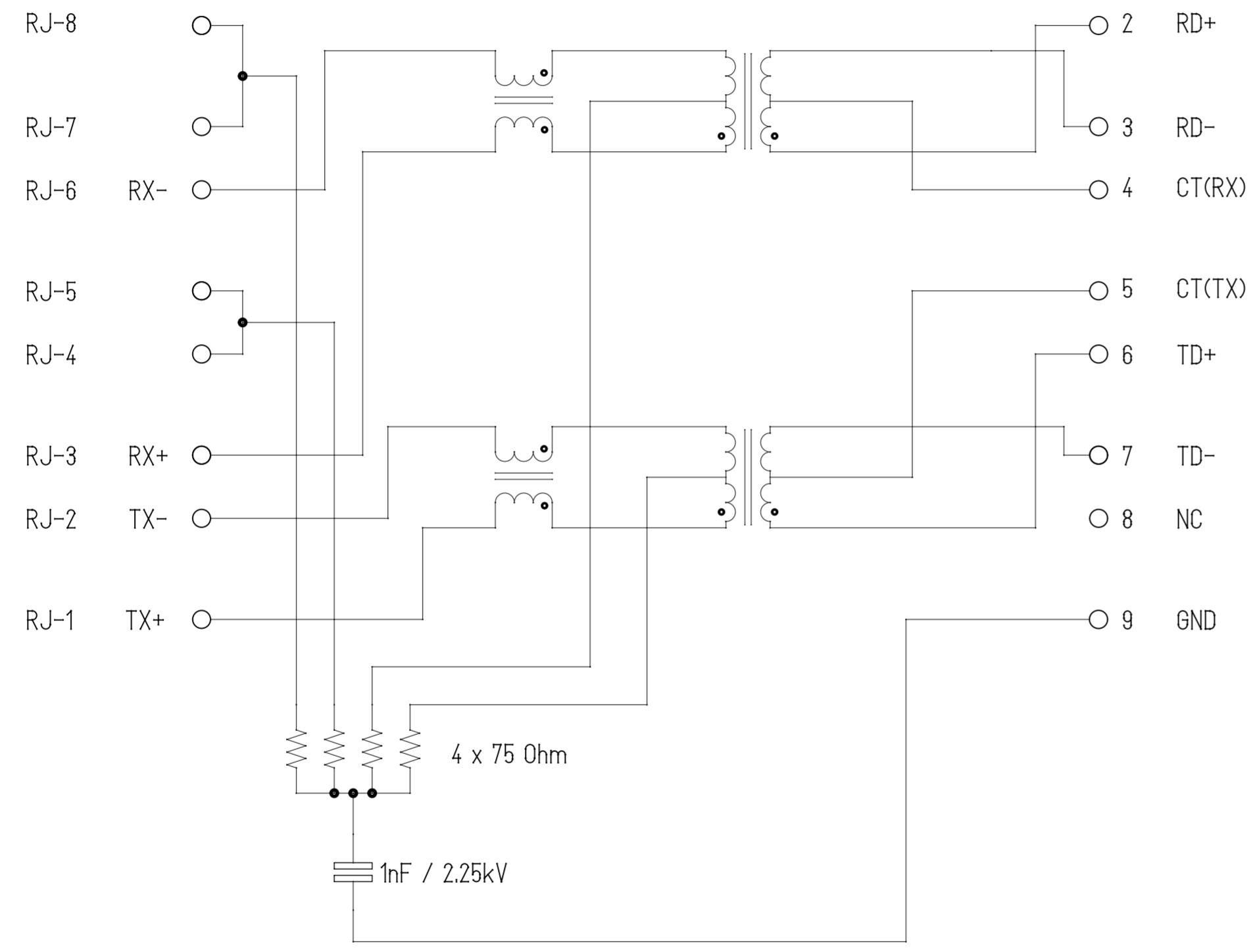
PART NUMBER	LEFT LED	RIGHT LED
93462-8320	N/A	N/A

THIS DRAWING CONTAINS INFORMATION THAT IS PROPRIETARY TO MOLEX ELECTRONIC TECHNOLOGIES, LLC AND SHOULD NOT BE USED WITHOUT WRITTEN PERMISSION												
REVISED	EC NO: 116686	2017/05/09	GENERAL TOLERANCES (UNLESS SPECIFIED)	DIMENSION UNITS	SCALE	<b>molex</b> INV MX-MAG 4 CORE FE W/SHIELD TABS						
	DRWN: KREILLY	2017/09/12	ANGULAR TOL ± 2.0 °	mm	5:1							
	CHKD: DSHEA	2017/09/26	4 PLACES ±	DRWN BY	DATE	KREILLY 2015/09/28						
	APP: DBYRNES		3 PLACES ±	CHK'D BY	DATE	DSHEA 2017/09/12						
			2 PLACES ± 0.1	APPR BY	DATE	STGRIFFIN 2015/11/19						
		1 PLACE ± 0.2	DRAWING SIZE	THIRD ANGLE PROJECTION	PRODUCT CUSTOMER DRAWING							
		0 PLACES ±	A2		SERIES	MATERIAL NUMBER	CUSTOMER					
		DRAFT WHERE APPLICABLE MUST REMAIN WITHIN DIMENSIONS			93462	SEE TABLE	GENERAL MARKET					
					DOCUMENT NUMBER	DOC TYPE	DOC PART	SHEET NUMBER				
					934620004	PSD	000	2 OF 3				

Description	Value	
OCL @100 kHz, 0.1 V 8 mA DC bias (-40°C to +85°C)	350 μH min.	
Turns ratio	1CT:1CT	
Transmission characteristics @ 25°C, all four pairs		
Insertion Loss		
Frequency f, (MHz)	Limits (dB max.)	Typical Values (dB max.)
1.0-9.9	0.4+0.1*log(f)	0.5 @ 10 MHz
10-49.9	0.5+0.3*log(f/10)	0.7 @ 50 MHz
50-79.9	1+1.4*log(f/80)	1.0 @ 80 MHz
80-100	1.3+3*log(f/100)	1.3 @ 100 MHz
Return Loss		
Frequency f, (MHz)	Limits (dB min.)	Typical Values (dB min.)
1.0-39.9	18	18 @ 40 MHz
40-100	12-20*log(f/80)	10 @ 100 MHz
CMR		
Frequency f, (MHz)	Limits (dB min.)	Typical Values (dB min.)
1.0-100	30	30 @ 100 MHz
Next		
Frequency f, (MHz)	Limits (dB min.)	Typical Values (dB min.)
1.0-39.9	35	35 @ 40 MHz
40-100	33-20*log(f/50)	27 @ 100 MHz
Isolation PHY to wire side		
2.25 kVDC/60sec		

WIRE-SIDE / RJ-45                      ETHERNET MAGNETICS                      PHY-SIDE / PCB SIDE

RJ-45 CONTACTS



ETHERNET TERMINALS

Shield

THIS DRAWING CONTAINS INFORMATION THAT IS PROPRIETARY TO MOLEX ELECTRONIC TECHNOLOGIES, LLC AND SHOULD NOT BE USED WITHOUT WRITTEN PERMISSION

REVISED EC NO: 116686 DRWN: KREILLY CHKD: DSHEA REV APPR: DBYRNES	2017/05/09	GENERAL TOLERANCES (UNLESS SPECIFIED)	DIMENSION UNITS	SCALE		
	2017/09/12	(UNLESS SPECIFIED)	mm	1:1		
	2017/09/26	ANGULAR TOL ± 2.0 °	DRWN BY	DATE		INV MX-MAG 4 CORE FE W/SHIELD TABS
		4 PLACES ±	KREILLY	2015/09/28		
		3 PLACES ±	CHK'D BY	DATE		
	2 PLACES ± 0.1	DSHEA	2017/09/12			
	1 PLACE ± 0.2	APPR BY	DATE			
	0 PLACES ±	STGRIFFIN	2015/11/19	PRODUCT CUSTOMER DRAWING		
	DRAFT WHERE APPLICABLE MUST REMAIN WITHIN DIMENSIONS	DRAWING SIZE	THIRD ANGLE PROJECTION	SERIES	MATERIAL NUMBER	CUSTOMER
		A2		93462	SEE TABLE ON SHEET 2	GENERAL MARKET
				DOCUMENT NUMBER	DOC TYPE	DOC PART SHEET NUMBER
				934620004	PSD	000 3 OF 3