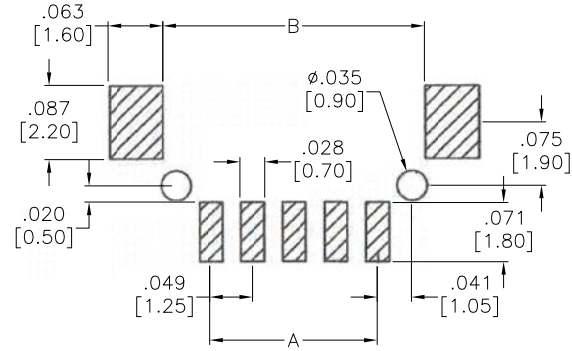
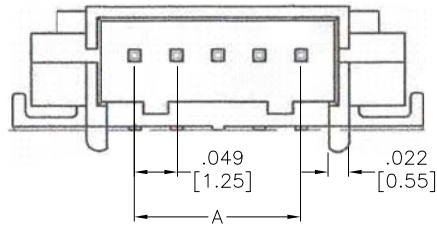
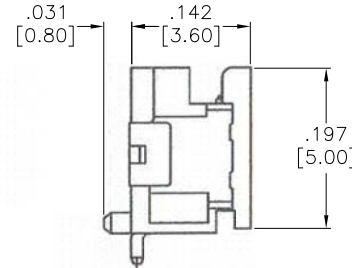
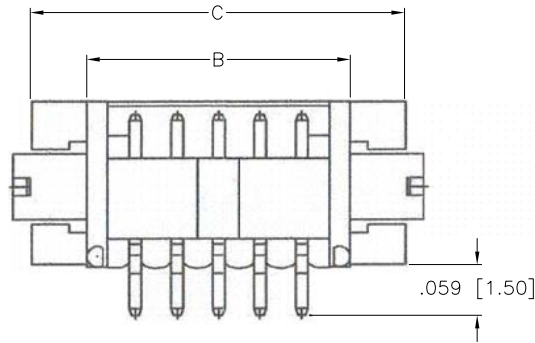


APPROVED: \_\_\_\_\_  
 DATE: \_\_\_\_\_ TITLE: \_\_\_\_\_

Rev	AWO #	Description	Date	Appr
-		RELEASED	11/5/07	
A		UPDATED DRAWING	12/18/17	HR/IC



RECOMMENDED PCB LAYOUT



**SPECIFICATIONS:**

Material:  
 Insulator: Hi-temp thermoplastic, rated UL 94V-0  
 Insulator color: Natural  
 Contacts: Phosphor Bronze, Tin plated  
 Solder Tabs: Brass, Tin plated

**Electrical:**  
 Voltage rating: 100V AC,DC  
 Current rating: 1A AC,DC  
 Contact resistance: 20 mohms max  
 Insulation resistance: 500 Mohms min  
 Withstanding voltage: 500 VAC for 1 minute  
 Temperature Rating:  
 -25°C to +85°C  
 Environmental:  
 Lead free, RoHS compliant.



PACKAGED ON TAPE & REEL

Positions: 02 thru 15  
 A = .049 [1.25] X No. of Spaces  
 B = .049 [1.25] X No. of Spaces + .114 [2.90]  
 C = .049 [1.25] X No. of Spaces + .197 [5.00]

UNLESS OTHERWISE SPECIFIED  
 ALL DIMENSIONS ARE INCHES [MM]  
 TOLERANCES: EXCEPT AS NOTED

INCHES		HOLES	
.X	± .10	Ø.X	± .10
.XX	± .020	Ø.XX	± .015
.XXX	± .015	Ø.XXX	± .010

**ADAM TECH**

909 Rahway Avenue, Union, NJ 07083  
 Phone: 908-687-5000 Fax: 908-687-5710

TITLE: .049 [1.25] PITCH WIRE TO BOARD HEADER  
 RIGHT ANGLE, SMT TYPE

APPROVALS		DATE
DRAWN	SS	11/5/07
CHECKED		
APPROVED		

SIZE	PART NO.	REV.
X	125SH-C-XX-TR-SMT-T/R	A
REF: S00123T	SCALE: NTS	SHEET 1 OF 1