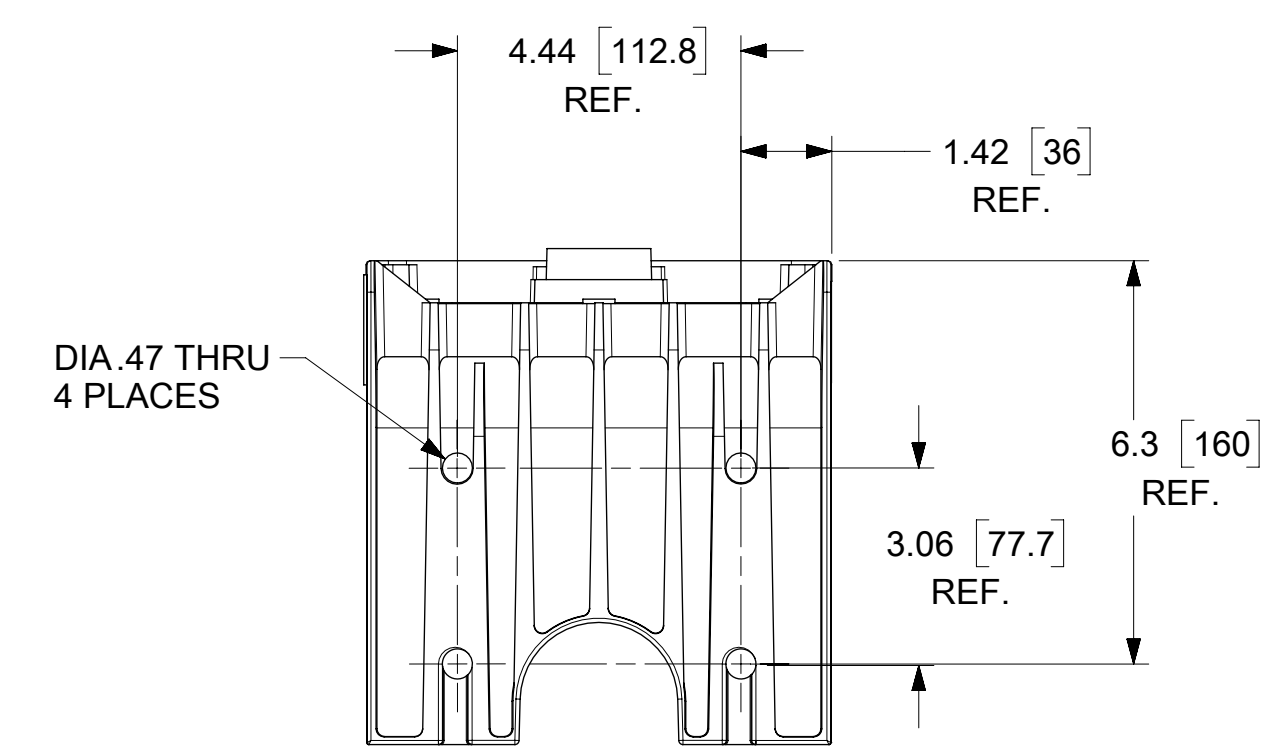
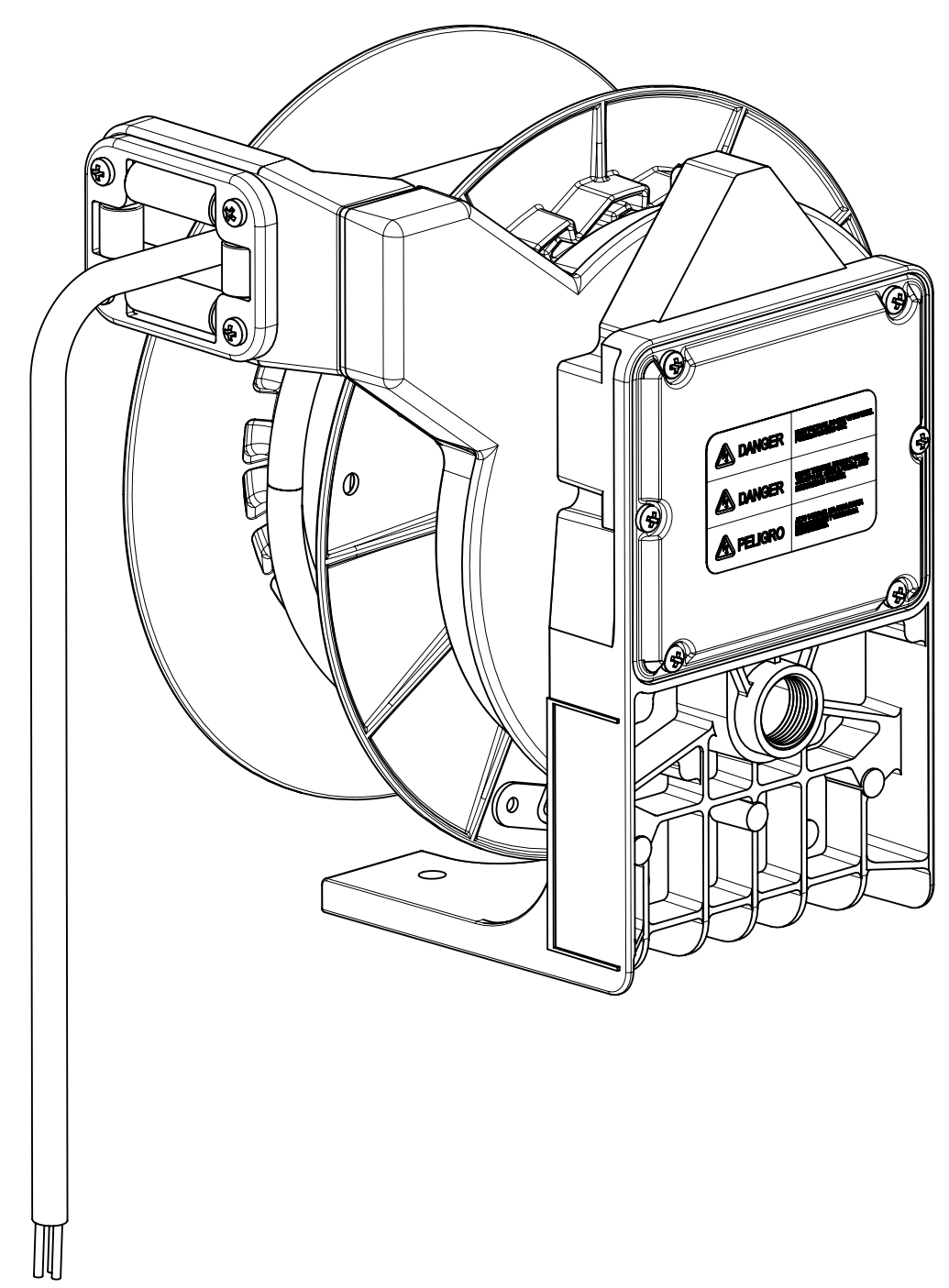
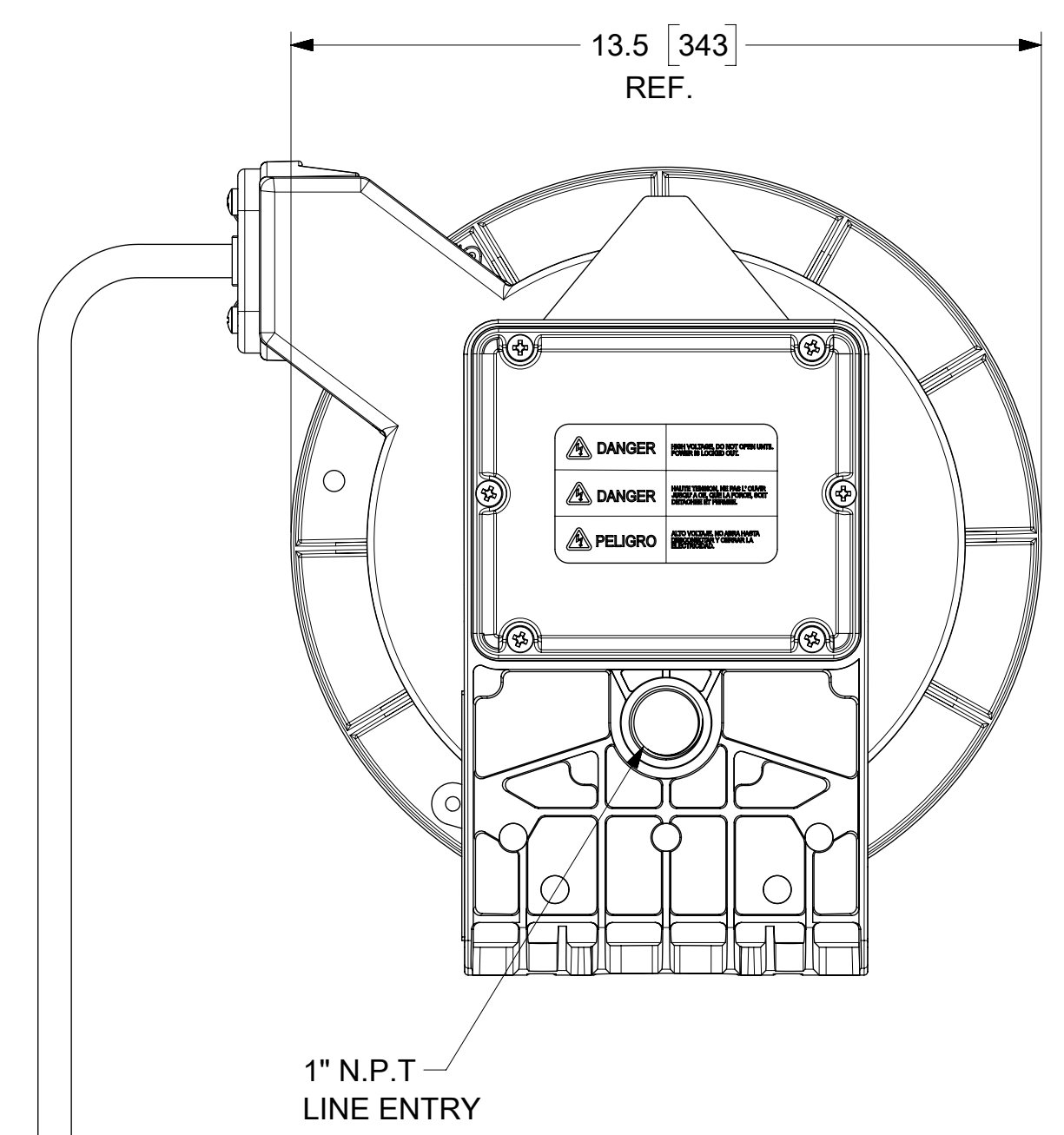
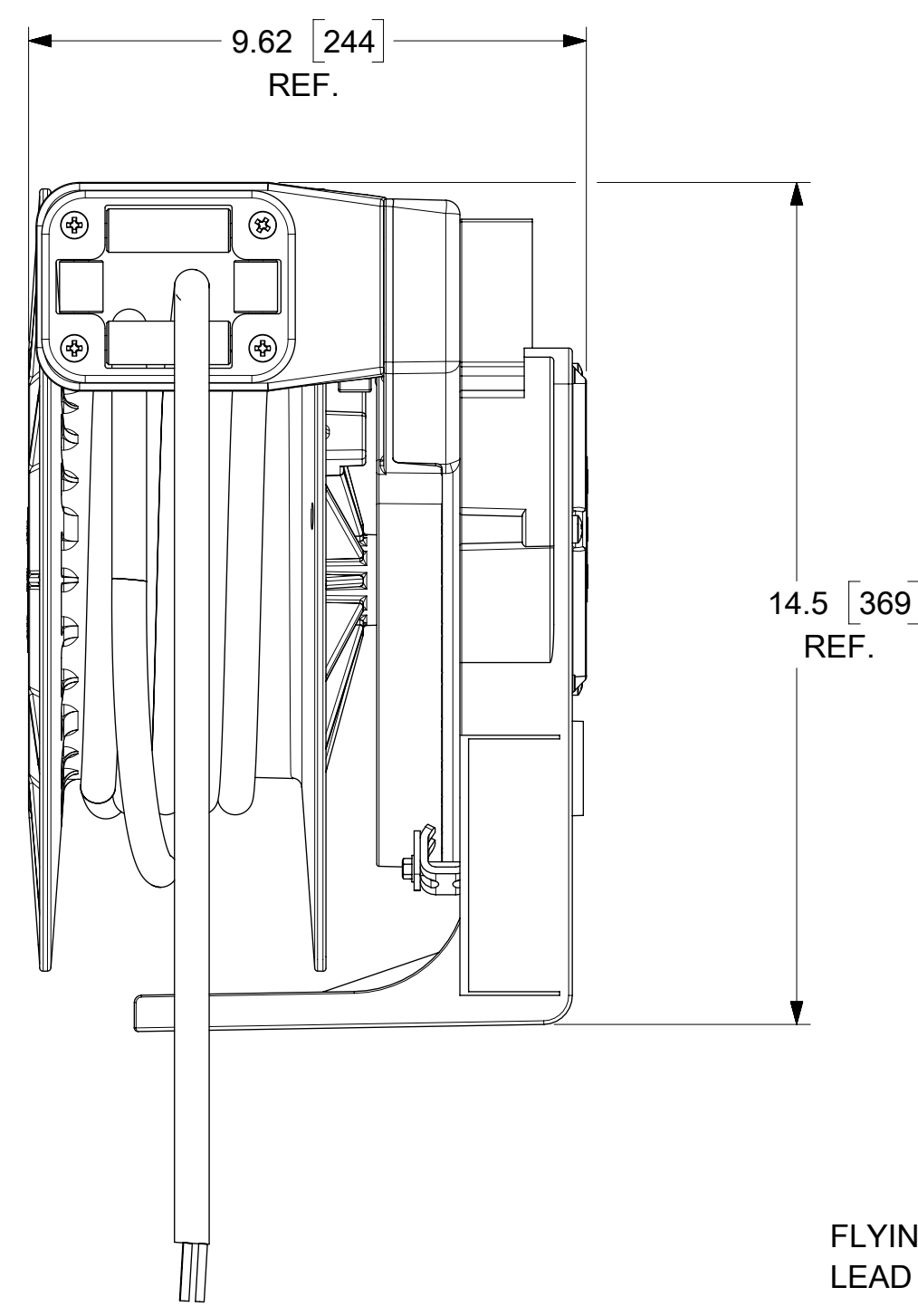


ORDER NO	130083-0262
WOODHEAD ENG. NO	9363
WIRE GAUGE	14
CONDUCTORS	4
AMPERAGE	11A
WORKING CORD	25 FT. YELLOW
CORD TYPE	SOOW
CONSTRUCTION	HEAVY WALL CAST ALUMINUM
PAINT	YELLOW POWDER COAT
REEL ENCLOSURE RATING	NEMA 4 INDOOR / OUTDOOR
RETRACTION WEIGHT	4.0 LB [1.8 KG]



BOTTOM VIEW

NOTES:

1. CABLE GUIDE IS ADJUSTABLE EVERY 5 DEGREES OVER 270 DEGREE ARC.
2. RATCHET LOCK IS EASY TO DISENGAGE FOR CONSTANT TENSION.
3. REEL CANNOT BE "LOCKED OUT" AT FULL EXTENSION.
4. BALL STOP IS OPTIONAL: ORDER No. 130226-4374 / WOODHEAD ENG. No. 9521

FUNCTIONAL SYMBOLS	THIS DRAWING CONTAINS INFORMATION THAT IS PROPRIETARY TO MOLEX ELECTRONIC TECHNOLOGIES, LLC AND SHOULD NOT BE USED WITHOUT WRITTEN PERMISSION			CURRENT REV DESC: RELEASE CUSTOMER DRAWING								
	DIMENSION UNITS	SCALE										
$\nabla_A = 0$	INCH/MM	NTS		GENERAL TOLERANCES (UNLESS SPECIFIED)			CABLE REEL - INDUSTRIAL DUTY 25' #14-4 SOOW					
$\nabla_C = 0$		MM	INCH									
$\nabla_P = 0$	4 PLACES	±	±	EC NO: 674790 DRWN: VHANDI 2020/07/16 CHK'D: DSOPPIN 2022/05/06 APPR: HKNEELAND 2022/05/12			PRODUCT CUSTOMER DRAWING					
DIVISIONAL SYMBOLS	3 PLACES	±	± 0.005									
	2 PLACES	± 0.13	± 0.01	INITIAL REVISION: DRWN: VHANDI 2020/07/16 APPR: HKNEELAND 2022/05/12			DOCUMENT NUMBER 1300830262			DOC TYPE PSD	DOC PART 000	REVISION A
	1 PLACE	± 0.25	± 0.02									
	0 PLACES	±	±	THIRD ANGLE PROJECTION 			MATERIAL NUMBER SEE TABLE	CUSTOMER GENERAL MARKET		SHEET NUMBER 1 OF 1		
	ANGULAR TOL	± 0.5°										
	DRAFT WHERE APPLICABLE MUST REMAIN WITHIN DIMENSIONS			C-SIZE	SERIES	130083						