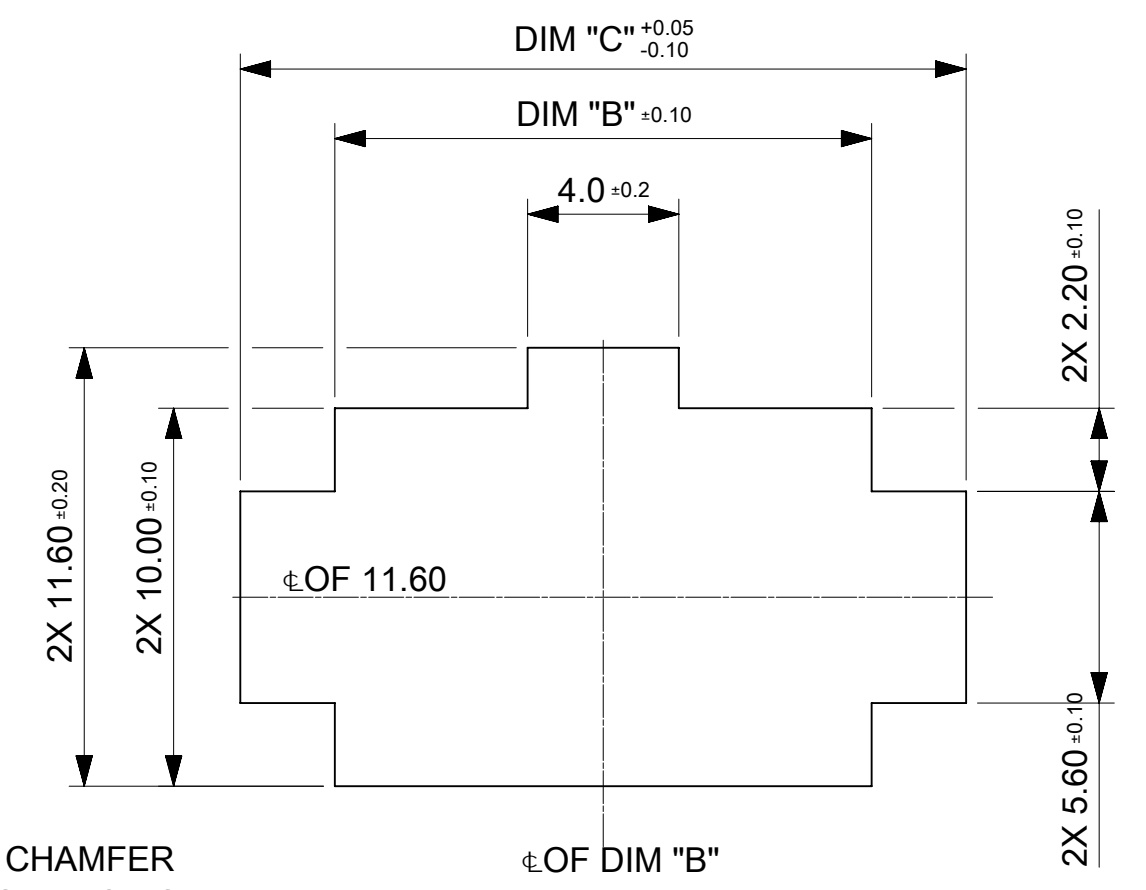
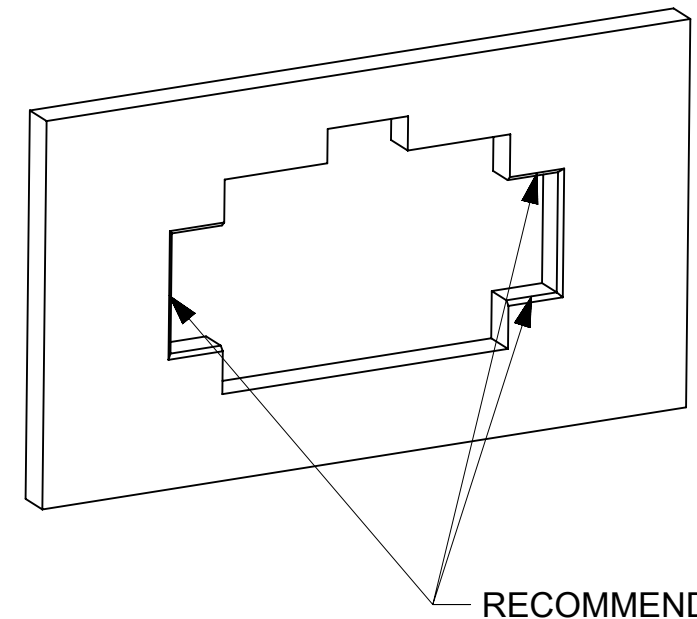
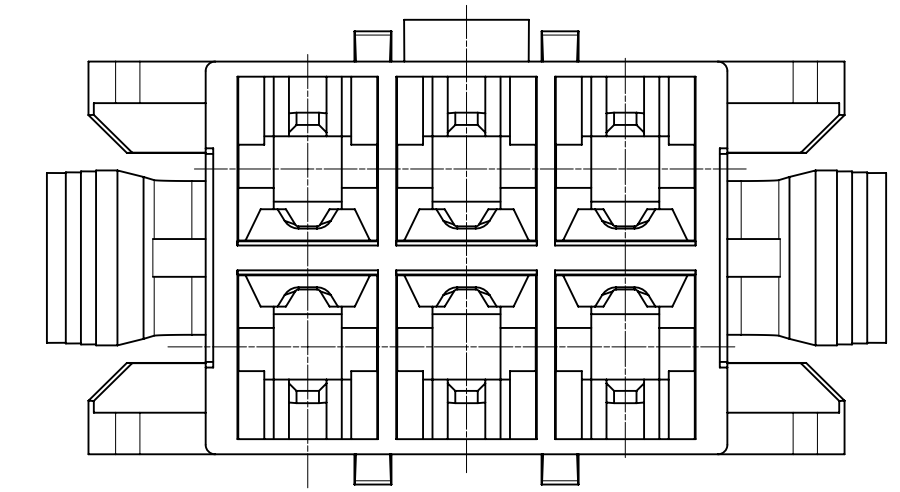
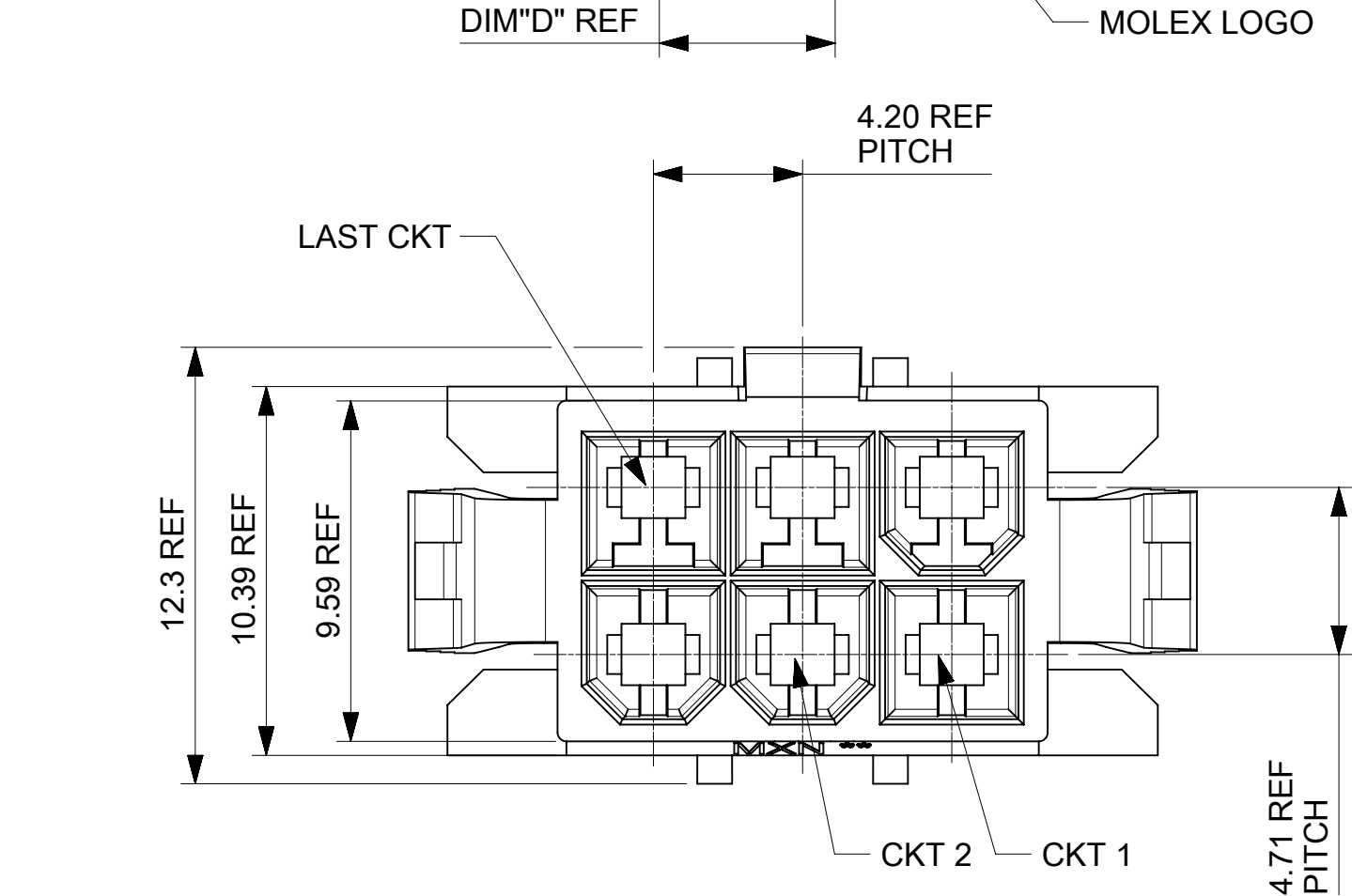
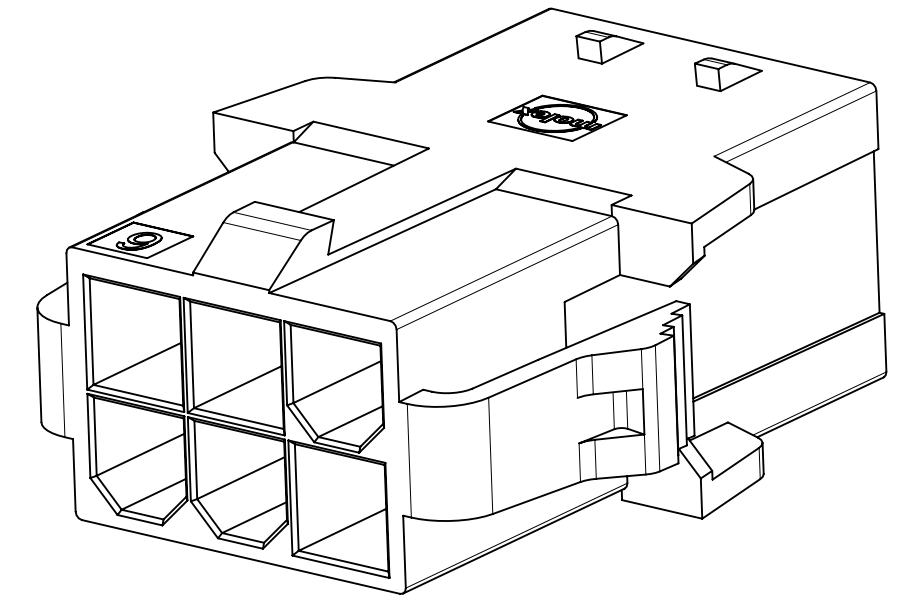


PLUG P/N	CKT	DIM "A"	DIM "B"	DIM "C"	DIM "D"
1727673002	2	5.40	5.80	10.80	4.95
1727673004	4	9.60	10.00	15.00	4.95
1727673006	6	13.80	14.20	19.20	4.95
1727673008	8	18.00	18.40	23.40	4.95
1727673010	10	22.20	22.60	27.60	12.95
1727673012	12	26.40	26.80	31.80	12.95
1727673014	14	30.60	31.00	36.00	12.95
1727673016	16	34.80	35.20	40.20	12.95
1727673018	18	39.00	39.40	44.40	20.95

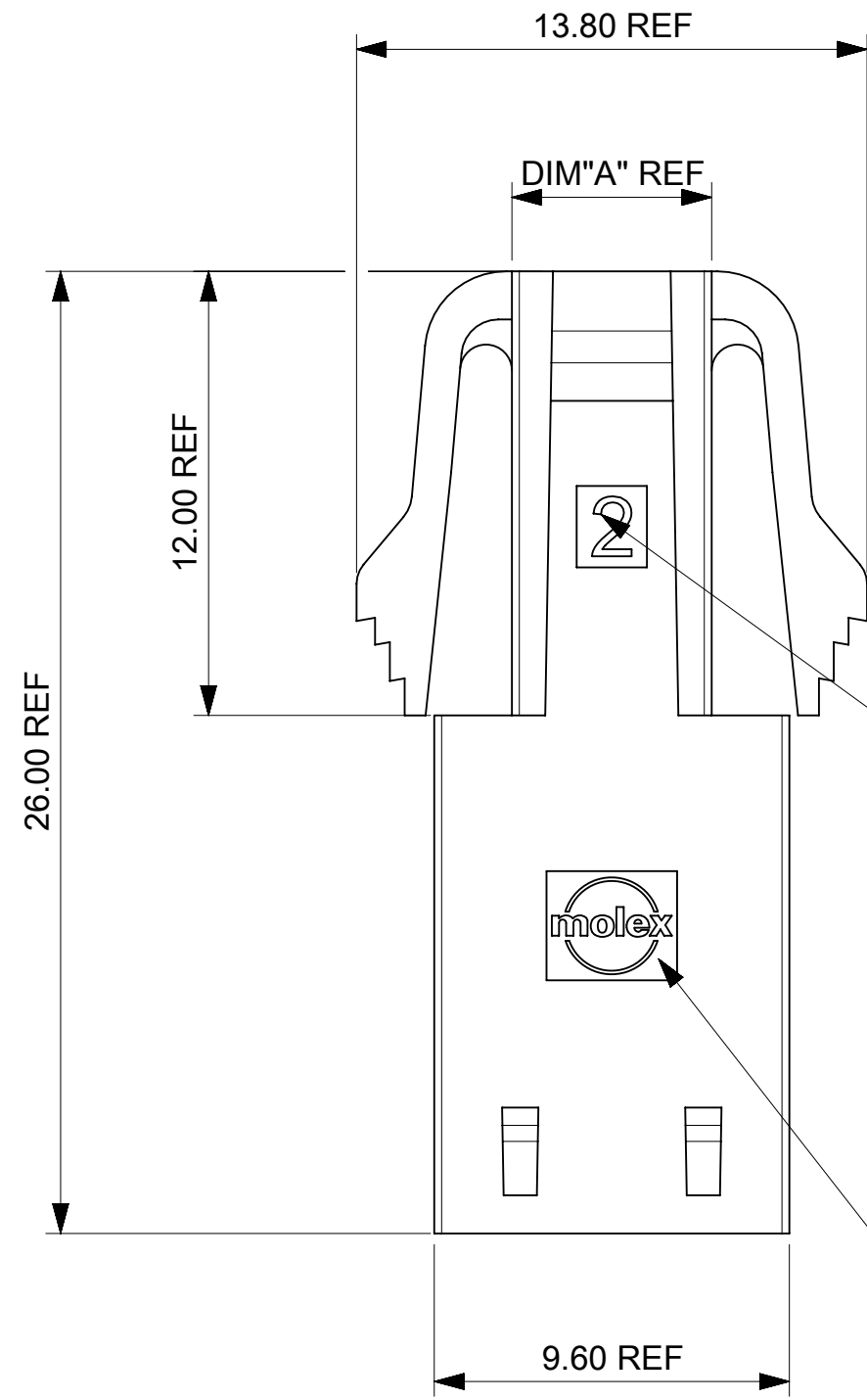


- NOTES:
- MATERIAL: NYLON, UL 94V-0 AND GLOW WIRE CAPABLE PER IEC60335-1; COLOR: BLACK
  - FINISH: NONE
  - PRODUCT SPECIFICATION: 2131370000-PS/2029880002-PS  
APPLICATION SPECIFICATION: 2131370000-AS
  - PACKAGING SPECIFICATION: 172762-0001-PK  
REFER TO AS-45499-001 FOR MOISTURIZING NYLON CONNECTOR PARTS.
  - THIS PART TO BE USED WITH FEMALE TERMINAL SERIES 172765, 203070 AND TPA SERIES 172709-2\*\*\*.
  - THIS PART MATES WITH SERIES 172708-1\*\*\*
  - THIS PART CONFORMS TO CLASS 'B' REQUIREMENTS OF COSMETIC SPECIFICATION PS-45499-002.
  - SEE DRAWING 1727090002-SD FOR OTHER TPA INFORMATION.
  - SEE DRAWING 1727080002-SD FOR OTHER RECEPTACLE INFORMATION.
  - SEE DRAWINGS SD-172718-0000 AND 2029880001-PSD FOR OTHER CRIMP TERMINAL INFORMATION.

RECOMMENDED PANEL CUT-OUT DIMENSIONS  
PANEL THICKNESS 0.80-2.00MM

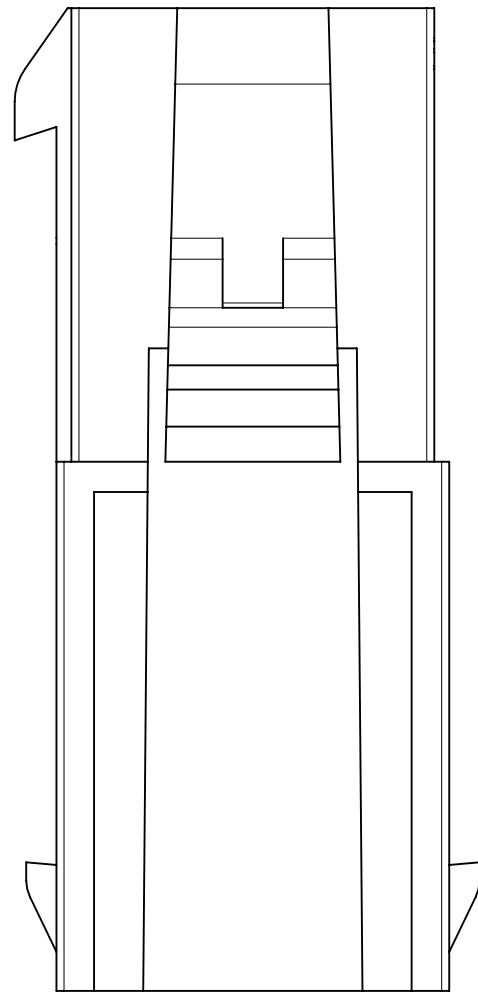
THIS DRAWING CONTAINS INFORMATION THAT IS PROPRIETARY TO MOLEX ELECTRONIC TECHNOLOGIES, LLC AND SHOULD NOT BE USED WITHOUT WRITTEN PERMISSION

DIMENSION UNITS	SCALE	CURRENT REV DESC:		<b>molex</b>		
mm	NTS					
GENERAL TOLERANCES (UNLESS SPECIFIED)				SD-DRAWING OF MINI-FIT SIGMA DR PLUG		
ANGULAR TOL	±	°	PRODUCT CUSTOMER DRAWING			
4 PLACES	±		EC NO: 735375	DOCUMENT NUMBER		
3 PLACES	±		DRWN: JERRYW8	2023/01/06	DOC TYPE   DOC PART   REVISION	
2 PLACES	±	0.25	CHK'D: XQZHANG	2023/02/01	1727670002-SD   PSD   000   A6	
1 PLACE	±	0.36	APPR: XQZHANG	2023/02/01		
0 PLACES	±		INITIAL REVISION:	MATERIAL NUMBER		
DRAFT WHERE APPLICABLE MUST REMAIN WITHIN DIMENSIONS			DRWN: ALU002	2019/09/24	CUSTOMER	
THIRD ANGLE PROJECTION			APPR: YXZHENG	2019/10/11	SHEET NUMBER	
DRAWING			SERIES	SEE TABLE	GENERAL MARKET	
A2-SIZE			172767	1 OF 4		



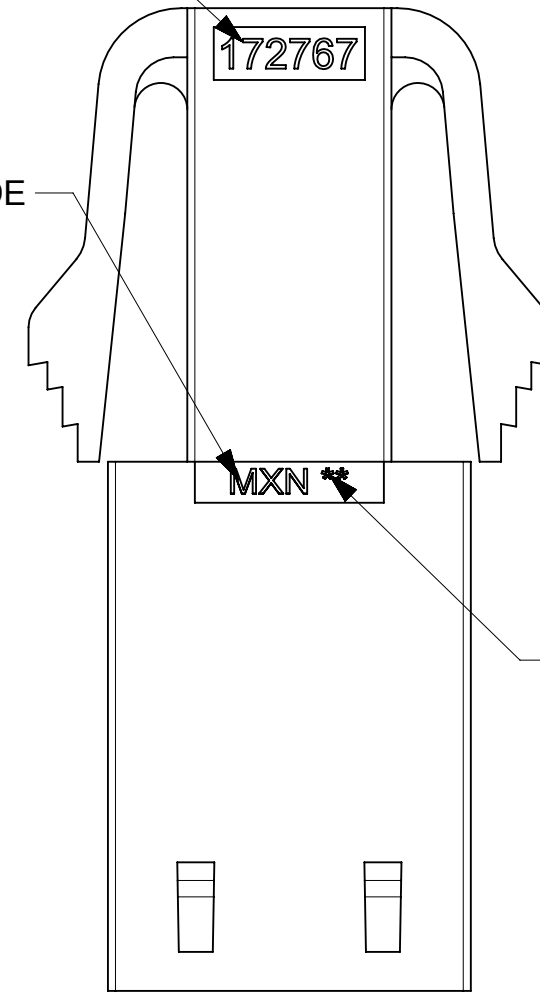
LAST CKT CODE

MOLEX LOGO

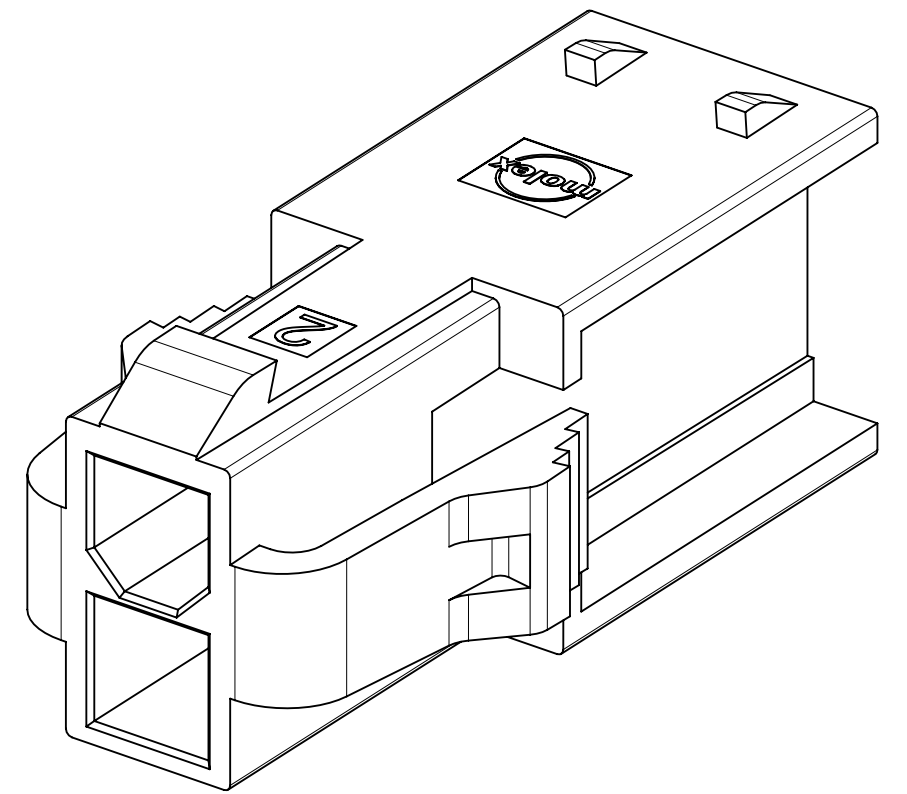
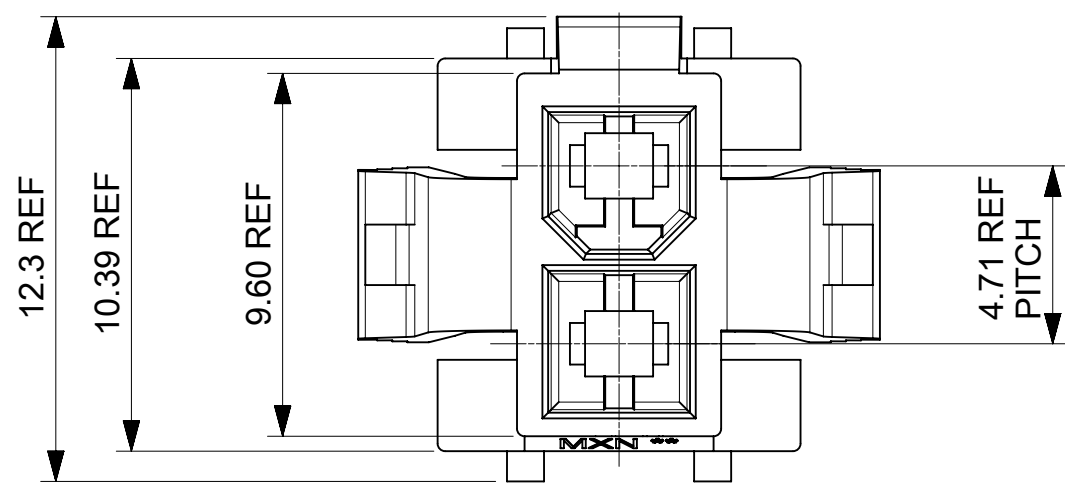
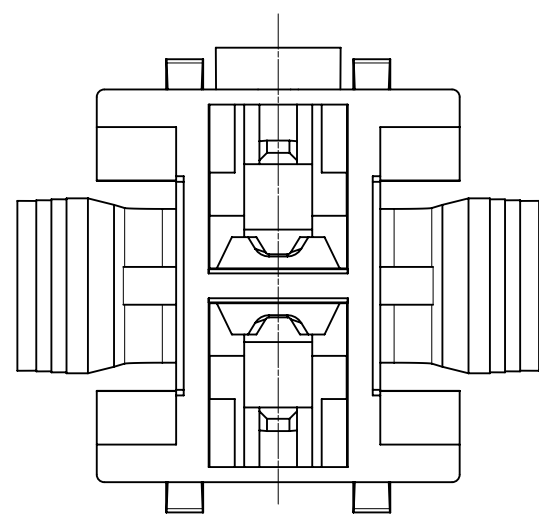


PLUG SERIES

MOLEX PLANT CODE

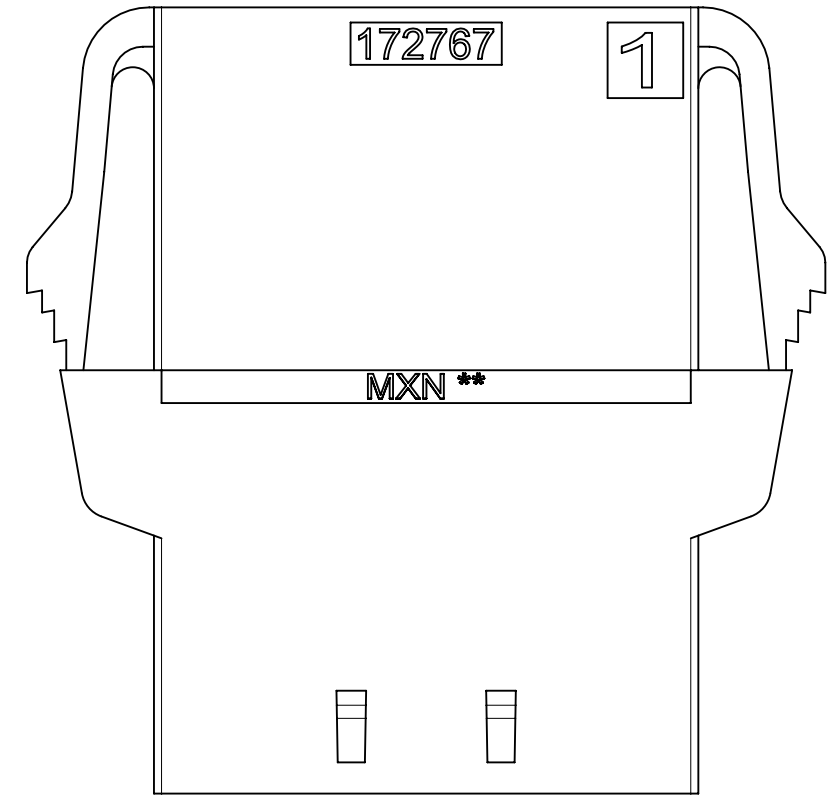
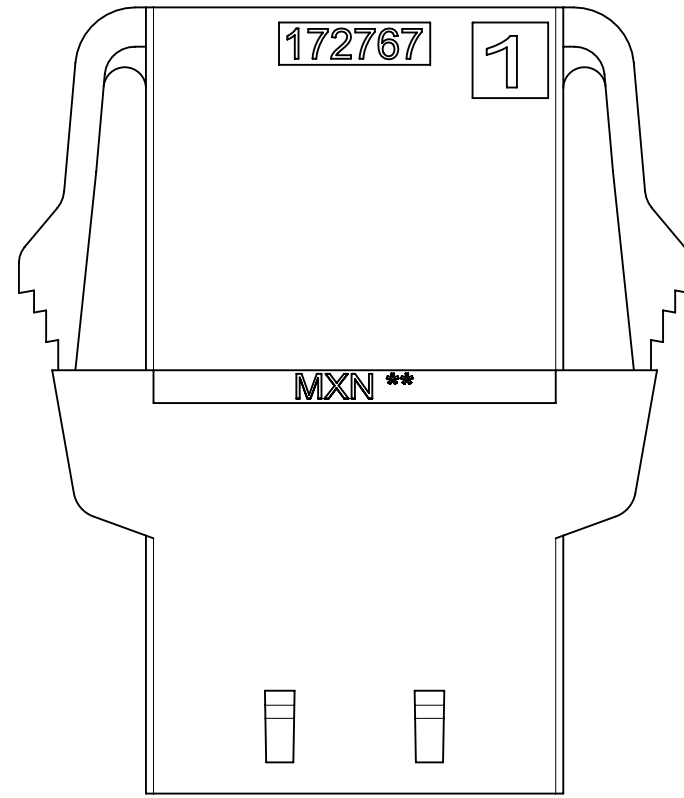
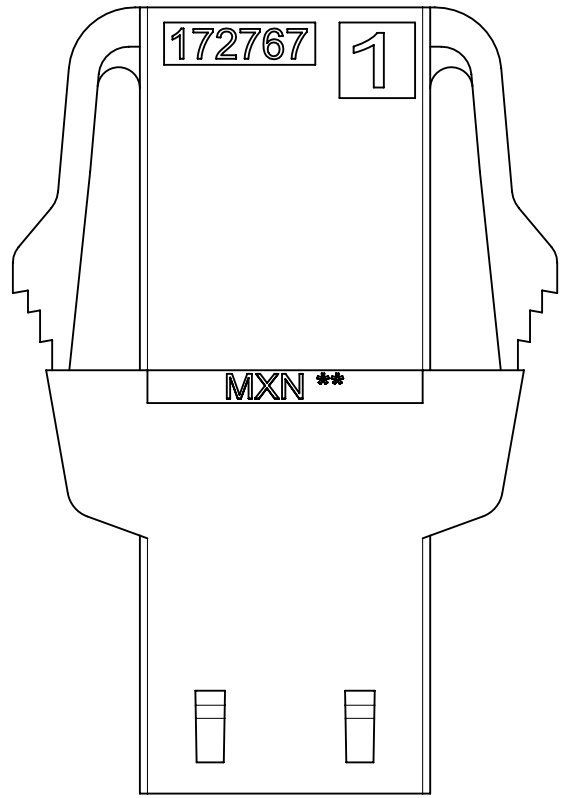
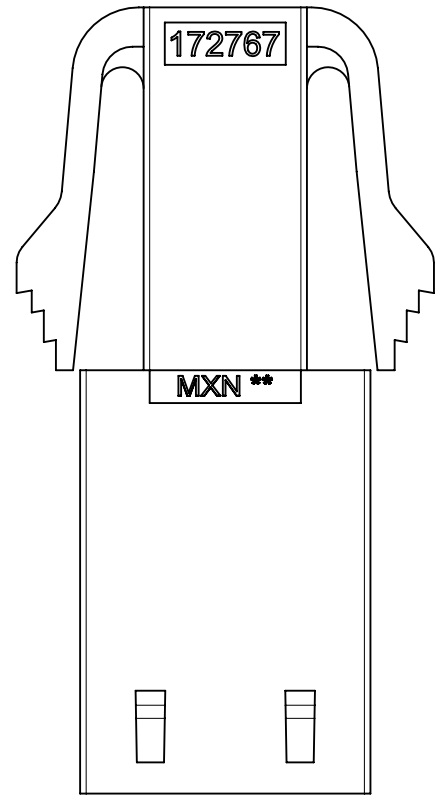
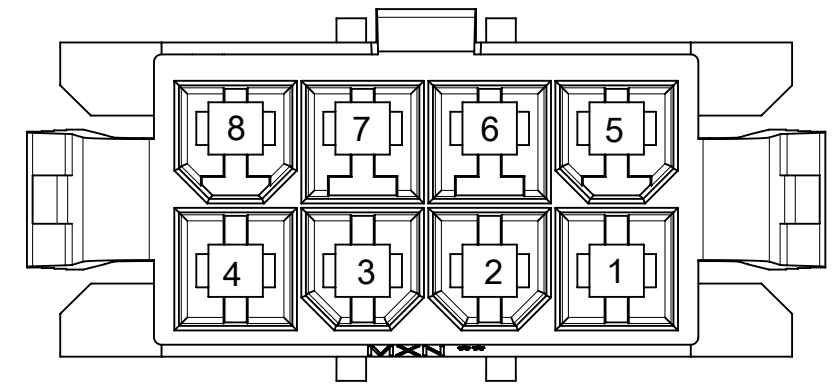
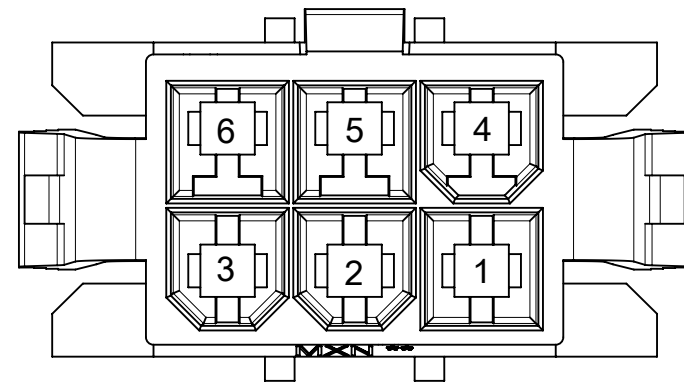
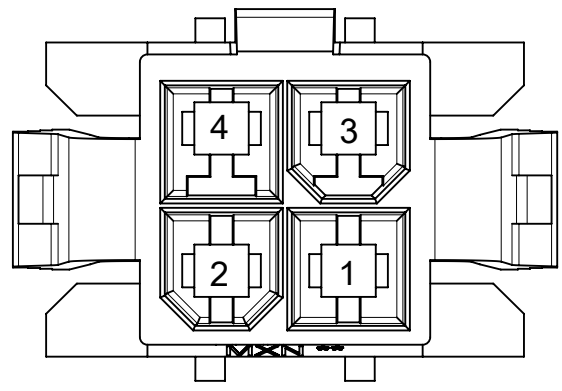
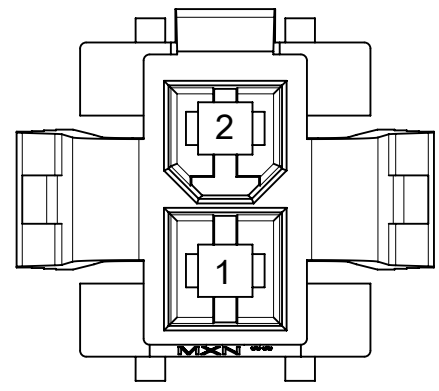


CAVITY CODE



THIS DRAWING CONTAINS INFORMATION THAT IS PROPRIETARY TO MOLEX ELECTRONIC TECHNOLOGIES, LLC AND SHOULD NOT BE USED WITHOUT WRITTEN PERMISSION

DIMENSION UNITS	SCALE	CURRENT REV DESC:				<b>molex</b>				
mm	NTS									
GENERAL TOLERANCES (UNLESS SPECIFIED)						SD-DRAWING OF MINI-FIT SIGMA DR PLUG				
ANGULAR TOL	± °					PRODUCT CUSTOMER DRAWING				
4 PLACES	±	EC NO: 735375	2023/01/06			DOCUMENT NUMBER		DOC TYPE	DOC PART	REVISION
3 PLACES	±	DRWN: JERRYW8	2023/02/01			1727670002-SD		PSD	000	A6
2 PLACES	± 0.25	CHK'D: XQZHANG	2023/02/01			MATERIAL NUMBER		CUSTOMER		SHEET NUMBER
1 PLACE	± 0.36	APPR: XQZHANG	2023/02/01	INITIAL REVISION:		SEE TABLE		GENERAL MARKET		2 OF 4
0 PLACES	±	DRWN: ALU002	2019/09/24	2019/10/11						
DRAFT WHERE APPLICABLE MUST REMAIN WITHIN DIMENSIONS		THIRD ANGLE PROJECTION		DRAWING	SERIES					
				A2-SIZE	172767					

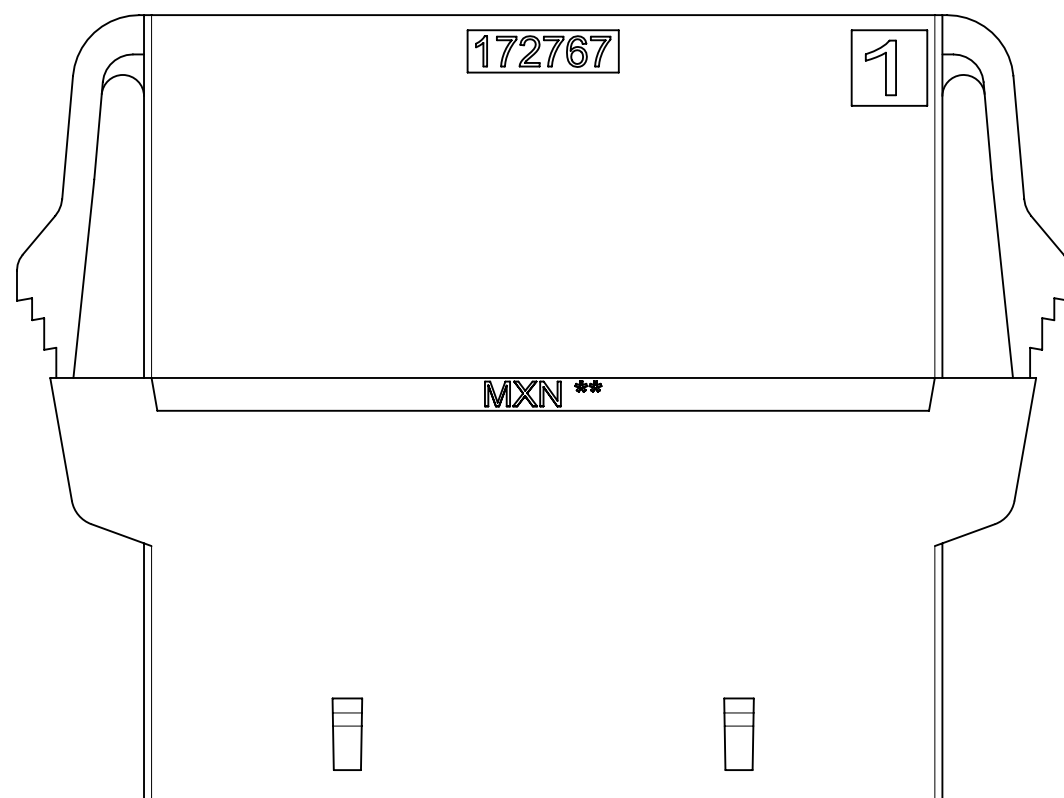
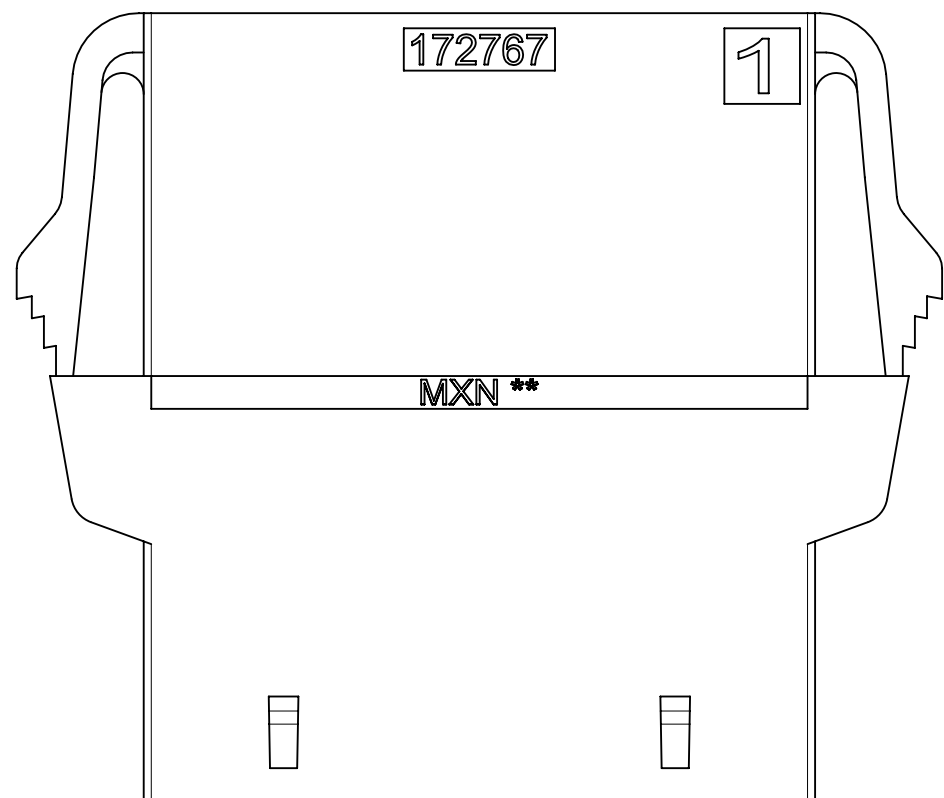
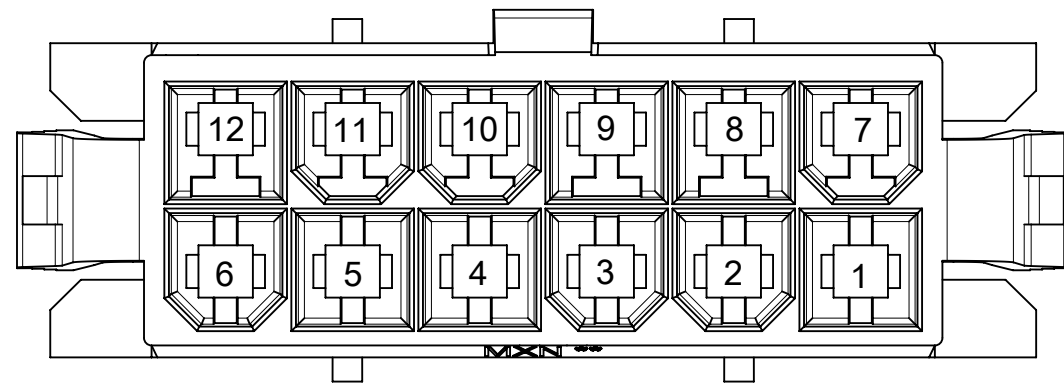
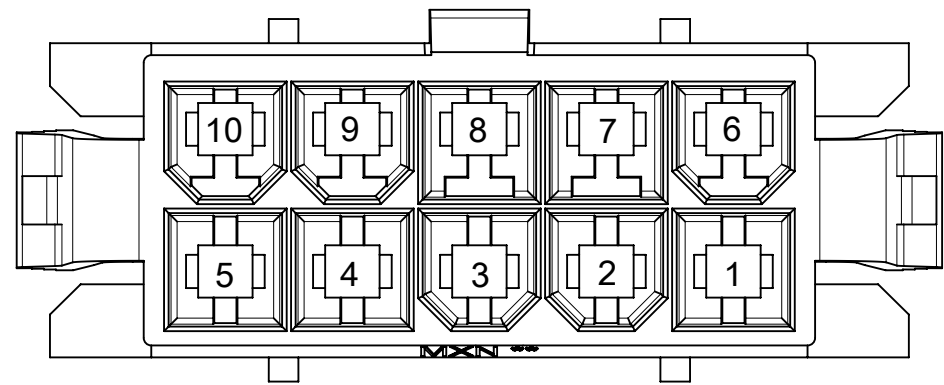


2-CKT

4-CKT

6-CKT

8-CKT

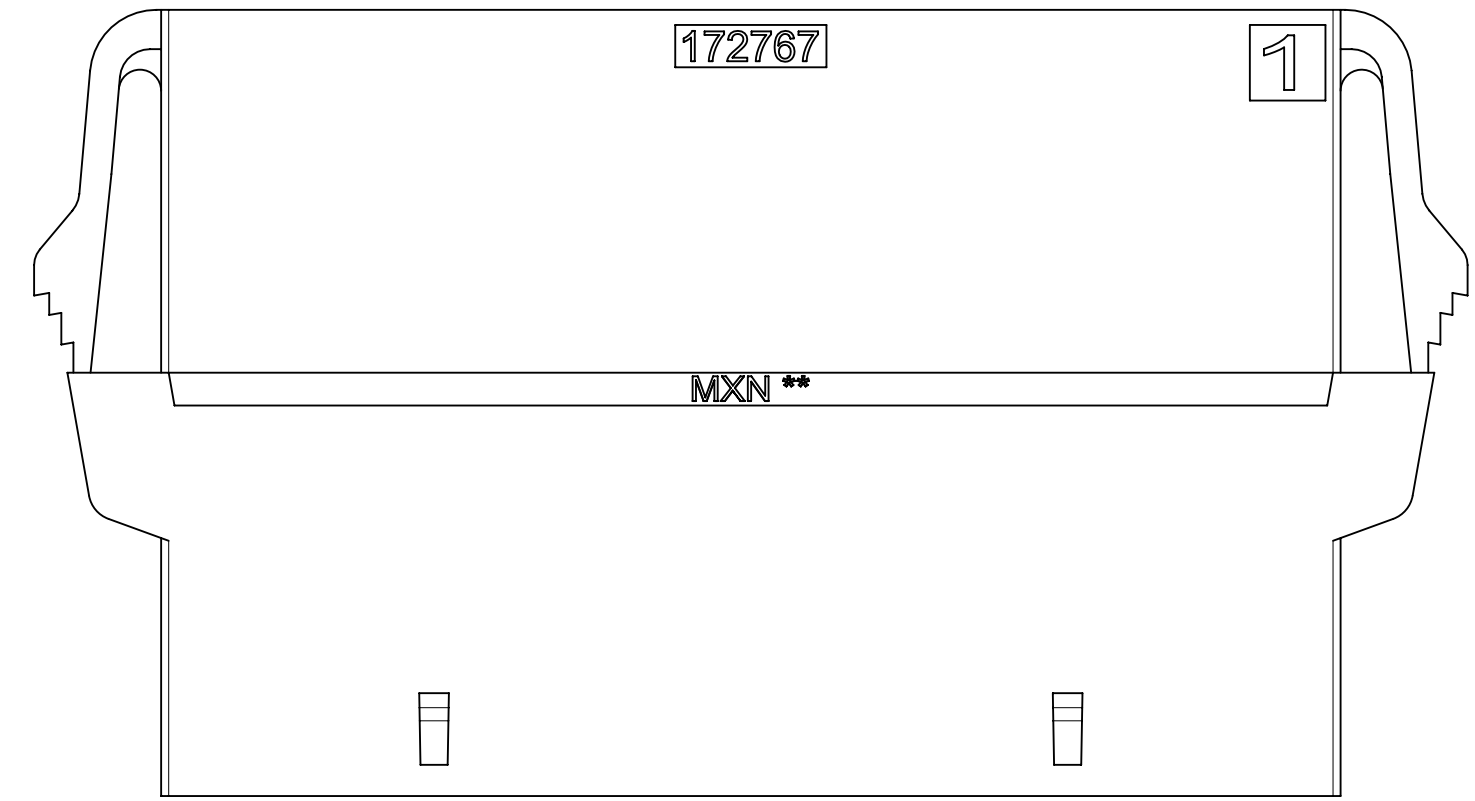
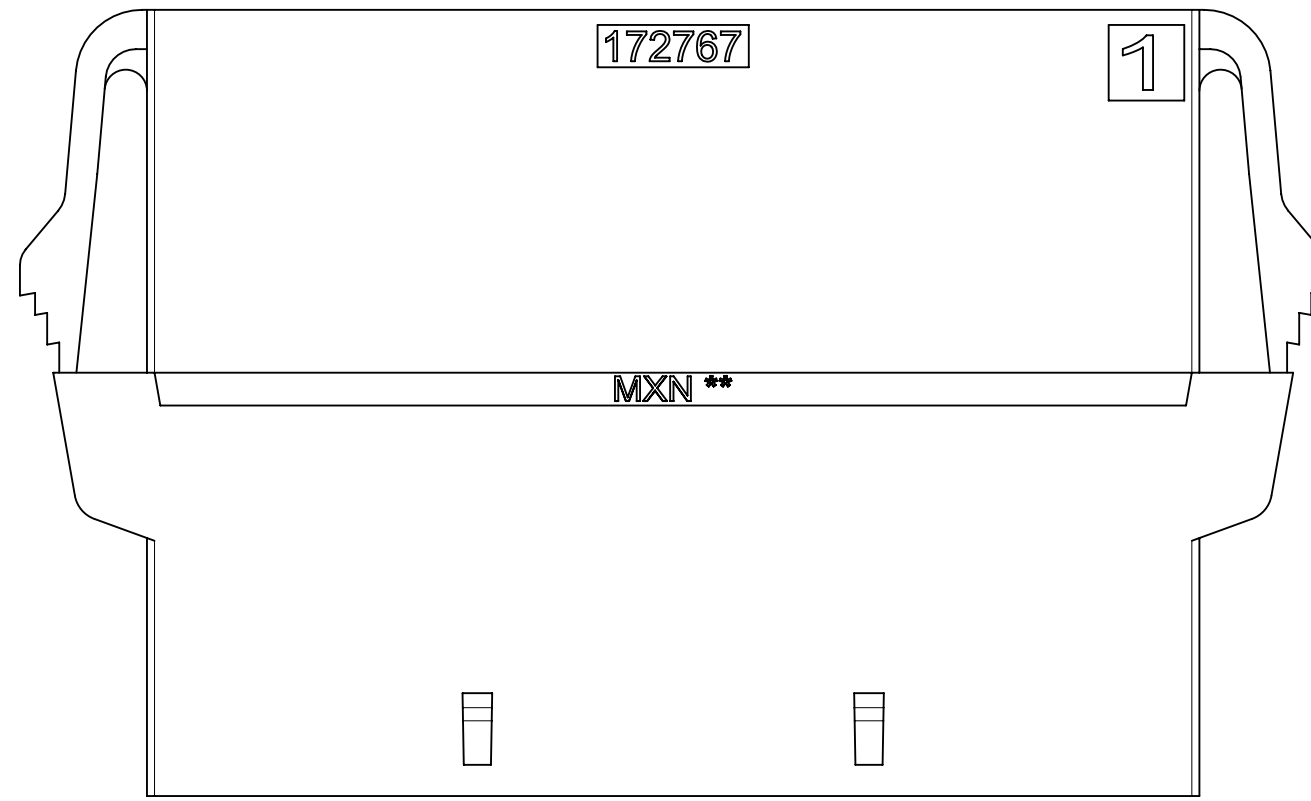
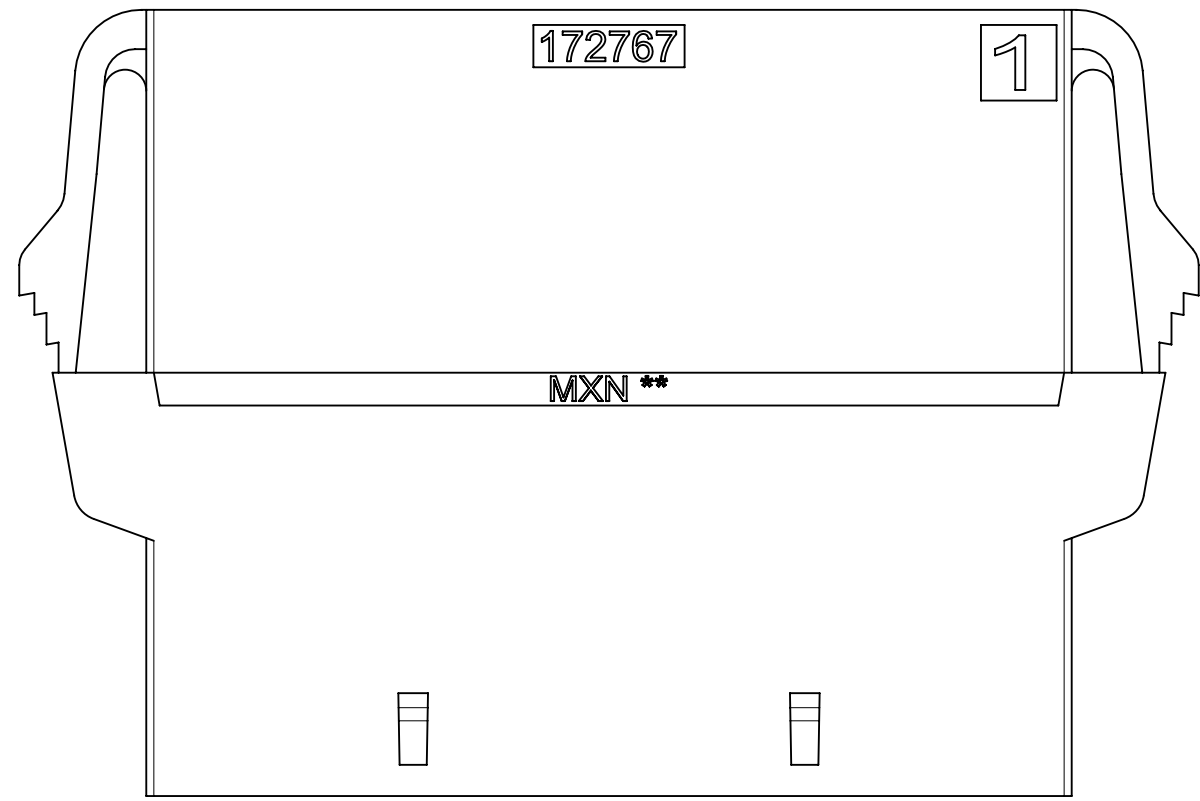
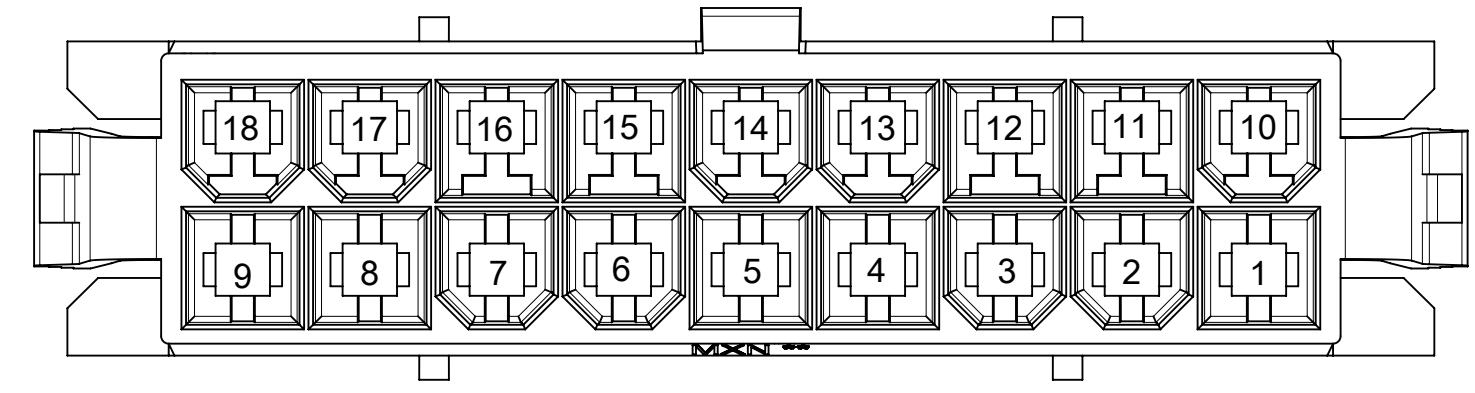
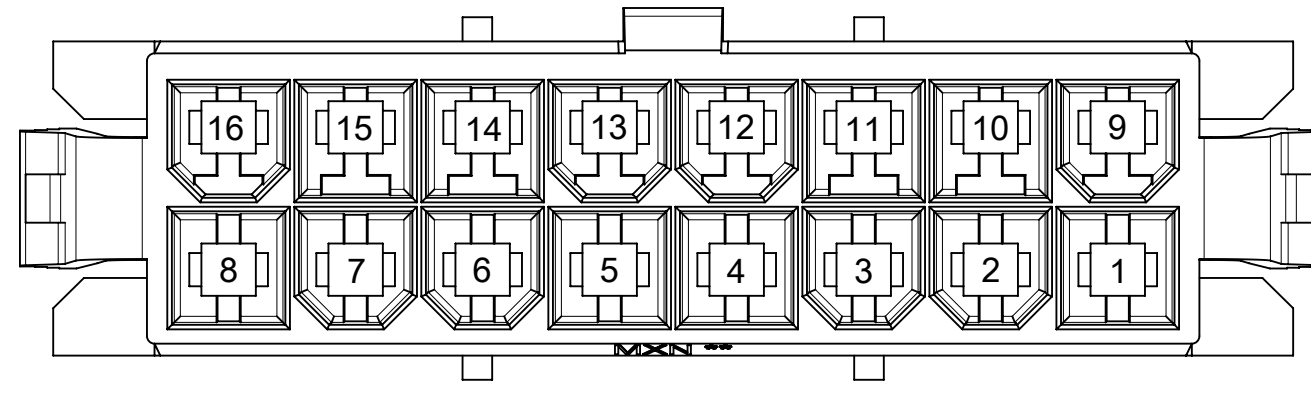
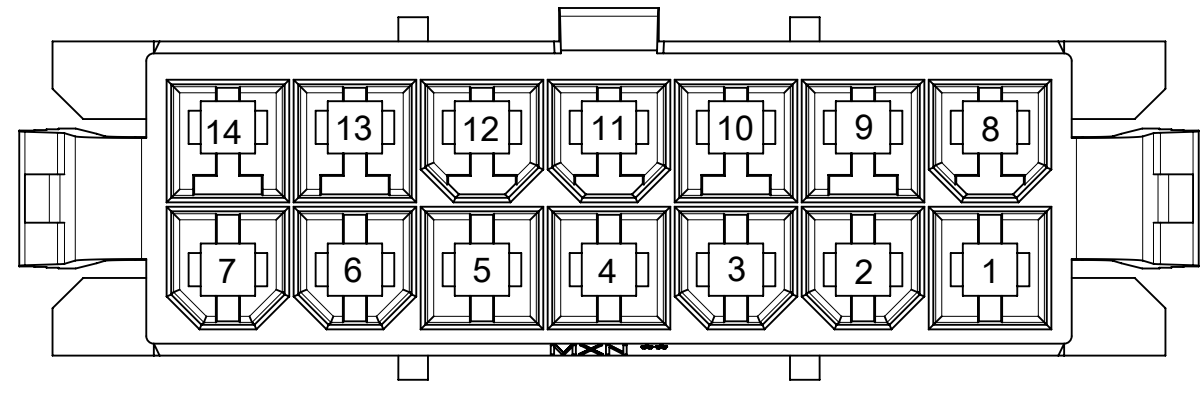


10-CKT

12-CKT

THIS DRAWING CONTAINS INFORMATION THAT IS PROPRIETARY TO MOLEX ELECTRONIC TECHNOLOGIES, LLC AND SHOULD NOT BE USED WITHOUT WRITTEN PERMISSION

DIMENSION UNITS	SCALE	CURRENT REV DESC:		<b>molex</b>		
mm	NTS					
GENERAL TOLERANCES (UNLESS SPECIFIED)				SD-DRAWING OF MINI-FIT SIGMA DR PLUG		
ANGULAR TOL ± °						
4 PLACES	±	EC NO: 735375	2023/01/06	PRODUCT CUSTOMER DRAWING		
3 PLACES	±	DRWN: JERRYW8	2023/02/01			
2 PLACES	± 0.25	CHK'D: XQZHANG	2023/02/01	DOCUMENT NUMBER		
1 PLACE	± 0.36	APPR: XQZHANG	2023/02/01			
0 PLACES	±	INITIAL REVISION:		DOC TYPE	DOC PART	REVISION
DRAFT WHERE APPLICABLE MUST REMAIN WITHIN DIMENSIONS		DRWN: ALU002	2019/09/24	PSD	000	A6
		APPR: YXZHENG	2019/10/11	SHEET NUMBER		
		THIRD ANGLE PROJECTION	DRAWING	MATERIAL NUMBER		CUSTOMER
			A2-SIZE	SEE TABLE	GENERAL MARKET	
			SERIES	172767		3 OF 4



14-CKT

16-CKT

18-CKT

THIS DRAWING CONTAINS INFORMATION THAT IS PROPRIETARY TO MOLEX ELECTRONIC TECHNOLOGIES, LLC AND SHOULD NOT BE USED WITHOUT WRITTEN PERMISSION

DIMENSION UNITS	SCALE	CURRENT REV DESC:		<b>molex</b>							
mm	NTS										
GENERAL TOLERANCES (UNLESS SPECIFIED)				SD-DRAWING OF MINI-FIT SIGMA DR PLUG							
ANGULAR TOL	±	°		PRODUCT CUSTOMER DRAWING							
4 PLACES	±	EC NO: 735375		DOCUMENT NUMBER							
3 PLACES	±	DRWN: JERRYW8		2023/01/06							
2 PLACES	±	CHK'D: XQZHANG		2023/02/01							
1 PLACE	±	APPR: XQZHANG		2023/02/01							
0 PLACES	±	INITIAL REVISION:		MATERIAL NUMBER							
DRAFT WHERE APPLICABLE MUST REMAIN WITHIN DIMENSIONS		THIRD ANGLE PROJECTION		DRAWING		SERIES		CUSTOMER		SHEET NUMBER	
				A2-SIZE		172767		SEE TABLE		4 OF 4	

<b>molex</b>			
SD-DRAWING OF MINI-FIT SIGMA DR PLUG			
PRODUCT CUSTOMER DRAWING			
DOCUMENT NUMBER	DOC TYPE	DOC PART	REVISION
1727670002-SD	PSD	000	A6
MATERIAL NUMBER		CUSTOMER	
SEE TABLE		GENERAL MARKET	

DOCUMENT STATUS	P1	RELEASE DATE	2023/02/01	07:45:19
-----------------	----	--------------	------------	----------