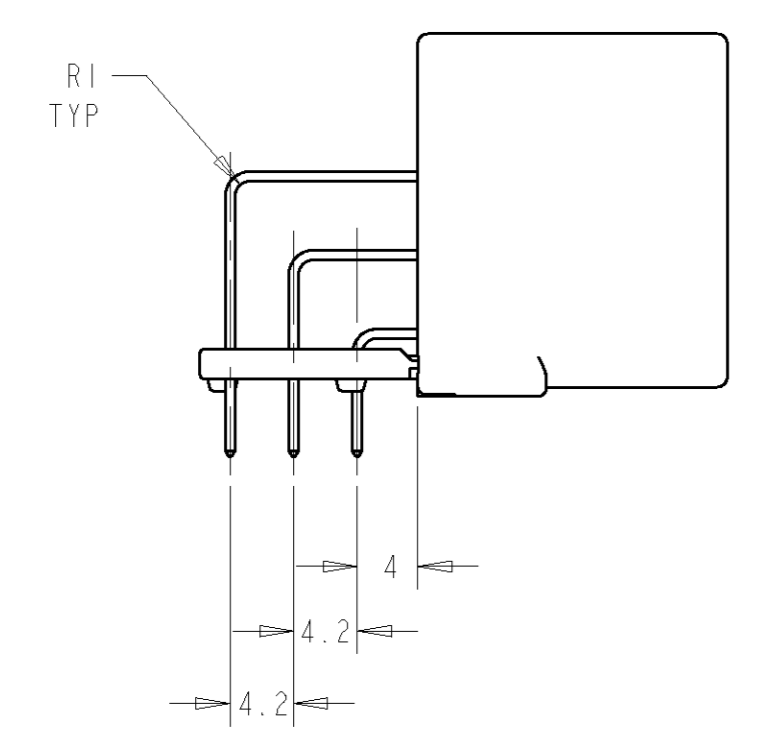
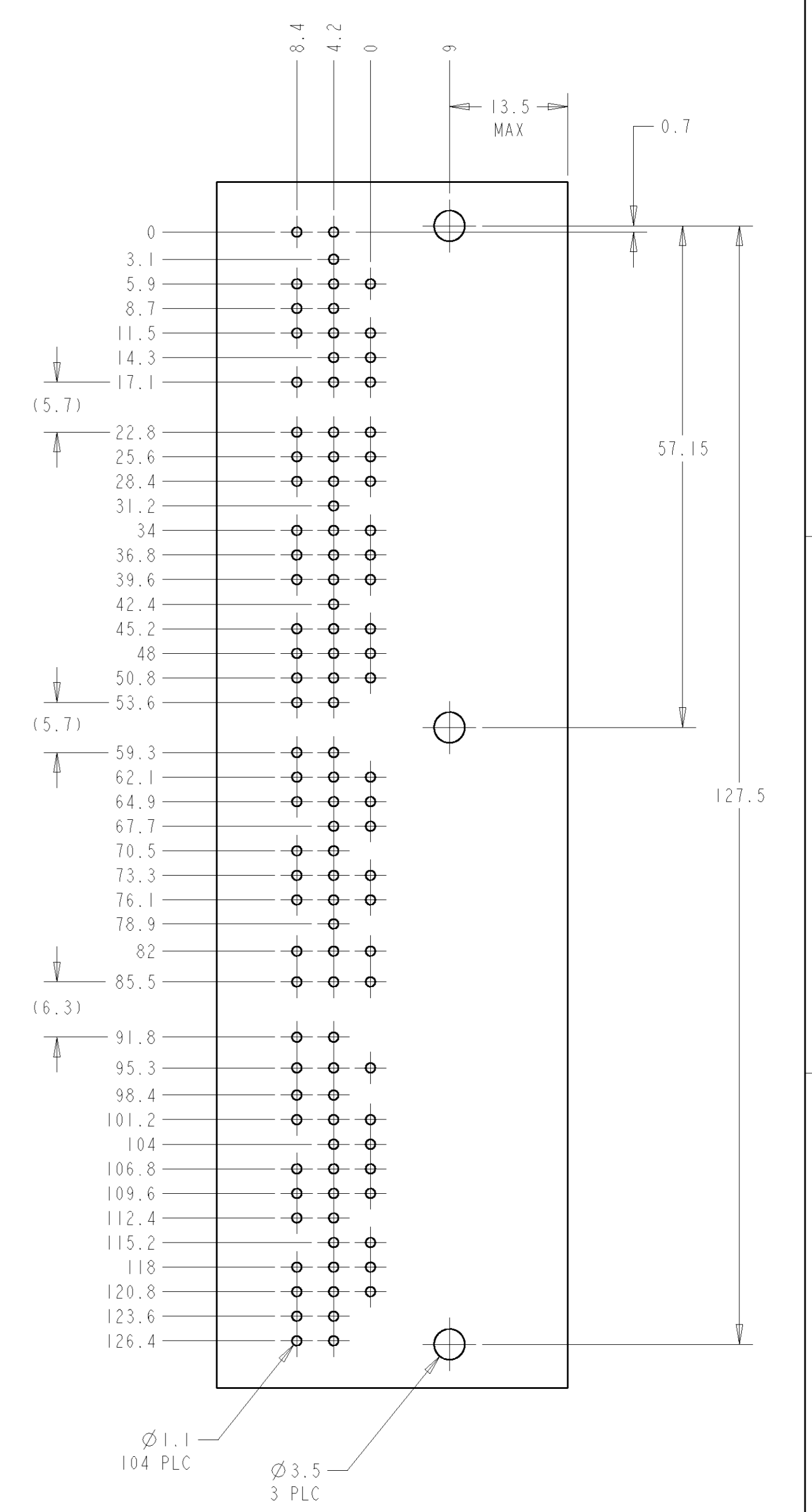
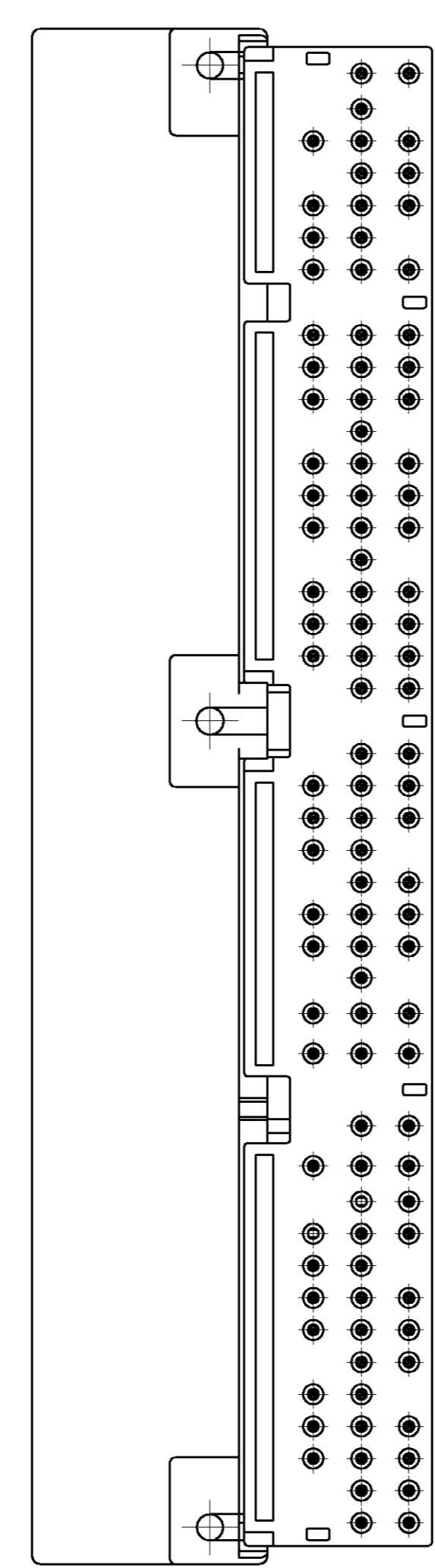
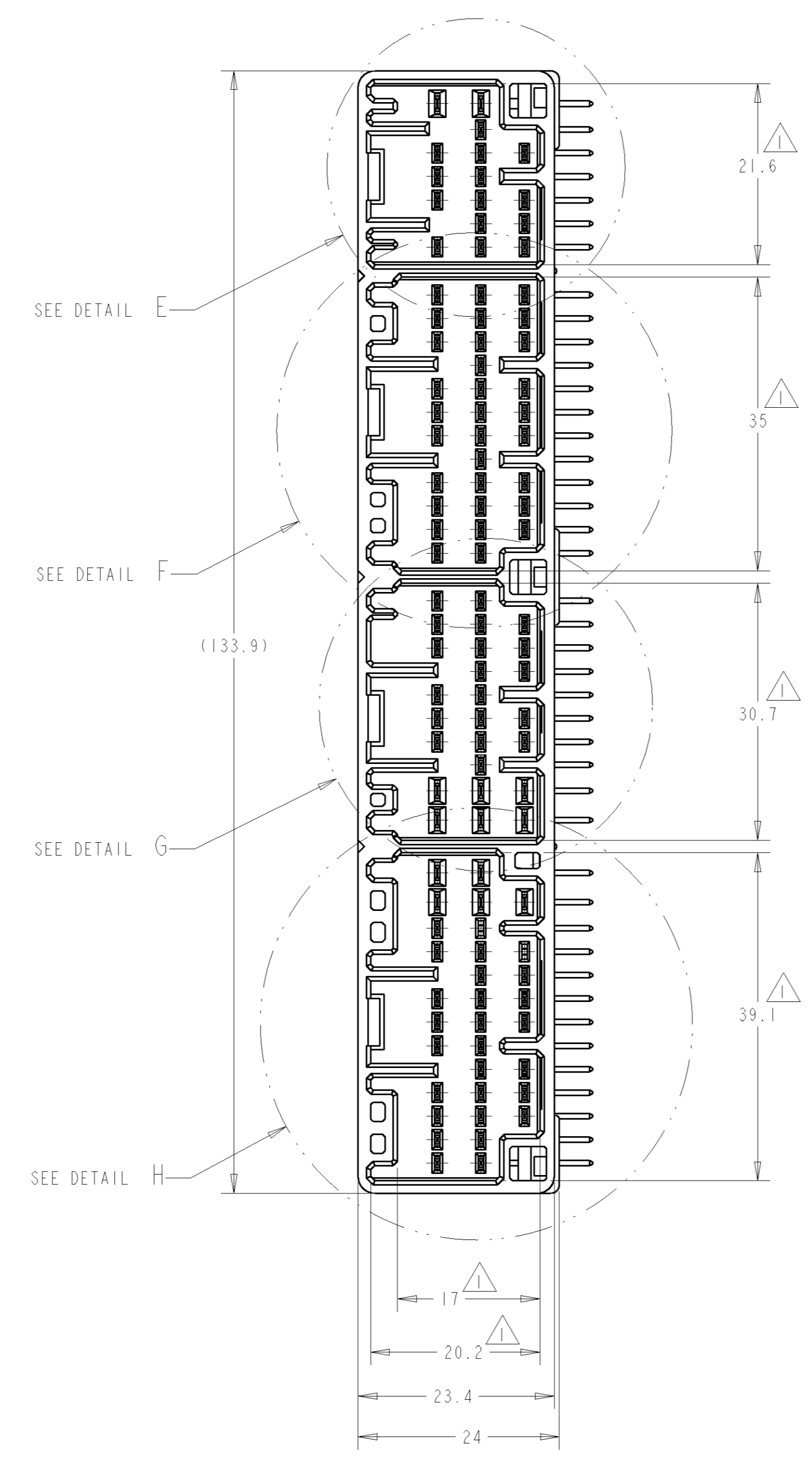
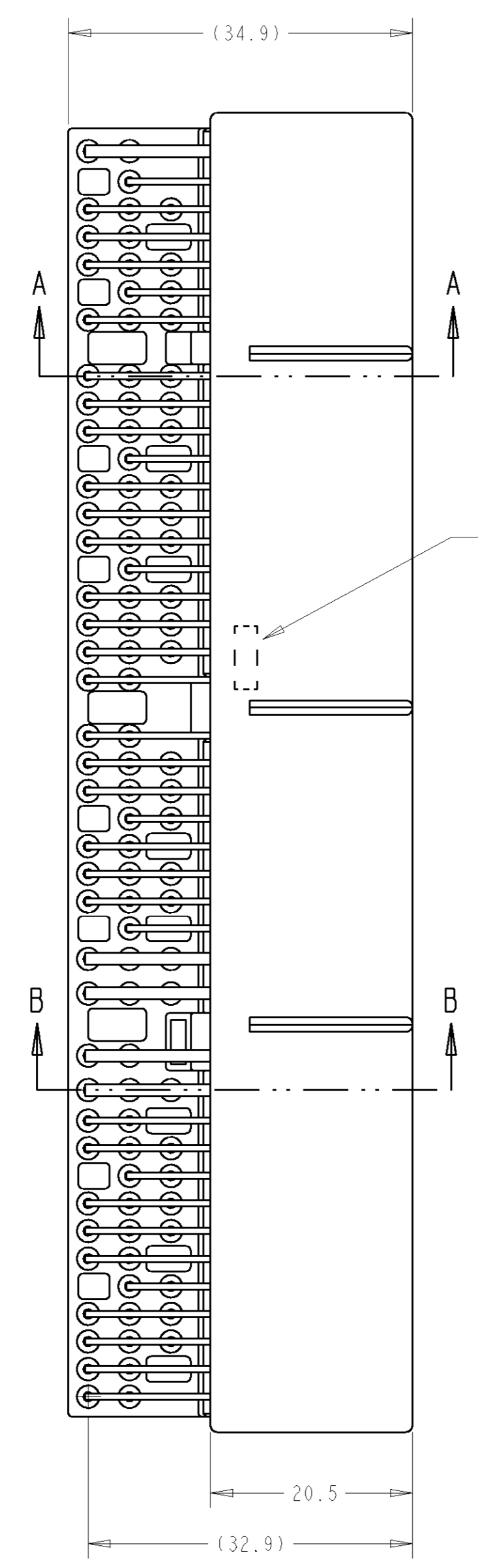
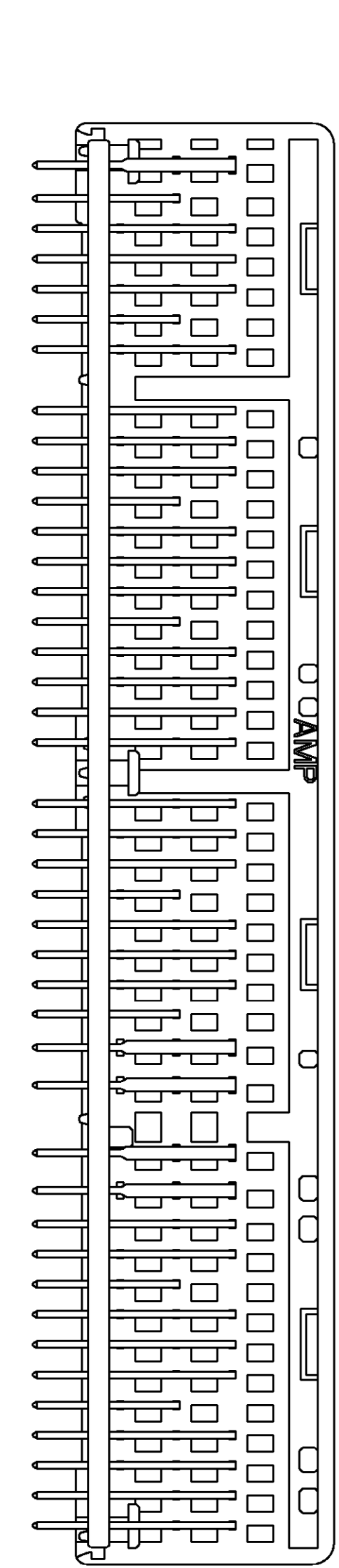


LOC	DIST	REVISIONS			
P	LTR	DESCRIPTION	DATE	DWN	APPR
C		REV PER EC 0R80-0047-03	16MAY2003	RGV	TJV
C1		REV PER EC 0R80-0140-03	16MAY2003	RGV	TJV
C2		REV PER EC 0R80-0146-03	29MAY2003	RGV	TJV
C3		REV PER EC 0R80-0409-03	07JAN2004	RGV	TJV



MOUNTING DIMENSIONS FOR PC BOARD
 RECOMMENDED TOLERANCES: ±0.1

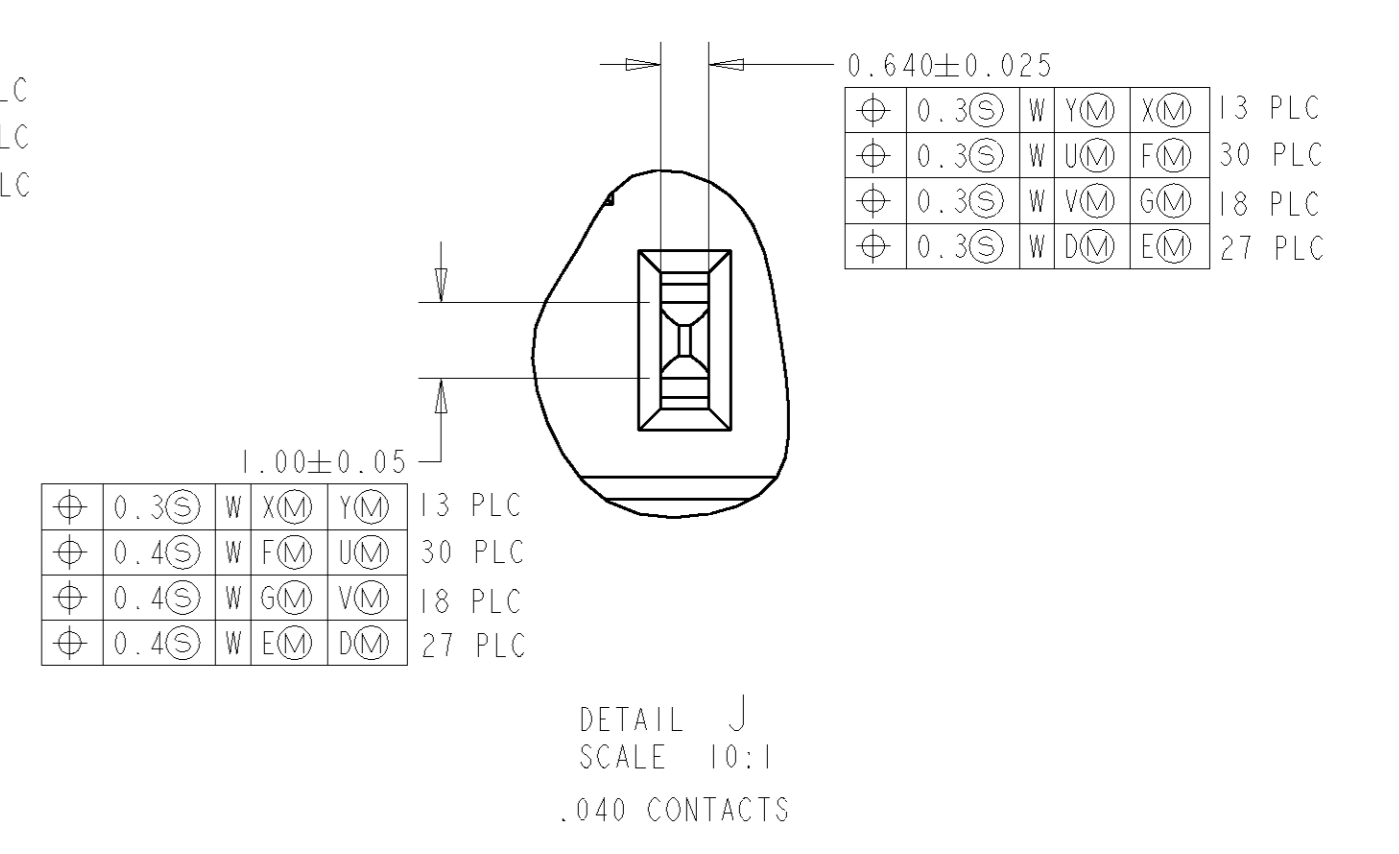
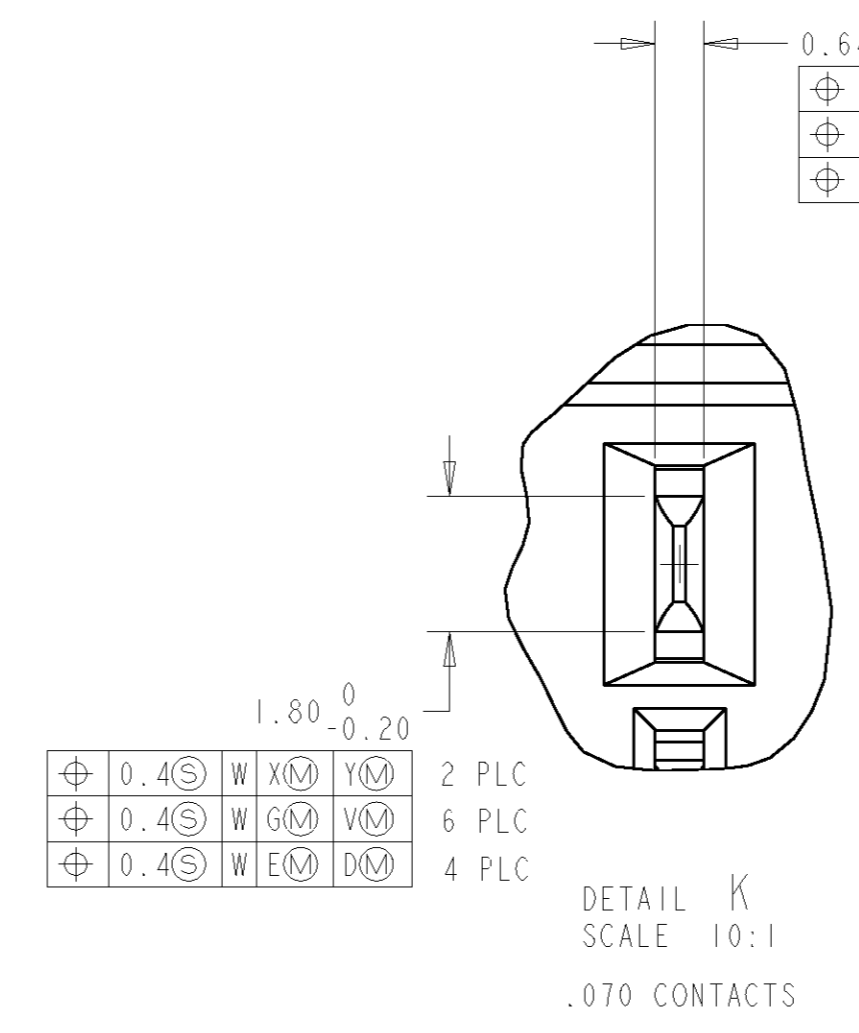
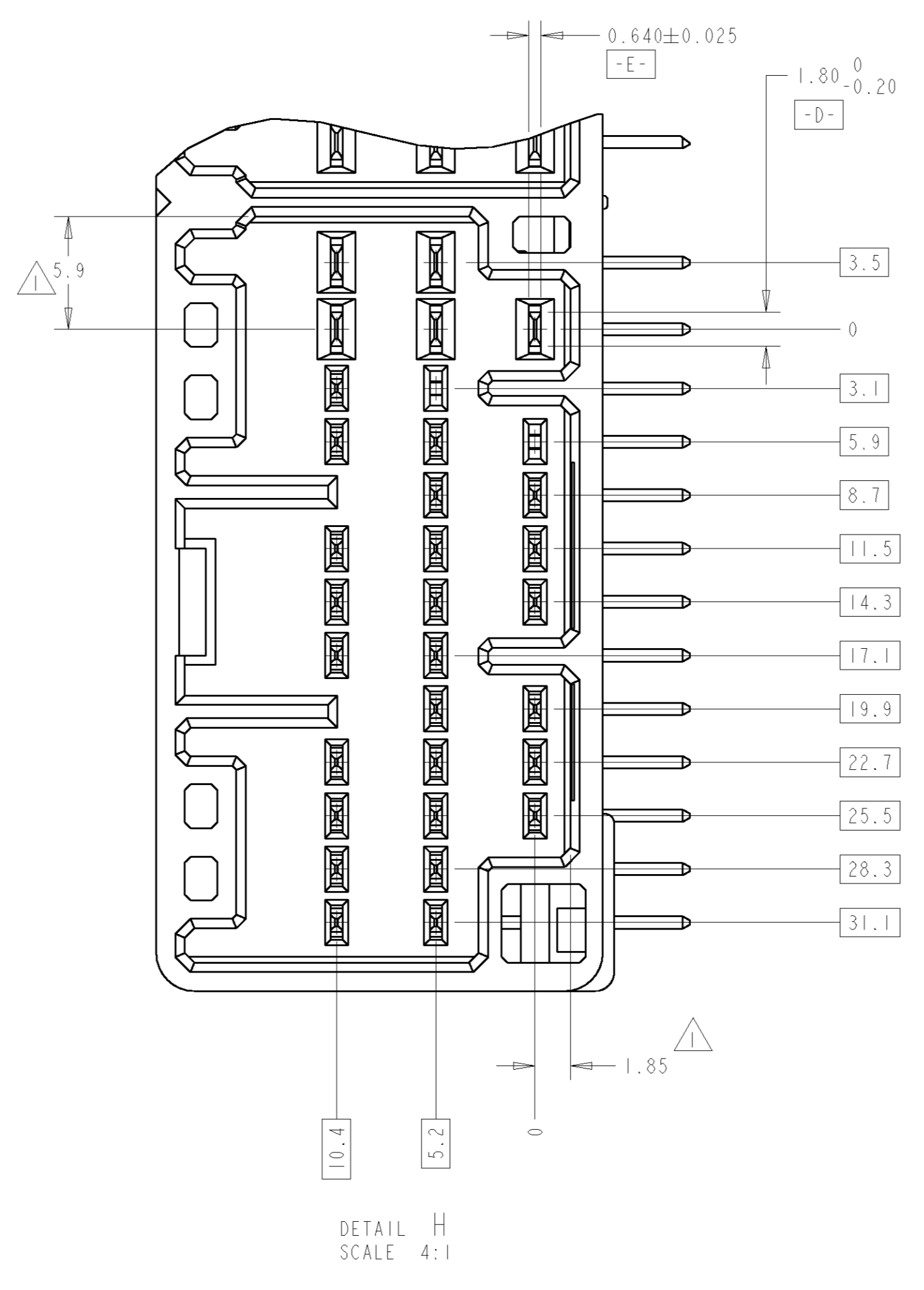
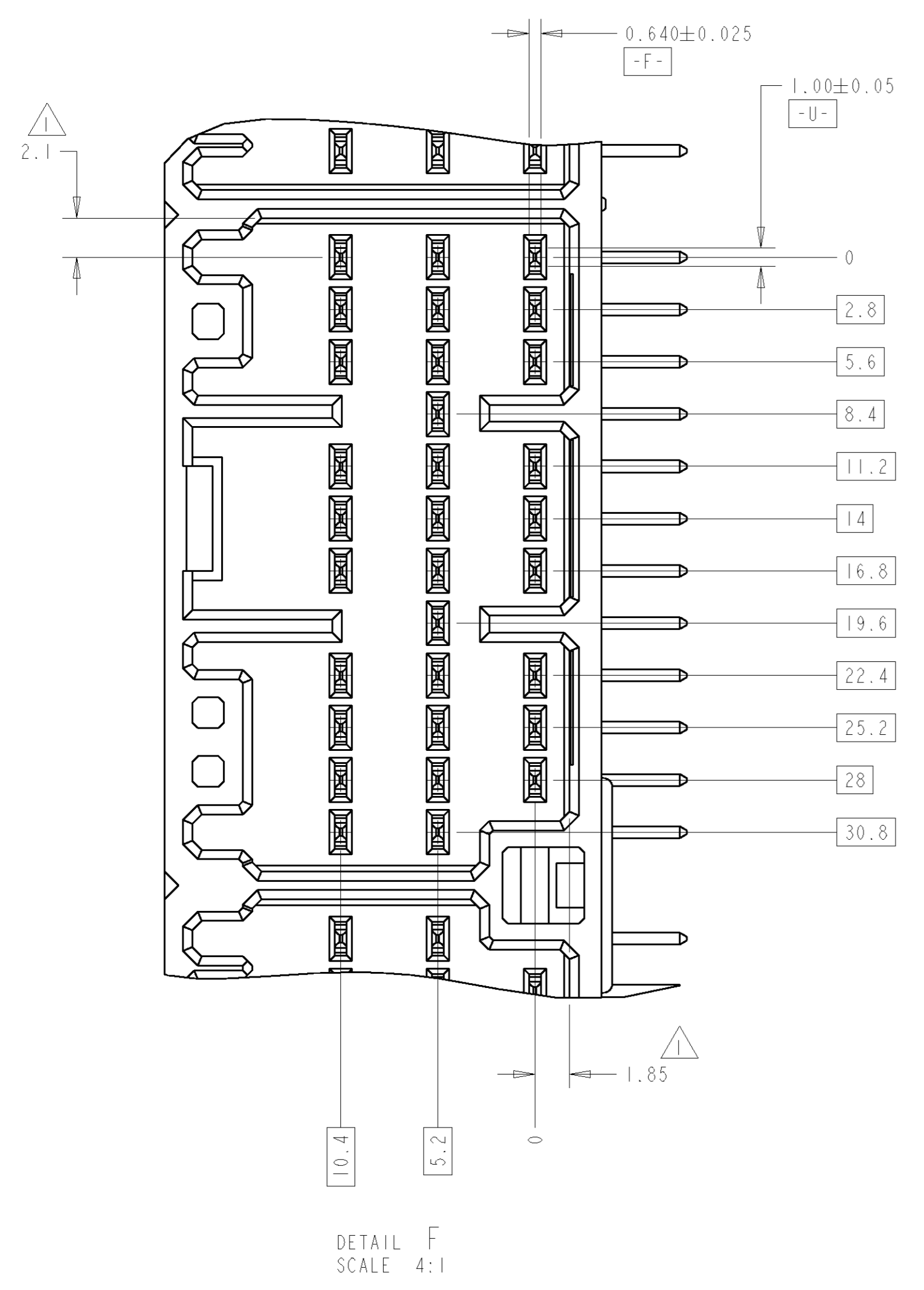
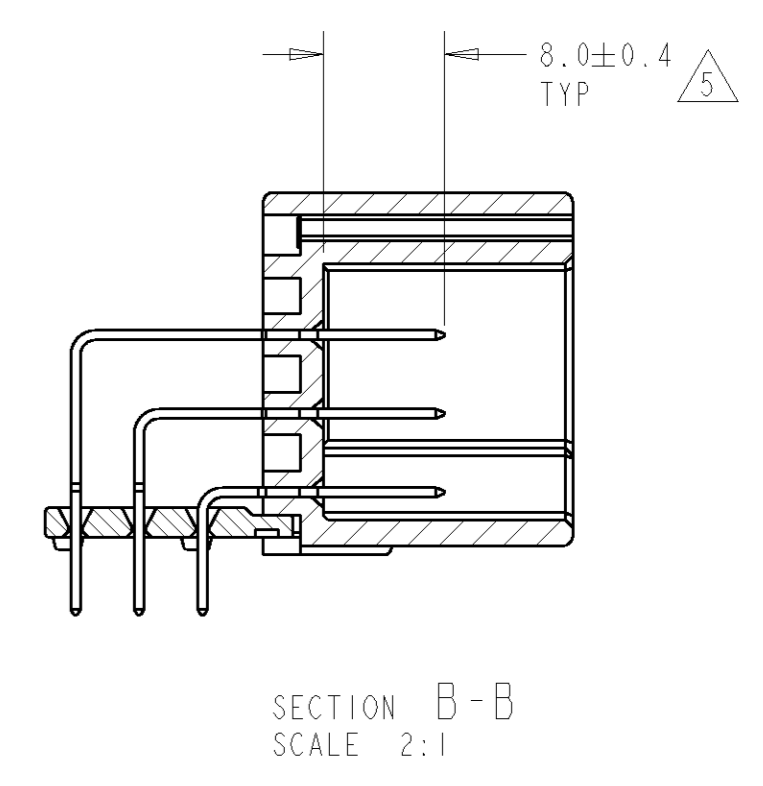
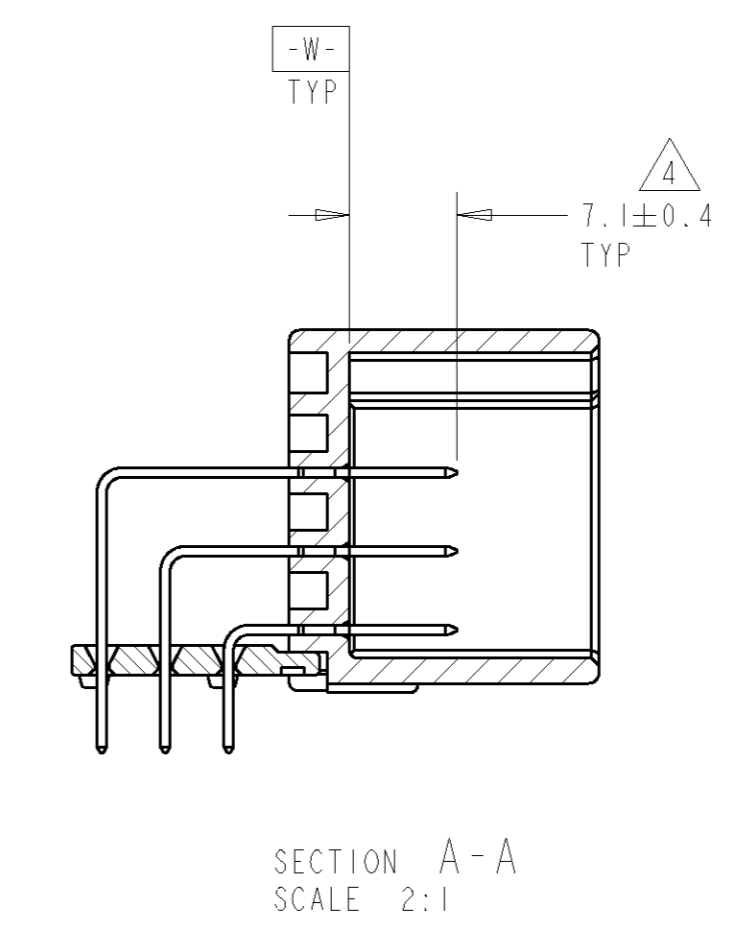
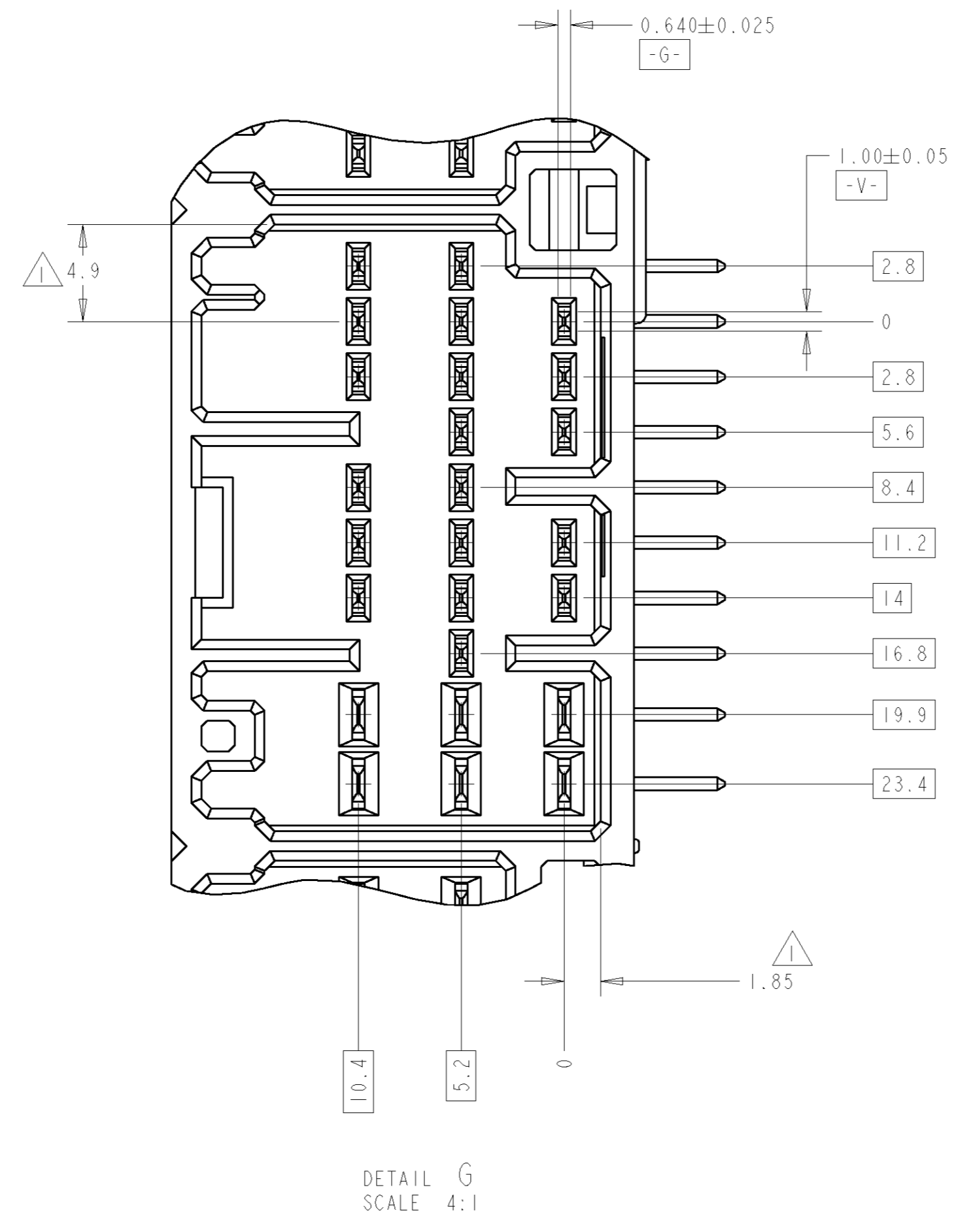
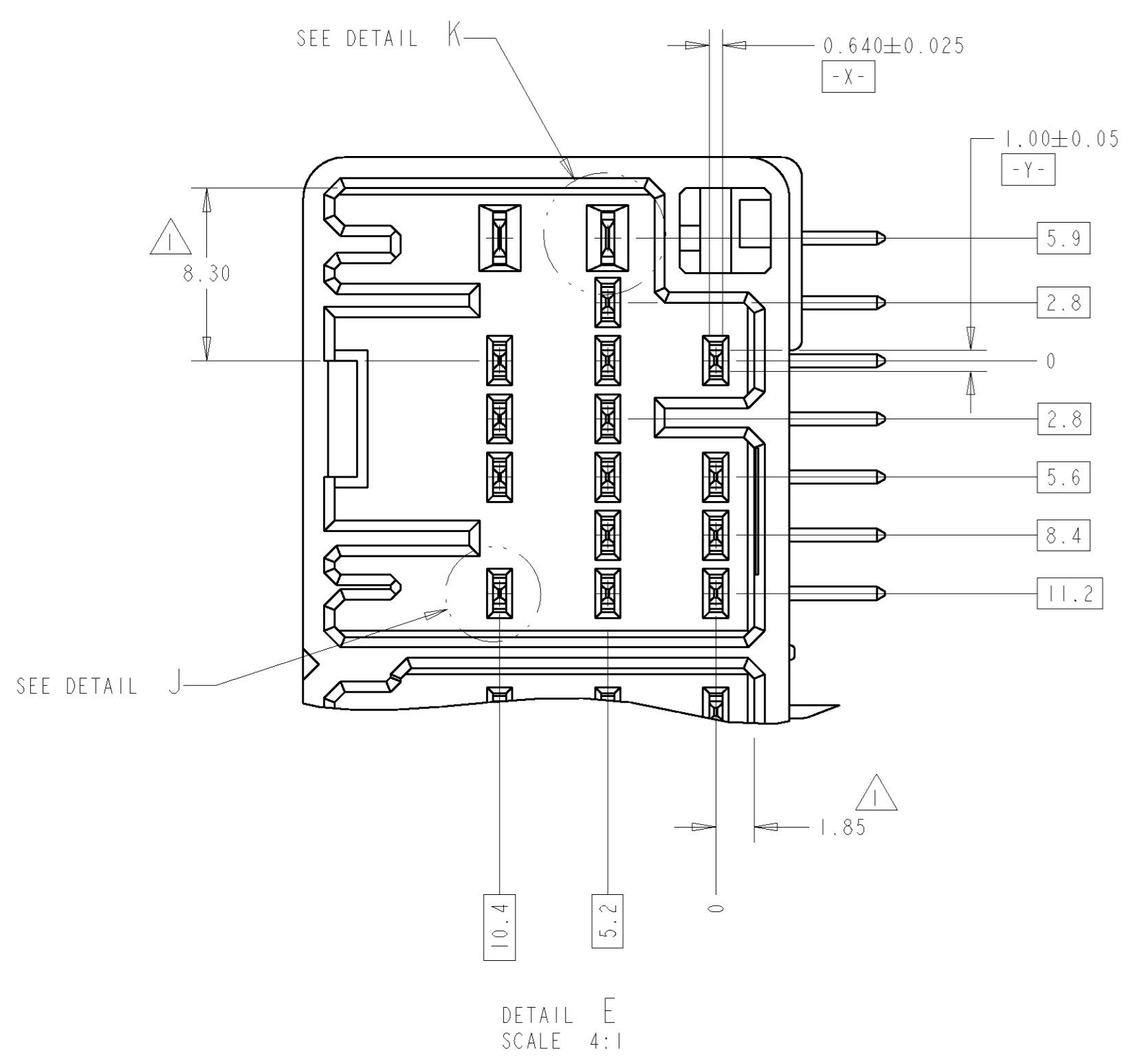
- ▲ MUST BE MEASURED BETWEEN \square -W- AND 2.00 MM.
- 2. MATING PLUG HOUSING PART NUMBERS: 179678, 179679, 179680, 179681.
- 3. RECOMMENDED MOUNTING SCREW: 3MM DIA, 6MM LG MAX. PAN HD, CLASS 2 TAPPING SCREW SPECIFIED IN JIS B1115, B112. TIGHTENING TORQUE: 0.4Nm (4Kg-cm) MAX.
- ▲4 FOR .040 TAB.
- ▲5 FOR .070 TAB.
- ▲6 MATING FINISH: .040 TABS - PREPLATED TIN
.070 TABS - PREPLATED TIN
- ▲7 DATE CODE BY HOT STAMP.

BRASS	▲6	PBT	GRAY	179686-6
MATERIAL	FINISH	MATERIAL	COLOR	PART NO
CONTACT		HOUSING		

DIMENSIONS: mm 9 PLC ±0.15 1 PLC ±0.15 2 PLC ±0.15 3 PLC ±0.15 4 PLC ±0.15 ANGLES ±°		TOLERANCES UNLESS OTHERWISE SPECIFIED: FINISH: ▲6		DWN: J MCNEAL 140C198 CRK: R SMITH 140C198 APVD: R SMITH 140C198		AMP Incorporated Harrisburg, PA 17105-3608	
MATERIAL: SEE TABLE		WEIGHT: 50.73 GRAM		NAME: ASSY, CAP HOUSING, 104 POSN 04011/07011 HD HYBRID I/O CONNECTOR		PRODUCT SPEC: 108-5441 APPLICATION SPEC: N/A	
CUSTOMER DRAWING		SCALE: 2:1		SHEET: 1 OF 2		REV: C3	

REV. NO.		DATE		BY		APPROVED	
FX	55						

REVISIONS			
NO.	DESCRIPTION	DATE	BY
1	SEE SHEET 1		



DIMENSIONS:		TOLERANCES UNLESS OTHERWISE SPECIFIED:		DRAWN: J. MCNEAL 140C198		tyco AMP Incorporated	
mm		9 PLC ±0.15		CHK: R. SMITH 140C198		Harrisburg, PA 17105-3608	
⌀		1 PLC ±0.15		APP'D: R. SMITH 140C198		NAME: ASSY, CAP HOUSING, 104 POSN	
MATERIAL:		3 PLC ±0.15		PRODUCT SPEC:		04011/07011 HD HYBRID I/O CONNECTOR	
FINISH:		4 PLC ±		APPLICATION SPEC:		SIZE: CAGE CODE: DRAWING NO. RESTRICTED TO	
		ANGLES ±		WEIGHT:		A 00779 C=179686	
		±1°		CUSTOMER DRAWING		SCALE: 2:1 SHEET 2 OF 2 REV: C3	