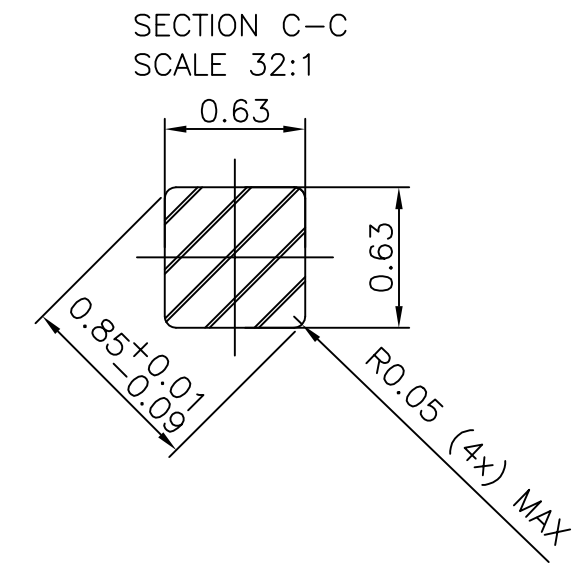
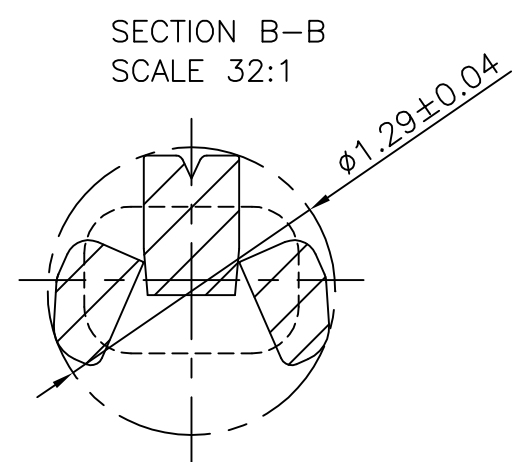
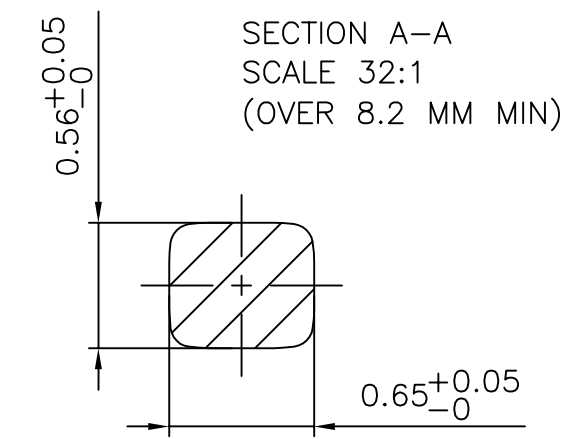
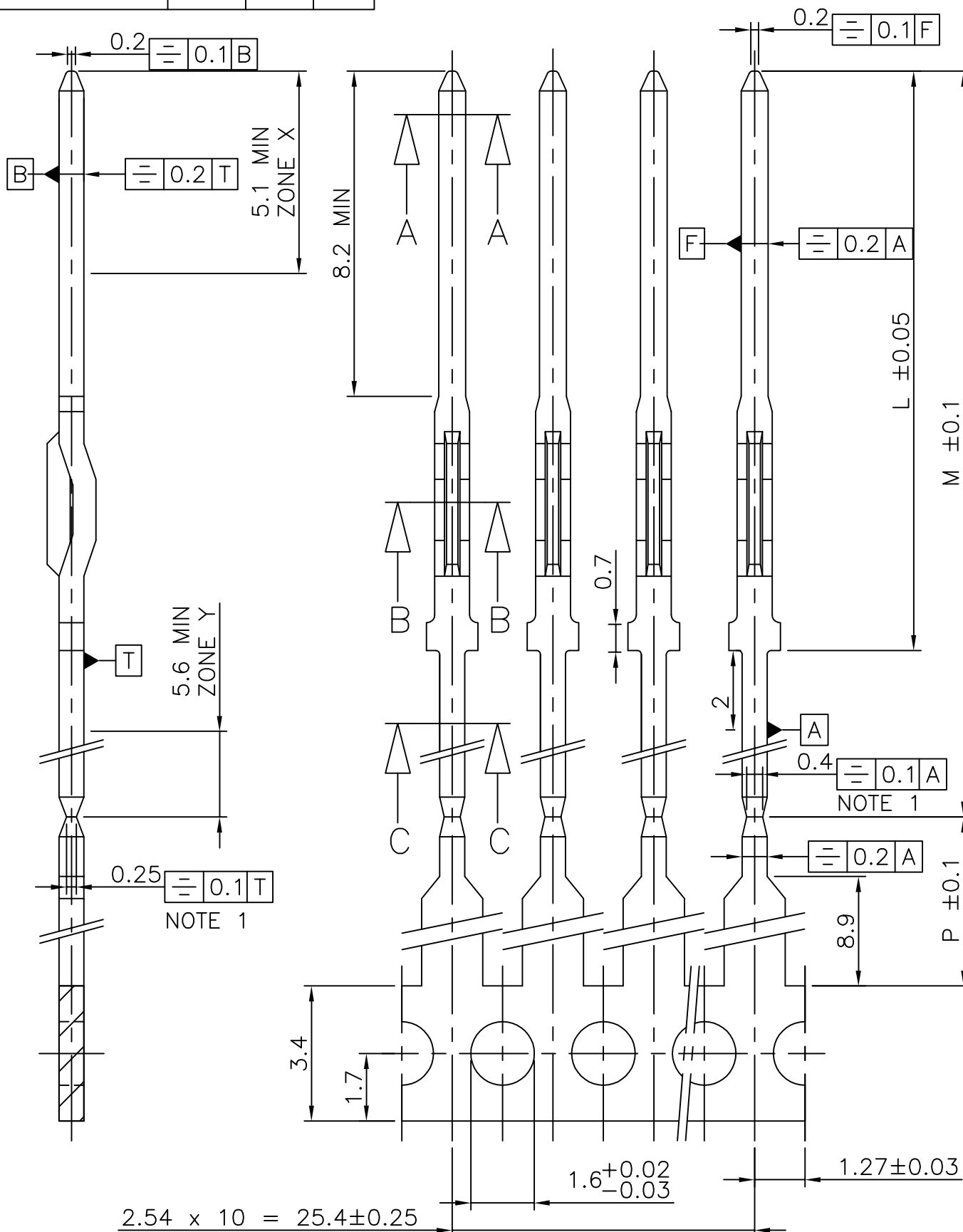


PRODUCT NUMBER	L	M	P
PINB164MC3--	14.55	16.4	17.5
PINB170MC3--	15.15	17.0	17.5
PINB234MC3--	14.55	23.5	10.4

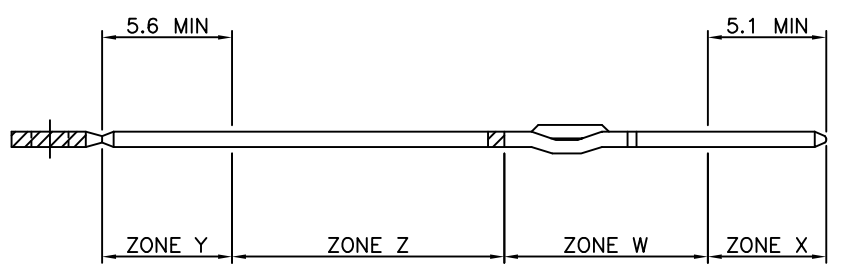


NOTES:
1 - ECCENTRICITIES ARE VALID AFTER REMOVAL OF CARRYING STRIP.
2 - PLATING: SEE SHEET 2.
3 - CONTACT MATERIAL: COPPER ALLOY

EUROPEAN PROJECTION

mat'l. code				surface		tolerance		projection	product family		
SEE NOTES				ISO 1302	<input checked="" type="checkbox"/> ISO 406	ISO 1101			PIN-B		
ltr	ecn no	dr	date	tolerances unless otherwise specified				mm	title		
A	F03021	DLE	2003-03-03	angles	0.1 ± 0.2		PRESS-FIT PIN				
B	I05-0243	MINI	2005-11-22	linear	0.01 ± 0.1		COMPLIANT VXX27635				
C	I06-0113	MINI	2006-07-11	±1'			scale 8:1				
D	I07-0130	KR	2007-10-04	dr	D.LEGRAND	2003-03-03		dwg no		sheet 1 of 2	size
				enr	F.TISSERAND	2003-03-03		VJW 55144		A3	
				chr	KESAVAN.R	2007-10-04					
				appd	RAKHEE GEORGE	2007-10-04		type		Product Customer Drawing	
sheet index	revision sheet	D	D								
		1	2								

CONTACT TYPE	PLATING CODE	PLATING				CLASS	PRODUCT NO. CUSTOMER CODE
		ZONE Y	ZONE Z	ZONE W	ZONE X		
PINB (DRY PRESS-FIT)	GY	0.8μ Au MIN. OVER 2μ Ni MIN. OR (0.065μ Au MIN. + 0.69μ PdNi MIN.) OVER 2μ Ni MIN.	2 μ Ni MIN	0.05-1 μ SnPb OVER 2 μ Ni MIN	0.8μ Au MIN. OVER 2μ Ni MIN. OR (0.065μ Au MIN. + 0.69μ PdNi MIN.) OVER 2μ Ni MIN.	GRADE 1	1AB001520017 (PINB234MC3GY)
	GR	2 μ Ni MIN	2 μ Ni MIN	0.05-1 μ SnPb OVER 2 μ Ni MIN	0.8μ Au MIN. OVER 2μ Ni MIN. OR (0.065μ Au MIN. + 0.69μ PdNi MIN.) OVER 2μ Ni MIN.	GRADE 1	
	GW	0.8μ Au MIN. OVER 2μ Ni MIN. OR (0.065μ Au MIN. + 0.69μ PdNi MIN.) OVER 2μ Ni MIN.	2 μ Ni MIN	0.05-1 μ SnPb OVER 2 μ Ni MIN	2 μ Ni MIN	GRADE 1	
	GC	0.4μ Au MIN. OVER 2μ Ni MIN. OR (0.065μ Au MIN. + 0.38μ PdNi MIN.) OVER 2μ Ni MIN.	2 μ Ni MIN	0.05-1 μ SnPb OVER 2 μ Ni MIN	0.4μ Au MIN. OVER 2μ Ni MIN. OR (0.065μ Au MIN. + 0.38μ PdNi MIN.) OVER 2μ Ni MIN.	GRADE 1	
	Z1	0.05-1 μ SnPb OVER 2 μ Ni MIN	0.05-1 μ SnPb OVER 2 μ Ni MIN	0.05-1 μ SnPb OVER 2 μ Ni MIN	0.4μ Au MIN. OVER 2μ Ni MIN. OR (0.065μ Au MIN. + 0.38μ PdNi MIN.) OVER 2μ Ni MIN.	GRADE 1	PINB164MC3Z1



NOTES :

- GOLD THICKNESS MEASURED WITH FISHERSCOPE X-RAY. MEASUREMENT OF GOLD THICKNESS WITHOUT CORRECTION FACTOR FOR THE GOLD DENSITY (DENSITY = 19.3)
- THE "LF" PRODUCT MEETS EUROPEAN UNION DIRECTIVES AND OTHER COUNTRY REGULATIONS AS DESCRIBED IN GS-22-008.
- "LF" SUFFIX TO PRODUCT NUMBER FOR LEAD FREE/ROHS COMPATIBLE VERSION.
- FOR "LF" PRODUCTS SnPb PLATING IS REPLACED BY MATTE TIN. NO CHANGE IN PLATING THICKNESS AND UNDERCOAT PLATING.
- FOR "LF" PRODUCTS LEAD FREE OR ROHS DIRECTIVE LABELLING TO BE PROVIDED AS PER PACKAGING SPECIFICATION GS-14-920.



Copyright FCI

mat'l. code		surface		tolerance		projection		product family	
-		ISO 1302		ISO 406 ISO 1101		mm		PIN-B	
ltr		ecn no		dr		date		title	
A		F03021		DLE		2003-03-03		PLATING TABLE	
B		I05-0243		MINI		2005-11-22		SYSTEM 12 VXX27635	
C		I06-0113		MINI		2006-07-11			
D		I07-0130		KR		2007-10-04		dwg no	
				D.LEGRAND		2003-03-03		sheet 2 of 2	
				enfr		F.TISSERAND		2003-03-03	
				chr		KESAVAN.R		2007-10-04	
				appd		RAKHEE GEORGE		2007-10-04	
sheet index		revision sheet						type Product Customer Drawing	