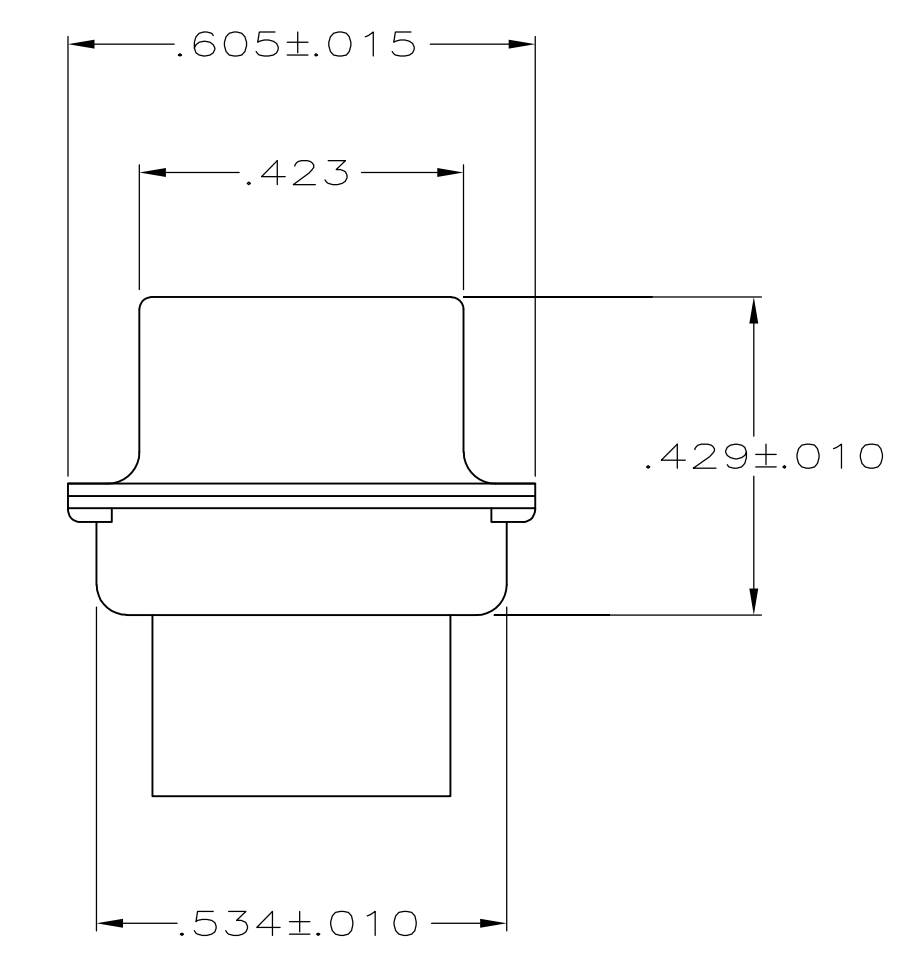
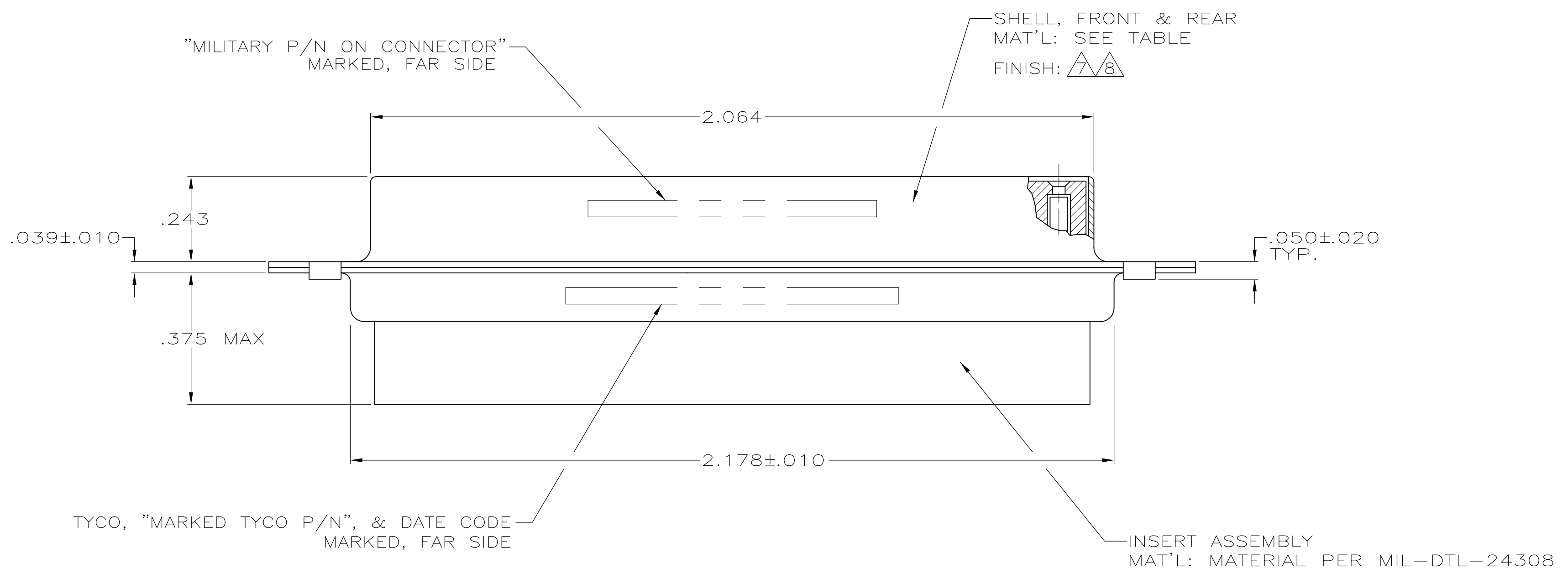
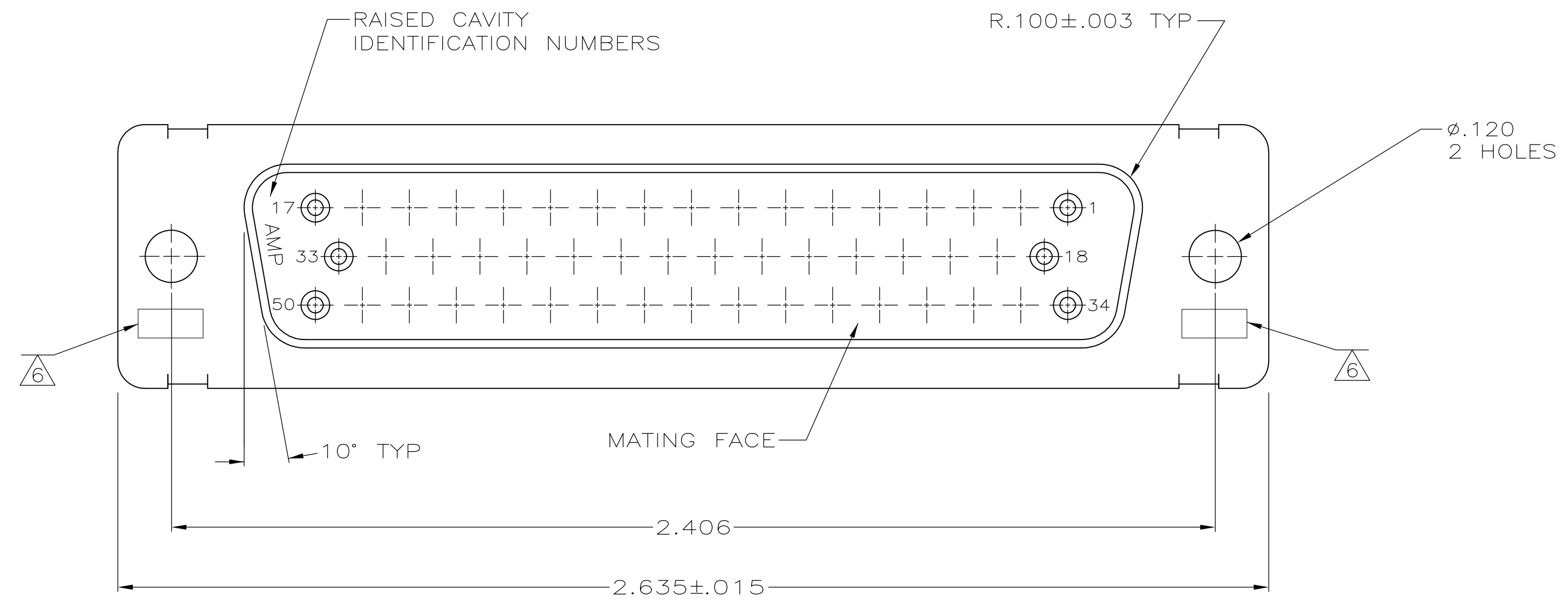


LOC		DIST		REVISIONS			
P	LTR	DESCRIPTION	DATE	DNW	APVD		
R		REVISED PER ECO-15-016062	10NOV15	KG	CD		

- THIS RCPT. IS DESIGNED TO CONFORM TO THE LATEST ISSUE OF MIL-C-24308.
  - MAX WIRE INSUL TO BE USED WITH THIS RCPT IS .068 DIA.
  - STAINLESS STEEL RETENTION CLIPS ARE INCLUDED IN INSERTS.
  - THIS RCPT. WILL ACCEPT SIZE 20 SOCKET CONTACT M39029/63-368 OR ANY TYCO HD-20 SOCKET CONTACT. CONTACTS ORDERED SEPARATELY.
- ⑤ TYCO PART NO. MARKED ON CONNECTOR REPRESENTS KIT NUMBER WITH CONTACTS.
  - ⑥ UL/CSA DESIGNATION STAMPED IN THIS AREA, OPTIONAL.
  - ⑦ FINISH: CADMIUM PER QQ-P-416.
  - ⑧ FINISH: BRIGHT TIN PER ASTM-B-545 .000400-.000550 THK OVER COPPER PER AMS2418 .000050 MIN THK.



-	-	205169-4	-	⑧	STEEL PER ASTM-A-109	205169-4
SUPSD BY 206805-2	-	-	-	-	BRASS	205169-2
M24308/2-285F	M24308/2-5F	205563-2	⑦	⑦	STEEL PER ASTM-A-109	205169-1
MILITARY P/N ON PACKAGE	MILITARY P/N ON CONNECTOR	TYCO P/N ON CONNECTOR	REMARKS	SHELL FINISH	SHELL MAT'L	PART NO.

THIS DRAWING IS A CONTROLLED DOCUMENT.

MANJUNATH G. M. 27-May-15  
 CHARLES THOMAS 27-May-15  
 CHARLES THOMAS 27-May-15

APPROVED: CHARLES THOMAS  
 PRODUCT SPEC

APPLICATION SPEC

SIZE: A1  
 CAGE CODE: 00779  
 DRAWING NO: 205169

RESTRICTED TO: -

CUSTOMER DRAWING SCALE: 4:1 SHEET: 1 OF 1 REV: R