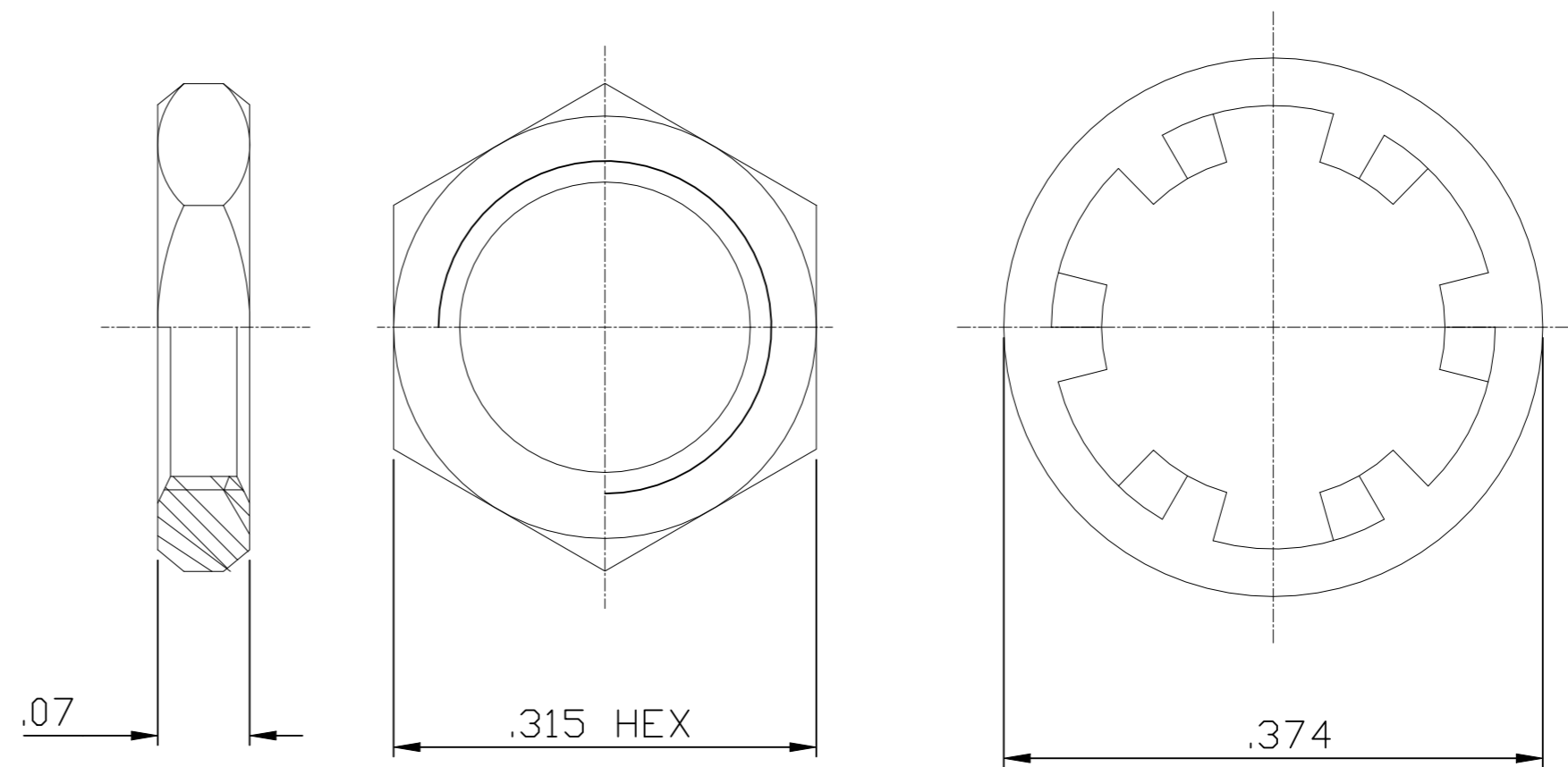
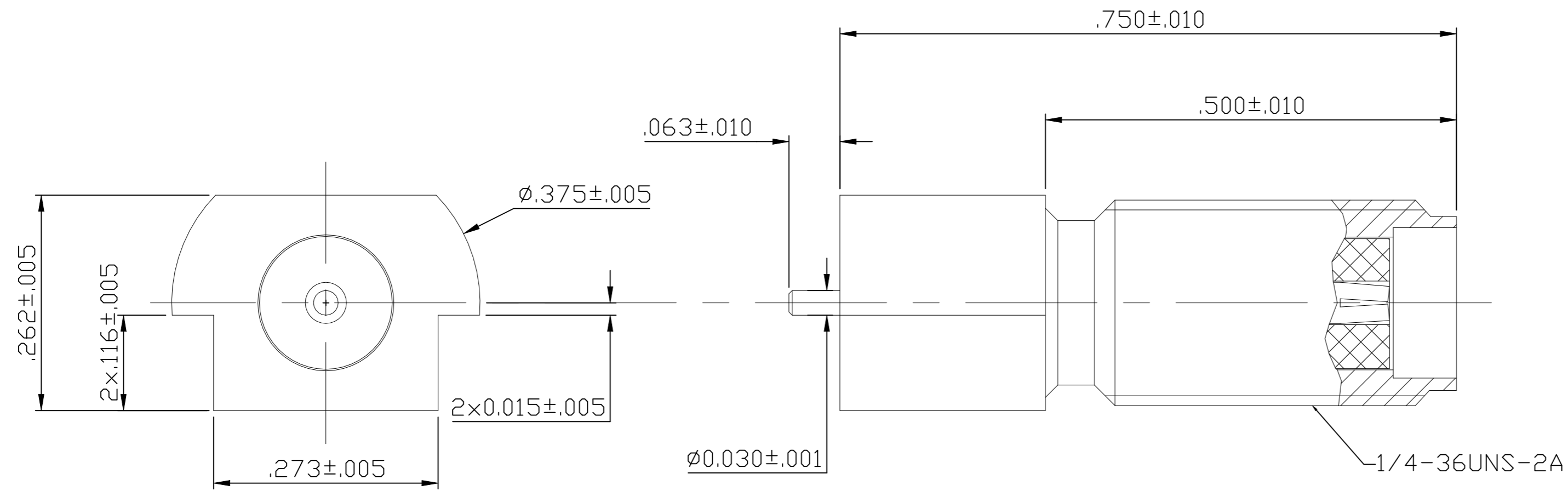


REVISIONS					
P	LTR	DESCRIPTION	DATE	DWN	APVD
A1		REVISED PER ECR-21-102587	27APR2021	ED	WH



NOTES:

- 1 PACK IN ACCORDANCE WITH TE SPEC 107-3275
- 2 ALL DIMENSIONS ARE NOMINAL FOR REFERENCE ONLY UNLESS OTHERWISE STATED
- 3 GOLD PLATING .00001 MIN OVER NICKEL PLATING .00005 MIN OVER COPPER PLATING .00005 MIN
- 4 GOLD PLATING .00005 MIN OVER NICKEL PLATING .00005 MIN OVER COPPER PLATING .00005 MIN
- 5 FLASH GOLD .000001 MIN OVER NICKEL PLATING .00005 MIN OVER COPPER PLATING .00005 MIN

ELECTRICAL	MECHANICAL	ENVIRONMENTAL
Impedance (Ohm) _____50	Interface Dimension MIL-STD-348B Fig. _____310-2	TEMPERATURE RANGE _____ -65°C TO + 165°C
Frequency Range (GHz) _____DC to 18GHz	Recommended Coupling Torque _____7 to 10 In-Lbs	THERMAL SHOCK _____MIL-STD-202, METH.107, COND.B
Voltage Rating (Peak) _____@ Sea Level 335 V RMS	Force to Engage and Disengage (In/lbs) _____2.0 MAX	CORROSION _____MIL-STD-202, METH.101, COND.B
Insulation Resistance (MIN.) _____5000 M ohms	Center Contact Captivation Axial (Lbs) _____6.0 Radial (In/Oz) _____N/A	VIBRATION _____MIL-STD-202, METH.204, COND.D
Contact Resistance (Milliohms MAX) Center Contact _____3.0 Outer Contact _____2.0	Cable Retention Axial (Lbs) _____N/A	SHOCK _____MIL-STD-202, METH.213, COND.I
Dielectric Withstand Voltage: _____750 V RMS Max	Mating cycles _____500 cycles	MOISTURE RESISTANCE _____MIL-STD-202, METH.106.
Insertion Loss : _____0.1*SQRT(F) dB		ROHS _____COMPLIANT
VSWR: _____1.3 MAX (DC-18GHz)		
RF leakage: _____N/A		
3rd Intermodulation: _____N/A		

QTY	PER ASSY	DESCRIPTION	ITEM
1	-	BRASS WASHER	5
1	-	BRASS NUT	4
1	1	BRASS OUTER CONTACT	3
1	1	PTFE INSULATION	2
1	1	BeCu CENTER CONTACT	1

THIS DRAWING IS A CONTROLLED DOCUMENT.

DWN	ED	17DEC2020
CHK	RZ	17DEC2020
APVD	WH	17DEC2020

PRODUCT SPEC: 108-160152  
APPLICATION SPEC: -

WEIGHT: 3.8g

CUSTOMER DRAWING

SCALE: 10:1 SHEET: 1 OF 1 REV: A1

TE Connectivity  
SMA JACK 50 OHM  
SURFACE MOUNT END LAUNCH  
DC-18GHz

SIZE: A2 CAGE CODE: 00779 DRAWING NO: C=2081897