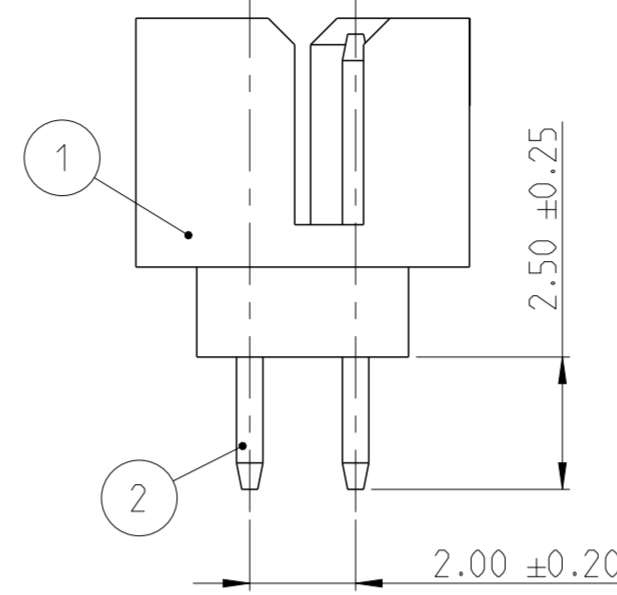
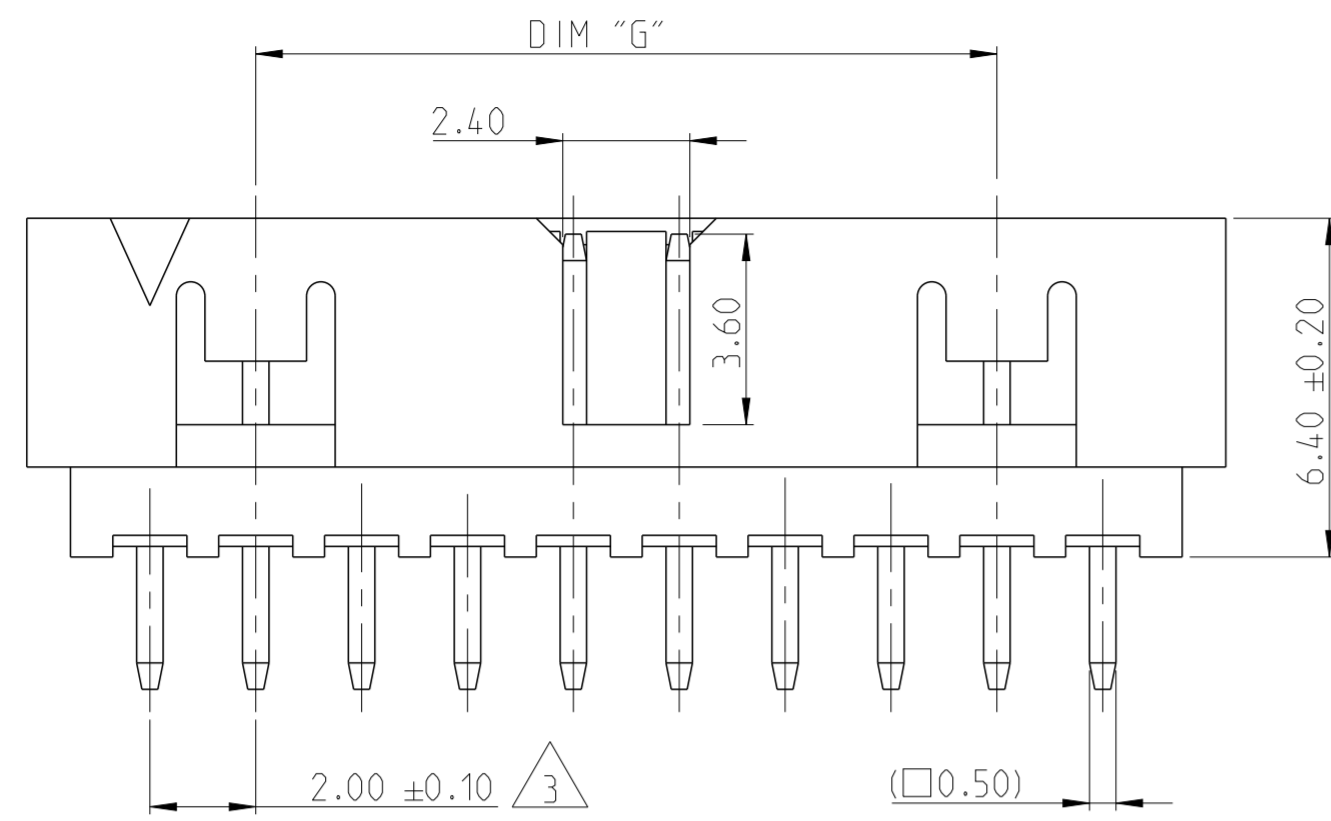
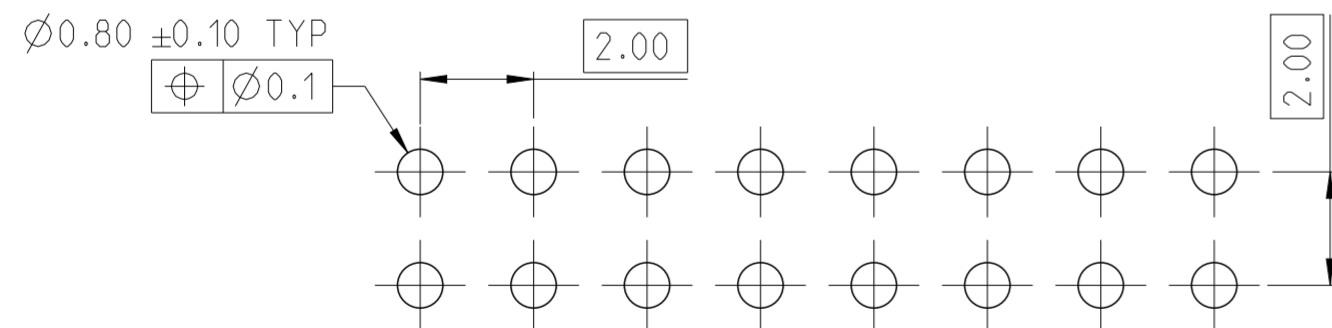
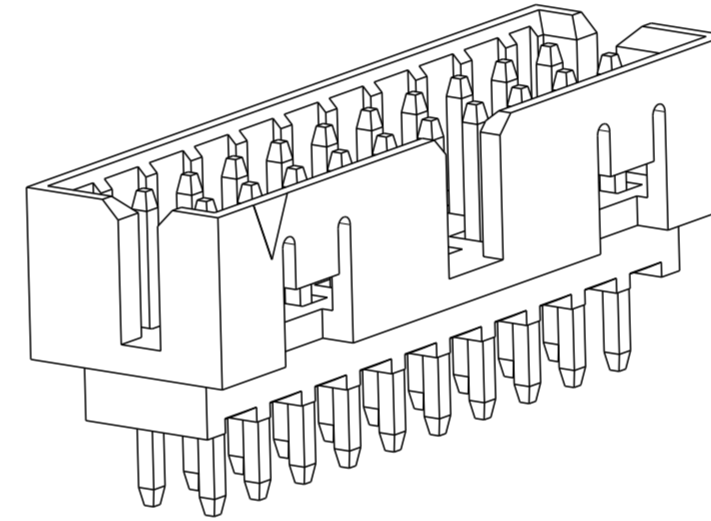
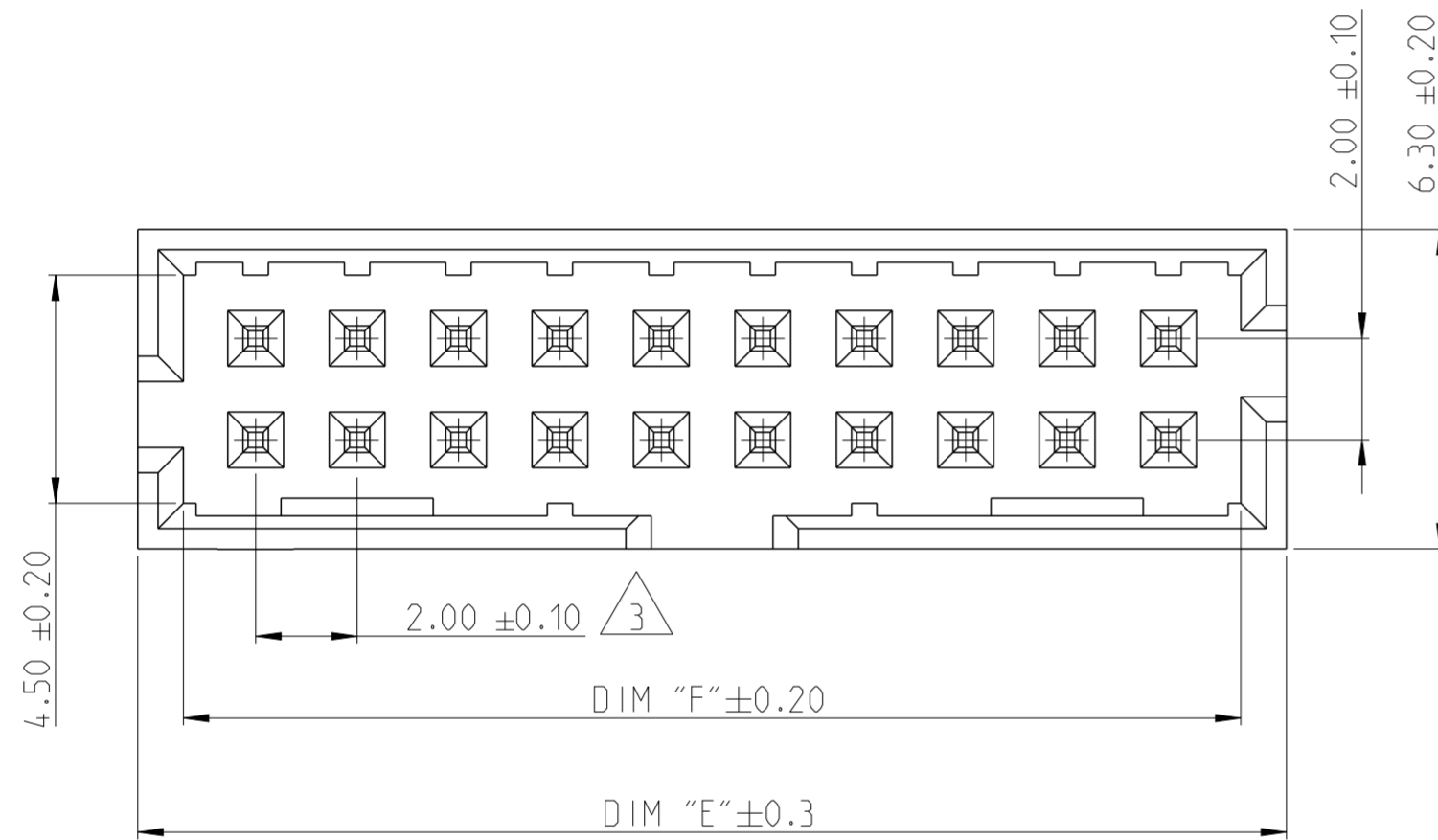


P	LTR	DESCRIPTION	DATE	DWN	APVD
	A	RELEASE TO PRODUCTION	09DEC2019	AY	PS

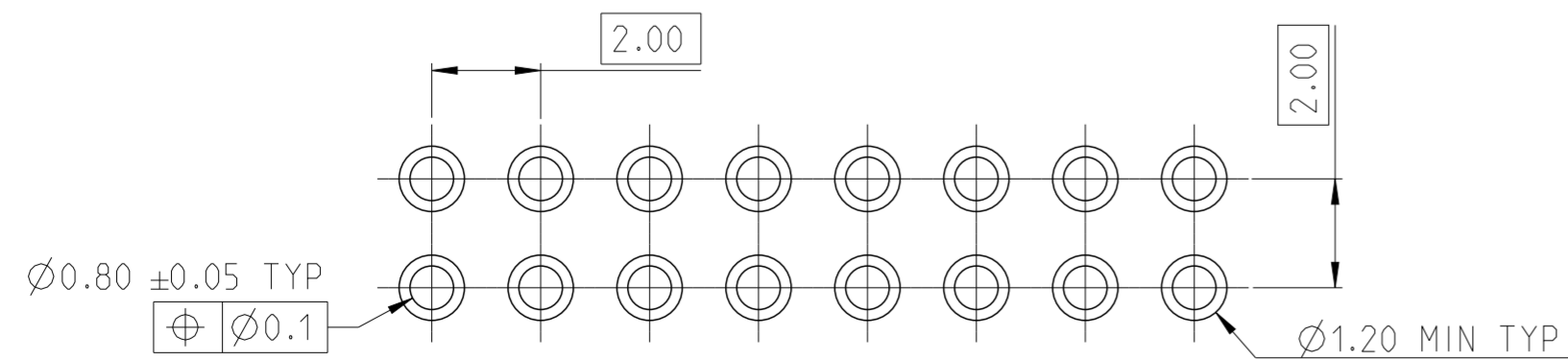


NOTES:

- MATERIAL
HOUSING : HIGH TEMPERATURE THERMOPLASTIC, UL94-V0; COLOR- BLACK
POST : COPPER ALLOY
FINISH :
MATING SIDE: MIN. 0.1 μm GOLD OVER NICKEL UNDER PLATING.
SOLDER SIDE: MIN. 2.0 μm TIN OVER NICKEL UNDER PLATING.
 - PACKAGING: TUBE
- △ TOLERANCE NOT CUMULATIVE.



RECOMMENDED PCB HOLE PATTERN FOR THROUGH HOLE WAVE



RECOMMENDED PCB HOLE PATTERN FOR THROUGH HOLE REFLOW /PIN-IN-PASTE

2-2842236-0 AS SHOWN

44	50.85	52.65	50	5-2842236-0
38	44.85	46.65	44	4-2842236-4
34	40.85	42.65	40	4-2842236-0
28	34.85	36.65	34	3-2842236-4
24	30.85	32.65	30	3-2842236-0
20	26.85	28.65	26	2-2842236-6
18	24.85	26.65	24	2-2842236-4
14	20.85	22.65	20	2-2842236-0
10	16.85	18.65	16	1-2842236-6
8	14.85	16.65	14	1-2842236-4
DIM "G"	DIM "F"	DIM "E"	POS.	TE PN.

THIS DRAWING IS A CONTROLLED DOCUMENT.

DWN	12NOV2019
CHK	25NOV2019
APVD	27NOV2019

STE TE Connectivity

NAME AMPMODU 2mm SHROUDED HEADER, DUAL ROW, VERTICAL TH. 0.1 Au, TUBE

SIZE CAGE CODE DRAWING NO RESTRICTED TO

A2 00779 C-2842236 -

CUSTOMER DRAWING SCALE 5:1 SHEET 1 OF 1 REV A

CONTACT PIN	2
HOUSING	1
DESCRIPTION	ITEM NO.

DIMENSIONS:	TOLERANCES UNLESS OTHERWISE SPECIFIED:
mm	
0 PLC	±
1 PLC	±
2 PLC	±0.25
3 PLC	±
4 PLC	±
ANGLES	±2°
FINISH	-

PRODUCT SPEC	108-64040
APPLICATION SPEC	114-32259
WEIGHT	-