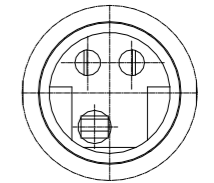
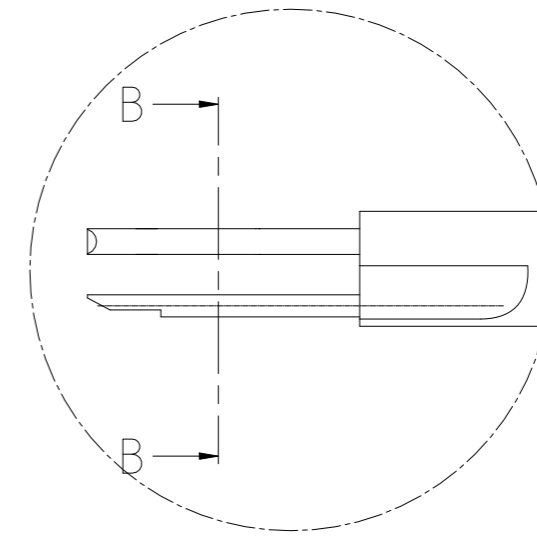
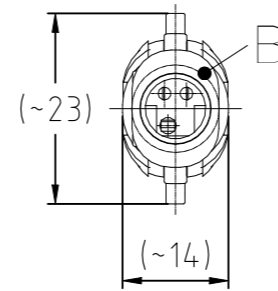
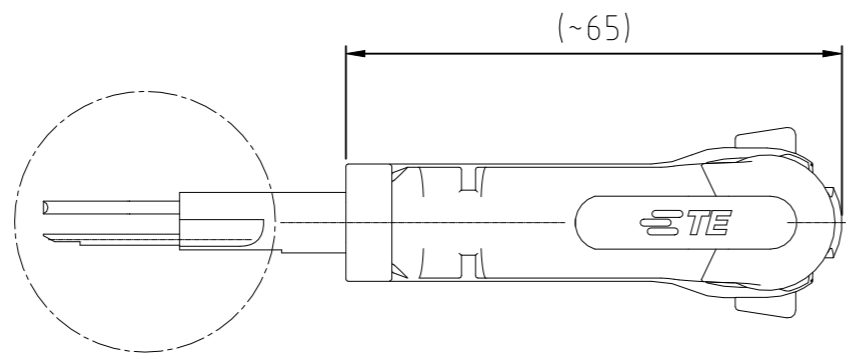


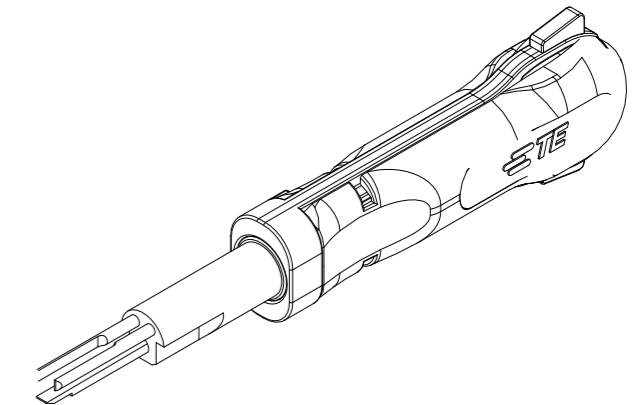
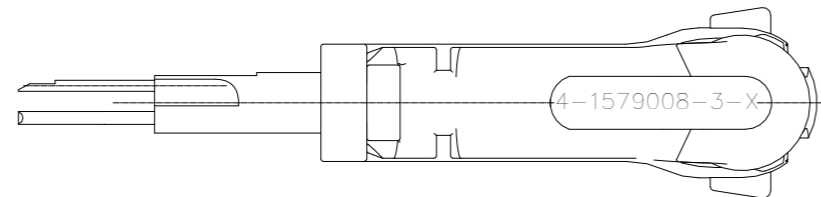
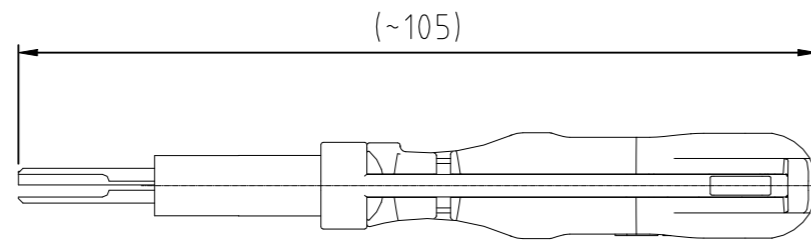
P	LTR	DESCRIPTION	DATE	DWN	APVD
	B	ECR-23-170729	16MAR2023	DK	MB



A

A
2:1

B
2:1

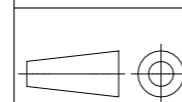


FOR CONTACTS / HOUSINGS:

SPT (in relay holder)

THIS DRAWING IS A CONTROLLED DOCUMENT.

DIMENSIONS:
mm



TOLERANCES UNLESS OTHERWISE SPECIFIED:

0 PLC ± -
1 PLC ± -
2 PLC ± -
3 PLC ± -
4 PLC ± -
ANGLES ± -
FINISH

MATERIAL

DWN 06.11.2006

m.pearson

CHK 26AUG2016

G.Stegmayer

APVD 26AUG2016

G.Stegmayer

PRODUCT SPEC

APPLICATION SPEC

WEIGHT

0,010kg

CUSTOMER DRAWING

SCALE

1:1

SHEET

1 OF 1

REV

B



TE Connectivity

NAME

EXTRACTION TOOL
Entriegelungswerkzeug

SIZE

A3

CAGE CODE

00779

DRAWING NO

C-4-1579008-3

RESTRICTED TO

-