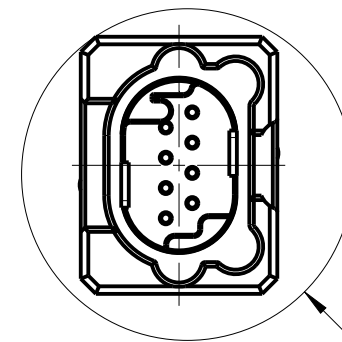
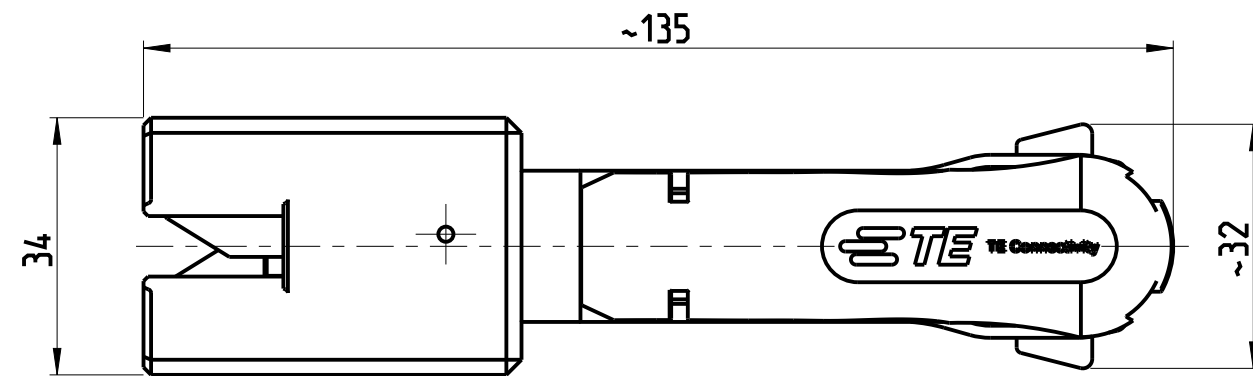
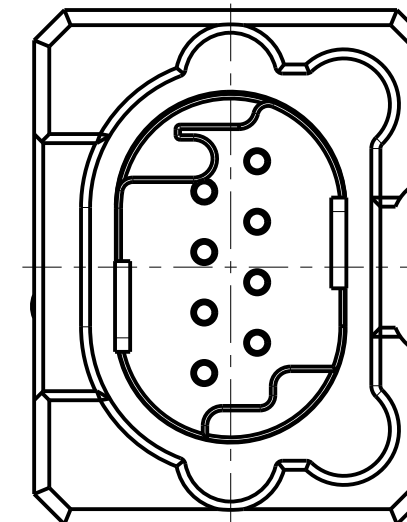


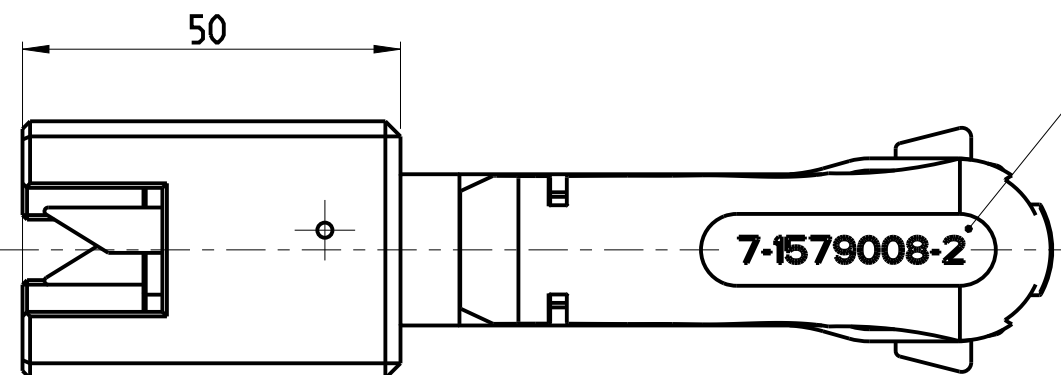
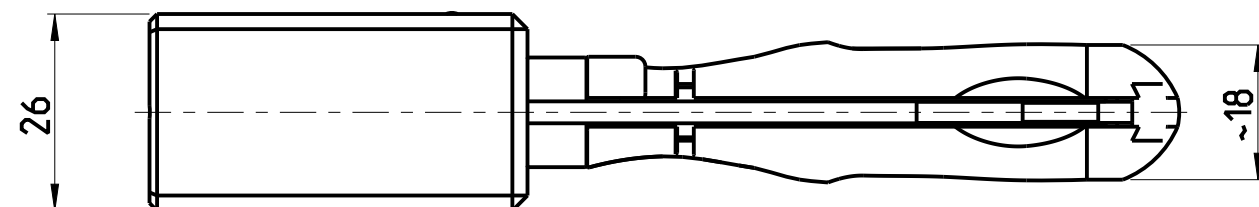
P	LTR	DESCRIPTION	DATE	DWN	APVD
A2	ECR-17-010394		18JUL2017	MG	BM
A3	ECR-21-001695		19FEB2021	PNT	GS



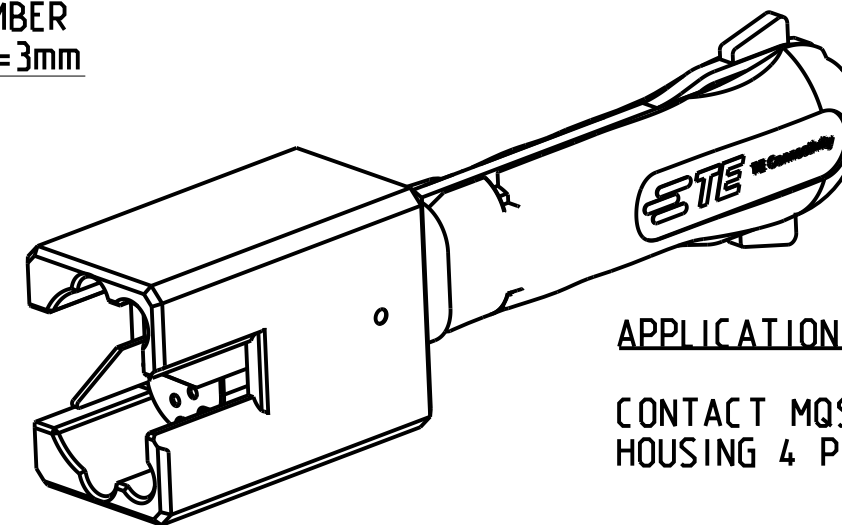
A



A  
2:1




ITEM NUMBER  
Art-Nr H=3mm



APPLICATION RANGE / Anwendungsbereich:

CONTACT MQS: 962886, 965908  
HOUSING 4 Pos. MQS: 929342

THIS DRAWING IS A CONTROLLED DOCUMENT.		DWN S. Samstag 05JUN2008	 TE Connectivity	
DIMENSIONS: mm		CHK G. Stegmayer 05JUN2008		
TOLERANCES UNLESS OTHERWISE SPECIFIED:		APVD G. Stegmayer 05JUN2008	NAME LOCKING TOOL Entriegelungswerkzeug	
0 PLC    ± 1 PLC    ± 2 PLC    ± 3 PLC    ± 4 PLC    ± ANGLES    ±		PRODUCT SPEC -	RESTRICTED TO	
MATERIAL		APPLICATION SPEC -	SIZE A3	CAGE CODE 00779
FINISH -		WEIGHT 0.150kg	DRAWING NO C-7-1579008-2	
CUSTOMER DRAWING			SCALE 1:1	SHEET 1 OF 1
			REV A3	