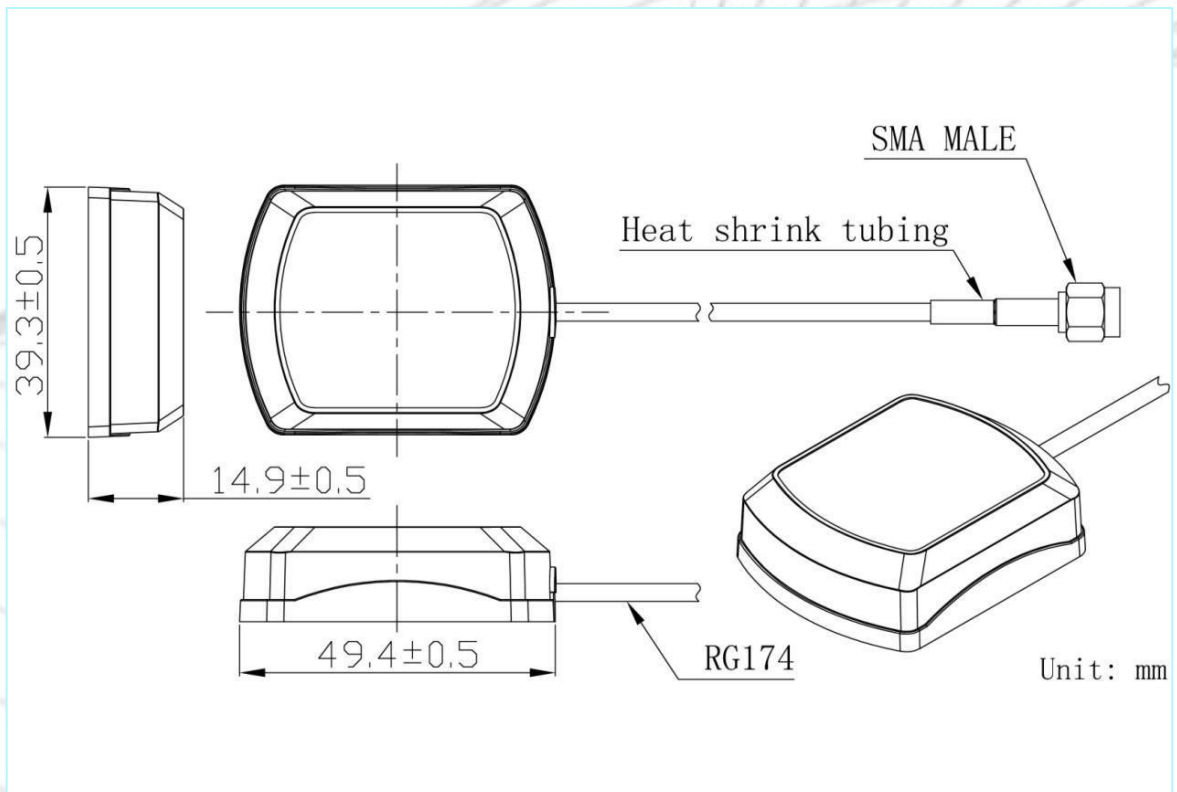


## GPS Active Antenna

AN\_GPS\_A001\_MMCX



### Mechanical Dimension



## GPS Active antenna

### Specifications

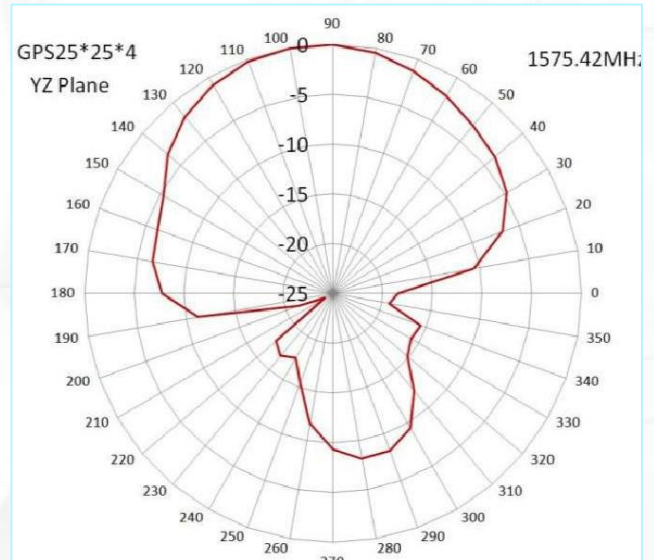
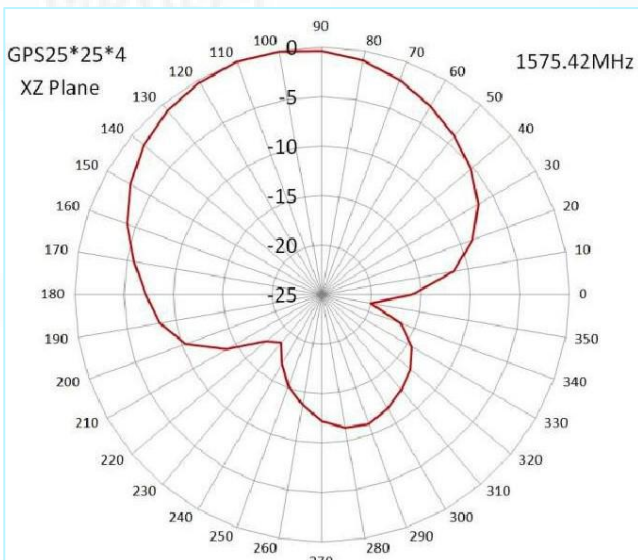
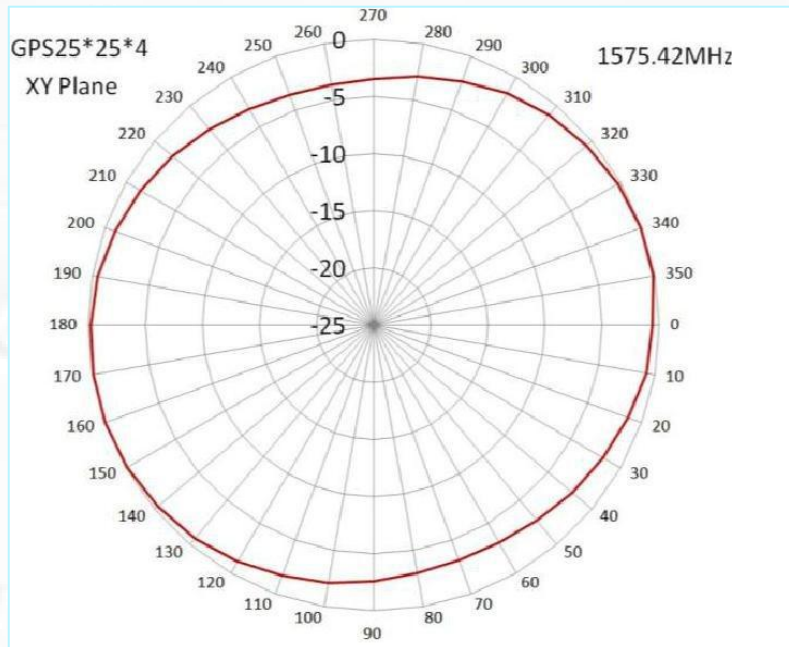
| Item          | Specifications           |  |
|---------------|--------------------------|--|
| Antenna       | Center Frequency         | 1575.42 ± 3MHz                         |
|               | Band Width               | CF ± 5MHz                              |
|               | Polarization             | RHCP                                   |
|               | Gain                     | 2dBic (Zenith)                         |
|               | V.S.W.R                  | < 1.5                                  |
|               | Impedance                | 50Ω                                    |
|               | Axial Ratio              | 3dB (max)                              |
|               | Dimension                | 39.3*49.4*14.9mm                       |
| LNA           | Gain                     | 28 ± 2dB                               |
|               | Noise Figure             | < 1.5dB                                |
|               | Filter Insertion Loss    | < 3dB                                  |
|               | Ex-band Attenuation      | 12dB@CF+50MHz/16dB@CF-50MHz            |
|               | Supply Voltage           | 2.2~5V DC                              |
|               | Current Consumption      | < 15mA                                 |
|               | V.S.W.R                  | < 2.0                                  |
| Mechanical    | Cable                    | RG174                                  |
|               | Connector                | MMCX                                   |
|               | Radome Material          | ABS                                    |
|               | Mounting Method          | Magnet                                 |
| Environmental | Operating Temperature    | -40°C ~ +85°C                          |
|               | Relative Humidity        | Up to 95%                              |
|               | Ingress Protection       | IP66                                   |
|               | Vibration                | 10 to 55Hz with 1.5mm amplitude 2hours |
|               | Environmentally Friendly | ROHS Compliant                         |



**MASWELL**  
— 迈斯维 —

## GPS Active antenna

### Radiation Patterns



Suzhou maswell communication technology co. Ltd

Add: Floor 3, Building 6, No. 88 Zhenbei Road, High-tech District, Suzhou 215153, Jiangsu, China

Http://www.maswelltech.com

E-mail: Sales@maswelltech.com