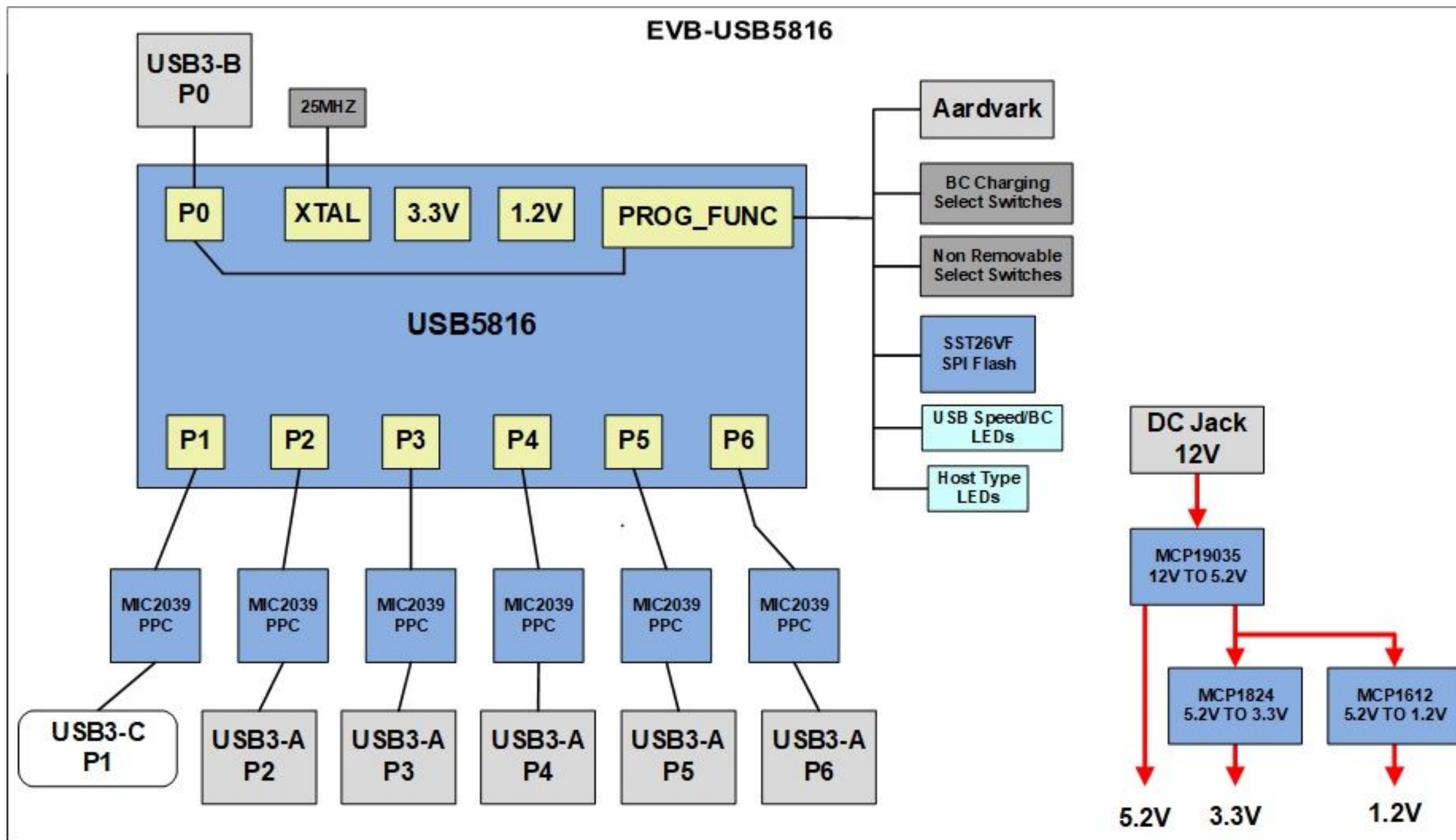


Sheet	Description
1	Table of Contents, Revision History, Block Diagram
2	USB58016, SST26VF SPI Flash
3	USB Type-C Downstream Port 1
4	USB Type-A Downstream Ports 2-6
5	DC Regulators

Revision History			
Revision	Date	Revision Summary	Author
A	11/7/2018	Initial Schematic for Review	A. Rogers
1.0	6/7/2019	Minor Reworks based on Compliance Test Results	M. Davis
1.1	1/7/2020	Minor Schematic Changes to reflect Silicon Revision C	M. Davis



LABEL1
02- -R1
JIT
LABEL Need Help Small

Drawn By: Mick Davis
Engineer: Mick Davis

PartNumber: EVB-USB5816 Project Title: EVB-USB5816C Variant: [No Variations]

Sheet Title: Table of Contents, Revision History, Block Diagram

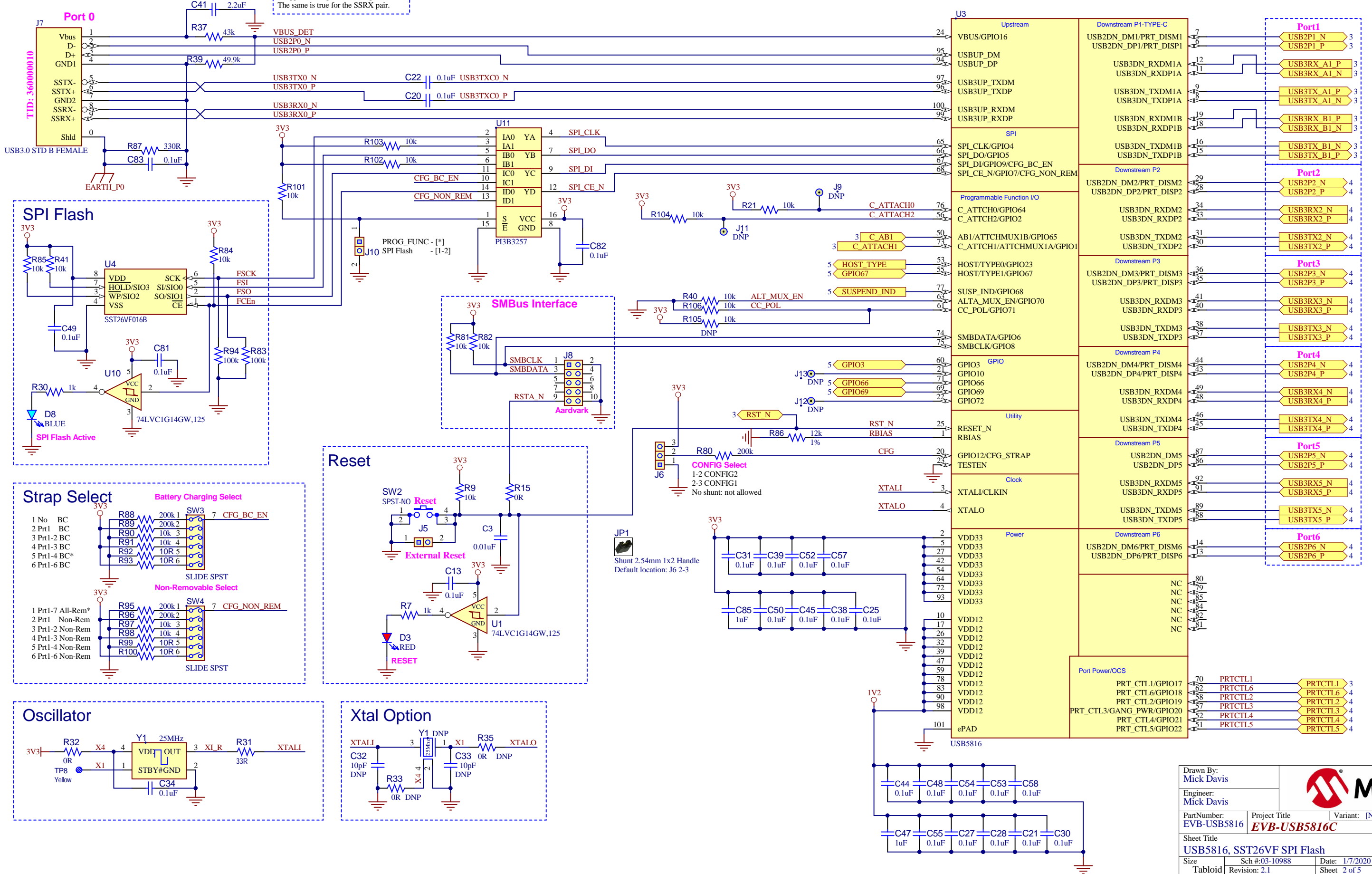
Size: Tabloid Sch #: 03-10988 Date: 1/7/2020 1:53:15 PM
Revision: 2.1 Sheet 1 of 5

File: 1-TOC.SchDoc

Designed with Altium Altium.com

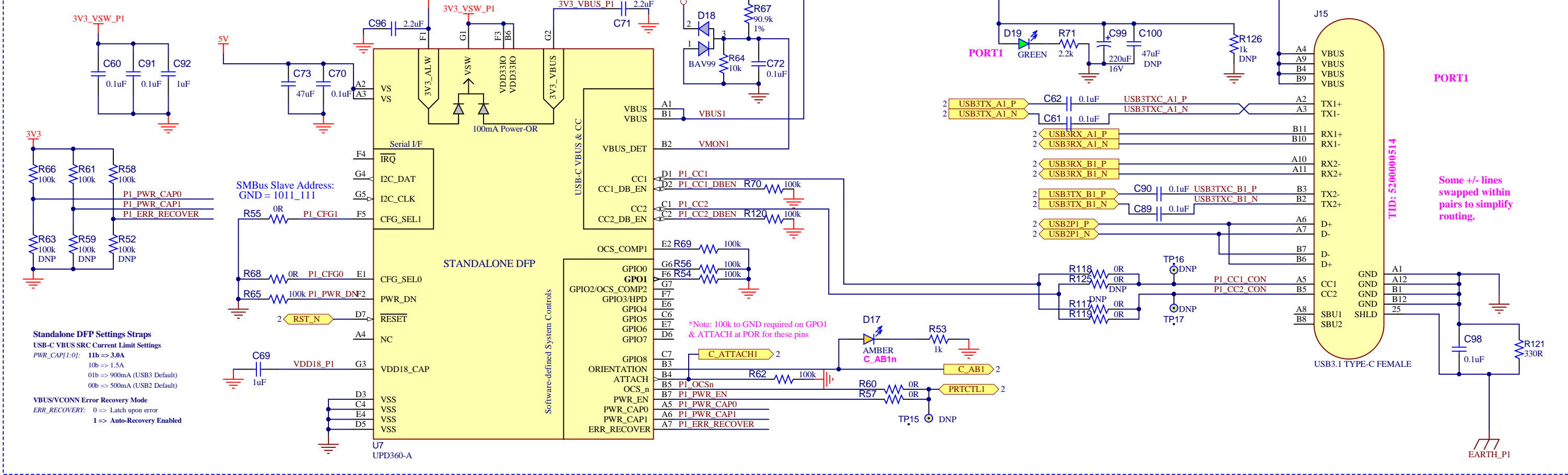
Note:
Default selections are marked with an asterisk [*].


For J1 the SSTX signal pair is polarity swapped for improved routing.
The same is true for the SSRX pair.




Drawn By: Mick Davis			
Engineer: Mick Davis			
PartNumber: EVB-USB5816	Project Title EVB-USB5816C	Variant: [No Variations]	
Sheet Title USB5816, SST26VF SPI Flash			
Size Tabloid	Sch #:03-10988	Date: 1/7/2020 1:53:15 PM	Designed with
Revision: 2.1	Sheet 2 of 5		
File: 2-USB5816.SchDoc			

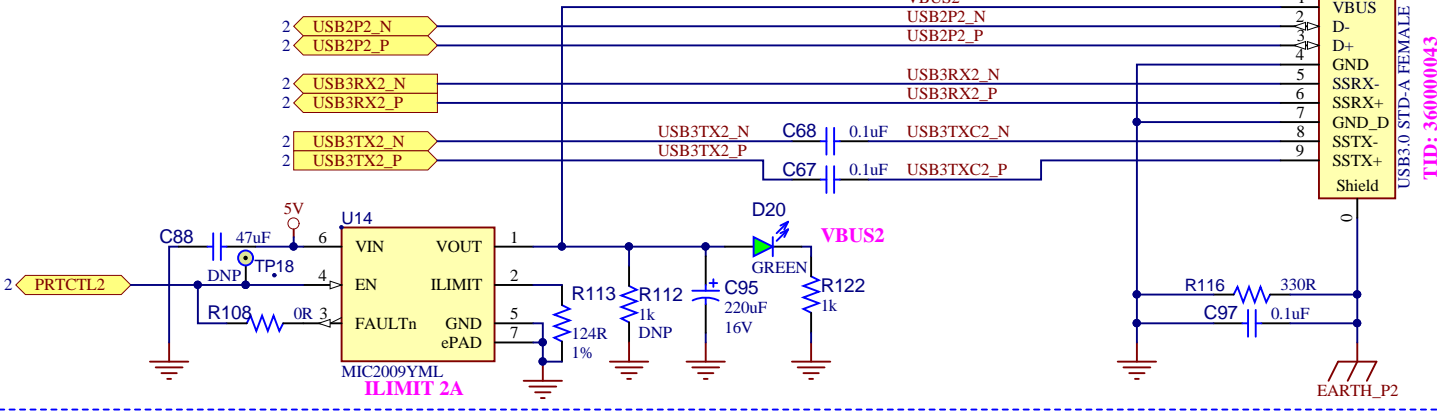
USB3 Downstream Port 1



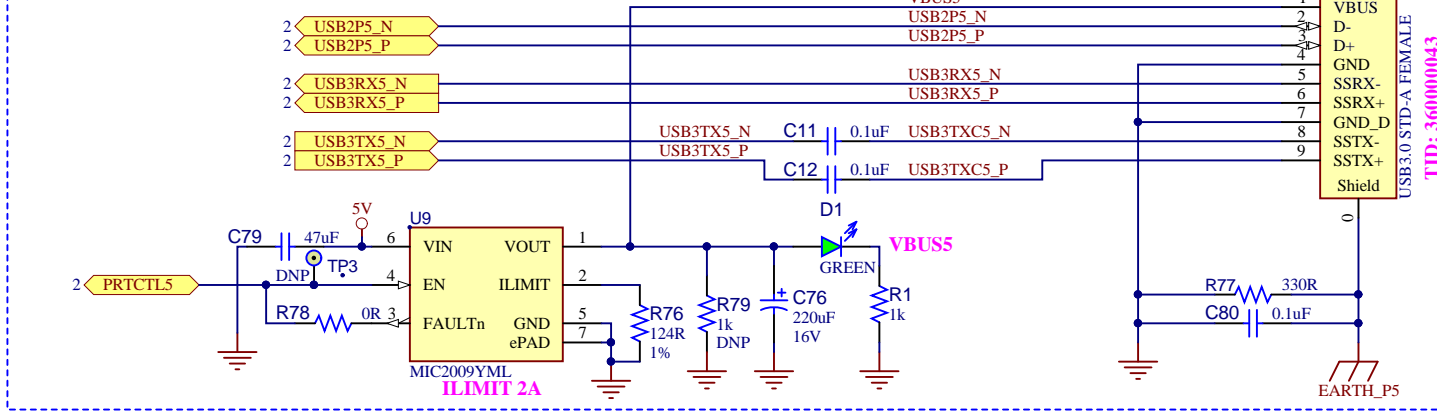
Drawn By: Mick Davis		
Engineer: Mick Davis		
PartNumber: EVB-USB5816	Project Title EVB-USB5816C	Variant: [No Variations]
Sheet Title USB Type-C Downstream Ports		
Size Tabloid	Sch #:03-10988	Date: 1/7/2020 1:53:16 PM
Revision: 2.1	Sheet 3 of 5	
File: 3-USB-C_DS_Port1.SchDoc		


 Altium.com

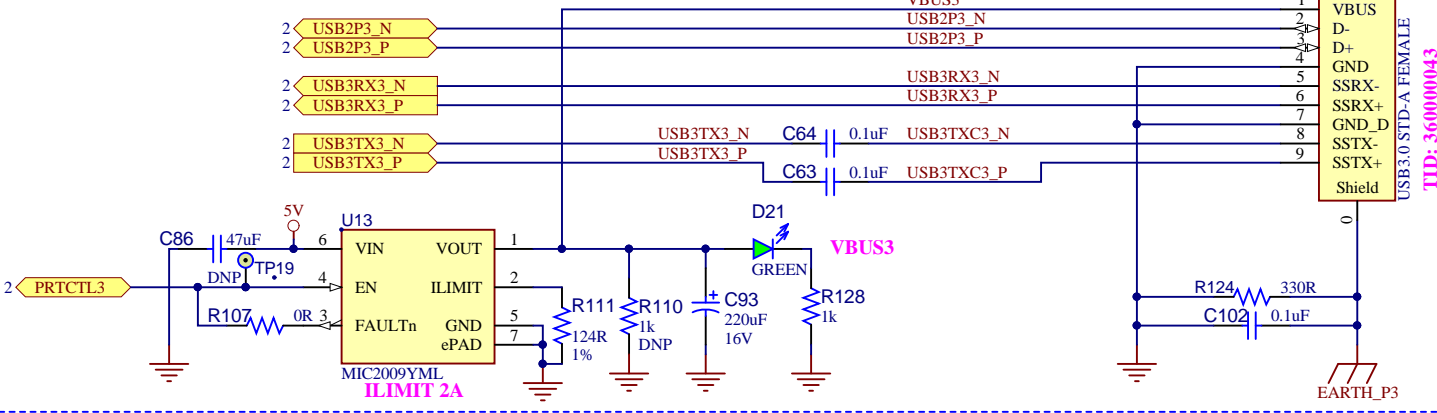
USB3 Downstream Port 2



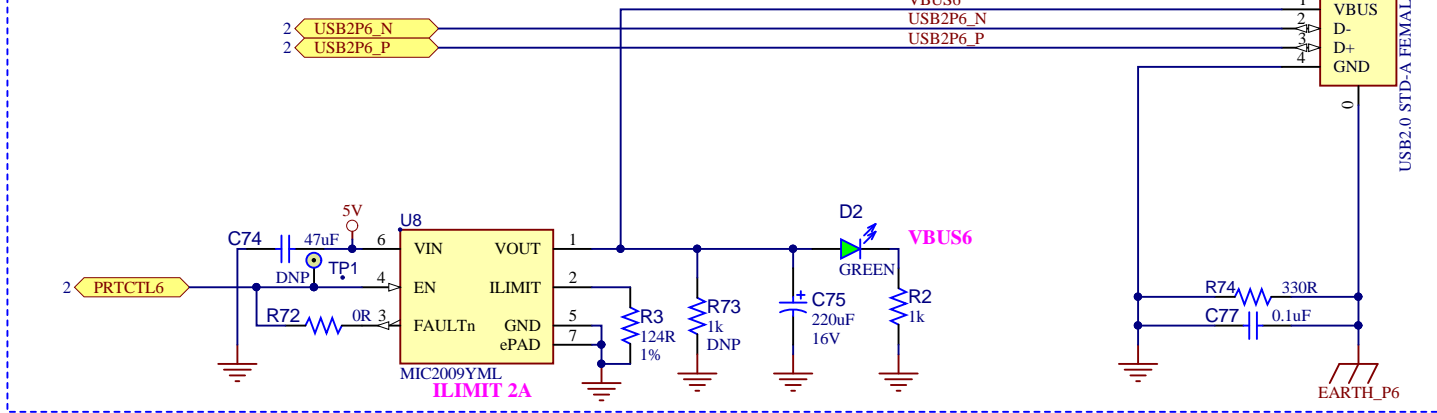
USB3 Downstream Port 5



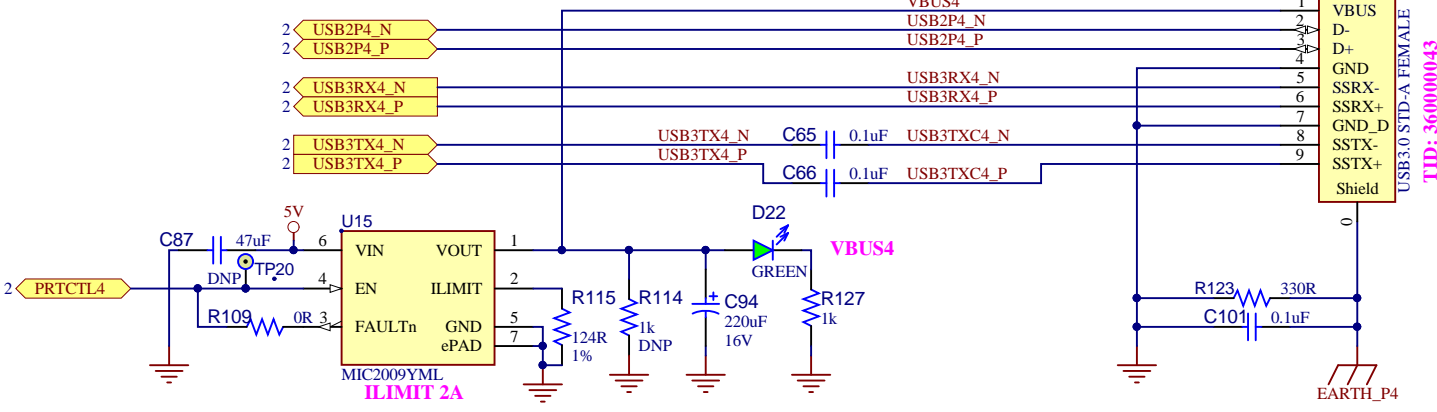
USB3 Downstream Port 3



USB2 Downstream Port 6

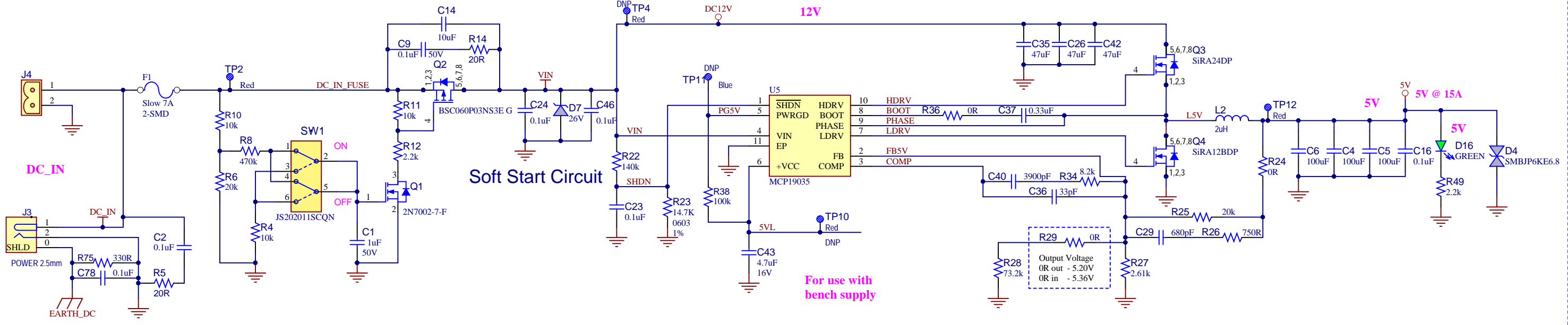


USB3 Downstream Port 4

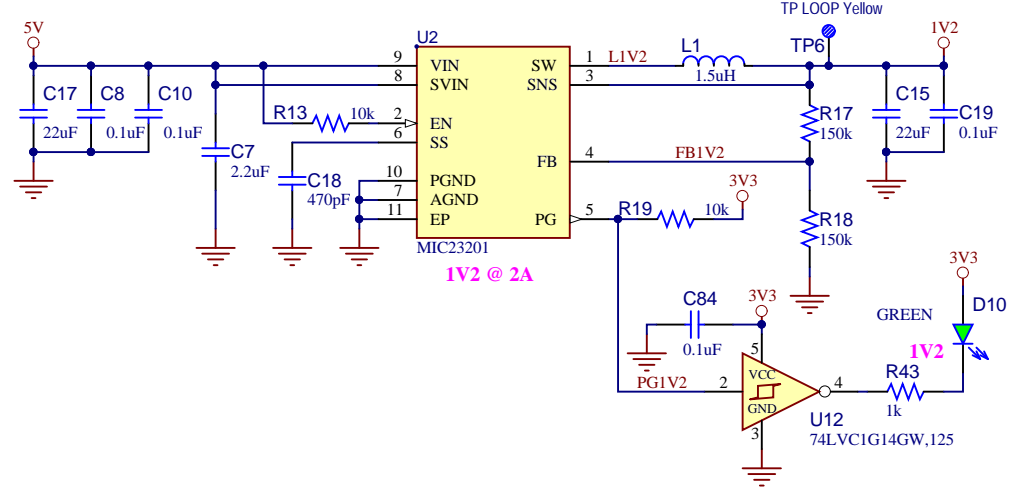


Drawn By: Mick Davis		
Engineer: Mick Davis		
PartNumber: EVB-USB5816	Project Title EVB-USB5816C	Variant: [No Variations]
Sheet Title USB Type-A Downstream Ports		
Size Tabloid	Sch #:03-10988	Date: 1/7/2020 1:53:16 PM
Revision: 2.1	Sheet 4 of 5	Designed with
File: 4-USB3_Ports.SchDoc		

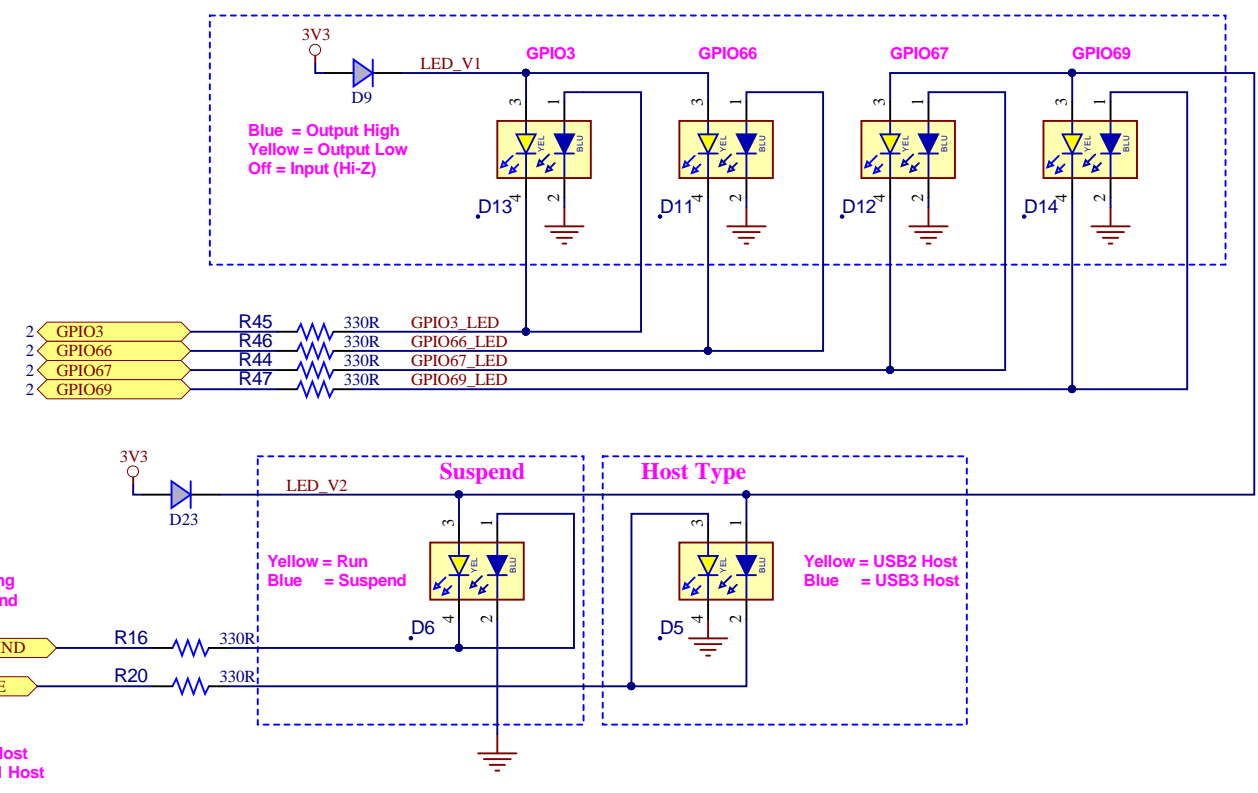
12VDC to 5VDC



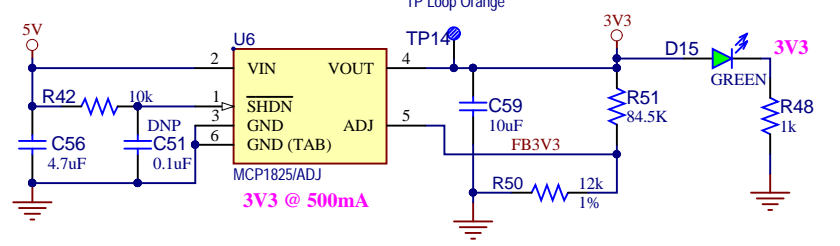
5VDC to V_{CORE}



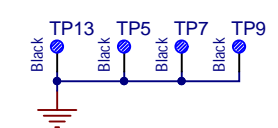
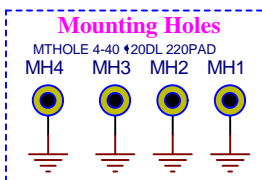
LED Indicators



5VDC to 3.3VDC



Terminal Plug
Populated at Final Assembly



Drawn By: Mick Davis			
Engineer: Mick Davis			
PartNumber: EVb-USB5816	Project Title EVb-USB5816C	Variant: [No Variations]	
Sheet Title DC Regulators, Indicator LEDs			
Size Tabloid	Sch #:03-10988	Date: 1/7/2020 1:53:16 PM	Designed with
Revision: 2.1	Sheet 5 of 5	Altium.com	
File: 5-Power_USB-LEDs.SchDoc			