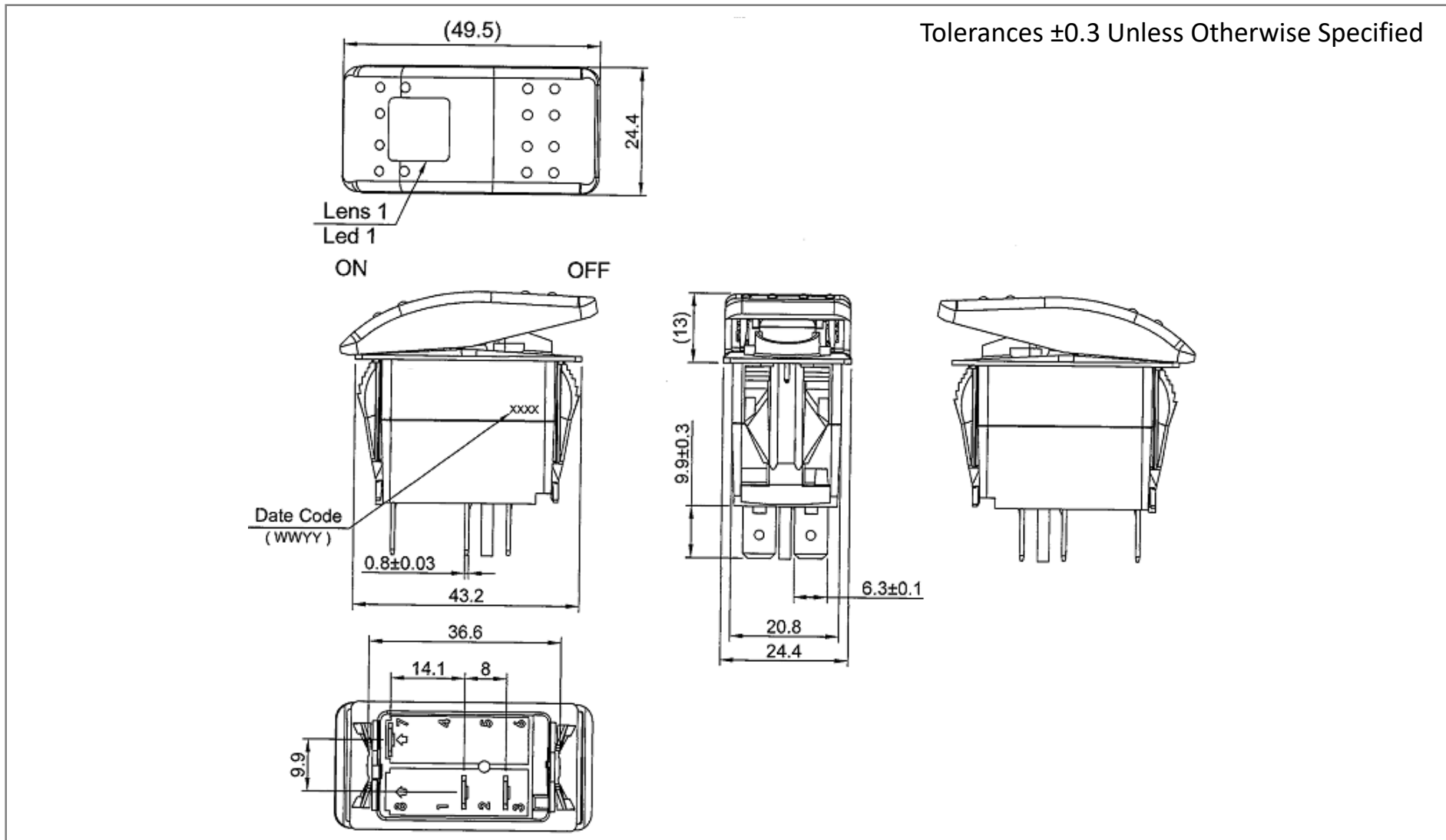
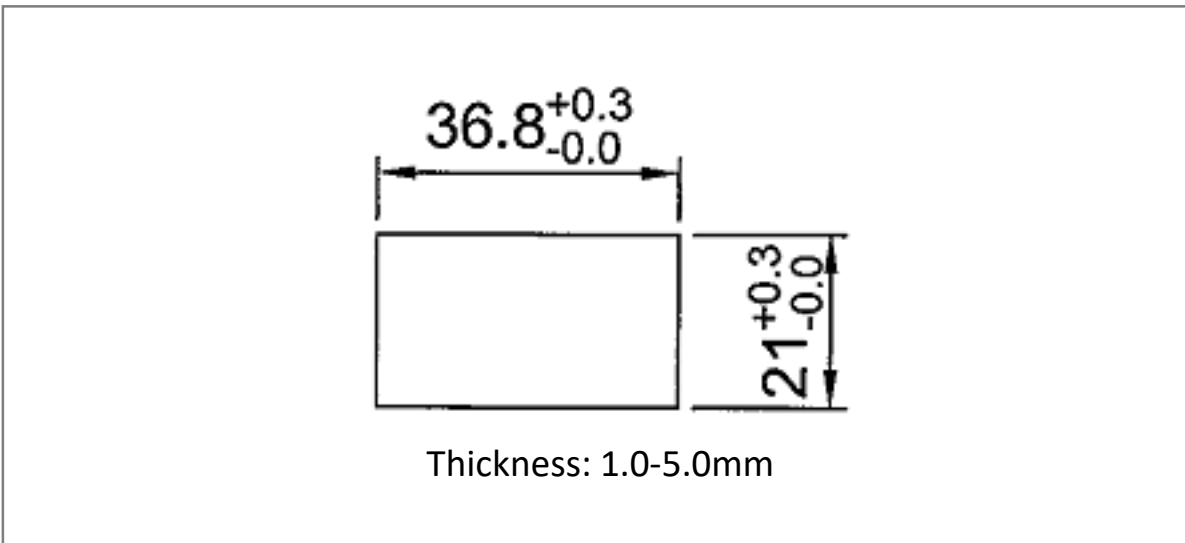


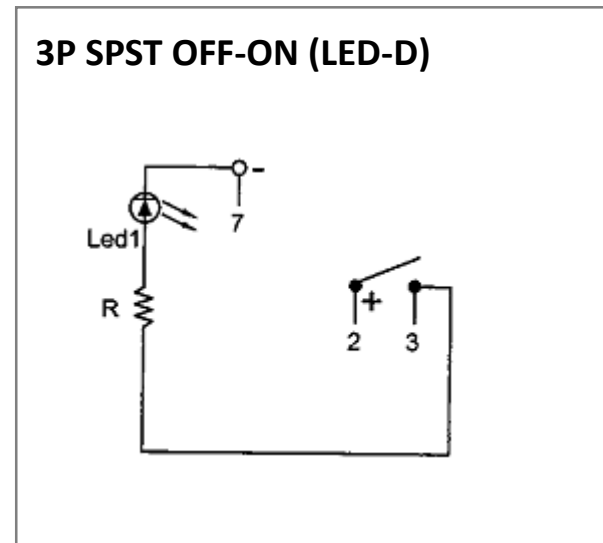
**Mechanical Dimensions (mm)**



**Mounting Hole**



**Circuit Diagram**



**Electrical Specifications**

Rating	21A 14V DC
Contact Resistance	50m ohm Max.
Insulation Resistance	DC 500V 100M ohm Min.
Dielectric Strength	AC 1500V 1 minute
Operation Temperature	-25°C~85°C

**Material Specifications**

Frame/ Actuator	Black, Nylon 66 (94V-2)
Lens	White diffused, PC
LED	Red, dependent
Terminals	Silver plated copper/ Brass
Waterproof	IP56