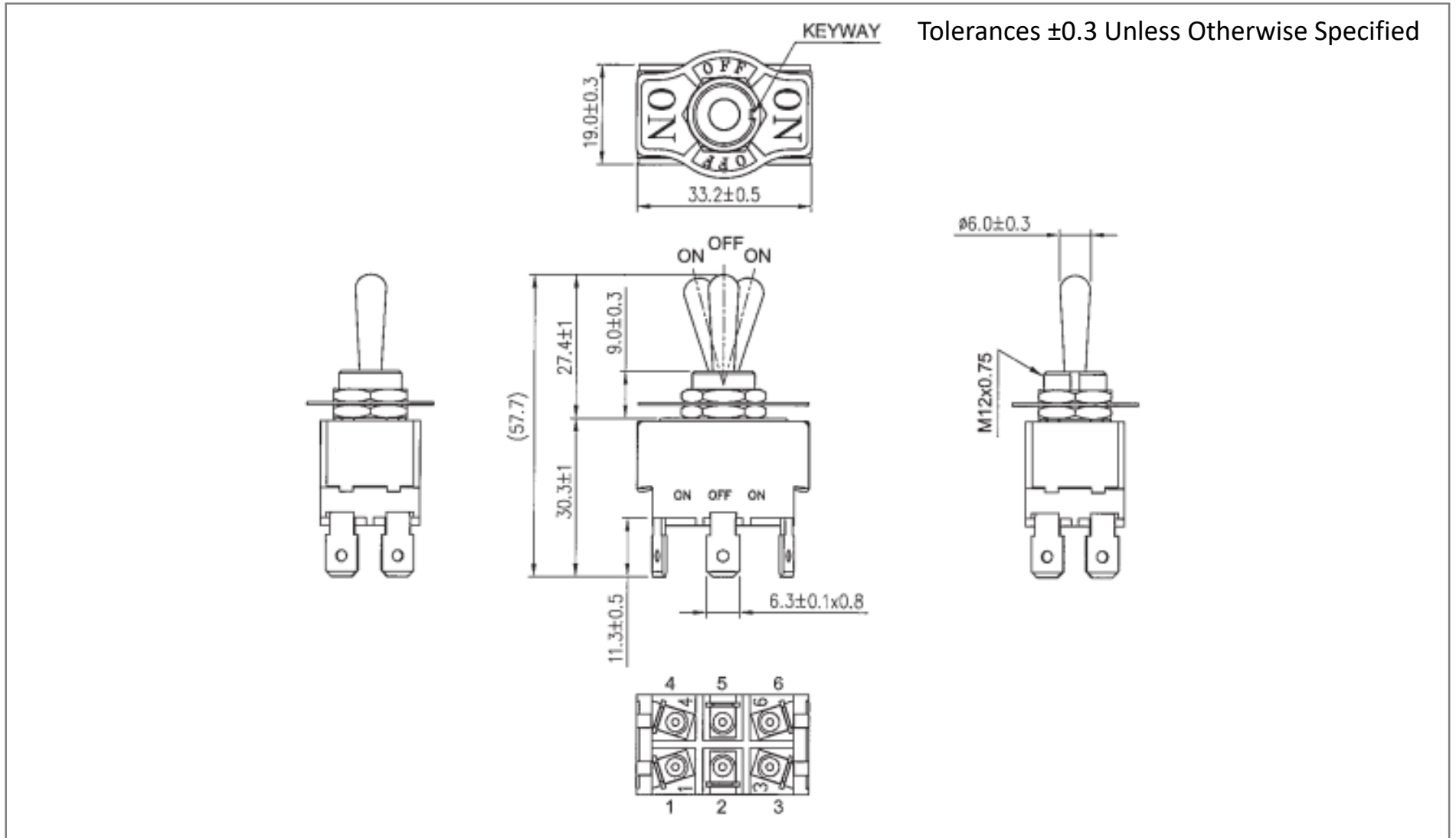
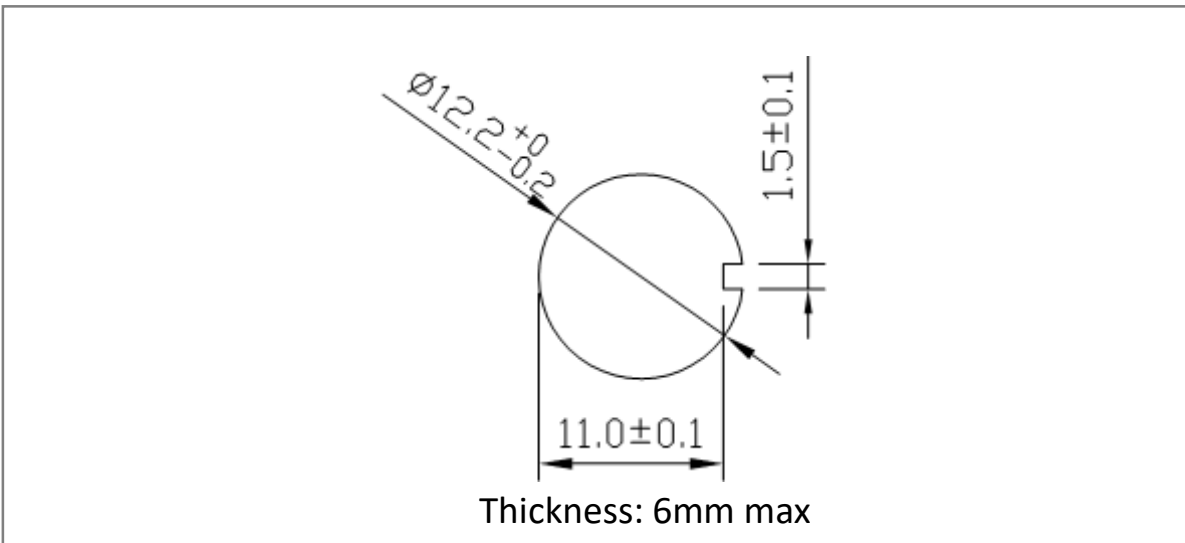


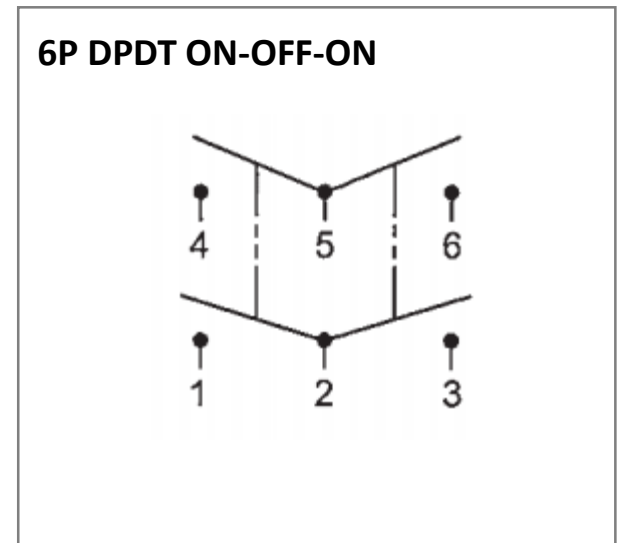
**Mechanical Dimensions (mm)**



**Mounting Hole**



**Circuit Diagram**



**Electrical Specifications**

Rating	20A 12V DC, 10A 24V DC
Contact Resistance	50m ohm Max.
Insulation Resistance	DC 500V 100M ohm Min.
Dielectric Strength	AC 1500V 1 minute
Operation Temperature	0°C~55°C

**Material Specifications**

2 HEX NUT ASSY
1 ON/OFF/ON FACE PLATE ASSY