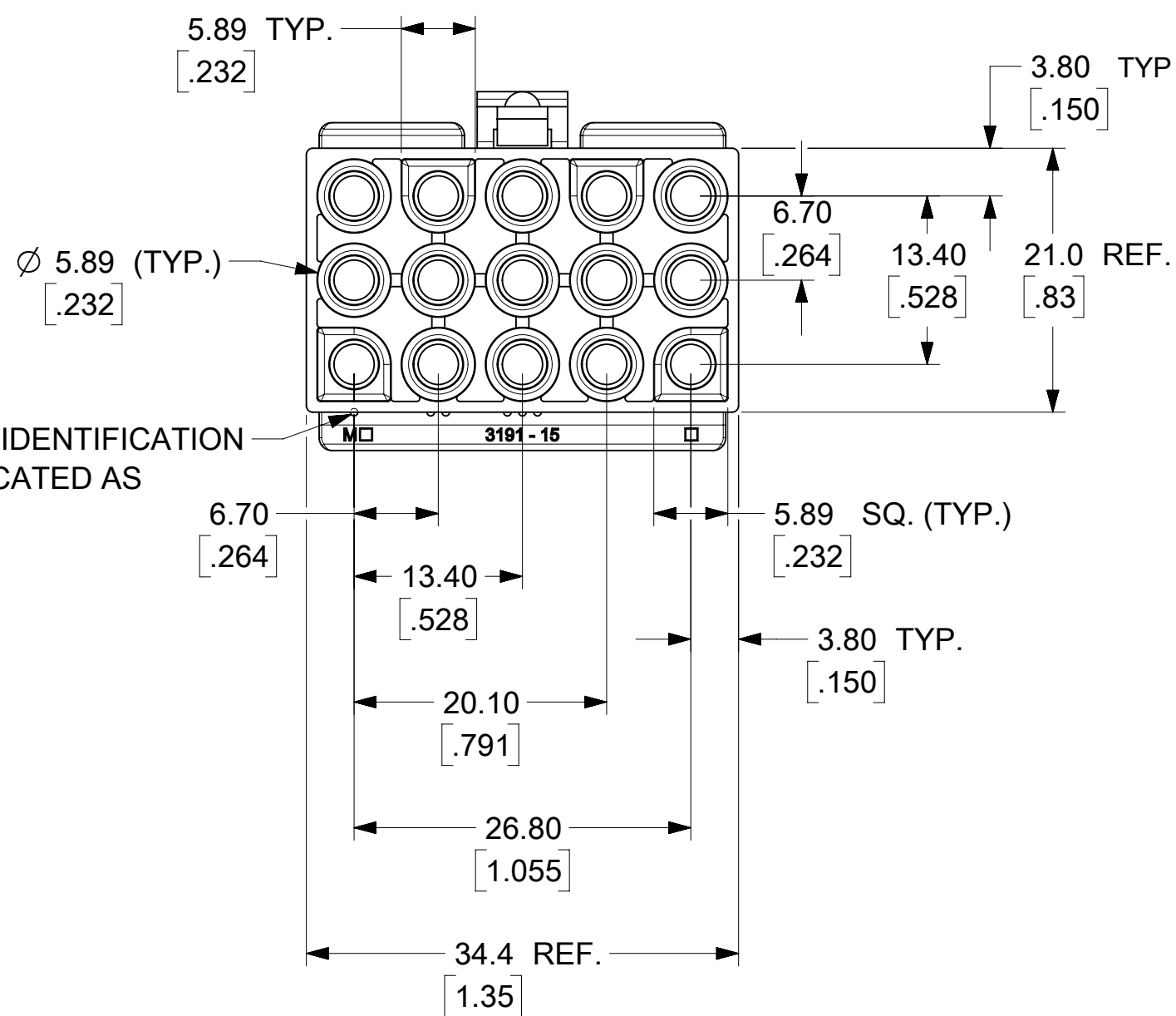
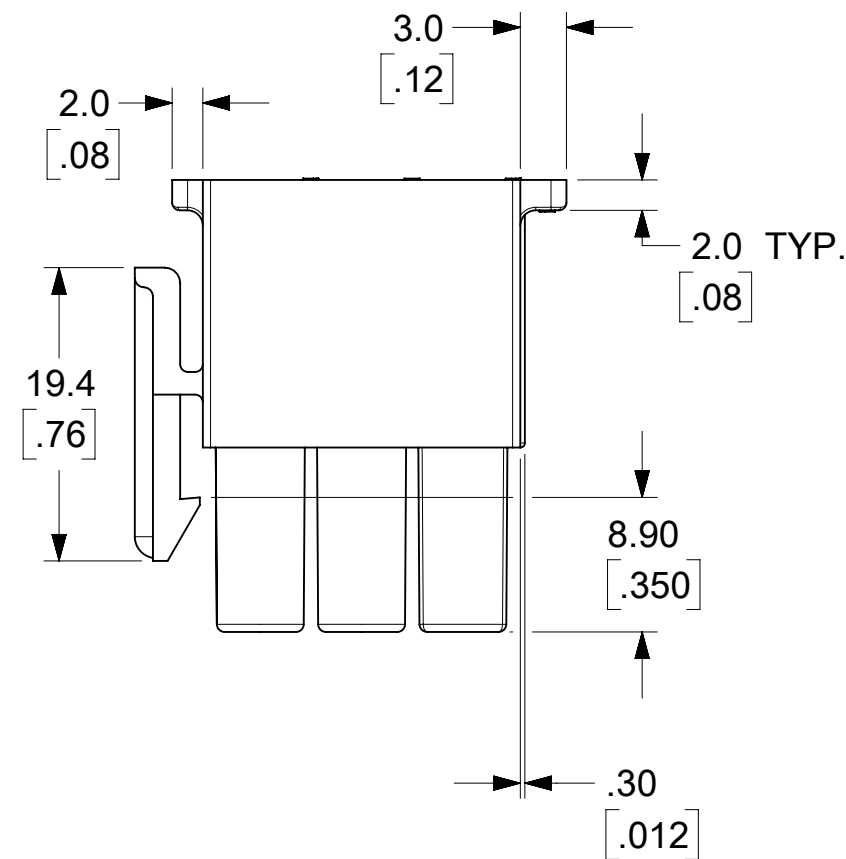
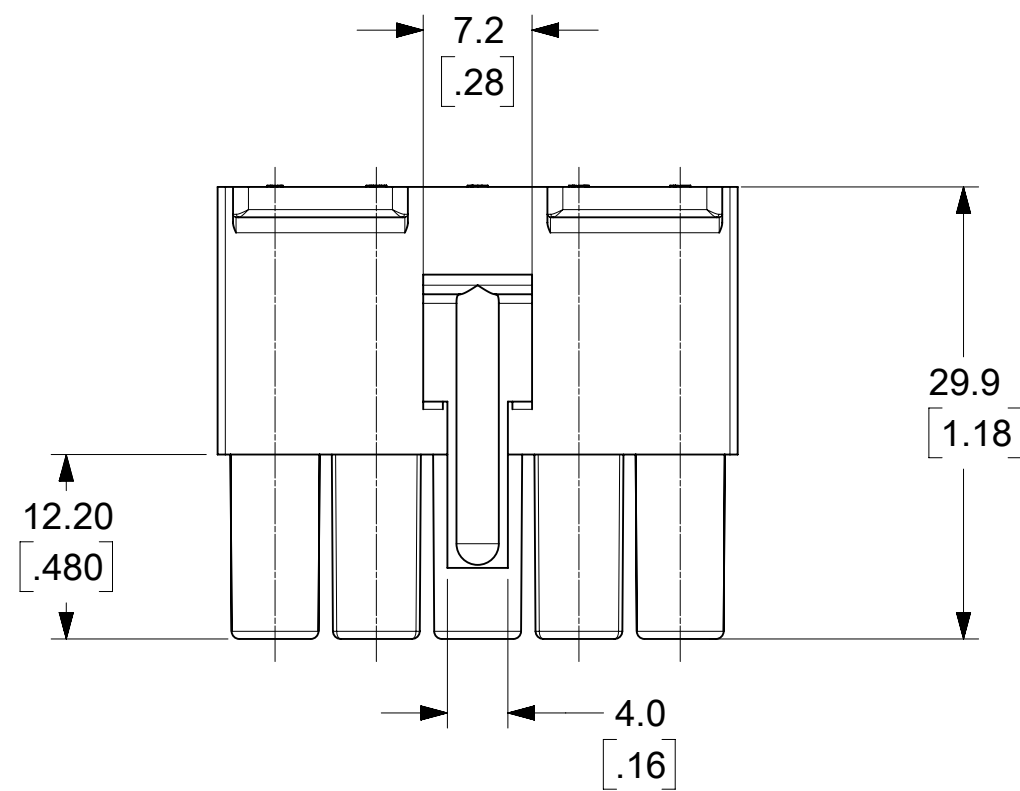
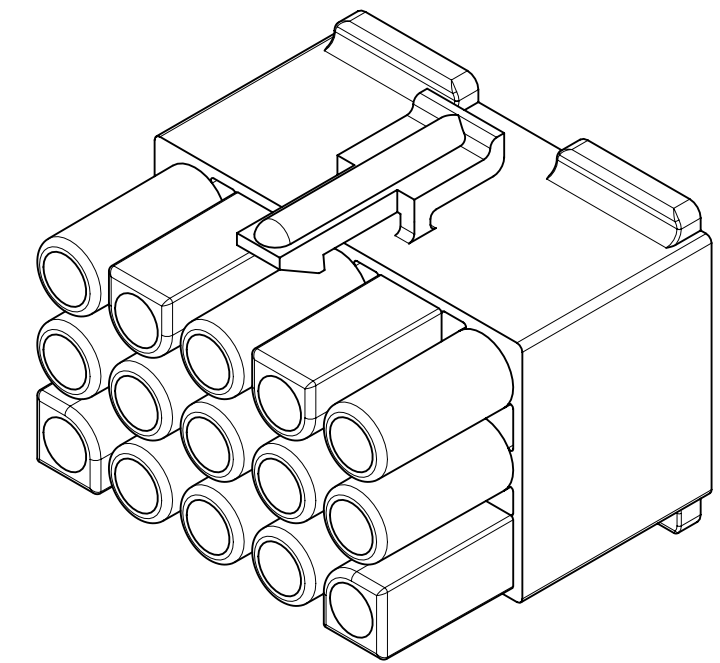
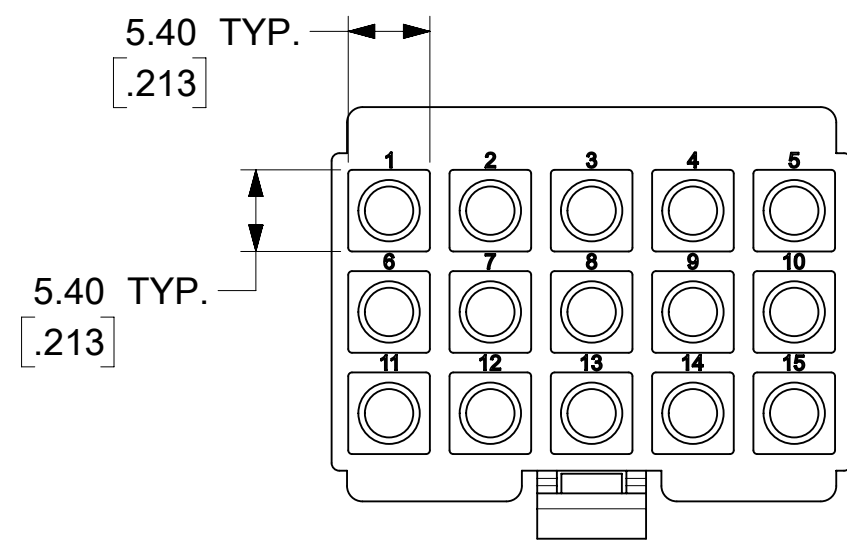


PLUG

FUNCTIONAL SYMBOLS	THIS DRAWING CONTAINS INFORMATION THAT IS PROPRIETARY TO MOLEX ELECTRONIC TECHNOLOGIES, LLC AND SHOULD NOT BE USED WITHOUT WRITTEN PERMISSION									
	DIMENSION UNITS		SCALE		CURRENT REV DESC: RECREATE IN NX					
$F_A = 0$	MM/INCH		2:1		molex .093/(2.36) HOUSING, PLUG AND RECEPTACLE, 15 CKT .264/(6.70) CTRS.					
$F_C = 0$	GENERAL TOLERANCES (UNLESS SPECIFIED)									
$F_P = 0$	4 PLACES		±	±	EC NO: 639672		2019/10/09			
DIVISIONAL SYMBOLS	3 PLACES		±	± 0.01	DRWN: MKIPPER		2020/07/06			
	2 PLACES		± 0.25	± 0.014	CHK'D: DSTEIER		2020/07/13			
1 PLACE		± 0.36	±	APPR: FSMITH		PRODUCT CUSTOMER DRAWING				
0 PLACES		±	±	INITIAL REVISION:		DOCUMENT NUMBER		DOC TYPE	DOC PART	REVISION
ANGULAR TOL		± °		DRWN: AELHAG		31911500-SD		PSD	000	A
DRAFT WHERE APPLICABLE MUST REMAIN WITHIN DIMENSIONS		THIRD ANGLE PROJECTION		DRAWING	SERIES	MATERIAL NUMBER	CUSTOMER	SHEET NUMBER		
				C-SIZE	3191	SEE CHART	GENERAL MARKET	1 OF 3		



RECEPTACLE

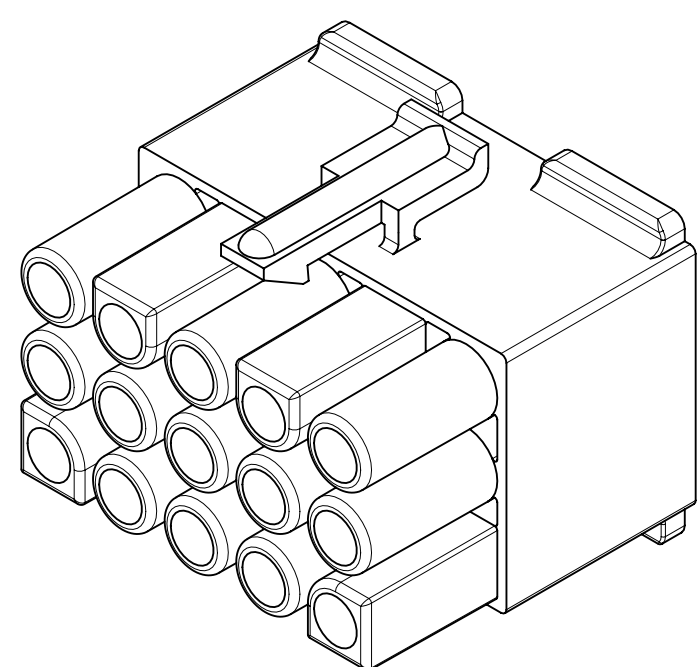
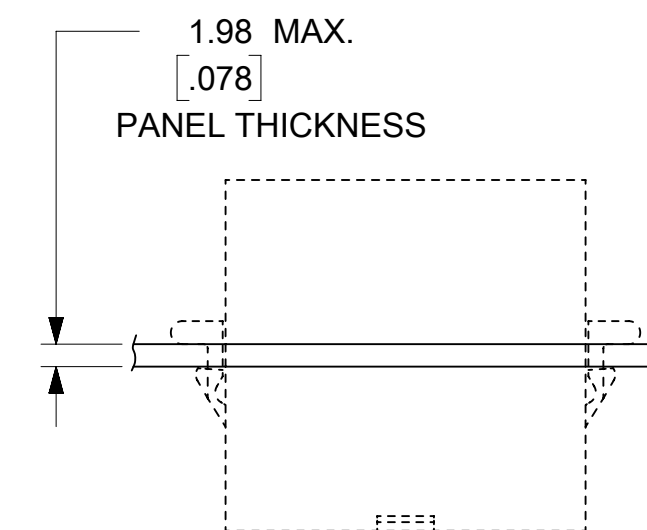
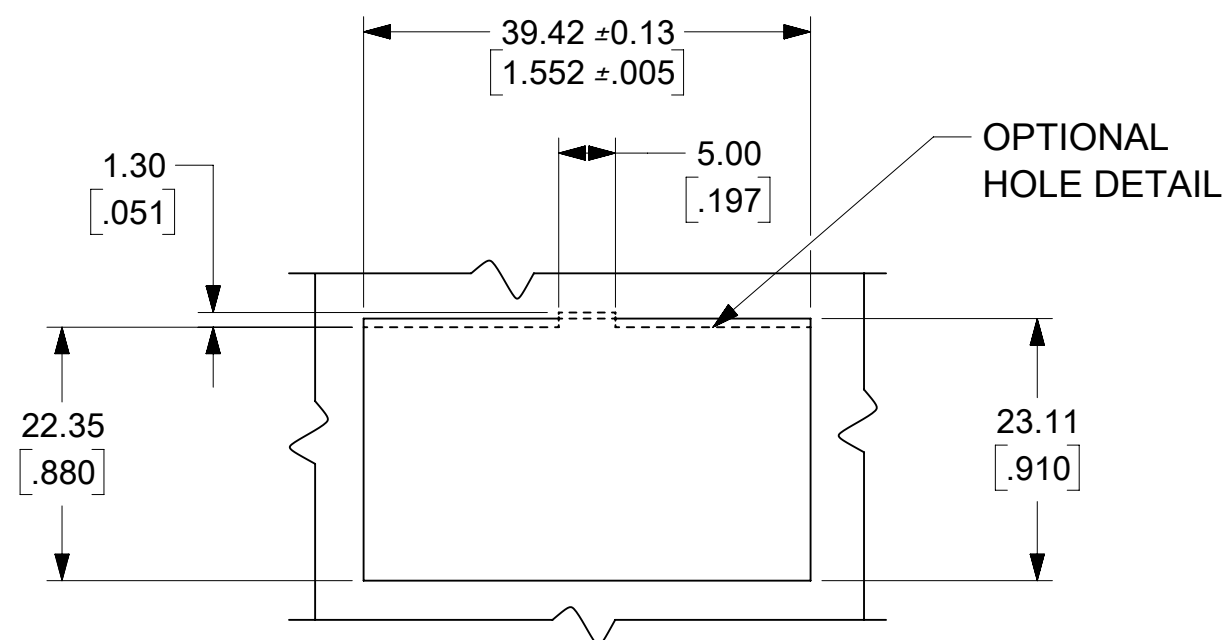
FUNCTIONAL SYMBOLS	THIS DRAWING CONTAINS INFORMATION THAT IS PROPRIETARY TO MOLEX ELECTRONIC TECHNOLOGIES, LLC AND SHOULD NOT BE USED WITHOUT WRITTEN PERMISSION			
	DIMENSION UNITS	SCALE		CURRENT REV DESC: RECREATE IN NX
$\frac{F}{A} = 0$	MM/INCH	2:1		EC NO: 639672 DRWN: MKIPPER CHK'D: DSTEIER APPR: FSMITH
$\frac{F}{C} = 0$	GENERAL TOLERANCES (UNLESS SPECIFIED)			
DIVISIONAL SYMBOLS	4 PLACES	±	±	2019/10/09
	3 PLACES	±	± 0.01	2020/07/06
	2 PLACES	± 0.25	± 0.014	2020/07/13
	1 PLACE	± 0.36	±	
	0 PLACES	±	±	INITIAL REVISION:
	ANGULAR TOL	± °		DRWN: AELHAG APPR: FSMITH
	DRAFT WHERE APPLICABLE MUST REMAIN WITHIN DIMENSIONS	THIRD ANGLE PROJECTION	DRAWING	SERIES
			C-SIZE	3191
DOCUMENT STATUS		P1	RELEASE DATE	2020/07/13 17:25:45
DOCUMENT NUMBER		CUSTOMER		SHEET NUMBER
31911500-SD		GENERAL MARKET		2 OF 3

RECEPTACLE

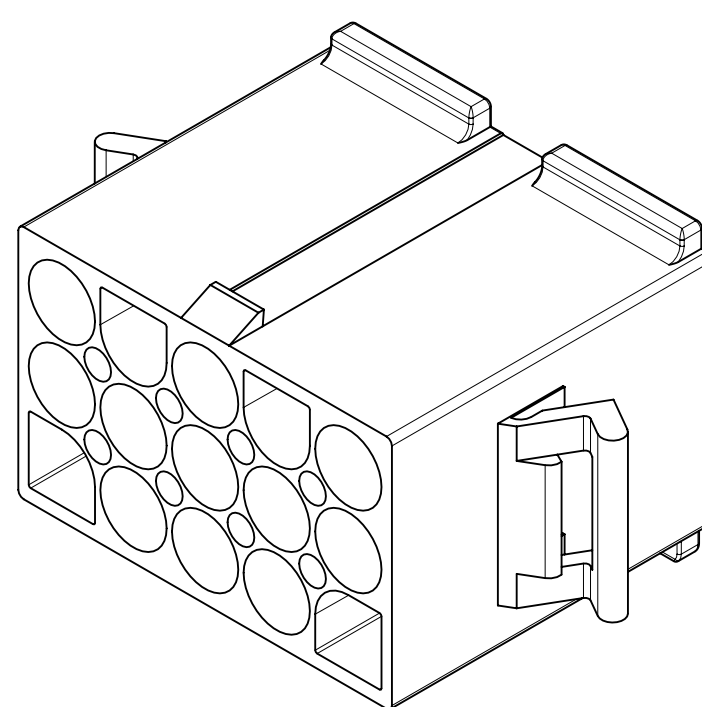
PART NO.	ENG. NO.	MATERIAL	COLOR
19-09-1159	3191-15R1	UL94V-2	NATURAL
19-09-1156	3191-15R1-201	UL94V-0	IVORY

PLUG

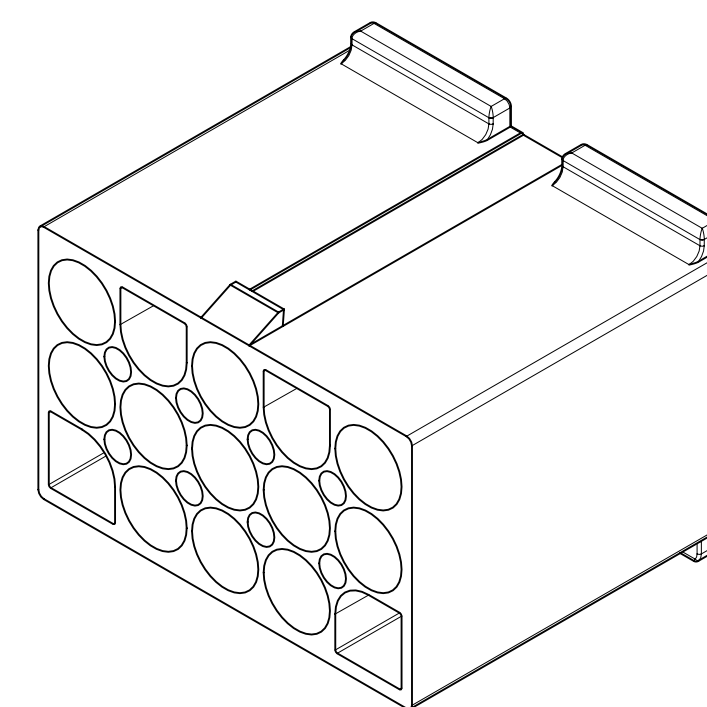
PART NO.	ENG. NO.	MOUNTING EARS	MATERIAL	COLOR
19-09-2158	3191-15P	YES	UL94V-2	NATURAL
19-09-2159	3191-15P1	NO	UL94V-2	NATURAL
19-09-2157	3191-15P-201	YES	UL94V-0	IVORY



RECEPTACLE HOUSING



PLUG PREBENT EARS



PLUG NO EARS

NOTES:

1. MATERIAL: NYLON 6/6, SEE CHART FOR UL94 RATING AND COLOR
2. FINISH: N/A
3. PRODUCT SPECIFICATION: PS-02-09
4. PACKAGING SPECIFICATION: 31910002-PK
5. THIS HOUSING FOR USE WITH MOLEX .093/(2.36) DIA. TERMINALS.
6. PARTS CONFORM TO CLASS B REQUIREMENTS OF COSMETIC SPECIFICATION PS-45499-002.
7. TEXT ON PART IS FOR REFERENCE ONLY. TEXT AND TEXT LOCATION MAY VARY DEPENDING ON PART NUMBER AND/OR TOOL.
8. THIS DRAWING REPLACES SD-3191-15R1*-* AND SD-3191-15P*-*.

FUNCTIONAL SYMBOLS FA = 0 FC = 0 FP = 0	THIS DRAWING CONTAINS INFORMATION THAT IS PROPRIETARY TO MOLEX ELECTRONIC TECHNOLOGIES, LLC AND SHOULD NOT BE USED WITHOUT WRITTEN PERMISSION			
	DIMENSION UNITS MM/INCH		SCALE 1:1	
	CURRENT REV DESC: RECRATE IN NX			
	GENERAL TOLERANCES (UNLESS SPECIFIED)			
DIVISIONAL SYMBOLS	4 PLACES ±		MM	
	3 PLACES ±		INCH	
	2 PLACES ± 0.25		± 0.014	
	1 PLACE ± 0.36		±	
0 PLACES ±		±		
ANGULAR TOL ± °		°		
DRAFT WHERE APPLICABLE MUST REMAIN WITHIN DIMENSIONS		THIRD ANGLE PROJECTION		
DRAWING		SERIES		
C-SIZE		3191		

EC NO: 639672				2019/10/09	
DRWN: MKIPPER				2020/07/06	
CHK'D: DSTEIER				2020/07/13	
APPR: FSMITH				2020/07/13	
INITIAL REVISION:				2012/03/28	
DRWN: AELHAG				2012/04/25	
APPR: FSMITH				2012/04/25	

DOCUMENT NUMBER			DOC TYPE	DOC PART	REVISION
31911500-SD			PSD	000	A
MATERIAL NUMBER		CUSTOMER		SHEET NUMBER	
SEE CHART		GENERAL MARKET		3 OF 3	



.093/(2.36) HOUSING, PLUG AND RECEPTACLE, 15 CKT .264/(6.70) CTRS.

PRODUCT CUSTOMER DRAWING