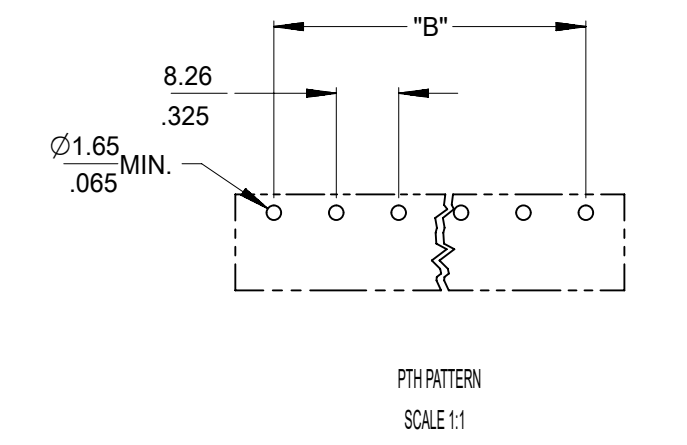
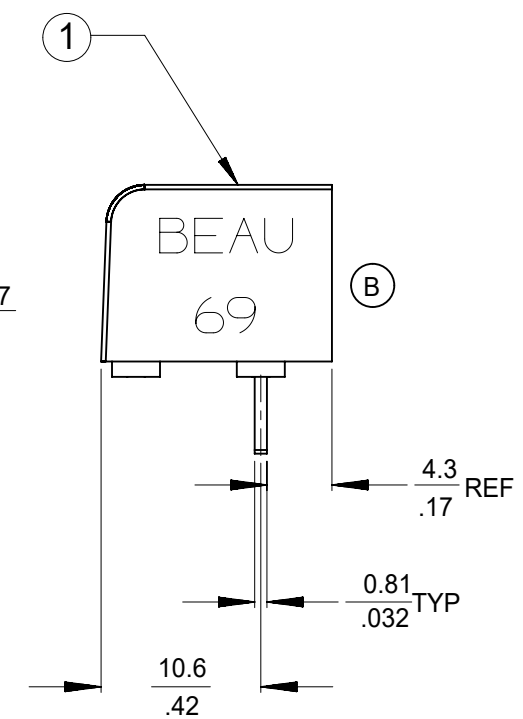
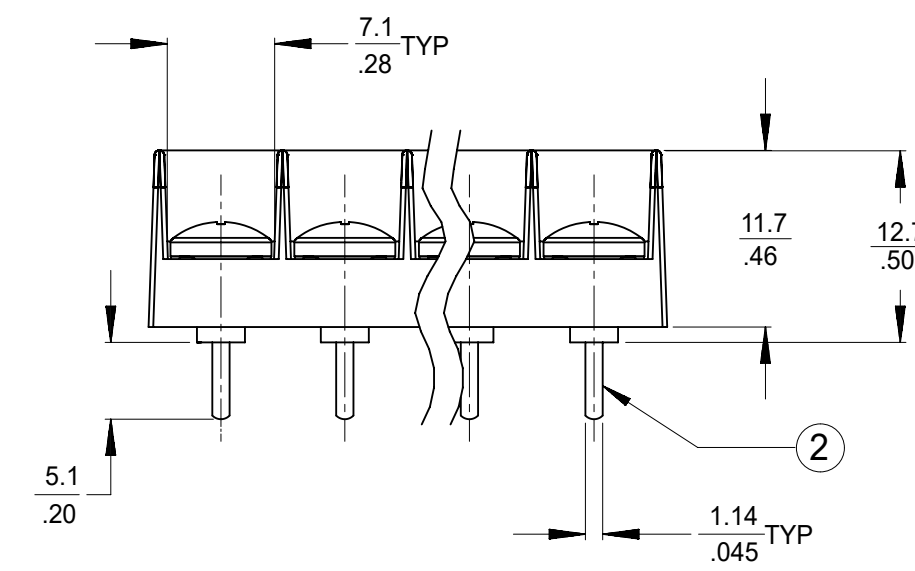
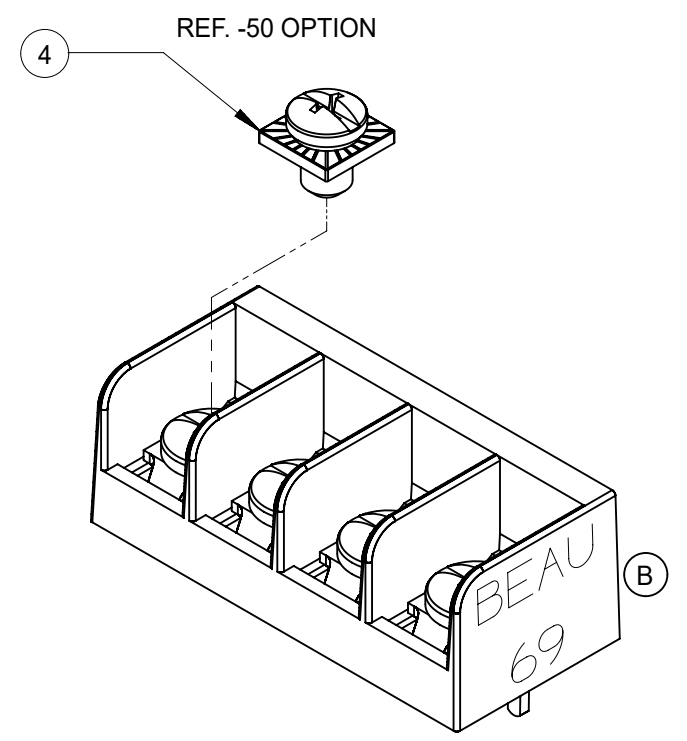
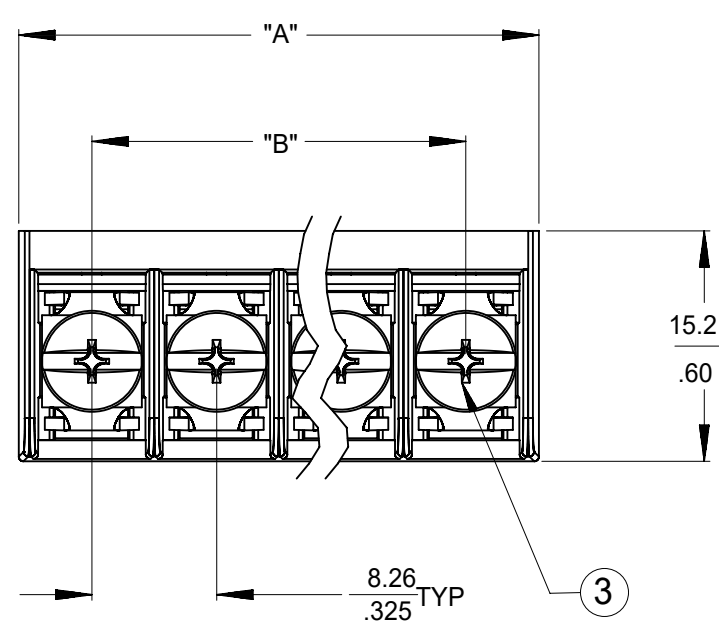


NO. OF CIRCUITS	DIM. "A"		DIM. "B"		ASSEMBLY MATERIAL NO. (STANDARD)	ASSEMBLY MATERIAL NO. (-50 OPT)
	mm	in	mm	in		
02	17.9	.71	8.3	.33		386907802
03	26.2	1.03	16.5	.65		386907803
04	34.4	1.36	24.8	.98		386907804
06	50.9	2.01	41.3	1.63		386907806
08	67.4	2.66	57.8	2.28		386907808
09	75.7	2.98	66.0	2.60		386907809
14	117.0	4.61	107.3	4.23	386906614	
15	125.2	4.93	115.6	4.55		386907815
16	133.5	5.26	123.8	4.88		386907816



- NOTES:
 1. MATERIAL: SEE TABLE
 2. FINISHES: SEE TABLE.
 3. "XX" REFERS TO THE QUANTITY OF CIRCUITS.
 4. ROHS COMPLIANT.

ITEM	QTY.	DESCRIPTION	MATERIAL	FINISH
4	XX	SCREW #6-32X.155 PAN PHSLZN/BR/STEEL -50 OPT	STEEL	ZN, CLEAR CHROMATE
3	XX	SCREW #6-32X.160 PAN PHSLNI/BRASS (STANDARD)	BRASS	NICKEL PLATE
2	XX	TERMINAL, PC	BRASS	TIN PLATE
1	1	INSULATOR	POLYESTER (PBT)	BLACK

THIS DRAWING CONTAINS INFORMATION THAT IS PROPRIETARY TO MOLEX ELECTRONIC TECHNOLOGIES, LLC AND SHOULD NOT BE USED WITHOUT WRITTEN PERMISSION

DIMENSION UNITS	SCALE	CURRENT REV DESC: OBSOLETE PART NUMBERS AS PER PCN#510807	molex		
MM/IN	2:1				
GENERAL TOLERANCES (UNLESS SPECIFIED)			8.26/.325 SR TRI-BARRIER TERMINAL STRIP CS, PC ASSY		
	MM	INCH	PRODUCT CUSTOMER DRAWING		
4 PLACES	±	±	DOCUMENT NUMBER		
3 PLACES	±	± 0.005	SD-38690-001		
2 PLACES	± 0.13	± 0.01	DOC TYPE	DOC PART	REVISION
1 PLACE	± 0.3	±	PSD	001	B1
0 PLACES	±	±	SERIES		
ANGULAR TOL	± 2.0°		38690		
DRAFT WHERE APPLICABLE MUST REMAIN WITHIN DIMENSIONS			THIRD ANGLE PROJECTION	DRAWING	SHEET NUMBER
			SEE CHART	GENERAL MARKET	1 OF 1