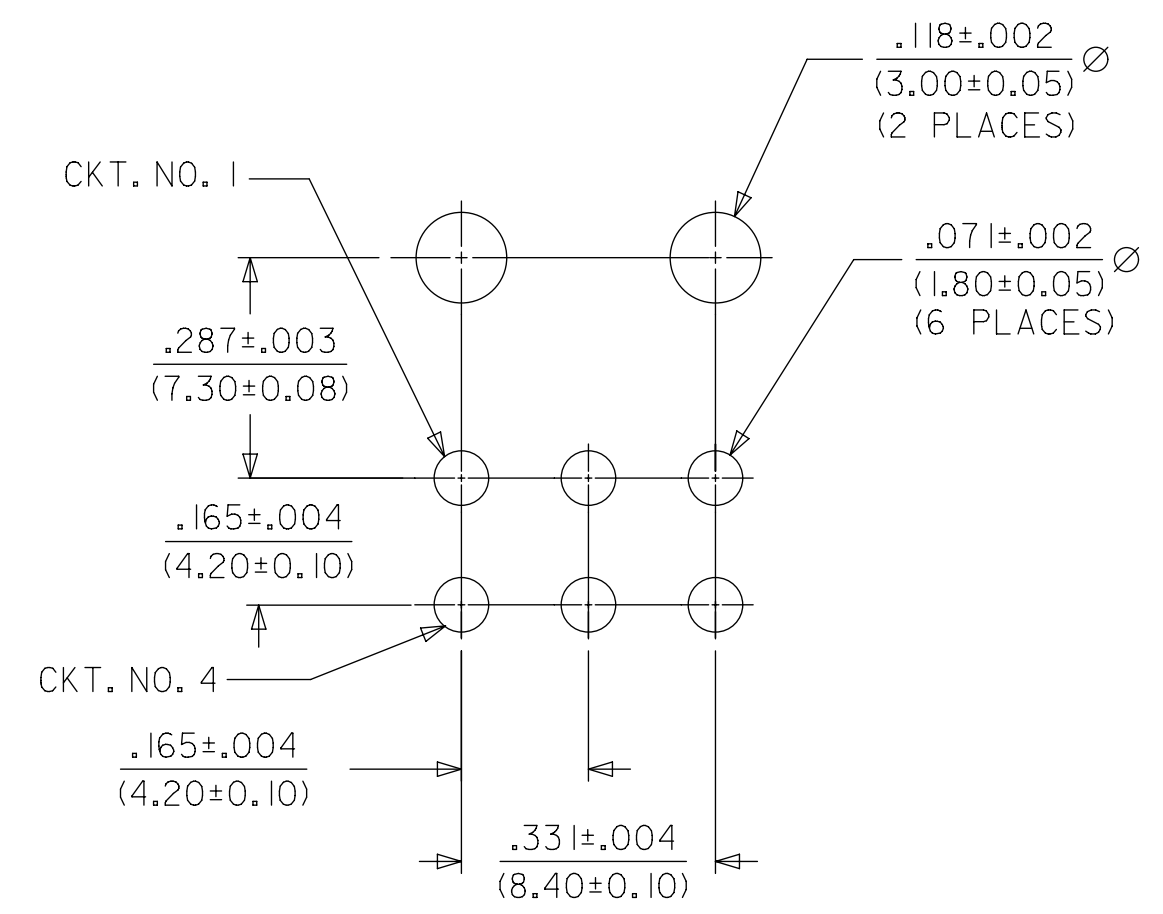
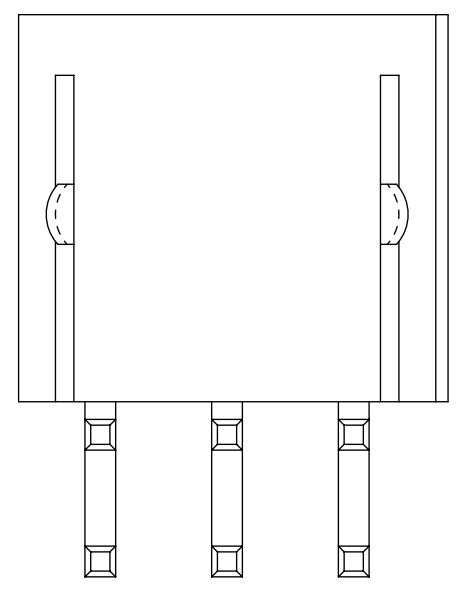
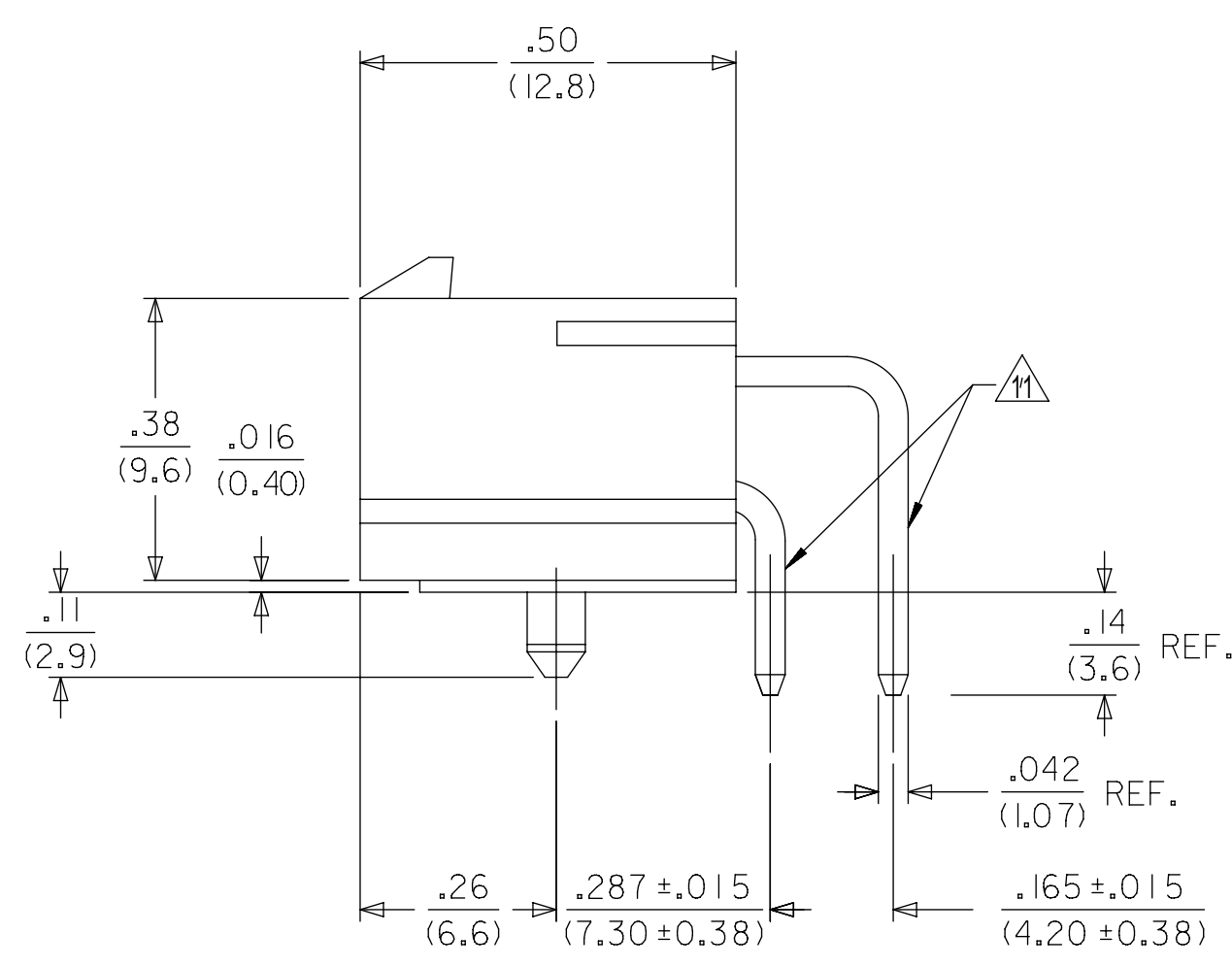
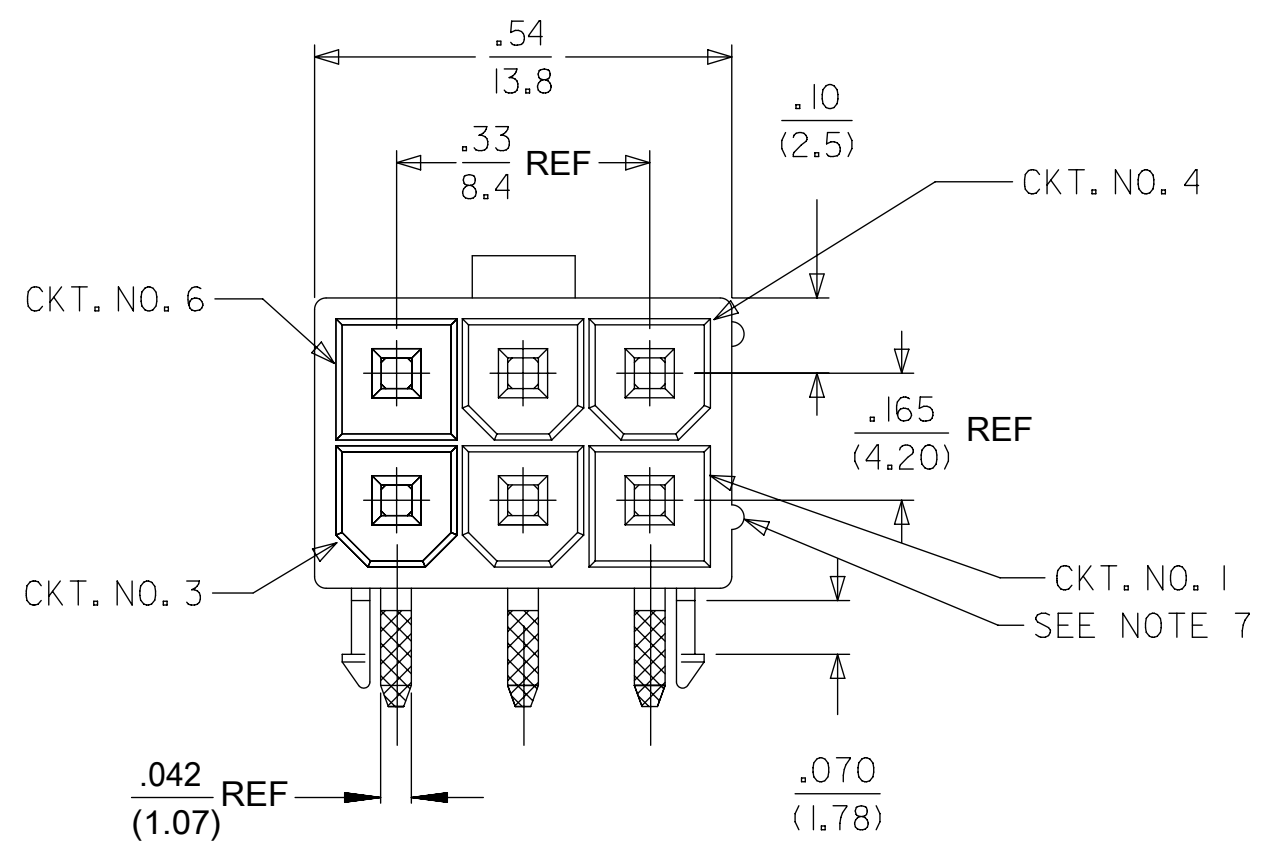


MATERIAL NUMBER	NUMBER OF PEGS
455580003	2

- NOTES:
- 1) MATERIAL:
HOUSING: NYLON, UL94 V-0, COLOR: BLACK
TERMINALS: BRASS
 - 2) TERMINAL FINISH:
.000100/(.00254) MIN. MATTE TIN OVER
.000050/(.00127) MIN. NICKEL OVERALL.
 - 3) PRODUCT SPECIFICATION: PS-45558-001
 - 4) PACKAGING: PER PK-5569-002
 - 5) PARTS MATE WITH MINI-FIT JR. RECEPTACLE 455590002.
 - 6) PARTS ARE NOT DESIGNED FOR CURRENT SHARING.
 - 7) FULL RIB INDICATES CIRCUIT NO. 1.
 - 8) PARTS ARE NOT TO BE MATED OR UNMATED WHILE CIRCUITS ARE LIVE.
 - 9) DISCOLORATION IN THE BANDOLIER CARRIER AREA OF THE PIN IS INHERENT TO THE PLATING PROCESS AND IS DUE TO THE MASKING EFFECT OF THE CARRIER. THIS DISCOLORATION IS IN A NON-FUNCTIONAL AREA OF THE PIN AND WILL NOT AFFECT THE PERFORMANCE OF THE HEADER ASSEMBLY.
 - 10) PART CONFORMS TO CLASS "B" REQUIREMENTS OF COSMETIC SPECIFICATION PS-45499-002.
- △11 FORMING MARKS ARE ACCEPTABLE.



RECOMMENDED HOLE LAYOUT FOR
.070/(1.78) MAX. THICK P.C. BOARD.
VIEWED FROM COMPONENT SIDE OF BOARD.

QUALITY SYMBOLS		THIS DRAWING CONTAINS INFORMATION THAT IS PROPRIETARY TO MOLEX ELECTRONIC TECHNOLOGIES, LLC AND SHOULD NOT BE USED WITHOUT WRITTEN PERMISSION				DIMENSION UNITS		SCALE												
▽ = 0	▽ = 0	GENERAL TOLERANCES (UNLESS SPECIFIED)		IN/MM		4:1		6 CKT R/A HEADER ASSY SPECIAL POLARIZATION MINI-FIT JR. SERIES												
▽ = 0	▽ = 0	4 PLACES ±		MM	INCH	DRWN BY					DATE		PRODUCT CUSTOMER DRAWING							
▽ = 0	▽ = 0	3 PLACES ±				GEP		2003/11/11		<table border="1"> <tr> <td>SERIES</td> <td>MATERIAL NUMBER</td> <td>CUSTOMER</td> </tr> <tr> <td>45558</td> <td>SEE CHART</td> <td>GENERAL MARKET</td> </tr> </table>						SERIES	MATERIAL NUMBER	CUSTOMER	45558	SEE CHART
SERIES	MATERIAL NUMBER	CUSTOMER																		
45558	SEE CHART	GENERAL MARKET																		
▽ = 0	▽ = 0	2 PLACES ±				CHK'D BY		DATE		<table border="1"> <tr> <td>DOCUMENT NUMBER</td> <td>DOC TYPE</td> <td>DOC PART</td> <td>SHEET NUMBER</td> </tr> <tr> <td>SD-45558-001</td> <td>PSD</td> <td>000</td> <td>1 OF 1</td> </tr> </table>			DOCUMENT NUMBER	DOC TYPE	DOC PART	SHEET NUMBER	SD-45558-001	PSD	000	1 OF 1
DOCUMENT NUMBER	DOC TYPE	DOC PART	SHEET NUMBER																	
SD-45558-001	PSD	000	1 OF 1																	
▽ = 0	▽ = 0	1 PLACES ±				YLM		2003/11/11		<table border="1"> <tr> <td>EC NO:</td> <td>DRWN:</td> <td>CHKD:</td> <td>APPR:</td> </tr> <tr> <td>103343</td> <td>CSLAFTER</td> <td>FSMITH</td> <td>FSMITH</td> </tr> </table>			EC NO:	DRWN:	CHKD:	APPR:	103343	CSLAFTER	FSMITH	FSMITH
EC NO:	DRWN:	CHKD:	APPR:																	
103343	CSLAFTER	FSMITH	FSMITH																	
▽ = 0	▽ = 0	0 PLACES ±				APPR BY		DATE		<table border="1"> <tr> <td>DRAWING SIZE</td> <td>THIRD ANGLE PROJECTION</td> </tr> <tr> <td>C</td> <td></td> </tr> </table>			DRAWING SIZE	THIRD ANGLE PROJECTION	C					
DRAWING SIZE	THIRD ANGLE PROJECTION																			
C																				
▽ = 0	▽ = 0	ANGULAR TOL = 1/2				FSMITH		2012/02/02		<table border="1"> <tr> <td>RELEASE STATUS</td> <td>RELEASE DATE</td> <td>22:55:57</td> </tr> </table>			RELEASE STATUS	RELEASE DATE	22:55:57					
RELEASE STATUS	RELEASE DATE	22:55:57																		
▽ = 0	▽ = 0	DRAFT WHERE APPLICABLE MUST REMAIN WITHIN DIMENSIONS				DRAWING SIZE		C		<table border="1"> <tr> <td>RELEASE STATUS</td> <td>RELEASE DATE</td> <td>22:55:57</td> </tr> </table>			RELEASE STATUS	RELEASE DATE	22:55:57					
RELEASE STATUS	RELEASE DATE	22:55:57																		