

1. 製品名称／PRODUCT NAME : 0.5 FPC CONN ZIF SMT BTM CONT E/O TYPE EMBOSSED TAPE PACKAGING

製品番号／PART NUMBER : 5 2 8 9 3 - * * 3 3

5 2 8 9 3 - * * 3 4

5 2 8 9 3 - * * 9 5

5 2 8 9 3 - * * 9 6

5 2 8 9 3 - * * 9 8

(* * は極数を示す)

(* * IS CIRCUITS SIZE)

2. 標準梱包数／STANDARD PACKAGING QUANTITY

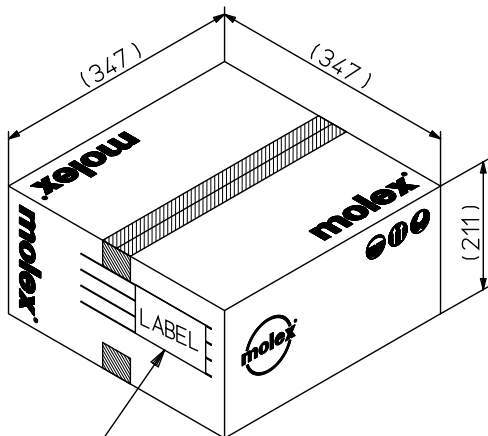
| 極 数 CKT. SIZE | キャリア テープ幅 (mm) CARRIER TAPE WIDTH (mm) | 1 リール中の製品数 QTY. PER REEL | 外装カートン SHIPPING CARTON | |
|---------------------|---|-----------------------------|---------------------------|-----------------|
| | | | 梱包リール数 NUMBER OF REELS | 製品数 QUANTITY |
| 8 | 24 | 1,000 | 6 (3) | 6,000 (3,000) |
| 10 | | | | |
| 11 | | | | |
| 12 | | | | |
| 13 | | | | |
| 14 | | | | |
| 15 | | | | |
| 16 | | | | |
| 18 | | | | |
| 20 | | | | |

| | | | | | | | | |
|----------------------------------|---|--------|--|--|------------------------------|-----------------------------|-------------------------------|-----------------|
| REV. | F | | | | | | | |
| SHEET | 1~2 | | | | | | | |
| REVISE ON PC ONLY | | | | TITLE: | | | | |
| F | REVISED J2016-0244 2015/09/08 T.NAKAGAWA | | | 5 2 8 9 3 梱包仕様書 SALES PACKAGING SPEC. FOR 52893 | | | | |
| | THIS DOCUMENT CONTAINS INFORMATION THAT IS PROPRIETARY TO MOLEX LLC. AND SHOULD NOT BE USED WITHOUT WRITTEN PERMISSION | | | | | | | |
| REV. | DESCRIPTION | | | | | | | |
| DESIGN CONTROL J | | STATUS | | WRITTEN BY: M.KAWABATA | CHECKED BY: T.HARUYAMA | APPROVED BY: H.HIRATA | DATE: YR/MO/DAY 2011/05/13 | |
| DOCUMENT NUMBER SPK-52893-001 | | | | | | | FILE NAME SPK52893001.docx | SHEET 1 OF 2 |

| 極数 CKT. SIZE | キャリア テープ幅 (mm) CARRIER TAPE WIDTH (mm) | 1 リール中の製品数 QTY. PER REEL | 外装カートン SHIPPING CARTON | |
|--------------------|---|-----------------------------|---------------------------|-----------------|
| | | | 梱包リール数 NUMBER OF REELS | 製品数 QUANTITY |
| 21 | 32 | 1,000 | 4 (2) | 4,000 (2,000) |
| 22 | | | | |
| 24 | | | | |
| 26 | | | | |
| 28 | | | | |
| 30 | | | | |

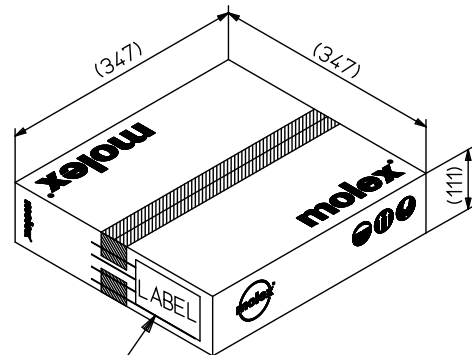
注：（ ）内の数は、少量出荷用カートンを用いた場合の梱包数。
NOTE:“()”NUMBERS ARE APPLICABLE FOR SMALL LOT. SHIPMENT.

3. カートン外形参考寸法 / CARTON OUTER DIMENSIONS (REFERENCE PURPOSE ONLY) 単位 / UNIT: mm



カートンラベル
CARTON LABEL
(製品型番, 数量, ロットNO. 表示)
INDICATION OF PART No., QUANTITY, LOT No.

標準カートン
STANDARD CARTON



カートンラベル
CARTON LABEL
(製品型番, 数量, ロットNO. 表示)
INDICATION OF PART No., QUANTITY, LOT No.

少量出荷用カートン
FOR SMALL LOT. SHIPMENT

| | | | |
|---|------------------|--|-----------------|
| REVISE ON PC ONLY | | TITLE: | |
| F | SEE SHEET 1 OF 2 | 5 2 8 9 3 梱包仕様書 SALES PACKAGING SPEC. FOR 52893 | |
| | REV. DESCRIPTION | THIS DOCUMENT CONTAINS INFORMATION THAT IS PROPRIETARY TO MOLEX LLC. AND SHOULD NOT BE USED WITHOUT WRITTEN PERMISSION | |
| DOCUMENT NUMBER SPK-52893-001 | | FILE NAME SPK52893001.docx | SHEET 2 OF 2 |