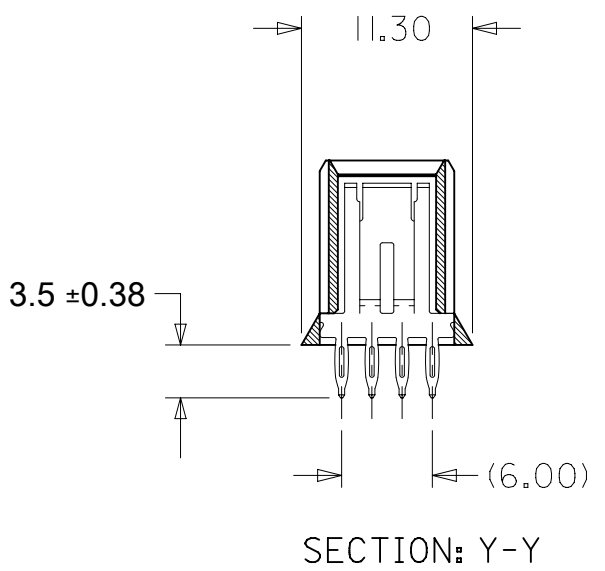
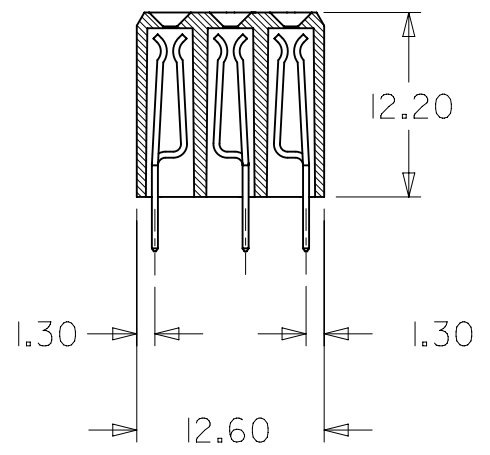
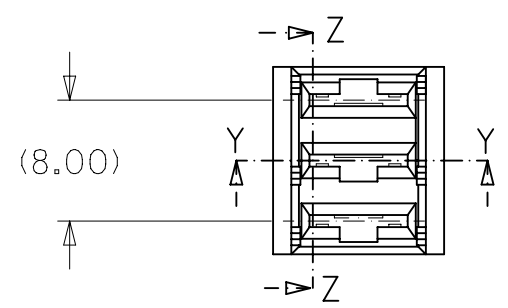
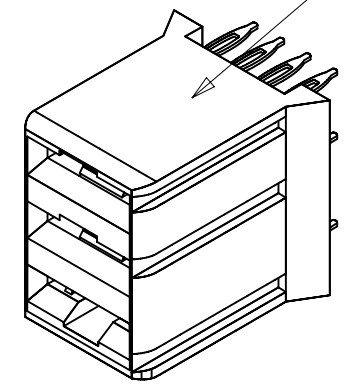


| | |
|-----------------|-------------|
| ASSEMBLY NUMBER | FINISH |
| 73656-0000 | SEE NOTE 2. |
| 73656-0001 | SEE NOTE 3. |

DATE CODE AND PART NUMBER ON THIS SURFACE OR SURFACE OPPOSITE.

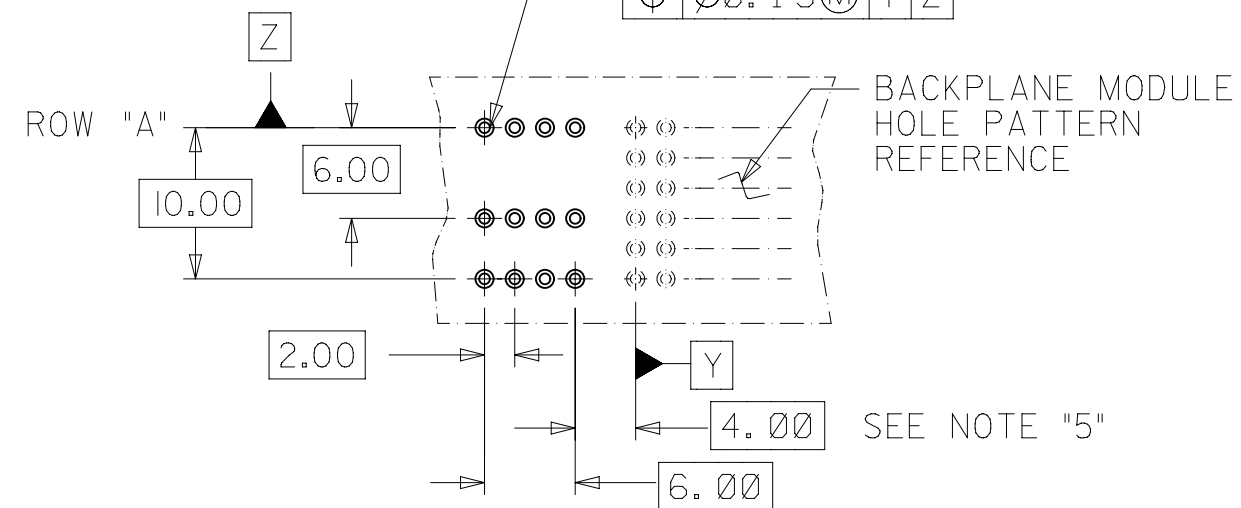


NOTES:

1. MATERIALS: HOUSING - LIQUID CRYSTAL POLYMER (LCP), GLASS-FILLED, UL94V-0, COLOR: BLACK
TERMINAL - COPPER ALLOY
2. FINISH: SELECTIVE GOLD (Au) IN CONTACT AREA, 0.76 micrometer MINIMUM THICKNESS: NICKEL (Ni) AND GOLD FLASH OVERALL
3. FINISH: SELECTIVE GOLD (Au) IN CONTACT AREA, 0.76 micrometer MINIMUM THICKNESS: MATTE TIN (Sn) OVER NICKEL (Ni) IN COMPLIANT AREA: NICKEL (Ni) OVERALL ON REMAINING WITH SELECTIVE GOLD (Au) FLASH.
4. THIS DIMENSION MUST BE A MULTIPLE OF 4.00 mm.
5. DIMENSIONS ARE IN MILLIMETERS.
6. THIS PART CONFORMS TO MOLEX PRODUCT SPECIFICATION PS-73670-9999.
7. PACKAGE ASSEMBLIES PER PK-70873-0819.
8. HOLE SIZE SPECIFICATION IS FOR TIN/LEAD PLATED HOLES ONLY. FOR OTHER PLATING TYPES SEE MOLEX APPLICATION AS-73670-9996.
9. THIS PART CONFORMS TO MOLEX COSMETIC SPECIFICATION PS-45499-002 CLASS B.

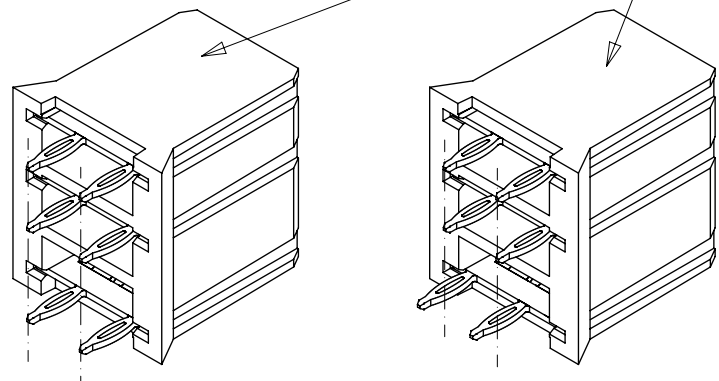
SEE NOTE 8.

Ø 0.838 DRILLED HOLE
Ø 0.80/0.65 PLATED THRU HOLE
Ø 1.20 COPPER PAD
⊕ Ø0.15 (M) Y Z



PCB LAYOUT: COMPONENT SIDE
RECOMMENDED PCB THICKNESS: 2.50 MIN

| | | | | | | | | | |
|---|------------------------|--|--------|-----------------|----------------|--------------|--|--|--|
| THIS DRAWING CONTAINS INFORMATION THAT IS PROPRIETARY TO MOLEX ELECTRONIC TECHNOLOGIES, LLC AND SHOULD NOT BE USED WITHOUT WRITTEN PERMISSION | | | | | | | | | |
| DIMENSION UNITS | SCALE | CURRENT REV DESC: REMOVED OBSOLETE PART NUMBERS AS PER PCN#511698. | | | | | | | |
| mm | 2:1 | | | | | | | | |
| GENERAL TOLERANCES (UNLESS SPECIFIED) | | | | | | | | | |
| ANGULAR TOL | ± 0.5° | SALES ASSY, HDM BACKPLANE POWER MODULE (PRESSFIT) | | | | | | | |
| 4 PLACES | ± | PRODUCT CUSTOMER DRAWING | | | | | | | |
| 3 PLACES | ± | DOCUMENT NUMBER | | | | | | | |
| 2 PLACES | ± 0.13 | SDA-73656-X00X | | | | | | | |
| 1 PLACE | ± 0.25 | DOC TYPE DOC PART REVISION | | | | | | | |
| 0 PLACES | ± | PSD 001 K | | | | | | | |
| DRAFT WHERE APPLICABLE MUST REMAIN WITHIN DIMENSIONS | THIRD ANGLE PROJECTION | DRAWING | SERIES | MATERIAL NUMBER | CUSTOMER | SHEET NUMBER | | | |
| | | B-SIZE | 73656 | SEE TABLES | GENERAL MARKET | 1 OF 3 | | | |



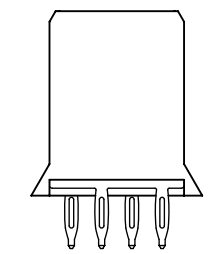
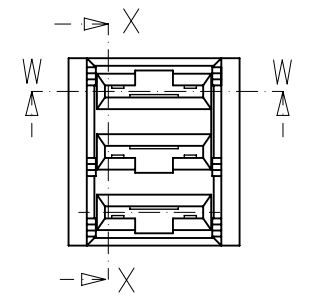
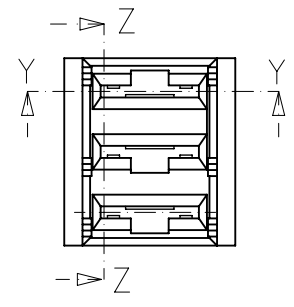
73656-100*

73656-200*

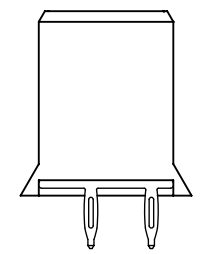
DATE CODE AND
PART NUMBER ON
THIS SURFACE OR
SURFACE OPPOSITE.

MIDPLANE OPTION

| ASSEMBLY NUMBER | FINISH (SEE SHT 1) |
|-----------------|-----------------------------|
| 73656-1000 | SEE NOTE 2. (GOLD TAILS) |

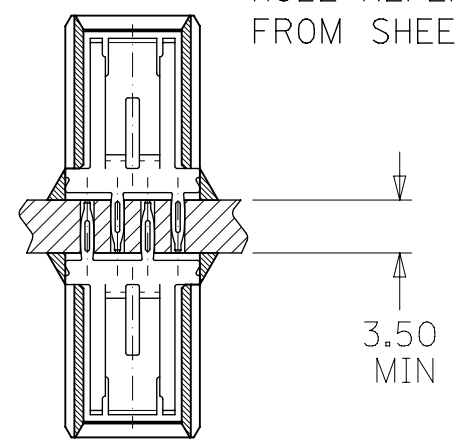


73656-200*

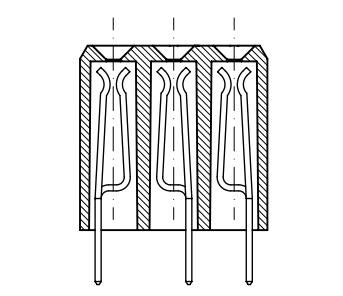


73656-100*

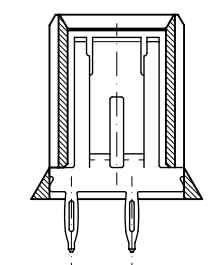
USE BACKPLANE MODULE
HOLE REFERENCE PATTERN
FROM SHEET 1



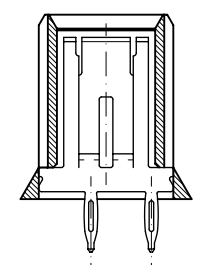
BACK-TO-BACK
MOUNTING APPLICATION



SECTION X-X
SECTION Z-Z
ROTATED 90° CW



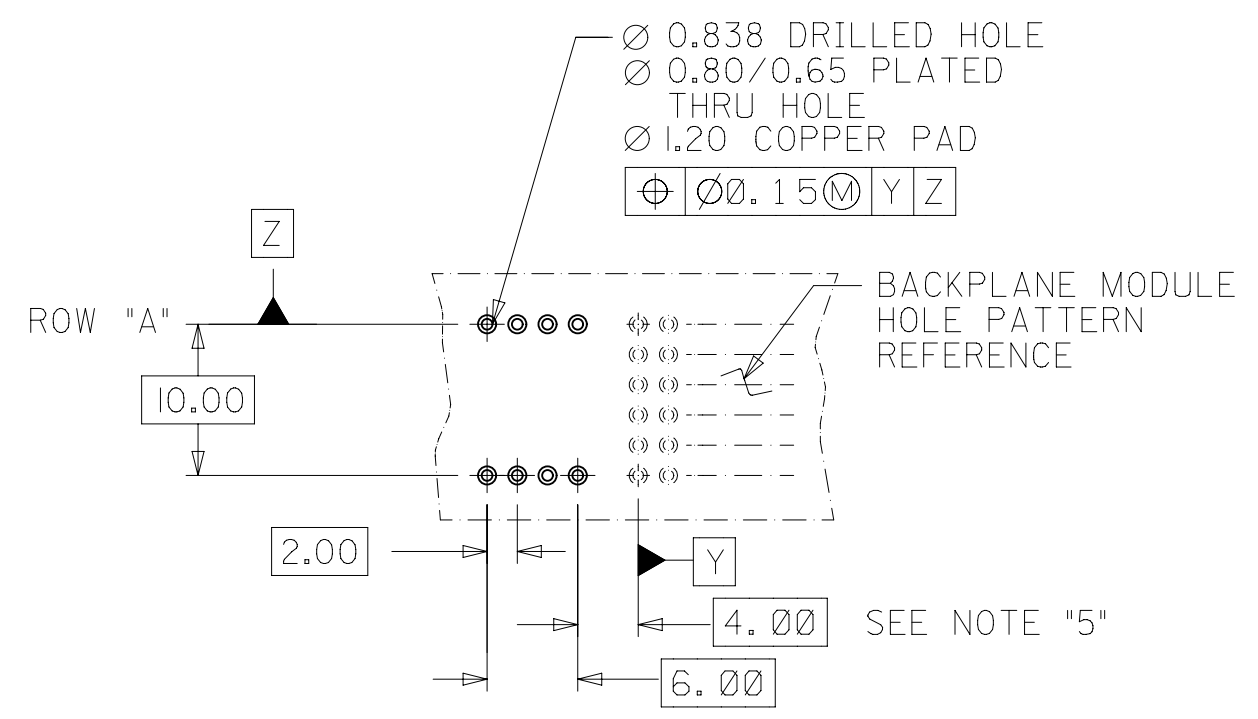
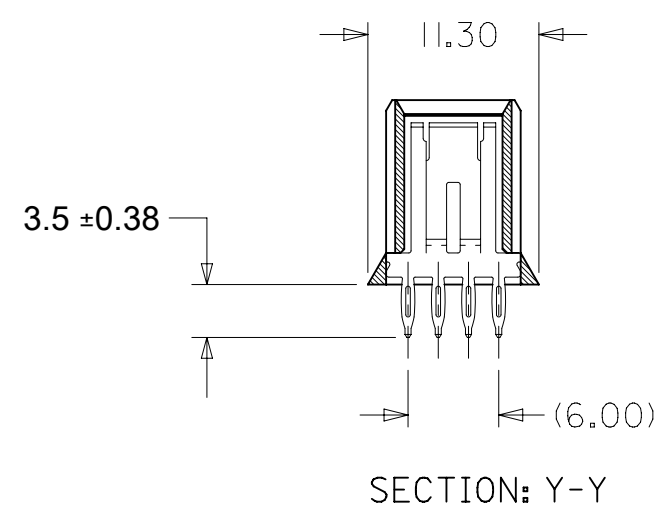
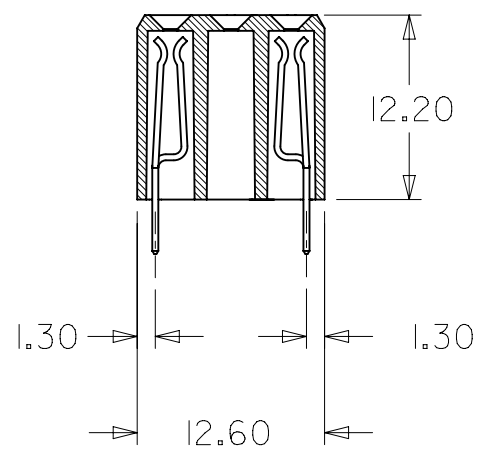
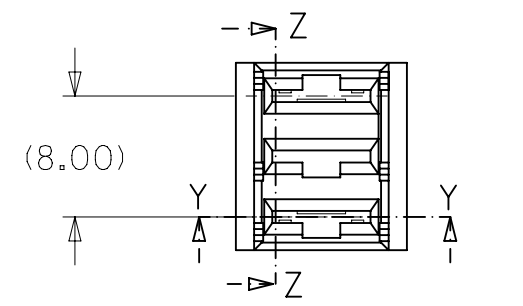
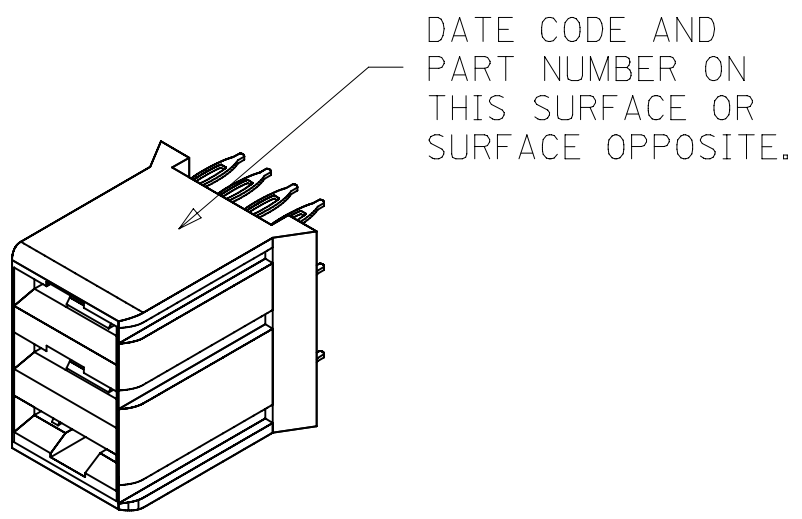
(4.00)
SECTION: Y-Y



(4.00)
SECTION: W-W

| | | | | | | | | | |
|---|---------------------|--|---------|--------|---|----------------|--|--------------|--|
| THIS DRAWING CONTAINS INFORMATION THAT IS PROPRIETARY TO MOLEX ELECTRONIC TECHNOLOGIES, LLC AND SHOULD NOT BE USED WITHOUT WRITTEN PERMISSION | | | | | | | | | |
| DIMENSION UNITS mm | SCALE 2:1 | CURRENT REV DESC: REMOVED OBSOLETE PART NUMBERS AS PER PCN#511698. | | | | | | | |
| GENERAL TOLERANCES (UNLESS SPECIFIED) | | EC NO: 742551 | | | | | | | |
| ANGULAR TOL | ± 0.5° | DRWN: SANTHN 2023/03/30 | | | SALES ASSY , HDM BACKPLANE POWER MODULE (PRESSFIT) | | | | |
| 4 PLACES | ± | CHKD: GGA 2023/05/12 | | | PRODUCT CUSTOMER DRAWING | | | | |
| 3 PLACES | ± | APPR: GGA 2023/05/12 | | | DOCUMENT NUMBER | | | | |
| 2 PLACES | ± 0.13 | INITIAL REVISION: | | | SDA-73656-X00X | | | | |
| 1 PLACE | ± 0.25 | DRWN: TELO 1998/05/21 | | | DOC TYPE DOC PART REVISION | | | | |
| 0 PLACES | ± | APPR: CBIXLER 2000/06/13 | | | PSD 001 K | | | | |
| DRAFT WHERE APPLICABLE MUST REMAIN WITHIN DIMENSIONS | | THIRD ANGLE PROJECTION | DRAWING | SERIES | MATERIAL NUMBER | CUSTOMER | | SHEET NUMBER | |
| | | | B-SIZE | 73656 | SEE TABLES | GENERAL MARKET | | 2 OF 3 | |

| | |
|-----------------|-------------|
| ASSEMBLY NUMBER | FINISH |
| 73656-0180 | SEE NOTE 2. |
| 73656-0181 | SEE NOTE 3. |



| | | | | | | | | | |
|---|--------|---|------------|--|-----------------|--|--|--|--|
| THIS DRAWING CONTAINS INFORMATION THAT IS PROPRIETARY TO MOLEX ELECTRONIC TECHNOLOGIES, LLC AND SHOULD NOT BE USED WITHOUT WRITTEN PERMISSION | | | | | | | | | |
| DIMENSION UNITS | SCALE | CURRENT REV DESC: REMOVED OBSOLETE PART NUMBERS AS PER PCN#511698. | | | | | | | |
| mm | 2:1 | molex SALES ASSY , HDM BACKPLANE POWER MODULE (PRESSFIT) | | | | | | | |
| GENERAL TOLERANCES (UNLESS SPECIFIED) | | | | | | | | | |
| ANGULAR TOL | ± 0.5° | PRODUCT CUSTOMER DRAWING | | | | | | | |
| 4 PLACES | ± | EC NO: 742551 | 2023/03/30 | DOCUMENT NUMBER: SDA-73656-X00X DOC TYPE: PSD DOC PART: 001 REVISION: K | | | | | |
| 3 PLACES | ± | DRWN: SANTHN | 2023/05/12 | | | | | | |
| 2 PLACES | ± 0.13 | CHKD: GGA | 2023/05/12 | MATERIAL NUMBER: SEE TABLES CUSTOMER: GENERAL MARKET SHEET NUMBER: 3 OF 3 | | | | | |
| 1 PLACE | ± 0.25 | APPR: GGA | 2023/05/12 | | | | | | |
| 0 PLACES | ± | INITIAL REVISION: | | 1998/05/21 2000/06/13 | | | | | |
| DRAFT WHERE APPLICABLE MUST REMAIN WITHIN DIMENSIONS | | THIRD ANGLE PROJECTION | DRAWING | SERIES | MATERIAL NUMBER | | | | |
| | | | B-SIZE | 73656 | SEE TABLES | | | | |

| | | | | |
|-----------------|----|--------------|------------|----------|
| DOCUMENT STATUS | P1 | RELEASE DATE | 2023/05/12 | 06:17:10 |
|-----------------|----|--------------|------------|----------|